



US00D428102S

United States Patent [19]

[11] **Patent Number: Des. 428,102**

Flubacher et al.

[45] **Date of Patent: ** Jul. 11, 2000**

[54] **GUN SIGHT**

5,426,882 6/1995 Dornaus 33/243 X
5,836,100 11/1998 Stover 42/100 X

[75] Inventors: **Paul A. Flubacher**, Greenville; **Julius H. Uhlmann**, Huntsville, both of Ala.; **Patricia Wilson**, Plano, Tex.

OTHER PUBLICATIONS

Police Magazine, May 1991, p. 25, "Trijicon Night Sight", upper rt. corner of page.

[73] Assignee: **Highlander Sports, Inc.**, Huntsville, Ala.

Primary Examiner—Louis S. Zarfaz
Assistant Examiner—Monica A. Weingart
Attorney, Agent, or Firm—Nixon & Vanderhye P.C.

[**] Term: **14 Years**

[21] Appl. No.: **29/103,037**

[57] CLAIM

[22] Filed: **Apr. 7, 1999**

The ornamental design for a "gun sight," as shown and described.

[51] **LOC (7) Cl.** **22-01**

DESCRIPTION

[52] **U.S. Cl.** **D22/109; D22/100; D22/108; D22/199**

FIG. 1 is a rear end perspective view showing the new gun sight design;

[58] **Field of Search** D22/100, 108, D22/109, 110, 199; 33/241, 242, 243, 261; 42/100, 102

FIG. 2 is a rear end elevation view thereof;

FIG. 3 is a top plan view thereof;

FIG. 4 is a front end elevation view thereof;

FIG. 5 is a right side elevation view thereof, the left side elevation view being substantially a mirror image thereof; and,

FIG. 6 is a bottom plan view thereof.

[56] References Cited

U.S. PATENT DOCUMENTS

D. 393,306	4/1998	Couper	D22/109
D. 403,734	1/1999	Kay	D22/109
3,698,092	10/1972	Rosenhan	33/241
4,070,763	1/1978	Carts, Jr.	33/241

1 Claim, 2 Drawing Sheets

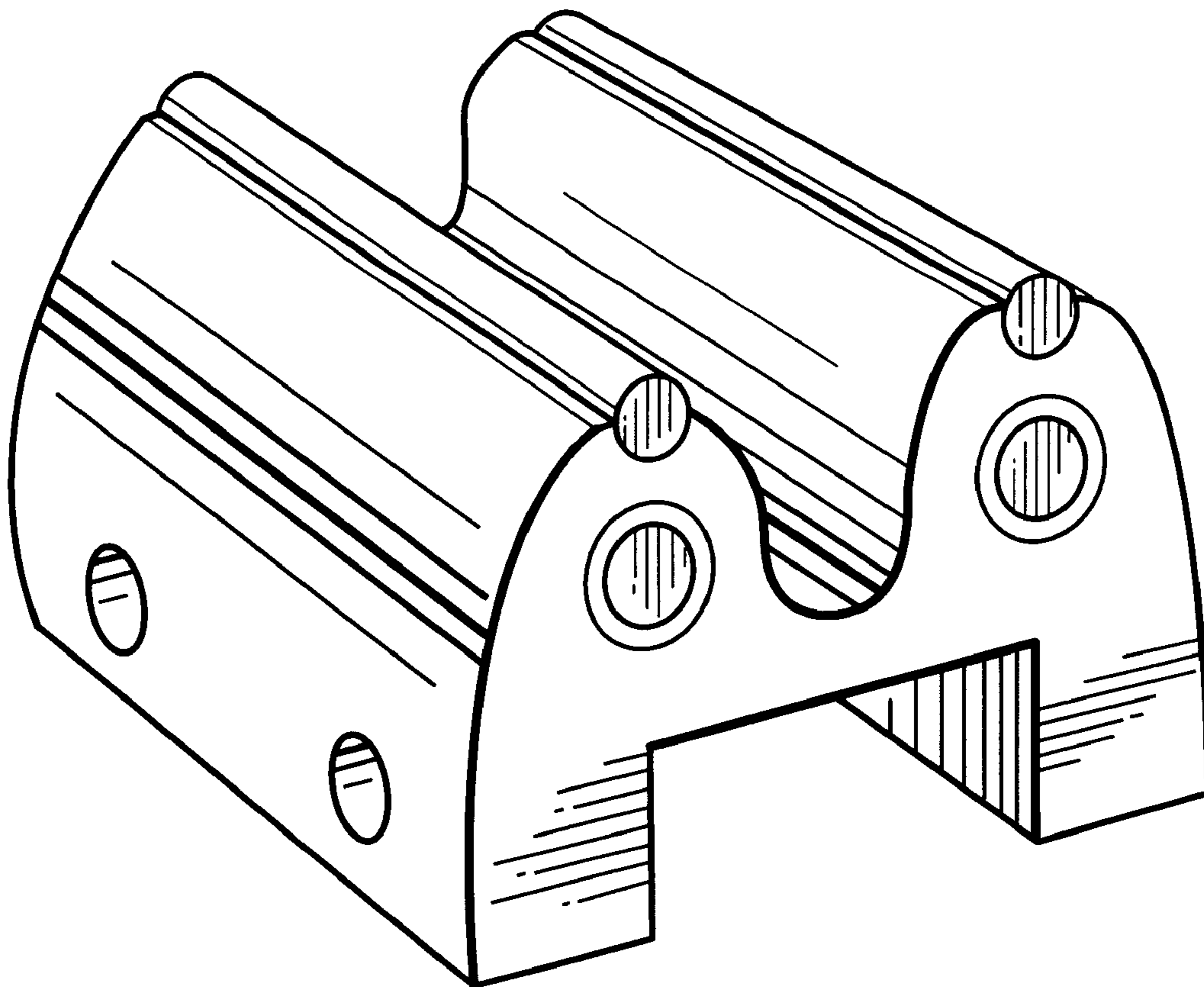


Fig. 1

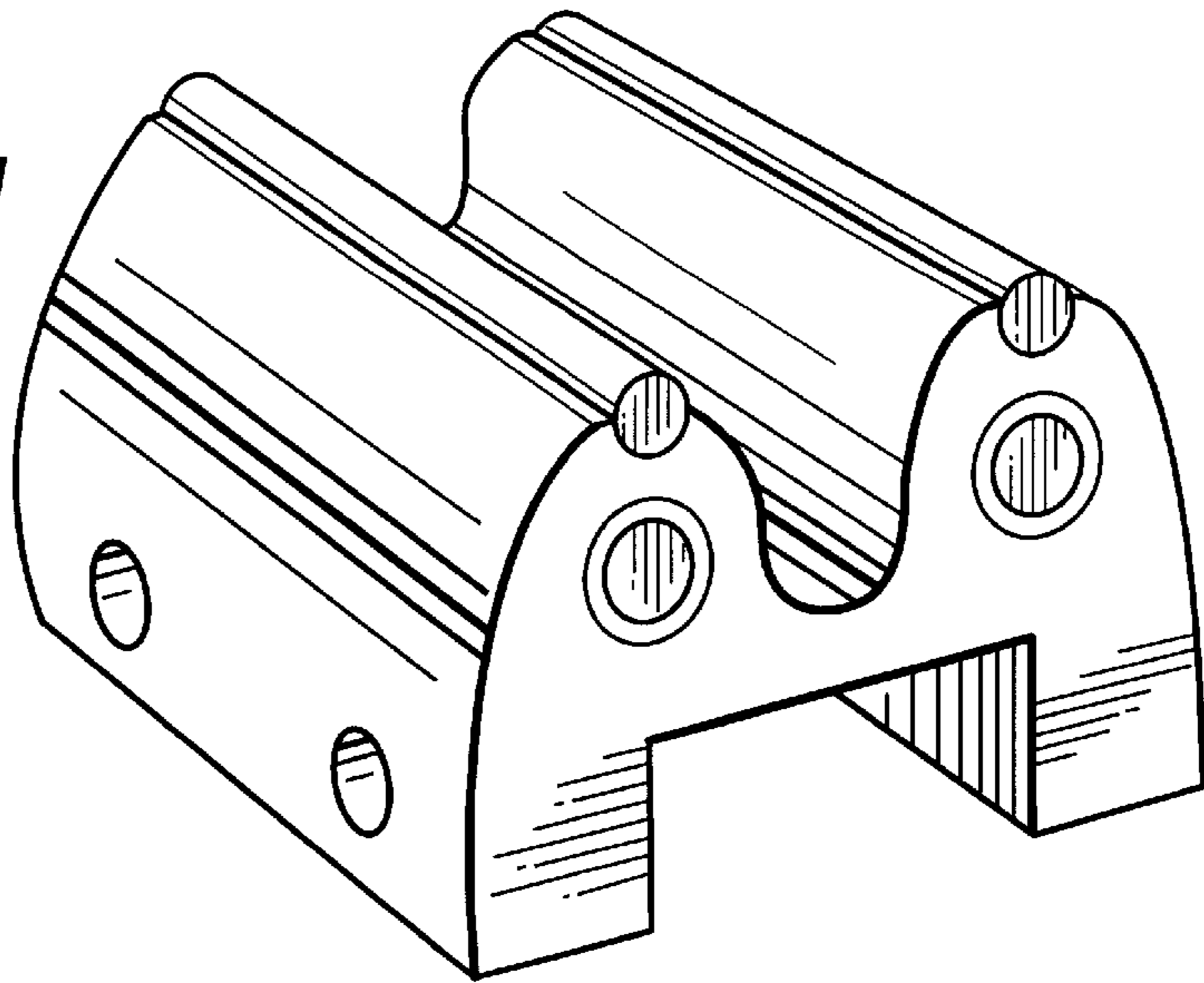


Fig. 2

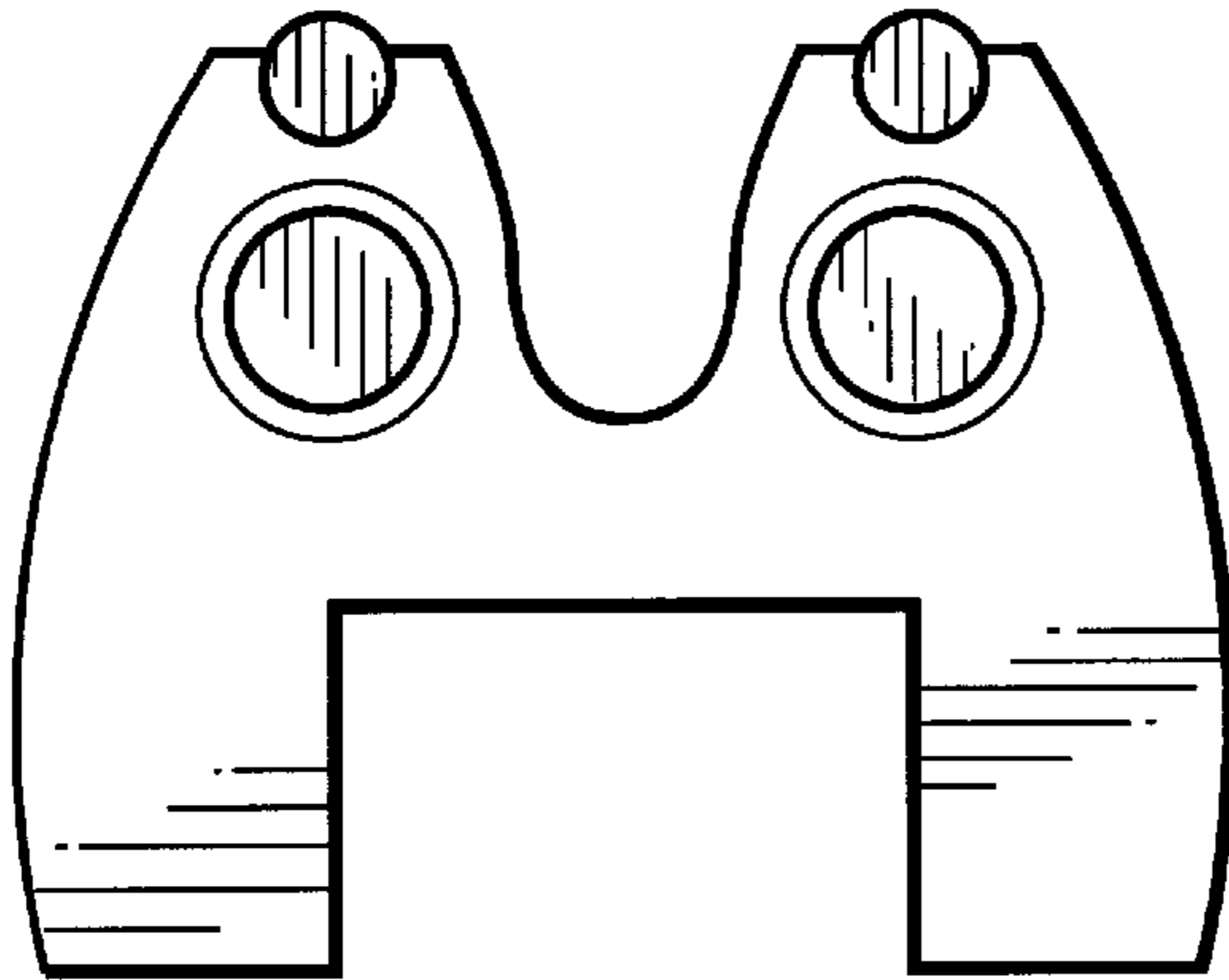
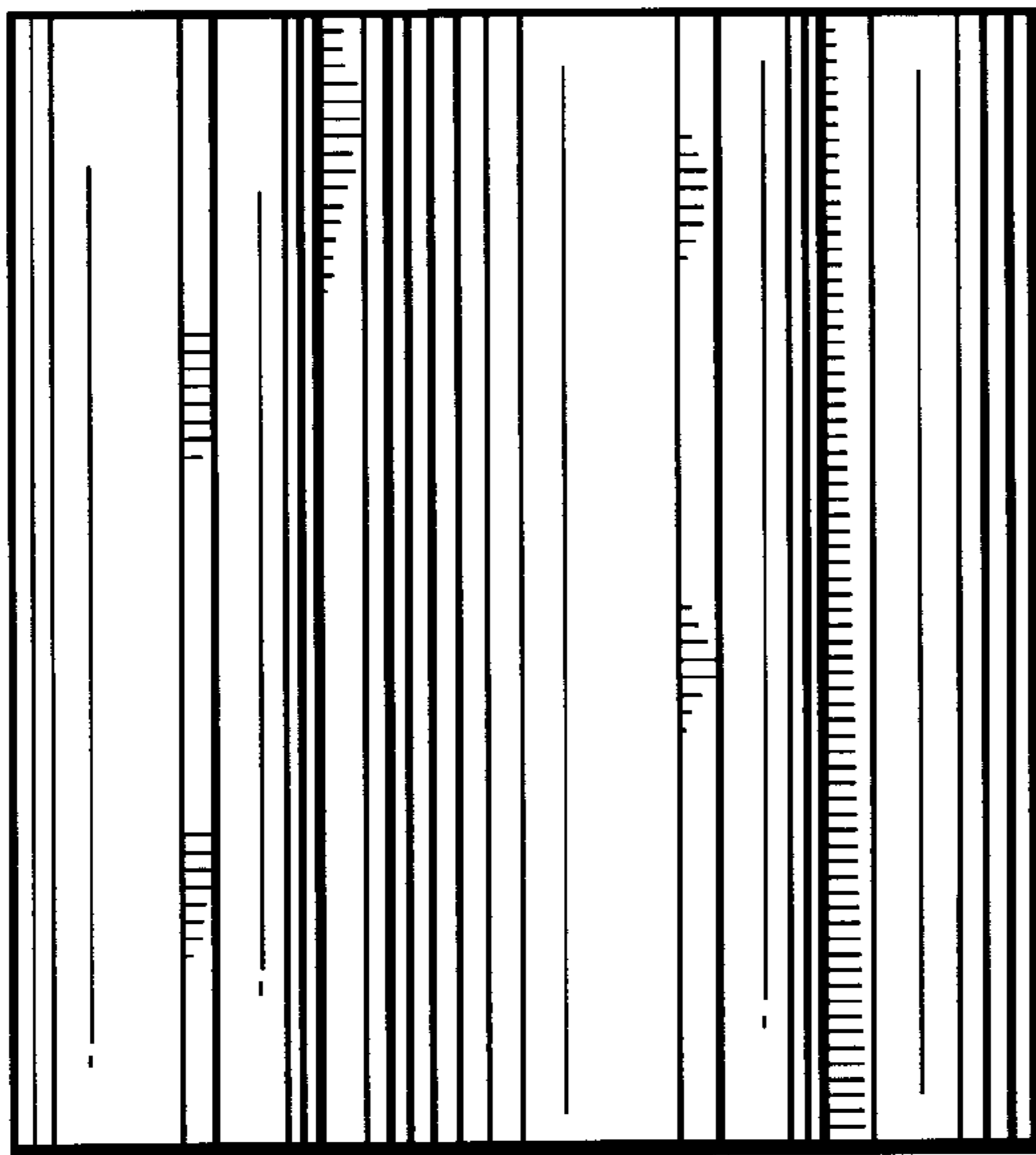


Fig. 3



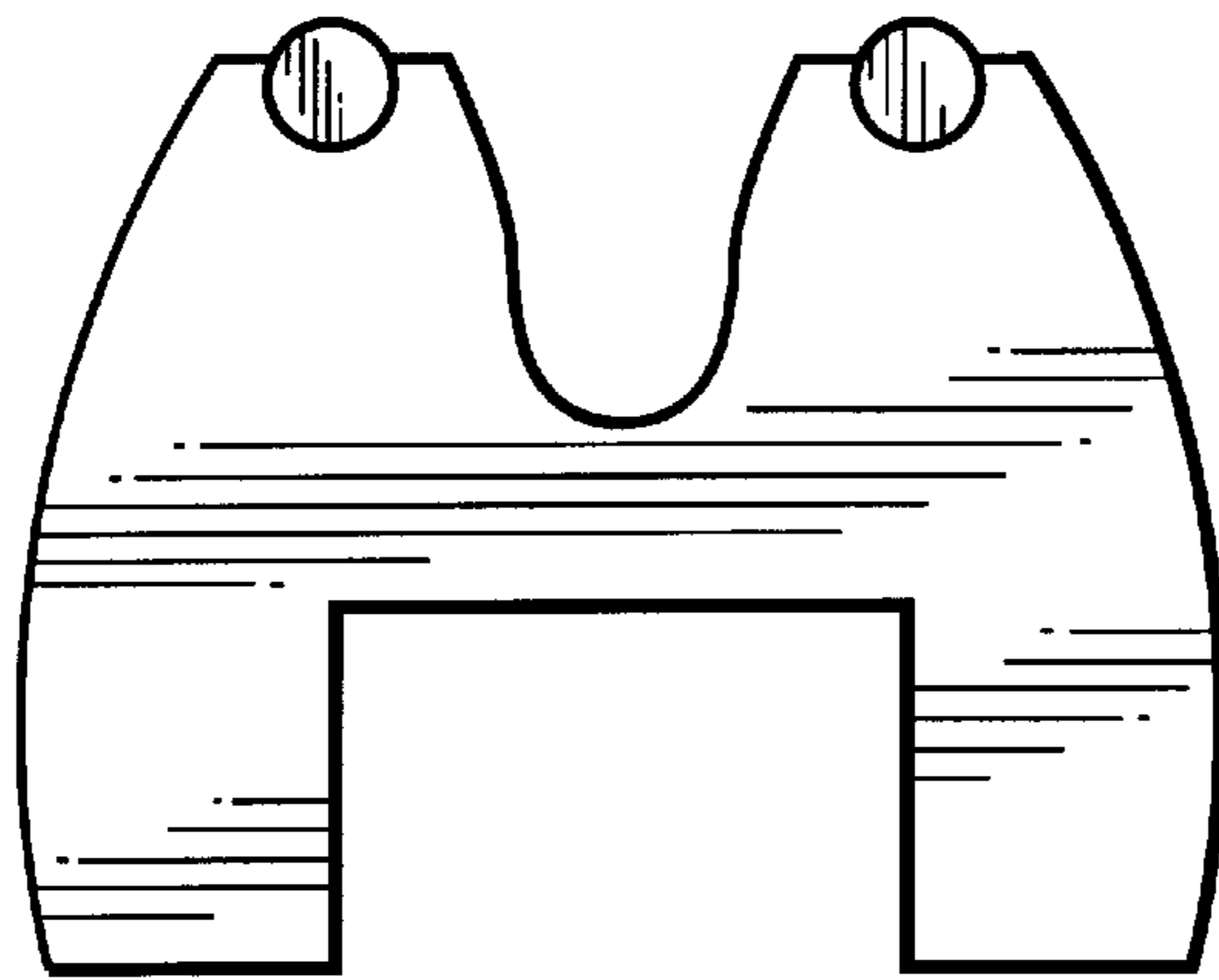


Fig. 4

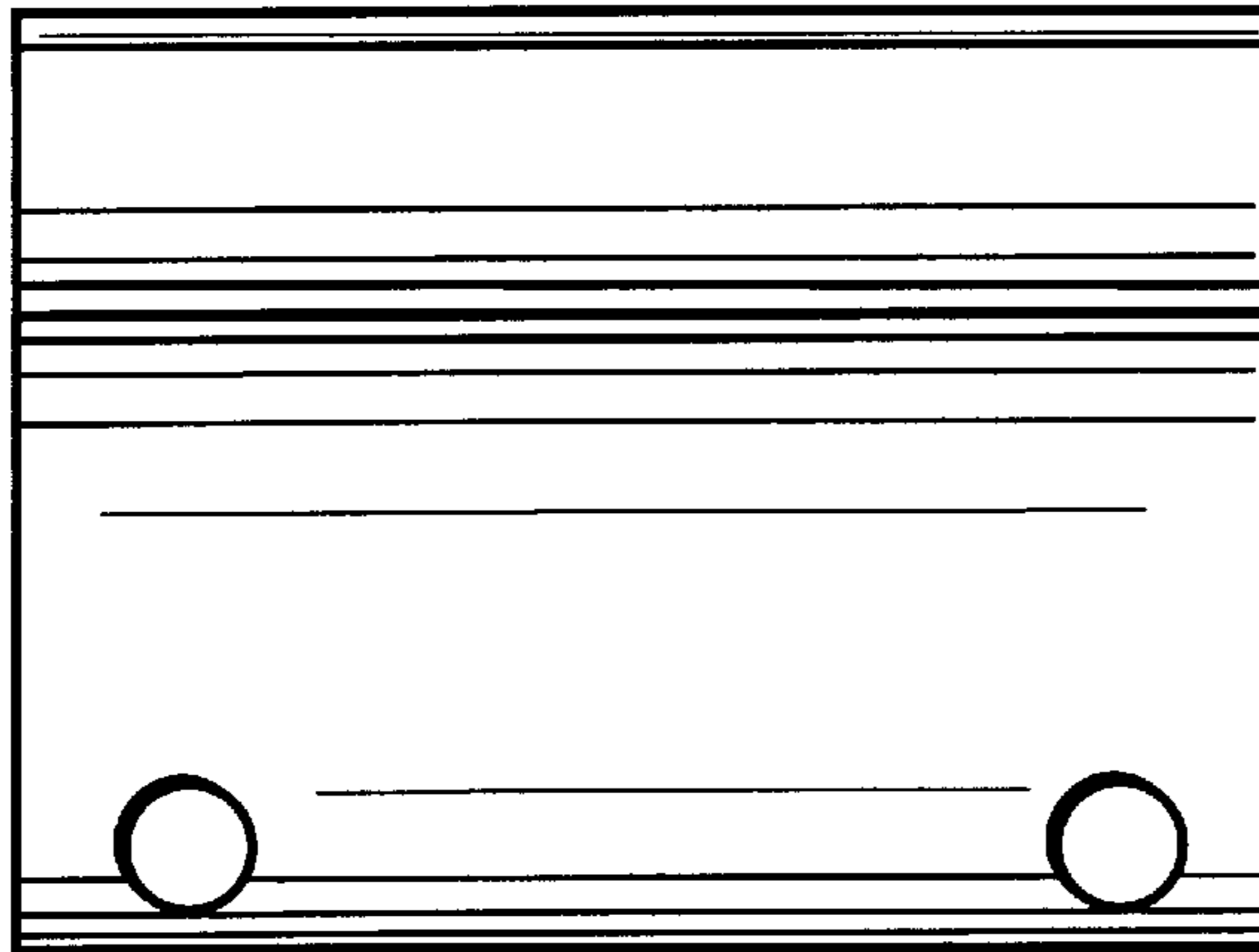


Fig. 5

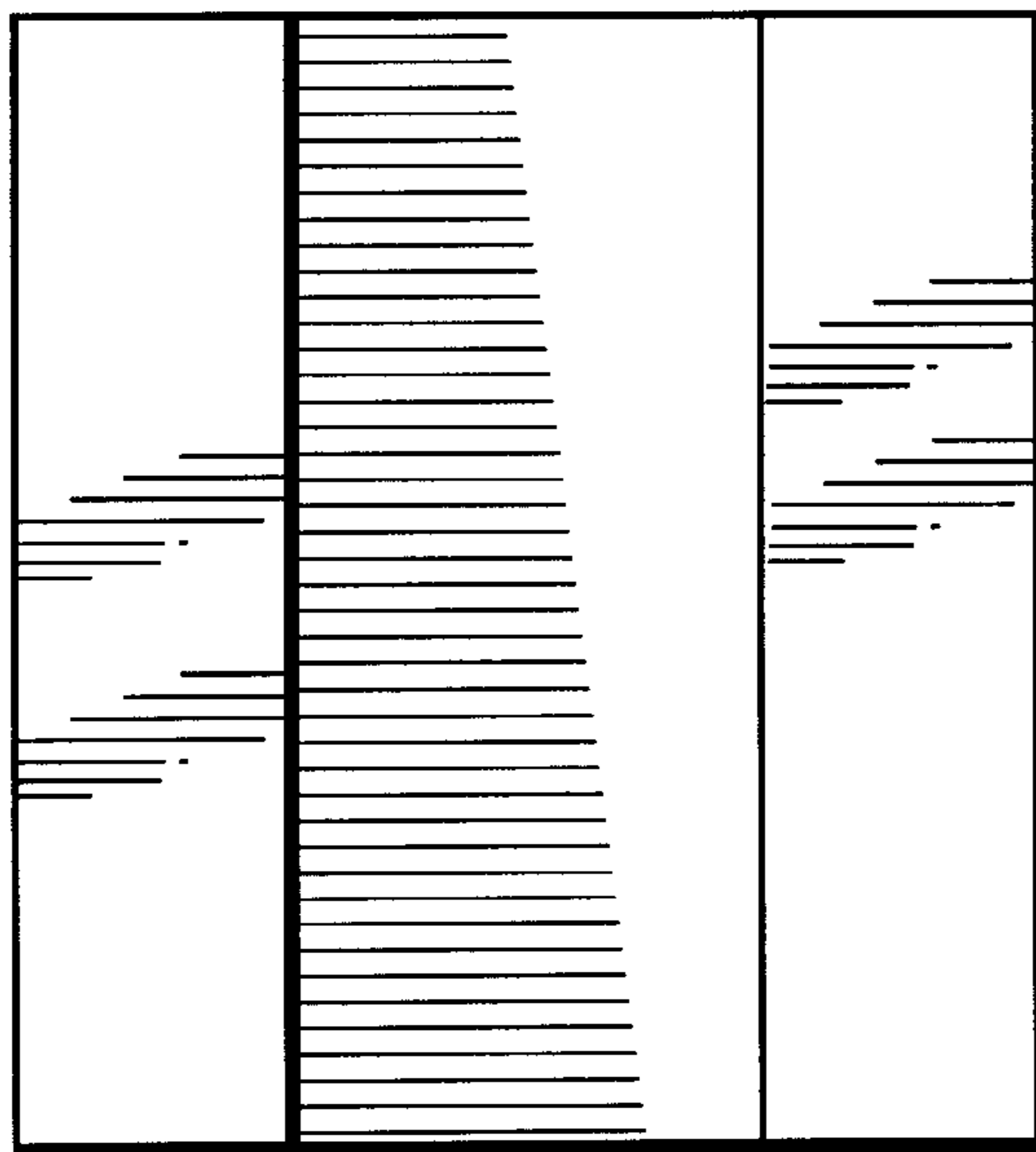


Fig. 6