



US00D428101S

# United States Patent [19]

Rost et al.

[11] Patent Number: Des. 428,101

[45] Date of Patent: \*\* Jul. 11, 2000

[54] **MAGAZINE RELEASE CATCH FOR A PISTOL**

[75] Inventors: **Sebastian Rost**, Dachsen; **Marcel Rutz**, Seuzach, both of Switzerland

[73] Assignee: **SIG Arms International AG**, Neuhausen am Rheinfall, Switzerland

[\*\*] Term: **14 Years**

4,539,770	9/1985	Bornancini .....	42/7
4,573,280	3/1986	Malhotra .	
4,574,509	3/1986	Smith .....	42/7
4,713,902	12/1987	Wigton .....	42/7
4,747,224	5/1988	Smith .....	42/7
5,353,537	10/1994	Mercenier .....	42/7
5,379,541	1/1995	Bammate .....	42/7

[21] Appl. No.: **29/098,996**

[22] Filed: **Jan. 11, 1999**

*Primary Examiner*—Louis S. Zarfaz  
*Assistant Examiner*—Monica A. Weingart  
*Attorney, Agent, or Firm*—Venable; Gabor J. Kelemen

### [30] Foreign Application Priority Data

Jul. 10, 1998 [XH] Hague Agreement ..... DMA/004158

[51] **LOC (7) Cl.** ..... **22-01**

[52] **U.S. Cl.** ..... **D22/108; D22/100; D22/104; D22/199**

[58] **Field of Search** ..... D22/100, 104, D22/108, 199; 42/7, 49.01, 50, 51

### [56] References Cited

#### U.S. PATENT DOCUMENTS

1,397,109	11/1921	Pedersen .	
4,236,337	12/1980	Beretta .	
4,449,311	5/1984	Giragosian .....	42/7
4,521,985	6/1985	Smith et al. ....	42/7

### [57] CLAIM

The ornamental design for a magazine release catch for a pistol, as shown and described.

### DESCRIPTION

FIG. 1 is a right side elevation of a preferred embodiment of the magazine release catch for a pistol showing our new design.

FIG. 2 is a left side elevational view thereof.

FIG. 3 is a front elevational view thereof.

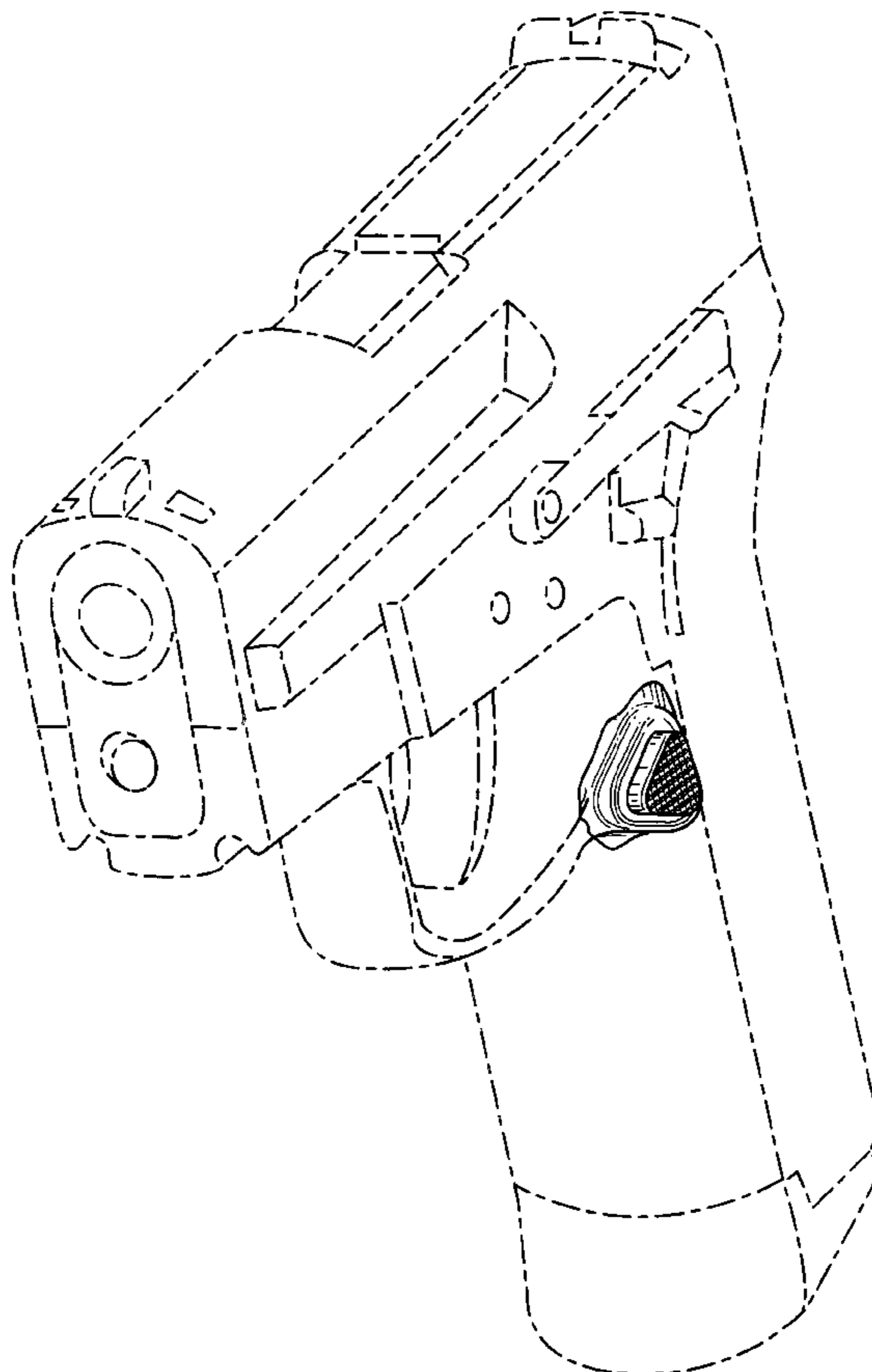
FIG. 4 is a rear elevational view thereof.

FIG. 5 is a top plan view thereof.

FIG. 6 is a bottom plan view thereof; and,

FIG. 7 is a perspective view thereof, as seen from the right. Parts of the pistol shown in broken lines in FIGS. 1-7 do not form part of our design.

**1 Claim, 7 Drawing Sheets**



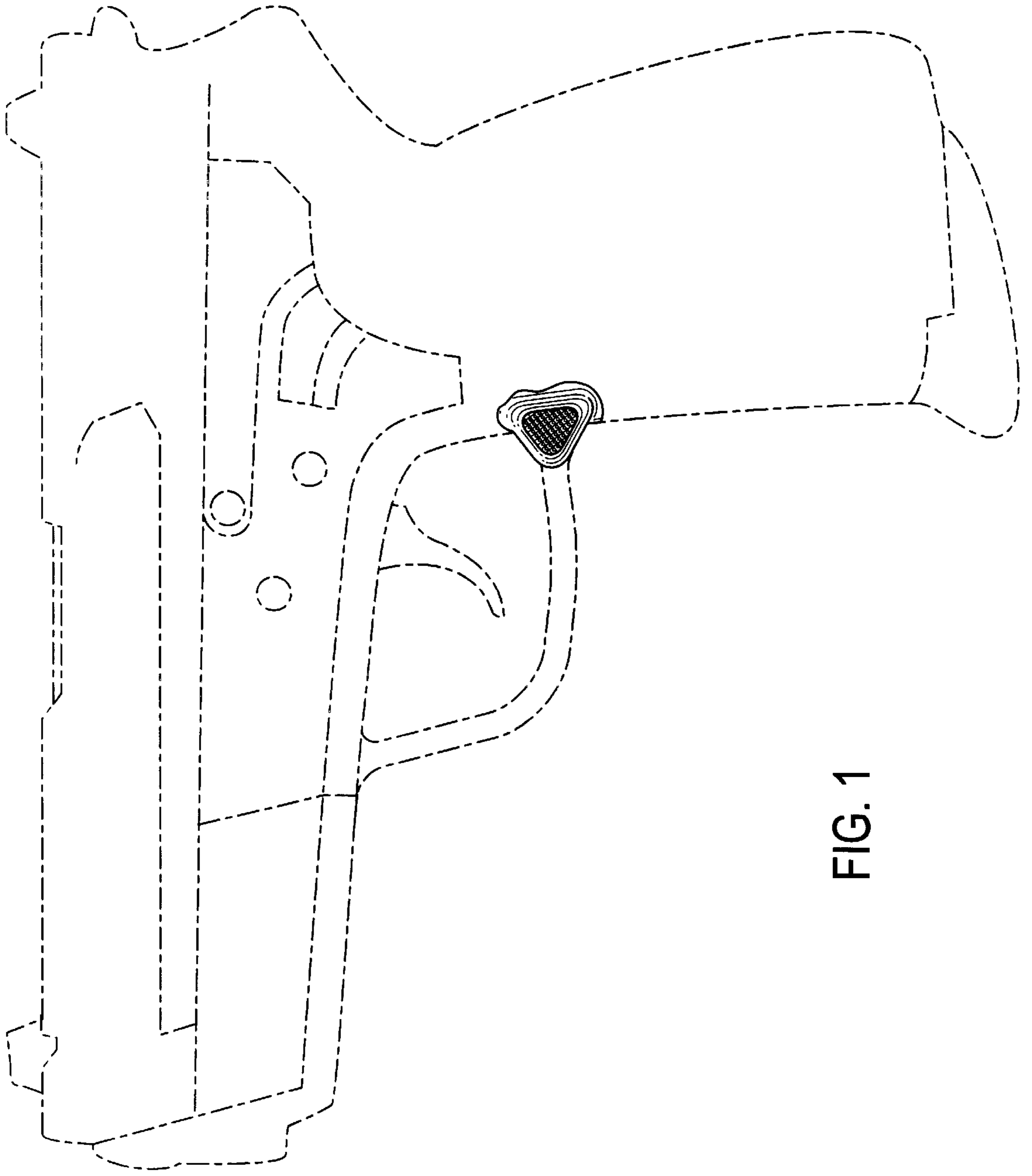


FIG. 1

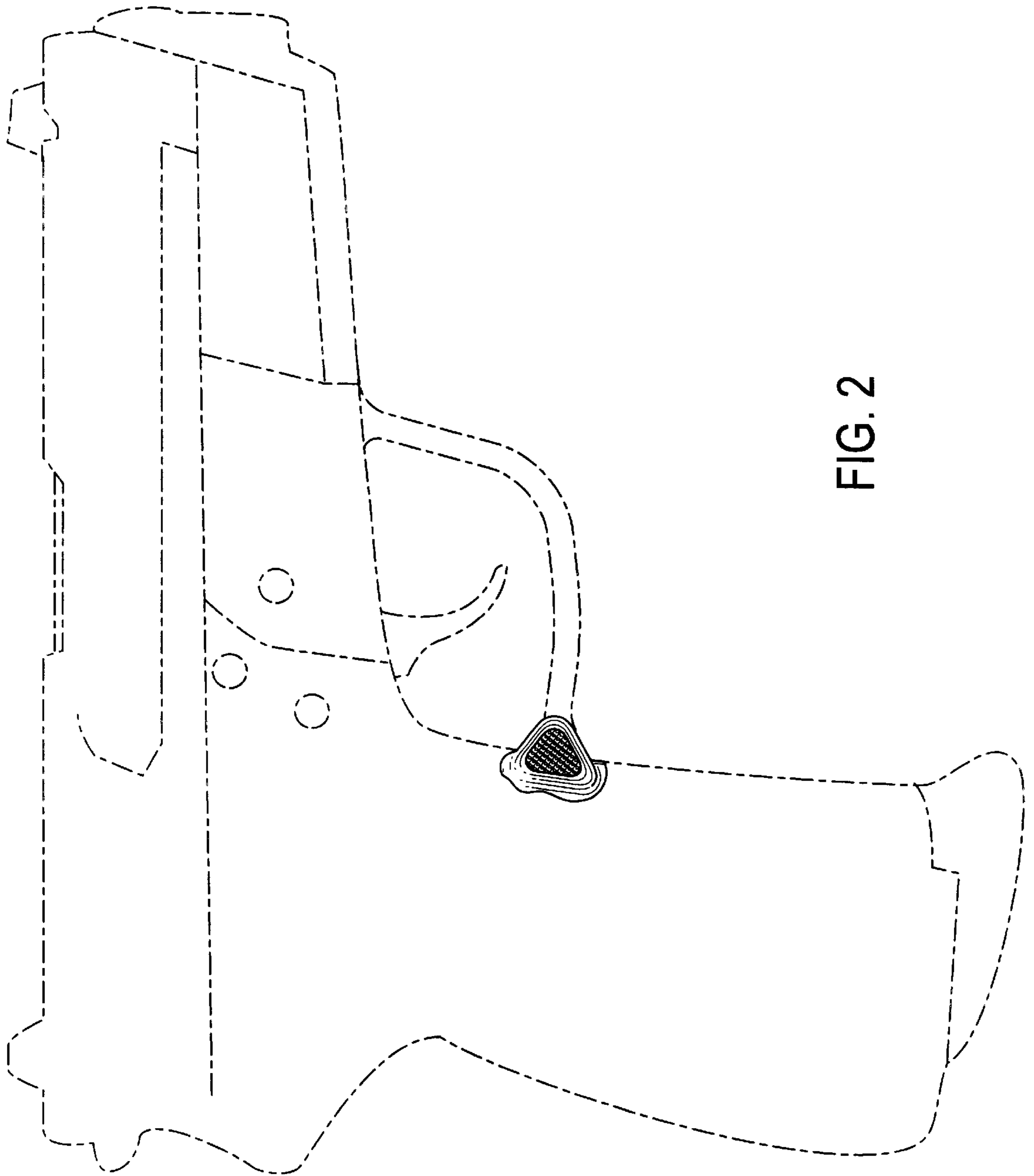


FIG. 2

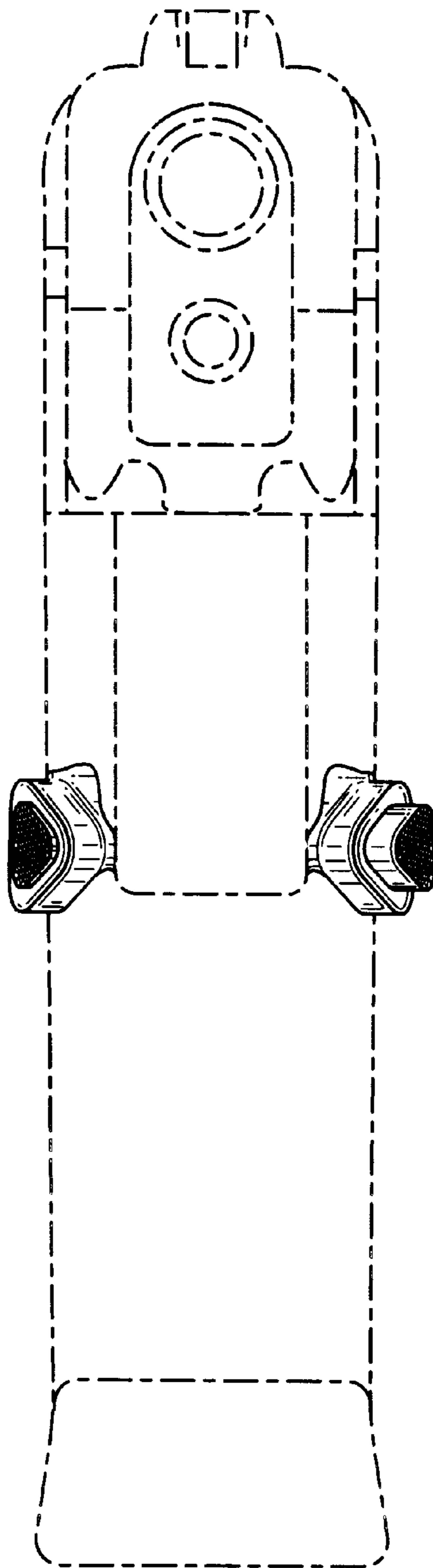


FIG. 3

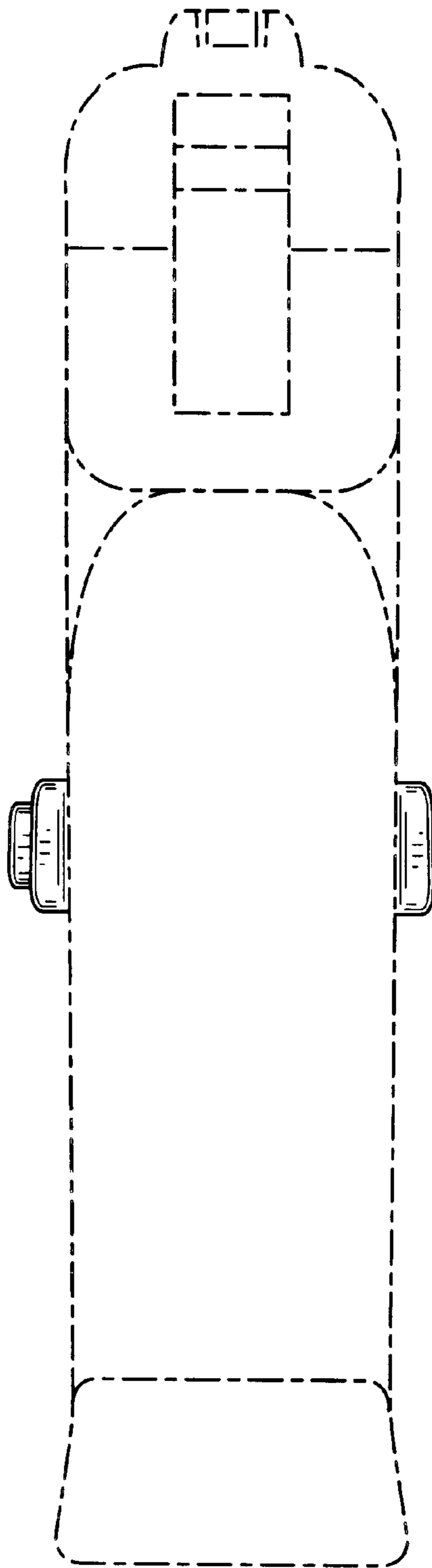


FIG. 4

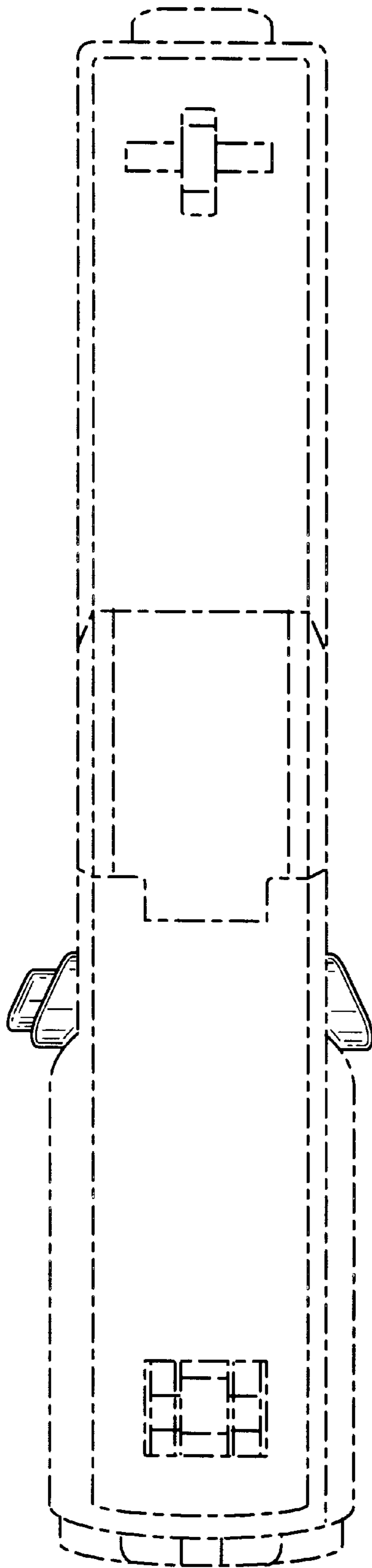


FIG. 5

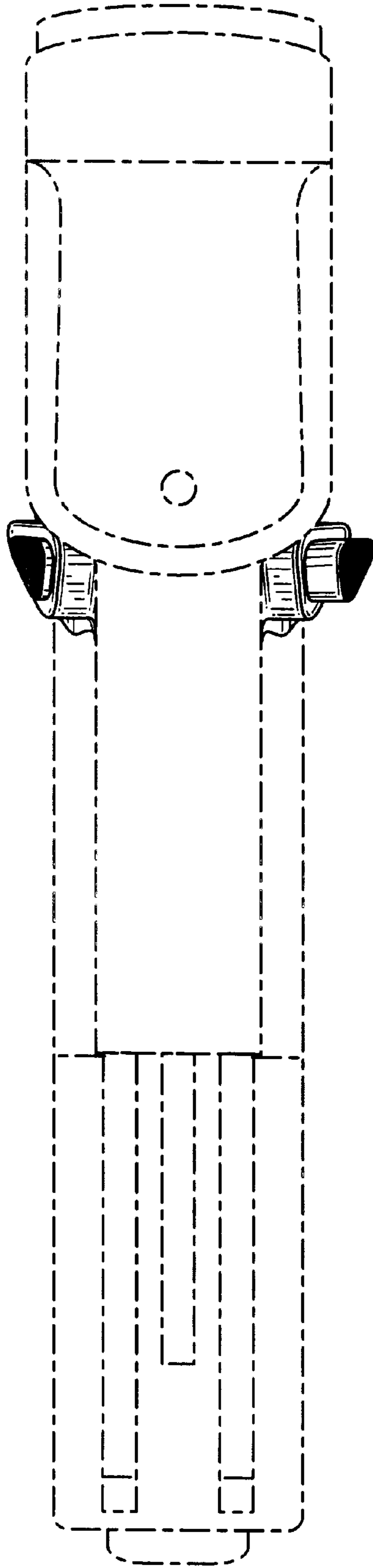


FIG. 6

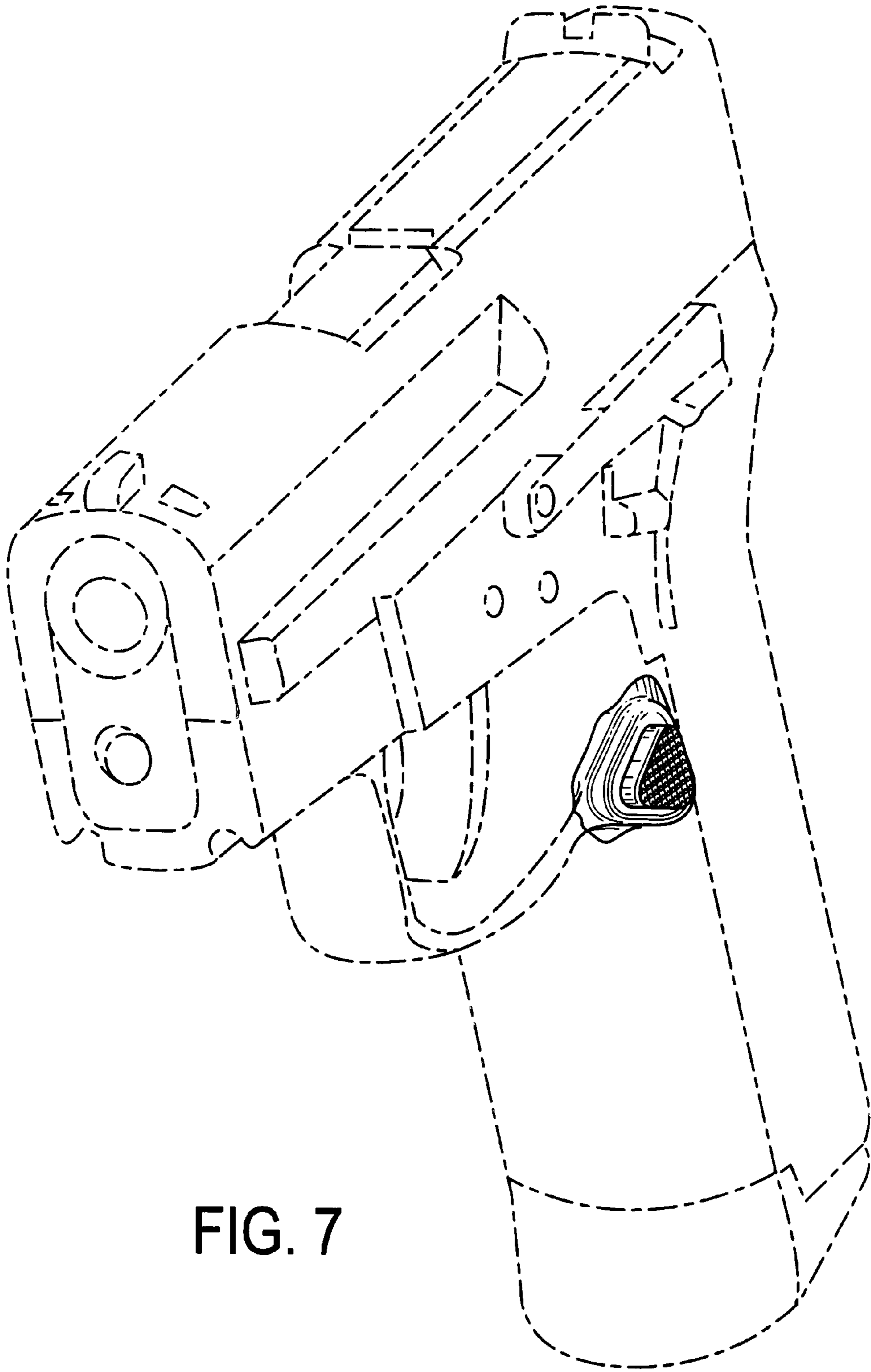


FIG. 7