



US00D428088S

# United States Patent [19]

Cameron et al.

[11] Patent Number: Des. 428,088

[45] Date of Patent: \*\* \*Jul. 11, 2000

## [54] INSERT ON THE STRIKING SURFACE OF A GOLF CLUB HEAD

[75] Inventors: Don T. Cameron, Carlsbad; August L. Slivnik, Vista, both of Calif.

[73] Assignee: Acushnet Company, Fairhaven, Mass.

[\*] Notice: This patent is subject to a terminal disclaimer.

[\*\*] Term: 14 Years

[21] Appl. No.: 29/098,297

[22] Filed: Dec. 23, 1998

[51] LOC (7) Cl. .... 21-02

[52] U.S. Cl. .... D21/759

[58] Field of Search ..... D21/736-746, D21/753, 759; 473/251-256, 324, 327, 328, 330, 331

## [56] References Cited

### U.S. PATENT DOCUMENTS

- Re. 19,178 5/1934 Spiker .
- D. 207,227 3/1967 Solheim .
- D. 234,608 3/1975 Raymont et al. .
- D. 239,951 5/1976 Raymont et al. .
- D. 271,317 11/1983 Bretl .
- D. 294,617 3/1988 Perkins .
- D. 314,029 1/1991 Allen .
- D. 346,002 4/1994 Collins .
- D. 350,582 9/1994 Miansian et al. .
- D. 351,443 10/1994 Caugh et al. .
- D. 356,131 3/1995 Trimble .
- D. 356,844 3/1995 Solheim et al. .
- D. 368,126 3/1996 Magerman et al. .
- D. 373,161 8/1996 Schmidt et al. .
- D. 385,609 10/1997 Cameron .
- D. 385,935 11/1997 Cameron .
- D. 389,207 1/1998 Cameron .
- D. 397,752 9/1998 Cameron .
- 572,436 12/1896 Mills .
- 819,900 5/1906 Martin .
- 873,423 12/1907 Govan .
- 922,444 5/1909 Youds .
- 1,094,599 4/1914 Samson .

(List continued on next page.)

## FOREIGN PATENT DOCUMENTS

18134 8/1902 United Kingdom .

## OTHER PUBLICATIONS

Golf Equipment Universal Catalogue, 1995, Grass Hunter golf clubs, p. 448.

Golf Digest; vol. 13, #12; p. 85; "Black magic" putter.

Golf World; Ray Cook Inc. Brochure; putters B8, B11, XF15S, M1N, M1 and XF15; Apr. 30, 1965, p. 15.

Golf Digest; 80 Honeycomb II, middle right of page, Jan. 1980, p. 114.

Golf Day; p. 25; "Great white from tiger shark", middle left of page.

Ping brochure; p. 2; "BLD" and "MLT" putters; upper left of page.

Golf Digest; p. 104; John Lambert ad on middle left of page.

Golf Digest, p. 76, Jul. 1973, The Solid One, upper left of the page.

Co-pending utility application No. 09/235,806 filed Jan. 22, 1999; entitled: "Golf Club Head with an Insert on the Striking Surface".

Co-pending utility application No. 09/220,083 filed Dec. 23, 1998; entitled: "Golf Club Head with an Insert on the Striking Surface".

Primary Examiner—Mitchell Siegel

Attorney, Agent, or Firm—Pennie & Edmonds LLP

## [57] CLAIM

The ornamental design for an insert on the striking surface of a golf club head, as shown and described.

## DESCRIPTION

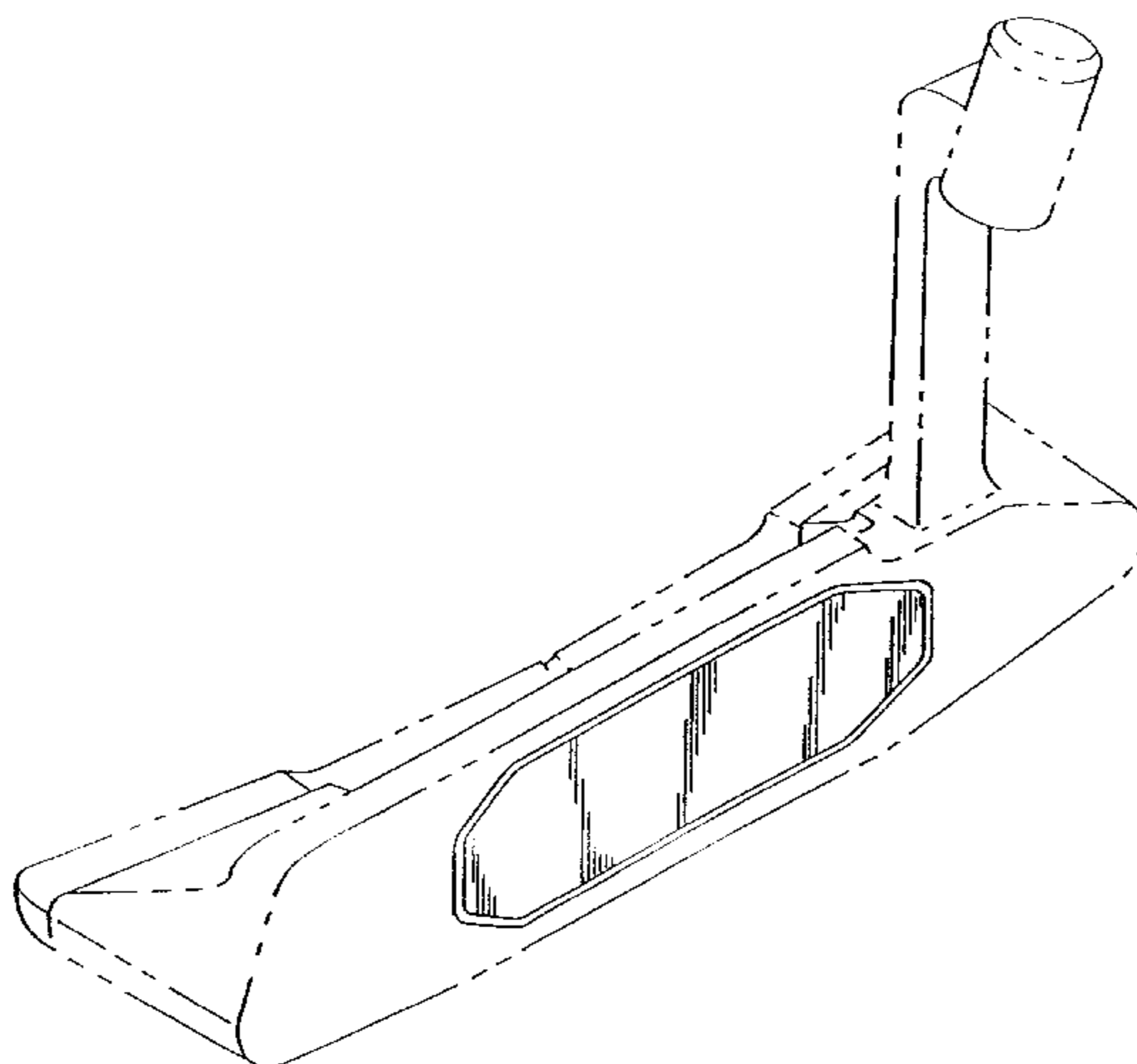
FIG. 1 is a perspective view of an insert on the striking surface of a golf club head of the present invention.

FIG. 2 is a front elevational view thereof; and,

FIG. 3 is a top elevational view thereof.

The broken lines showing portions of the golf club head in FIGS. 1-3 are for illustrative purposes only and form no part of the claimed design.

1 Claim, 2 Drawing Sheets



## U.S. PATENT DOCUMENTS

1,359,220	11/1920	Beamer .	5,078,397	1/1992	Aizawa .
1,383,654	6/1921	Mattern .	5,078,398	1/1992	Reed et al. .
1,562,956	11/1925	Guerne .	5,083,778	1/1992	Douglass .
1,840,451	1/1932	Jansky .	5,143,571	9/1992	Lacoste et al. .
1,854,548	4/1932	Hunt .	5,198,062	3/1993	Chen .
1,968,626	7/1934	Young .	5,299,807	4/1994	Hutin .
2,034,936	3/1936	Barnhart .	5,301,941	4/1994	Allen .
2,429,351	10/1947	Fetterolf .	5,303,922	4/1994	Lo .
2,846,228	8/1958	Reach .	5,332,214	7/1994	Tucker, Sr. .
2,880,002	3/1959	Wetty .	5,342,052	8/1994	Costa .
3,134,596	5/1964	Boznos .	5,346,213	9/1994	Yamada .
3,172,667	3/1965	Baker et al. .	5,348,302	9/1994	Sasamoto et al. .
3,211,455	10/1965	Hyden .	5,354,059	10/1994	Stuff .
3,218,072	11/1965	Burr .	5,362,055	11/1994	Rennie .
3,695,618	10/1972	Woolley et al. .	5,398,929	3/1995	Kitaichi .
3,817,522	6/1974	Simmons .	5,403,007	4/1995	Chen .
3,819,180	6/1974	Murphy .	5,405,137	4/1995	Vincent et al. .
3,863,932	2/1975	Lezatte .	5,407,202	4/1995	Igarashi .
3,975,023	8/1976	Inamori .	5,425,535	6/1995	Gee .
3,989,248	11/1976	Campau .	5,431,396	7/1995	Shieh .
4,121,832	10/1978	Ebbing .	5,433,440	7/1995	Lin .
4,156,526	5/1979	Huggins et al. .	5,447,311	9/1995	Viollaz et al. .
4,193,601	3/1980	Reid, Jr. et al. .	5,458,332	10/1995	Fisher .
4,195,842	4/1980	Coleman .	5,472,201	12/1995	Aizawa et al. .
4,199,144	4/1980	Skelly .	5,497,993	3/1996	Shan .
4,422,638	12/1983	Tucker .	5,529,543	6/1996	Beaumont, Sr. .
4,573,685	3/1986	Young, IV et al. .	5,575,472	11/1996	Magerman et al. .
4,679,792	7/1987	Straza et al. .	5,601,501	2/1997	Kobayashi .
4,681,322	7/1987	Straza et al. .	5,603,667	2/1997	Ezaki et al. .
4,730,830	3/1988	Tilley .	5,674,132	10/1997	Fisher .
4,792,140	12/1988	Yamaguchi et al. .	5,676,605	10/1997	Kobayashi .
4,811,950	3/1989	Kobayashi .	5,690,562	11/1997	Sturm .
4,883,275	11/1989	Boone .	5,707,302	1/1998	Leon et al. .
4,930,781	6/1990	Allen .	5,713,800	2/1998	Su .
5,004,242	4/1991	Iwanaga et al. .	5,735,755	4/1998	Kobayashi .
5,060,951	10/1991	Allen .	5,766,093	6/1998	Rohrer .
5,064,197	11/1991	Eddy .	5,766,094	6/1998	Mahaffey et al. .
			5,772,527	6/1998	Liu .

FIG. 1

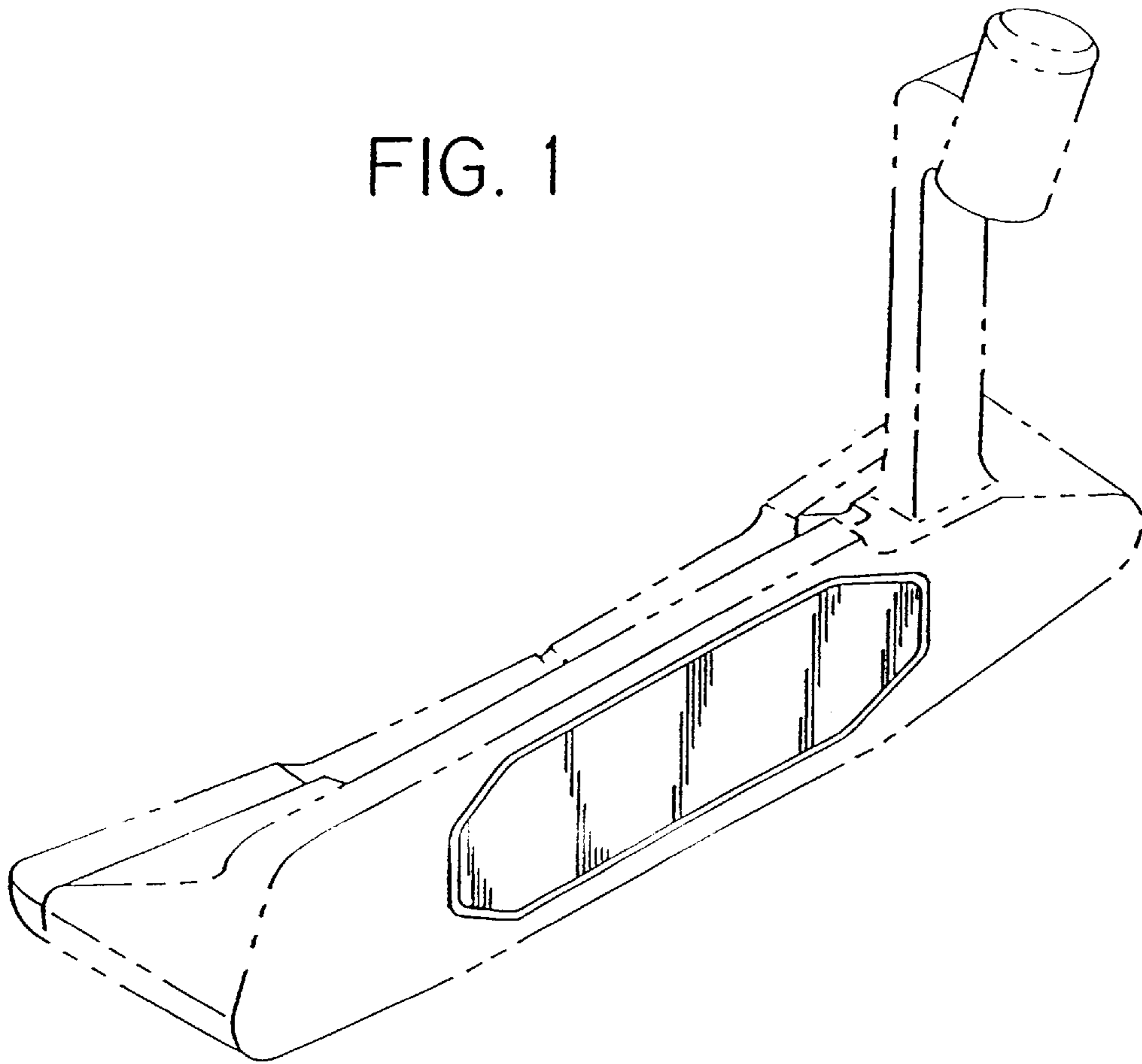
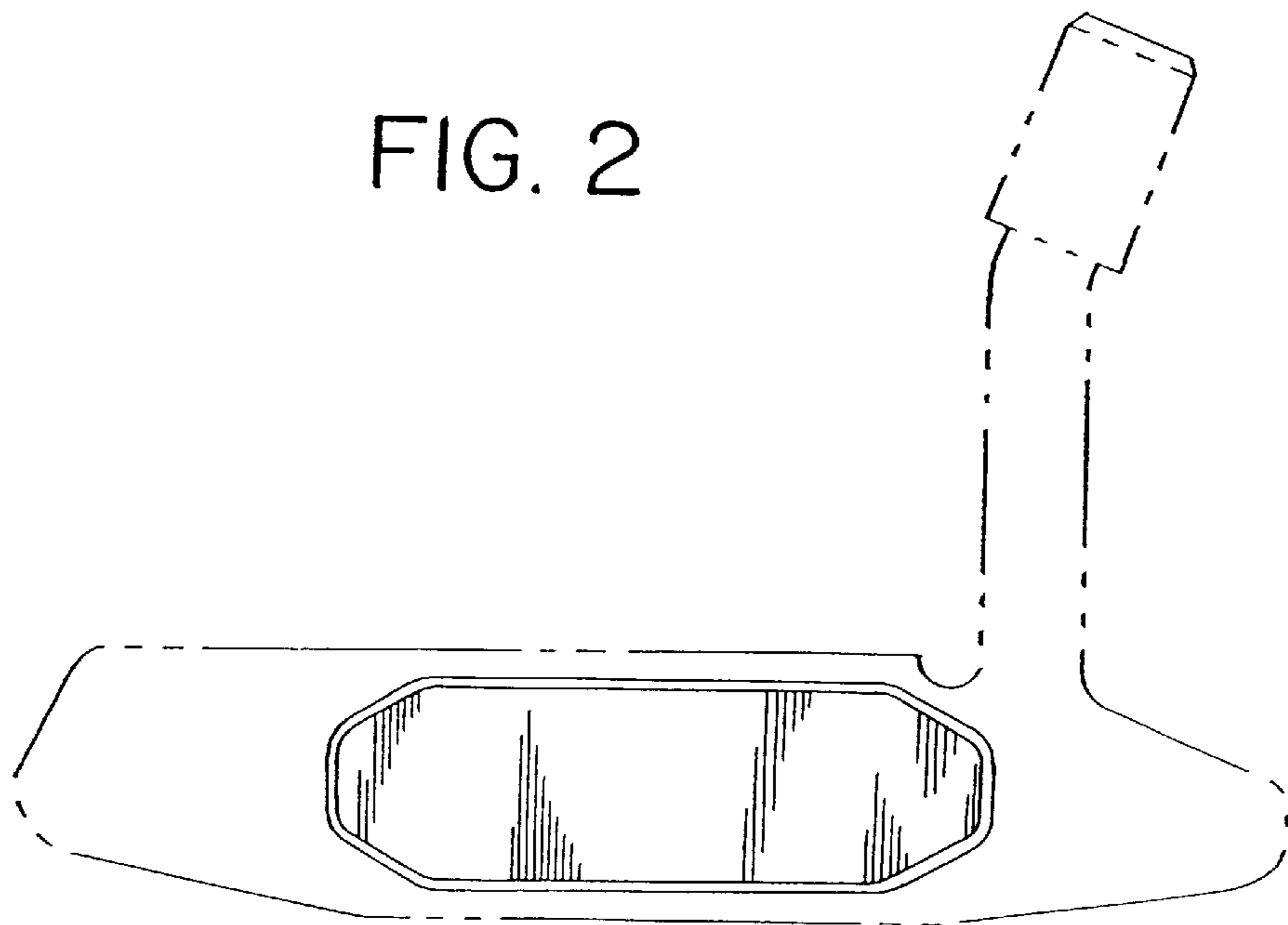


FIG. 2



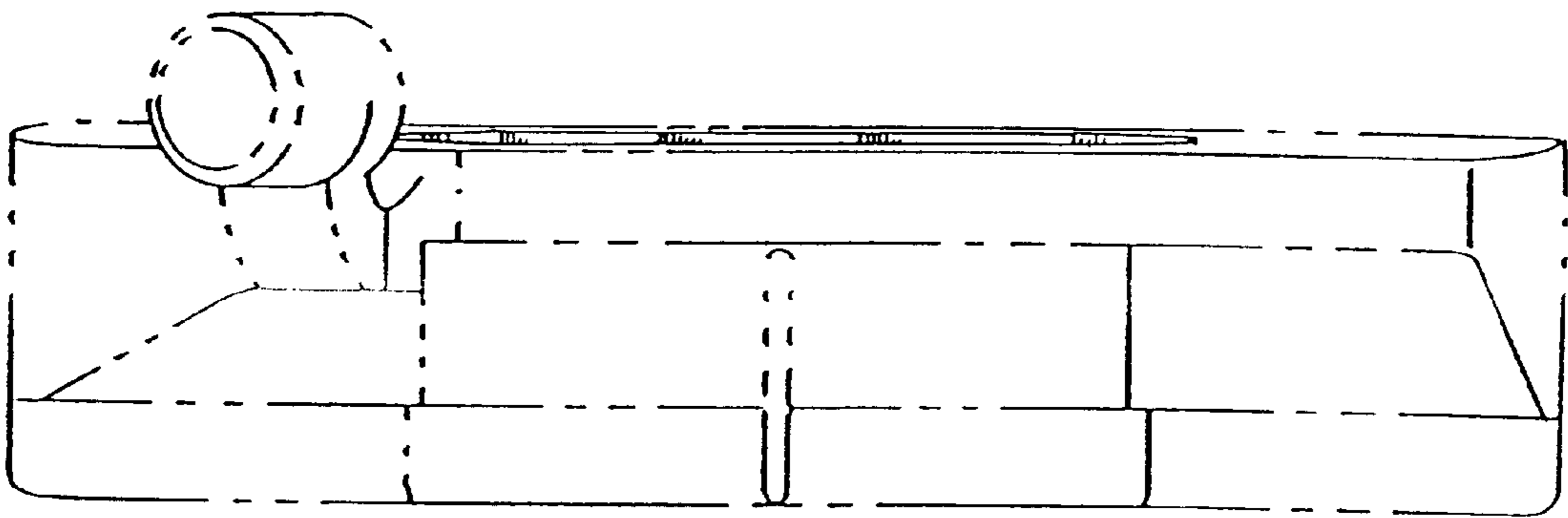


FIG. 3