



US00D428085S

United States Patent [19] Kirch

[11] **Patent Number: Des. 428,085**

[45] **Date of Patent: ** Jul. 11, 2000**

[54] **PET BALL SCOOP**

[75] Inventor: **Robert Kirch**, Aurora, Colo.

[73] Assignee: **Aspen Pet Products, Inc.**, Denver, Colo.

[**] Term: **14 Years**

[21] Appl. No.: **29/100,020**

[22] Filed: **Feb. 2, 1999**

[51] **LOC (7) Cl.** **21-02**

[52] **U.S. Cl.** **D21/722**

[58] **Field of Search** D21/722, 723;
124/5

[56] **References Cited**

U.S. PATENT DOCUMENTS

D. 72,656	5/1927	Abrahams	D21/723
D. 183,084	6/1958	Carlson	D21/722
D. 244,306	5/1977	Bisch	D34/5 CT
D. 269,536	6/1983	Amos	D21/722
D. 269,794	7/1983	Amos	D21/722
D. 269,795	7/1983	Amos	D21/722

D. 269,891	7/1983	Amos	D21/722
D. 269,892	7/1983	Amos	D21/722
D. 269,893	7/1983	Amos	D21/722
4,045,026	8/1977	Gillespie et al.	273/96 R
4,254,979	3/1981	Bau	294/1 BA

Primary Examiner—Mitchell Siegel
Attorney, Agent, or Firm—Wolf, Greenfield & Sacks, P.C.

[57] **CLAIM**

The ornamental design for a pet ball scoop, as shown and described.

DESCRIPTION

FIG. 1 is a side, top perspective view of the pet ball scoop, the broken line showing of the handle is for illustrative purposes only and forms no part of the claimed design.

FIG. 2 is a top view thereof;

FIG. 3 is a bottom view thereof;

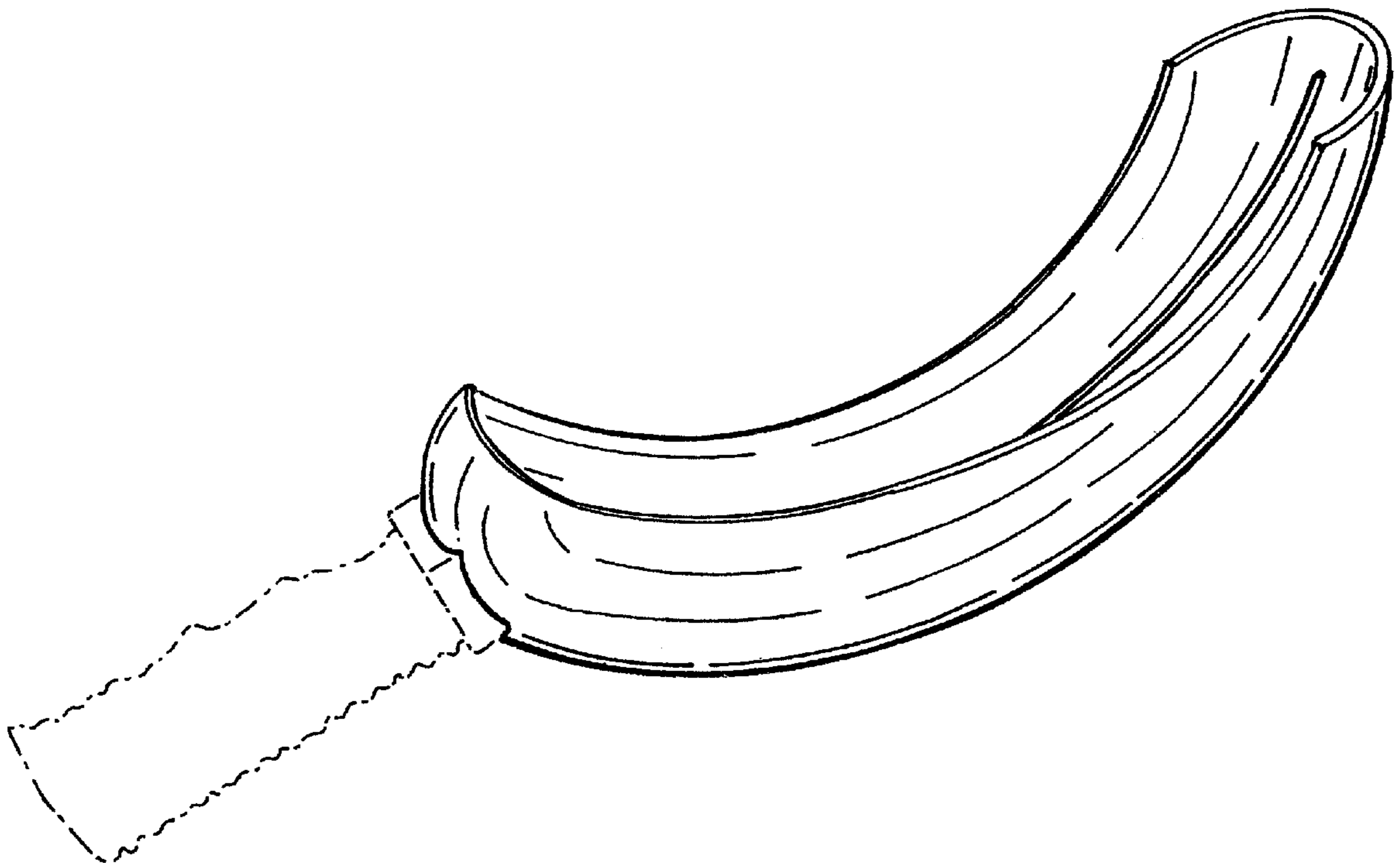
FIG. 4 is a front view thereof;

FIG. 5 is a rear view thereof;

FIG. 6 is a left side view thereof; and,

FIG. 7 is a right side view thereof.

1 Claim, 3 Drawing Sheets



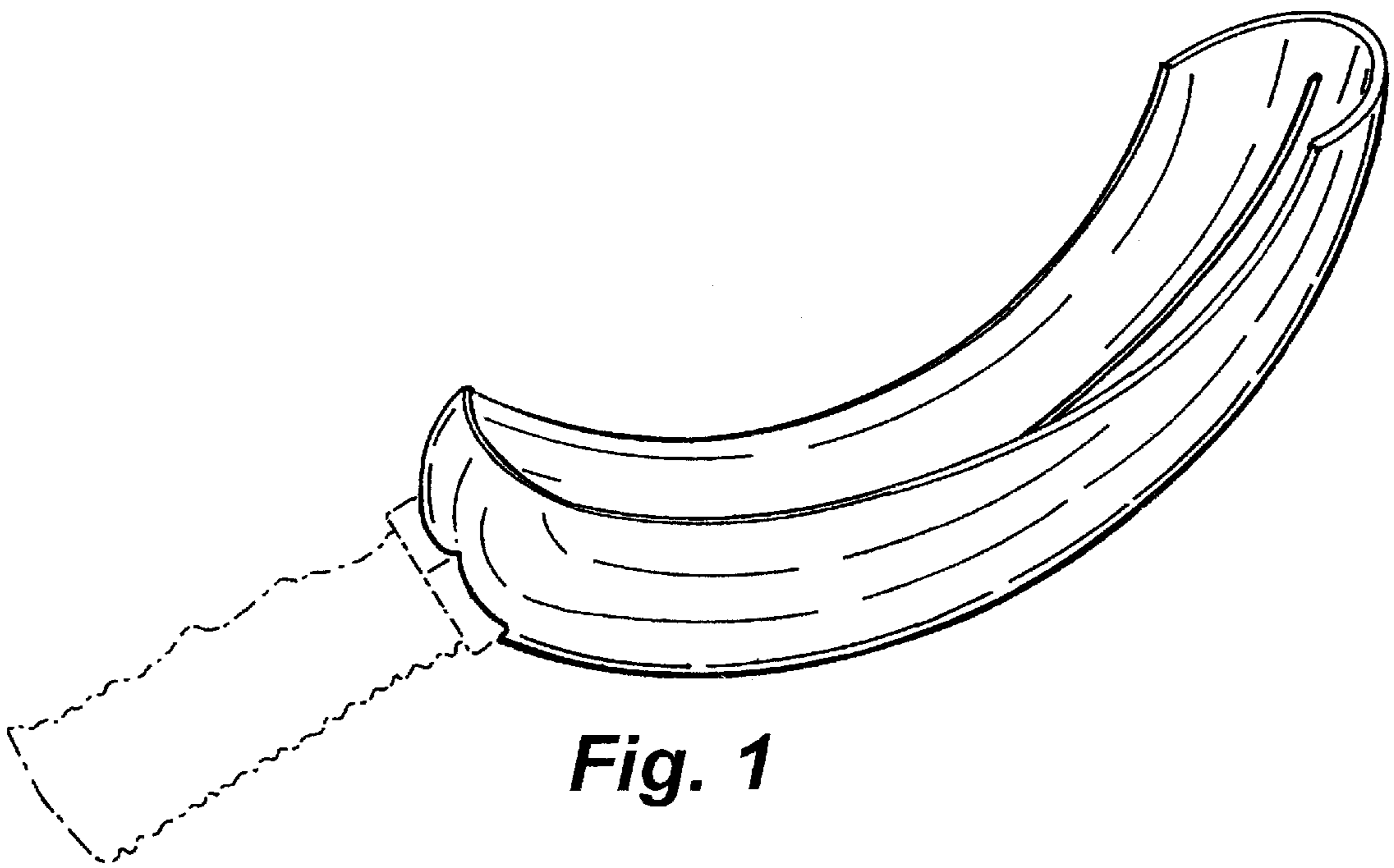


Fig. 1

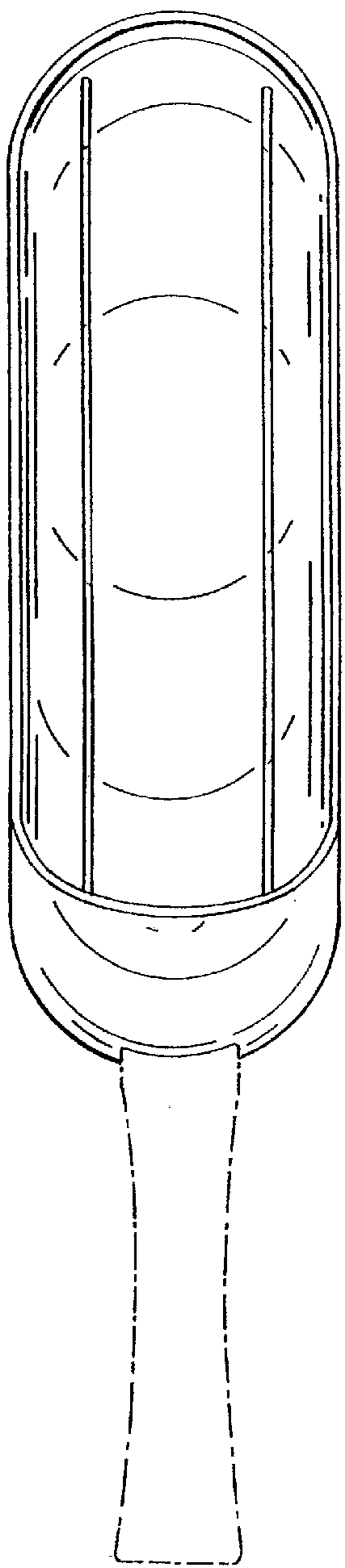


Fig. 2

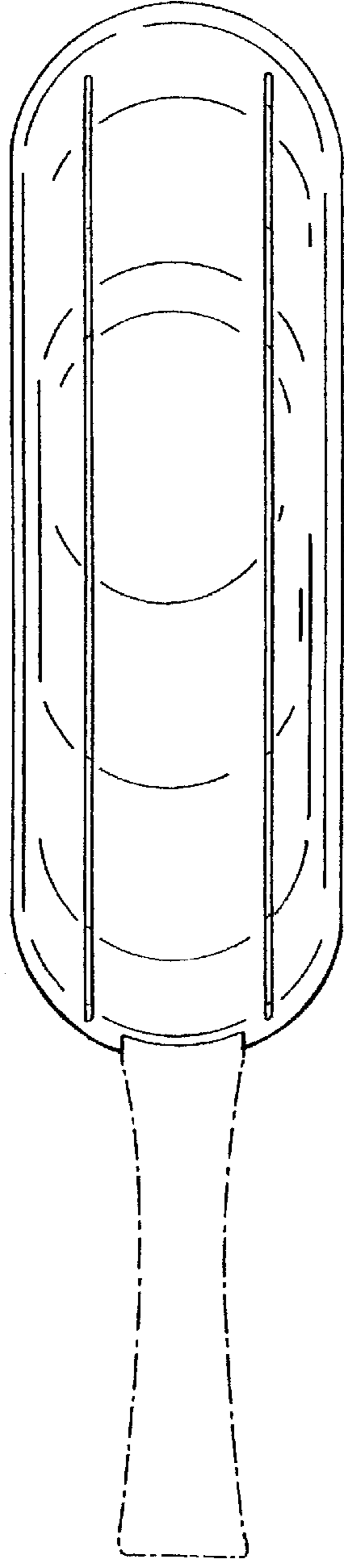


Fig. 3

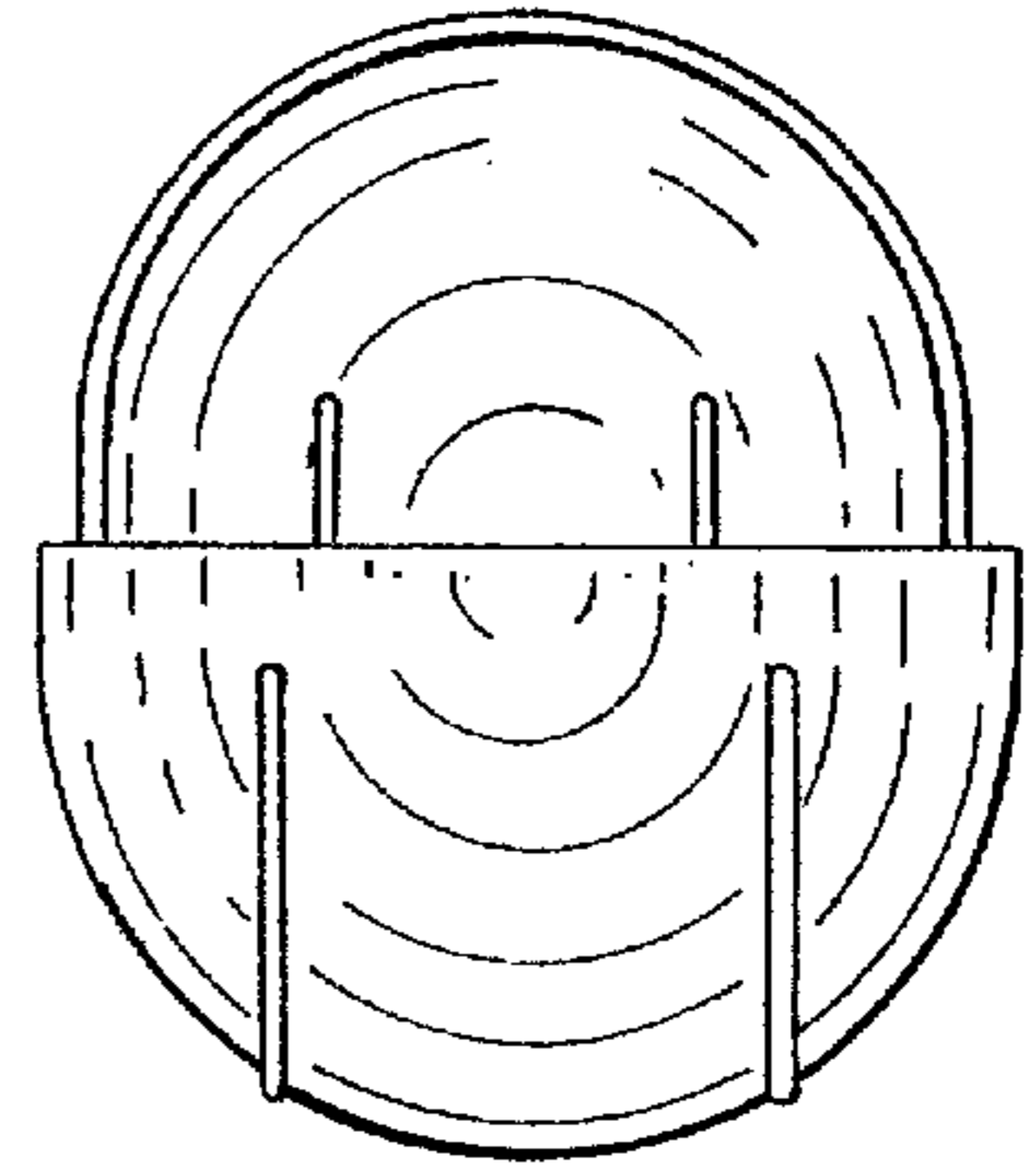


Fig. 4

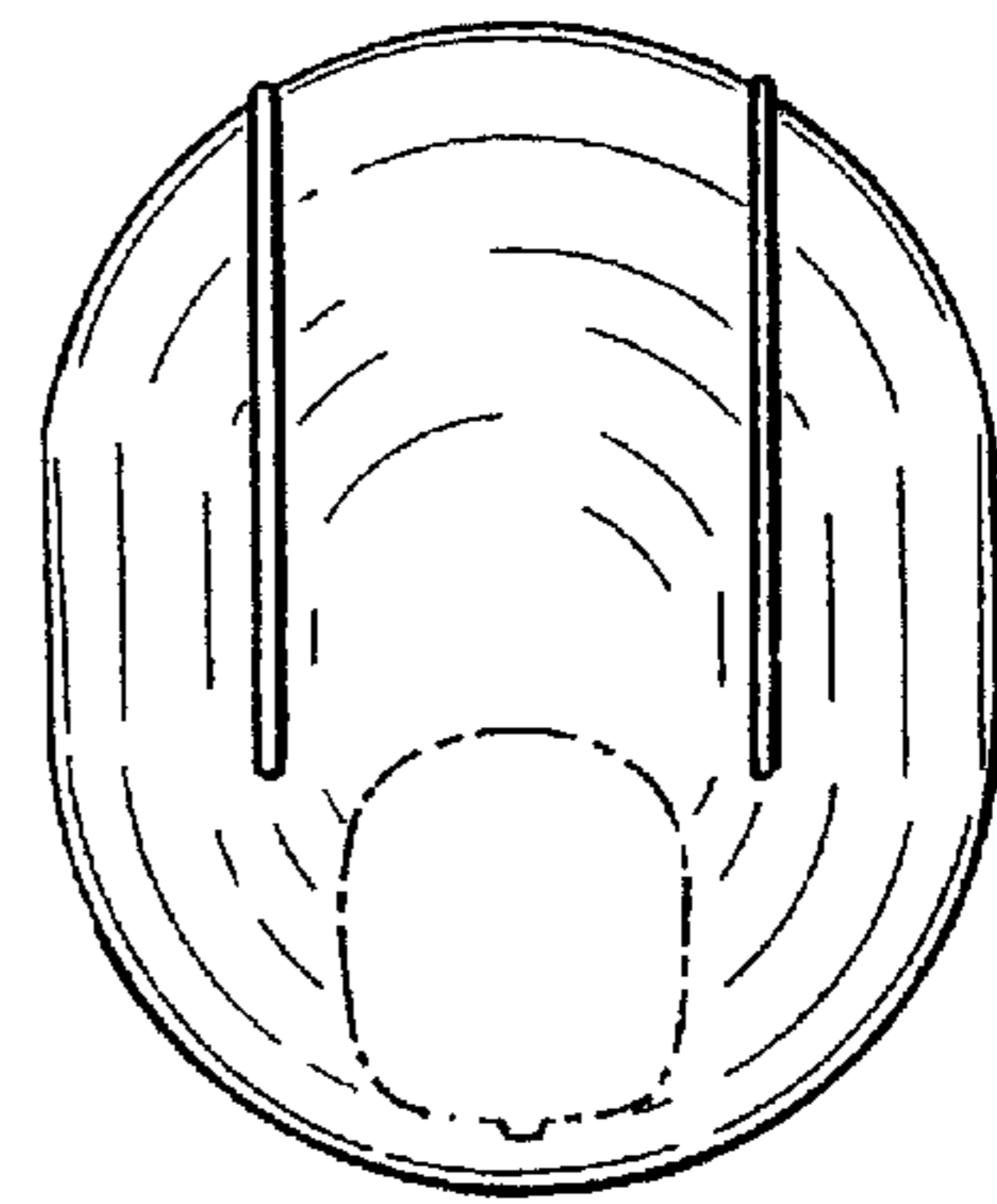


Fig. 5

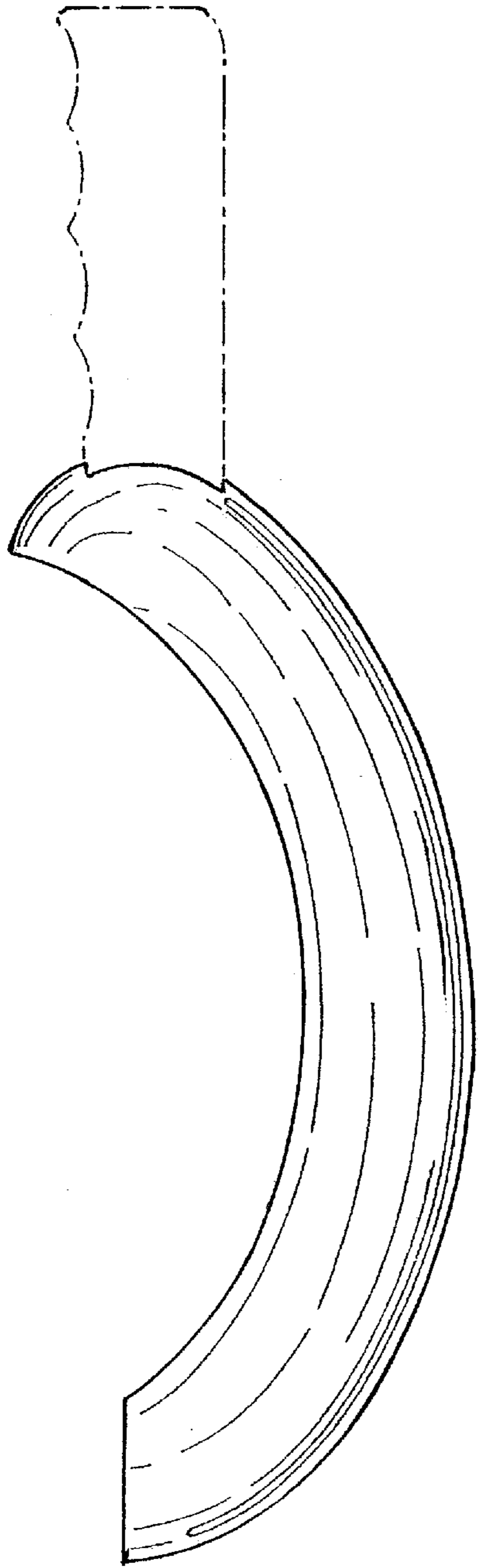


Fig. 6

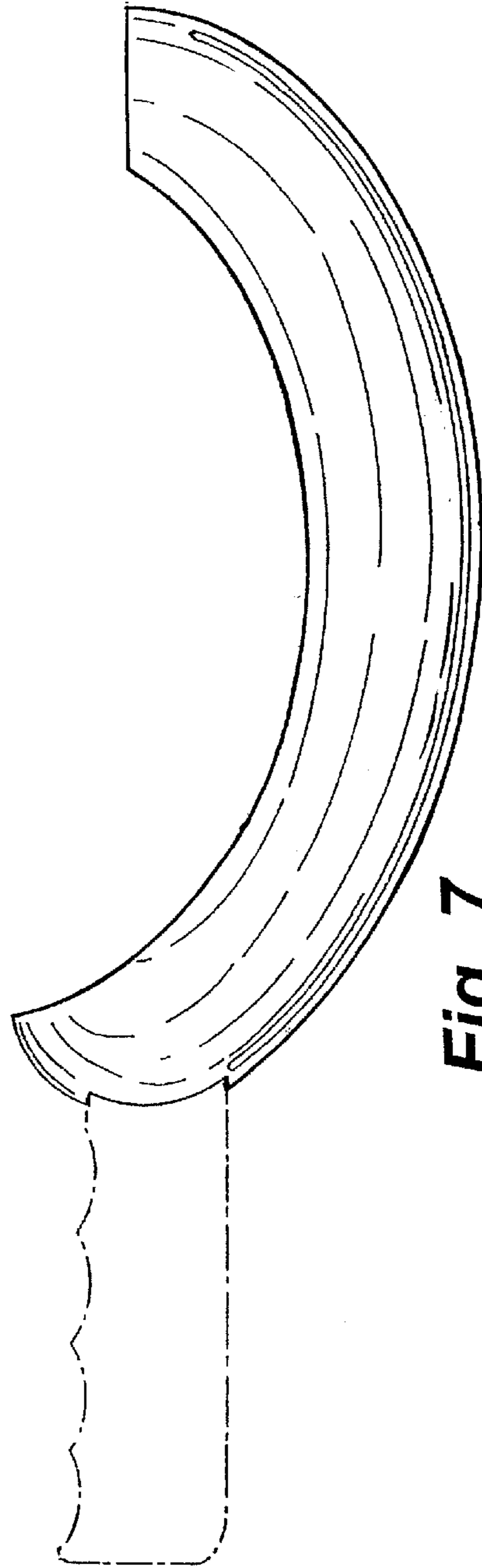


Fig. 7