



US00D428077S

United States Patent [19] Zimmerman

[11] **Patent Number: Des. 428,077**
[45] **Date of Patent: ** Jul. 11, 2000**

[54] **WATER GUN**
[75] Inventor: **Jeffrey Zimmerman**, King of Prussia, Pa.
[73] Assignee: **Larami Limited**, Mt. Laurel, N.J.
[**] Term: **14 Years**
[21] Appl. No.: **29/112,933**
[22] Filed: **Oct. 26, 1999**

D. 337,797 7/1993 D'Andrade D21/572
D. 344,109 2/1994 Lin D21/575
D. 350,575 9/1994 Caminos et al. D21/572
D. 380,506 7/1997 Matthews D21/572
5,586,688 12/1996 Johnson et al. 222/79
5,758,800 6/1998 D'Andrade 222/79

Primary Examiner—Raphael Barkai
Attorney, Agent, or Firm—Akin, Gump, Strauss, Hauer & Feld, L.L.P.

Related U.S. Application Data

[63] Continuation-in-part of application No. 29/106,893, Jun. 22, 1999.
[51] **LOC (7) Cl.** **21-01**
[52] **U.S. Cl.** **D21/572; D21/575**
[58] **Field of Search** D21/567-575;
D14/117.8; D23/225, 226; 446/473, 475,
406, 267, 180, 219, 430; 222/78, 79; 239/526,
587.5, 211, 237; 124/16, 22, 73-76, 83-85

[57] CLAIM

The ornamental design for a water gun, as shown and described.

DESCRIPTION

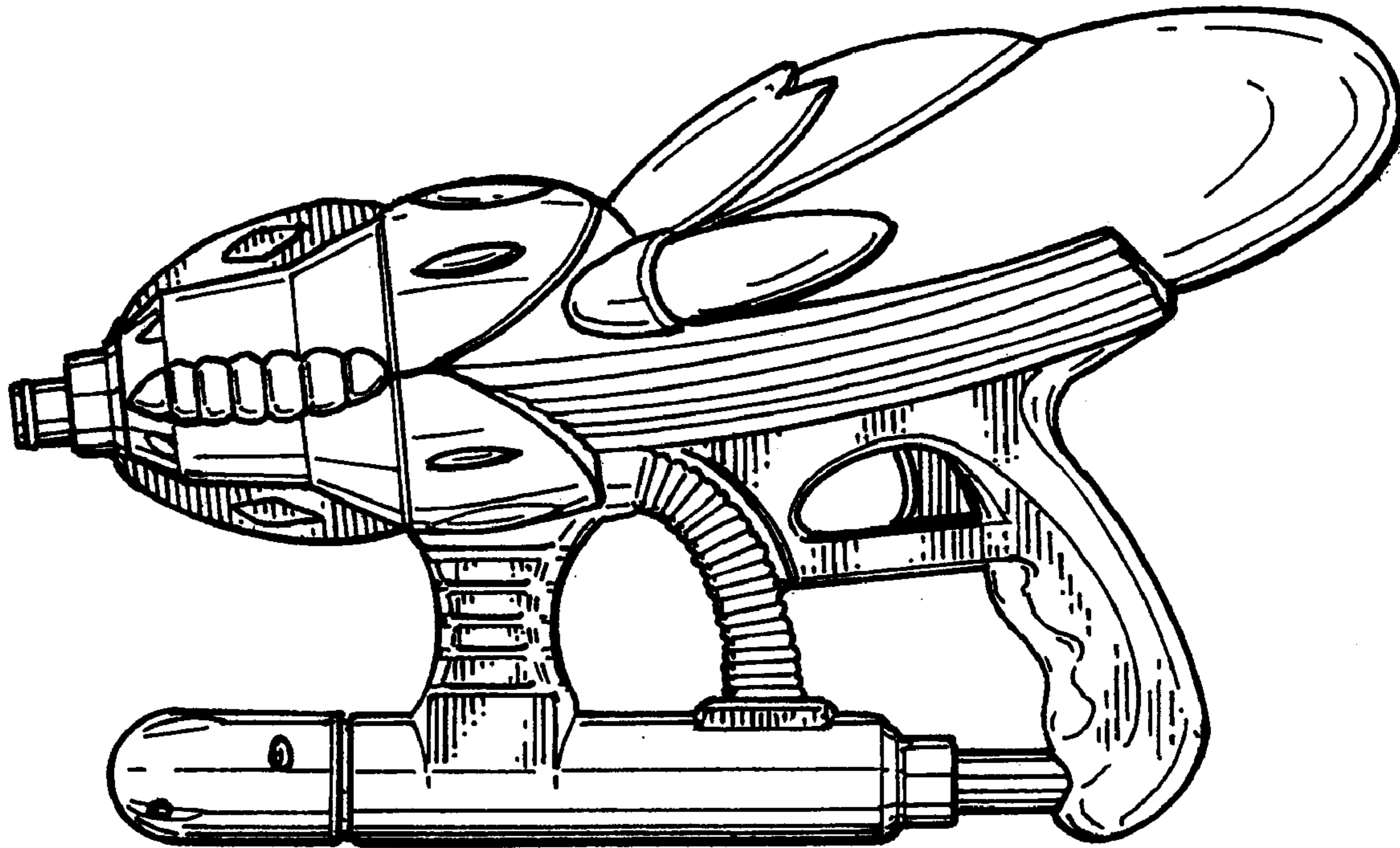
FIG. 1 is a right side elevational view of a water gun in accordance with my new design;
FIG. 2 is a left side elevational view thereof;
FIG. 3 is a top view thereof;
FIG. 4 is a bottom view thereof;
FIG. 5 is a front elevational view thereof; and,
FIG. 6 is a rear elevational view thereof.

[56] References Cited

U.S. PATENT DOCUMENTS

D. 168,878 2/1953 Arliss D21/572

1 Claim, 2 Drawing Sheets



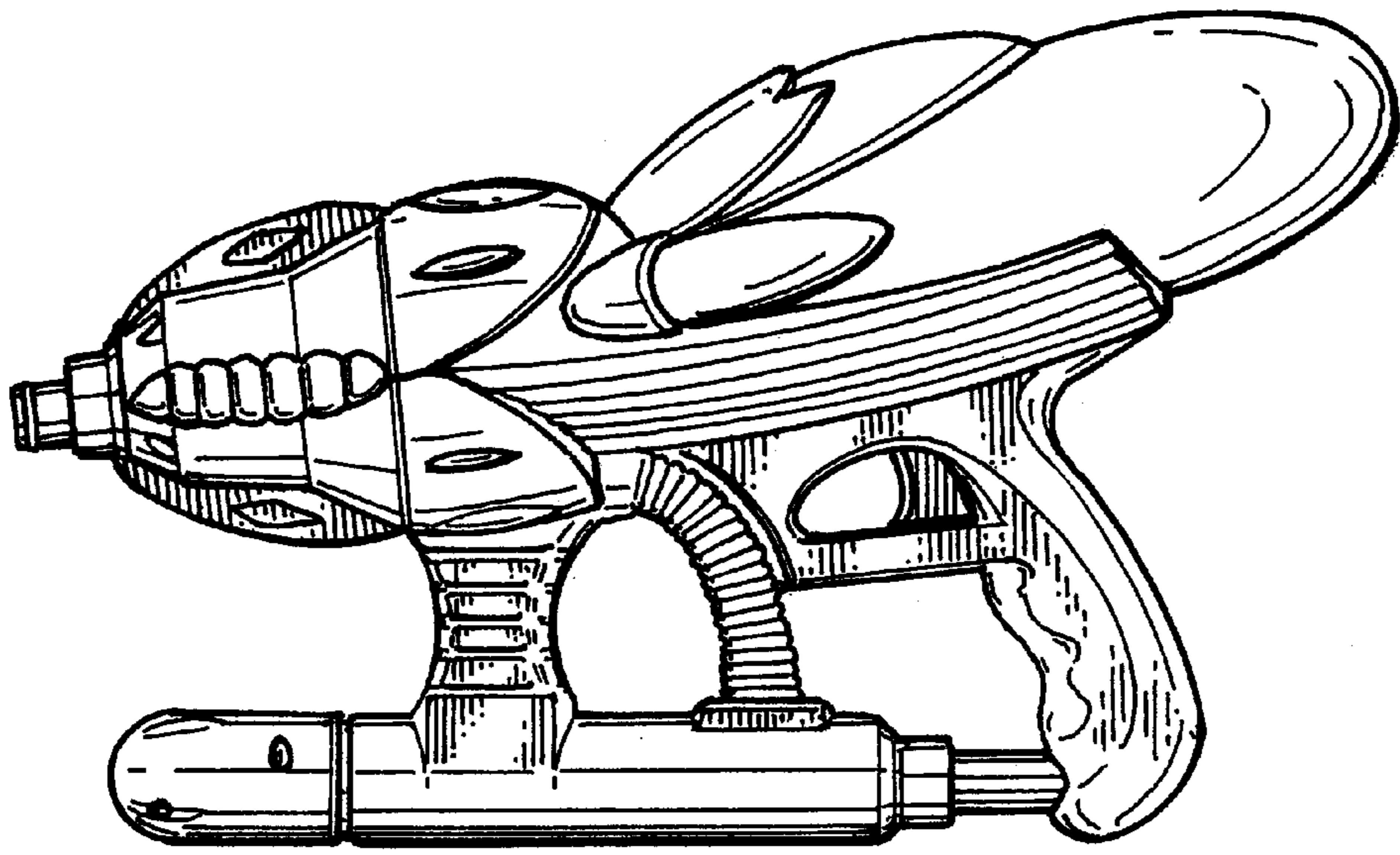


FIG. 1

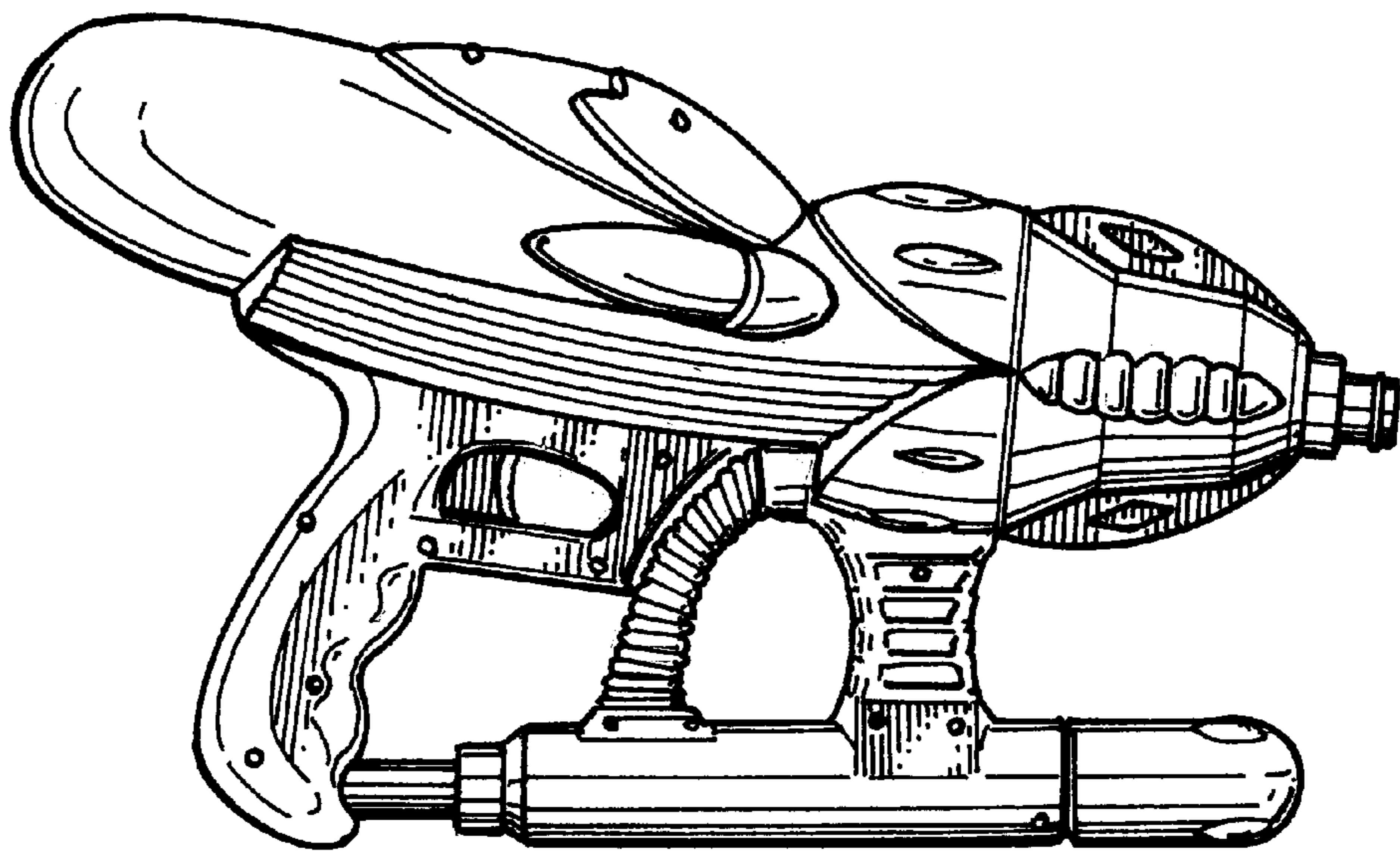


FIG. 2

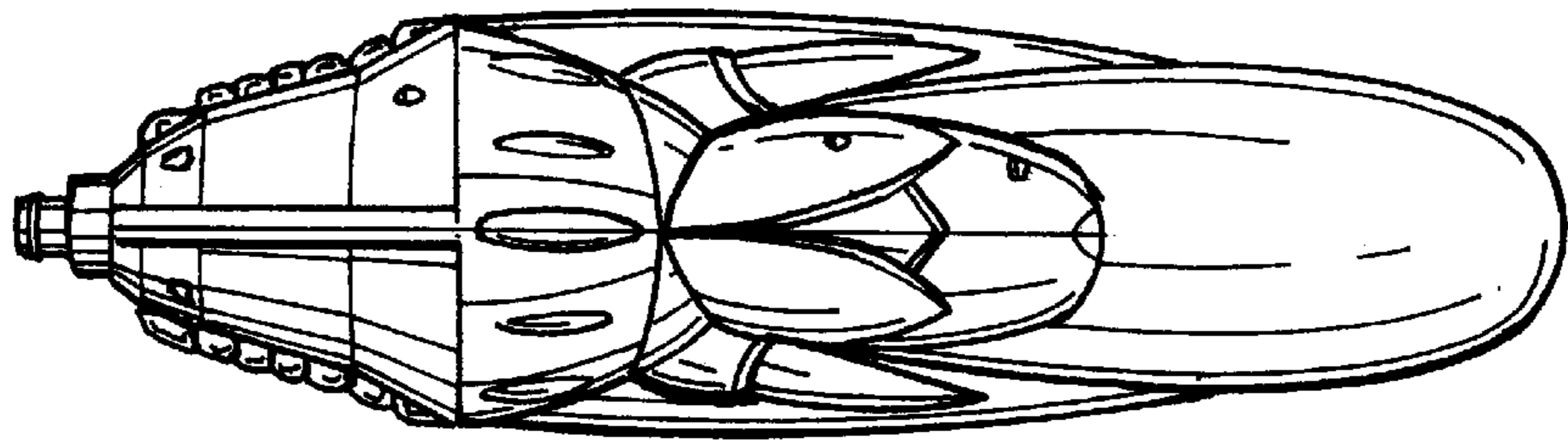


FIG. 3

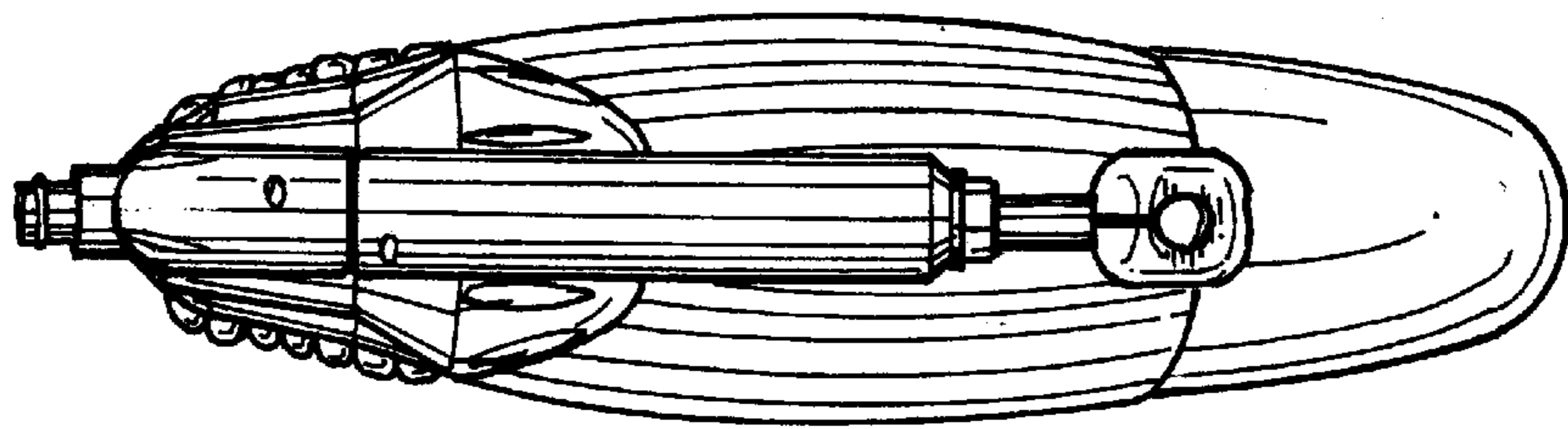


FIG. 4

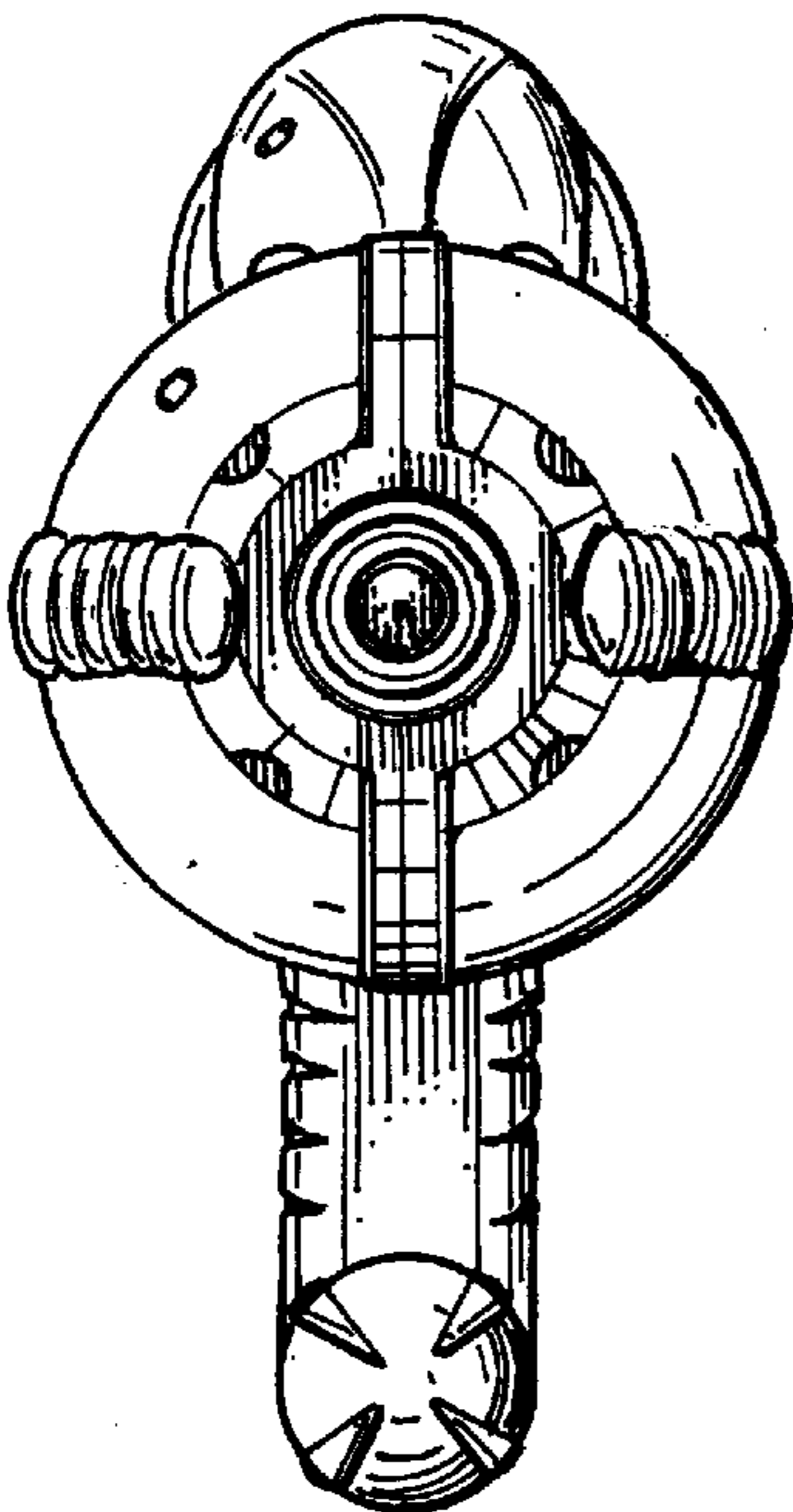


FIG. 5

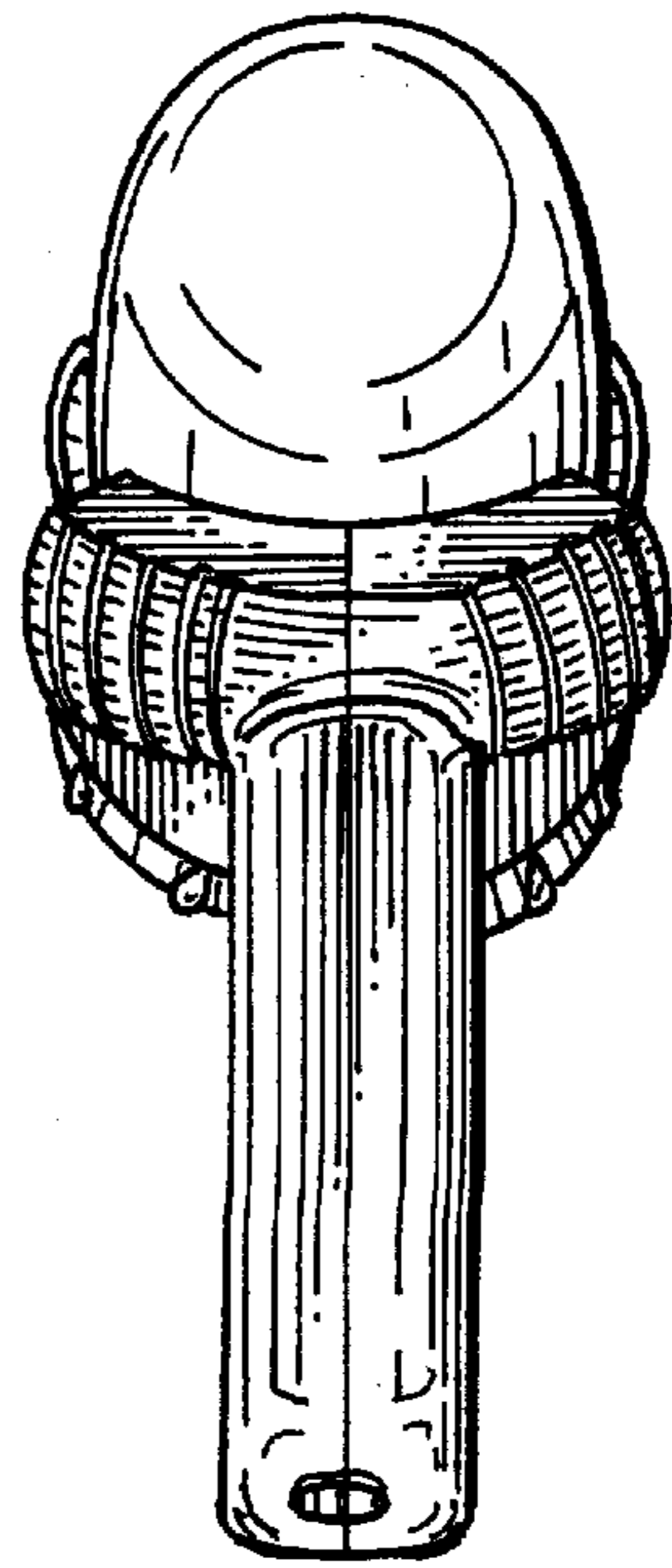


FIG. 6