



US00D428076S

United States Patent [19]

[11] **Patent Number: Des. 428,076**

Wise et al.

[45] **Date of Patent: ** Jul. 11, 2000**

[54] **TOY CAR**

[75] Inventors: **Robert D. Wise; Dorothea A. Wise,**
both of Akron, Ohio

[73] Assignee: **Rubbermaid Incorporated,** Wooster,
Ohio

[**] Term: **14 Years**

[21] Appl. No.: **29/089,199**

[22] Filed: **Jun. 9, 1998**

[51] **LOC (7) Cl. 21-01**

[52] **U.S. Cl. D21/548**

[58] **Field of Search** D21/419-435,
D21/533, 537, 548-560; D12/90-92; 446/220,
465, 470

[56] **References Cited**

U.S. PATENT DOCUMENTS

- D. 211,481 6/1968 Seitzenger et al. D34/15
- D. 211,809 7/1968 Genin D34/15
- D. 236,607 9/1975 Bundschuh et al. D12/107

(List continued on next page.)

FOREIGN PATENT DOCUMENTS

- 705519 5/1987 Japan .
- 716080 10/1987 Japan .
- 716082 10/1987 Japan .

(List continued on next page.)

OTHER PUBLICATIONS

P. 68, Toy vehicles; The Ertl Company, Highways 136 and 20, P.O. Box 500, Dyersville, Iowa 52040-0500. Publication date January, 1992.

P. 48, Toy vehicles; Buddy L, a division of SLM Inc., Patch Road RD1, P.O. Box 1070, Gloversville, New York 12078. Publication date 1993.

Catalog page, Toy car; Today's Kids, 2932 East State Highway 10, Booneville, Arkansas 72927-0207. Publication date 1994.

PT-6, Toy vehicles; Hasbro, Inc., 1027 Newport Avenue, P.O. Box 1059, Pawtucket, Rhode Island 02862. Publication date 1992.

P. 51, Toy vehicles; Hasbro, Inc., 1027 Newport Avenue, P.O. Box 1059, Pawtucket, Rhode Island 02862. Publication date 1997.

P. 9, Toy vehicles; Kransco, Power Wheels, 3405 Meyer Road, P.O. Box 6700, Fort Wayne, Indiana 46896-0700. Publication date 1991.

P. 22, Toy vehicles; Mattel, Inc., 333 Continental Boulevard, El Segundo, California 90245. Publication date 1992.

Pp. 13 and 24, Toy vehicles; Tyco Toys, Inc., 6000 Midlantic Drive, Mount Laurel, New Jersey 08054. Publication date 1993.

P. 68, Toy vehicles. The Little Tikes Company, 2180 Barlow Road, Hudson, Ohio 44236. Publication date 1993.

Pp. 6, 29 and 37, Toy vehicles; The Little Tikes Company, 2180 Barlow Road, Hudson, Ohio 44236. Publication date 1994.

Catalog page, Toy vehicle; The Little Tikes Company, 2180 Barlow Road, Hudson, Ohio 44236. Publication date 1997.

Catalog page, Toy vehicles; The Little Tikes Company, 2180 Barlow Road, Hudson, Ohio 44236. Publication date 1997.

Primary Examiner—Raphael Barkai

Attorney, Agent, or Firm—Richard B. O'Planick; Timothy A. Nathan

[57] **CLAIM**

The ornamental design for a toy car, as shown and described.

DESCRIPTION

FIG. 1 is a top left perspective view of a toy car showing our new design; the broken lines showing of tires for a toy car are for illustrative purposes only and form no part of the claimed design;

FIG. 2 is a left side elevational view thereof; the right side elevational view being a mirror image;

FIG. 3 is a top plan view thereof;

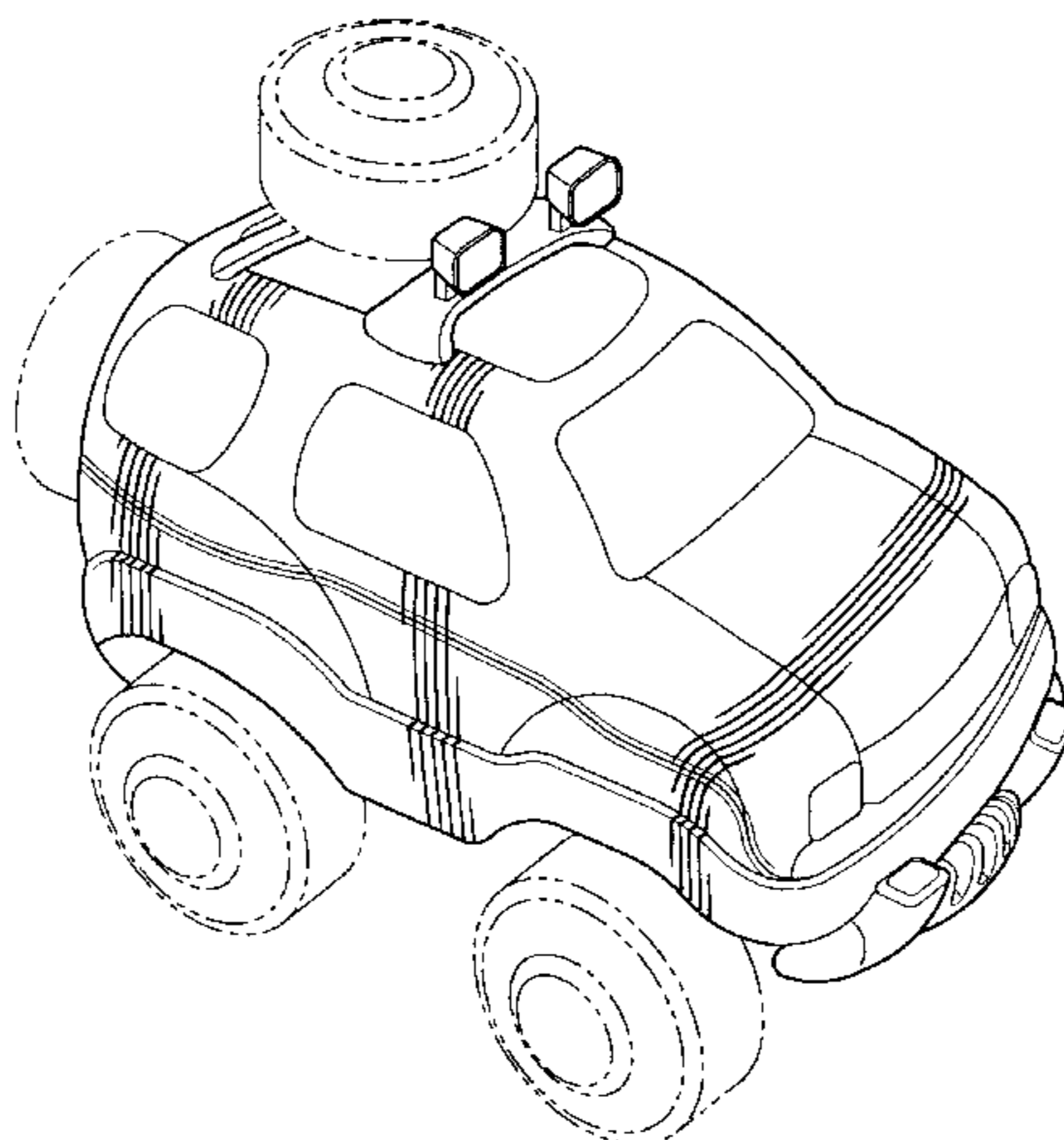
FIG. 4 is a bottom plan view thereof;

FIG. 5 is a front elevational view thereof; and,

FIG. 6 is a rear elevational view thereof.

The window areas in FIGS. 1-3 and 5-6 form no part of the claimed design.

1 Claim, 3 Drawing Sheets



Des. 428,076

Page 2

U.S. PATENT DOCUMENTS

| | | | |
|------------|---------|----------------------|-----------|
| D. 238,595 | 1/1976 | Goldfarb et al. | D34/15 AJ |
| D. 242,273 | 11/1976 | Brass | D34/15 AJ |
| D. 242,701 | 12/1976 | Vinegra | D12/91 |
| D. 248,119 | 6/1978 | Nix et al. | D34/15 AJ |
| D. 264,608 | 5/1982 | Mariol | D21/78 |
| D. 277,494 | 2/1985 | Lerch | D21/136 |
| D. 295,651 | 5/1988 | Chammall | D21/548 |
| D. 299,666 | 1/1989 | Harrod | D21/134 |
| D. 314,997 | 2/1991 | Harrod | D21/134 |
| D. 323,193 | 1/1992 | Litwicki | D21/78 |
| D. 328,317 | 7/1992 | Harrod | D21/78 |
| D. 341,394 | 11/1993 | Chazen et al. | D21/548 |
| D. 362,279 | 9/1995 | Fuligni | D21/54 |
| D. 368,287 | 3/1996 | Walter | D21/78 |
| D. 370,943 | 6/1996 | Maxwell et al. | D21/433 |
| D. 388,132 | 12/1997 | Maxwell et al. | D21/424 |
| 3,811,218 | 5/1974 | Salmon et al. | 46/17 |
| 4,709,958 | 12/1987 | Harrod | 296/177 |

FOREIGN PATENT DOCUMENTS

| | | |
|--------|---------|---------|
| 788612 | 5/1990 | Japan . |
| 788617 | 5/1990 | Japan . |
| 788624 | 5/1990 | Japan . |
| 799026 | 10/1990 | Japan . |
| 929817 | 7/1995 | Japan . |
| 929819 | 7/1995 | Japan . |

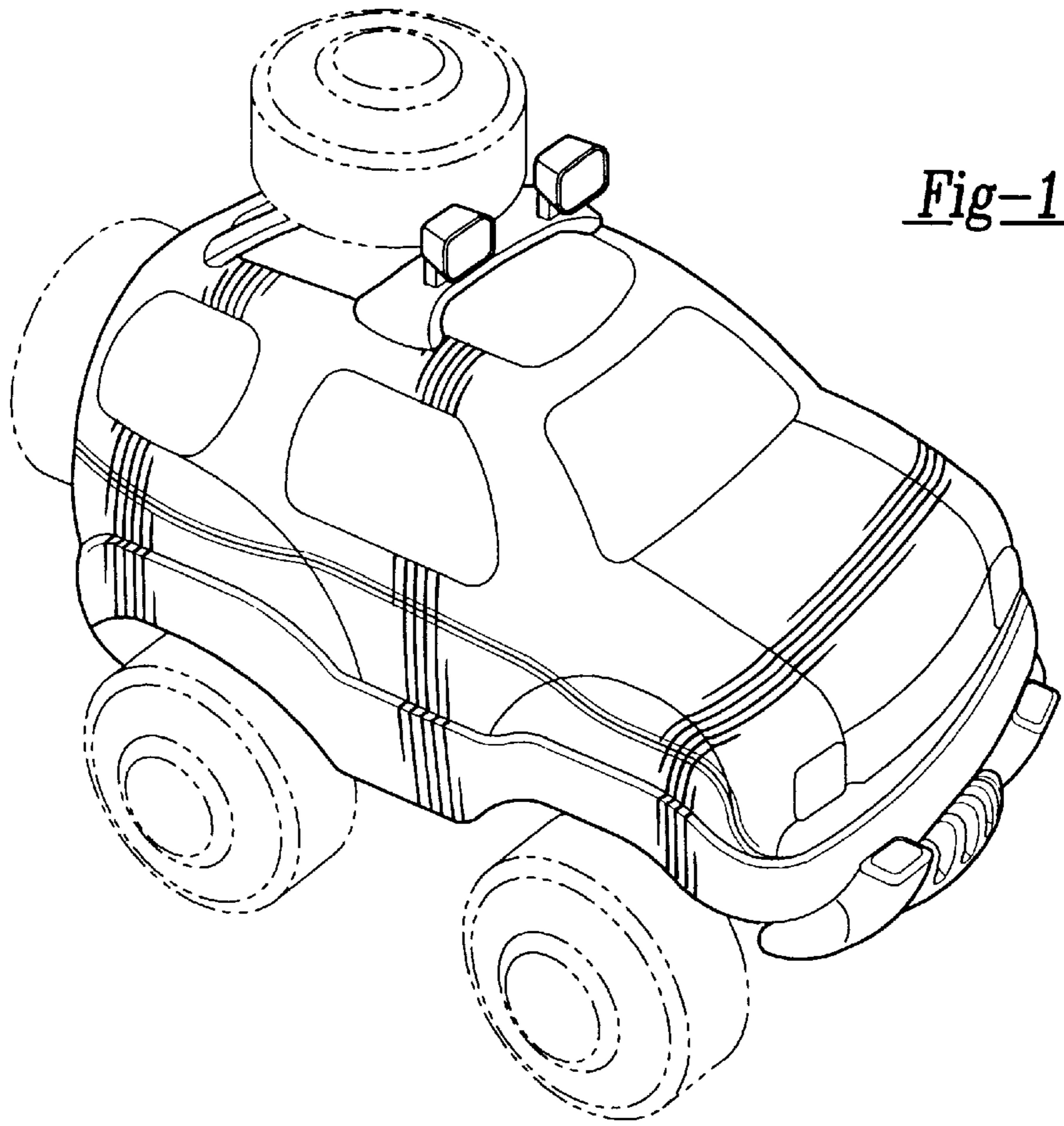


Fig-1

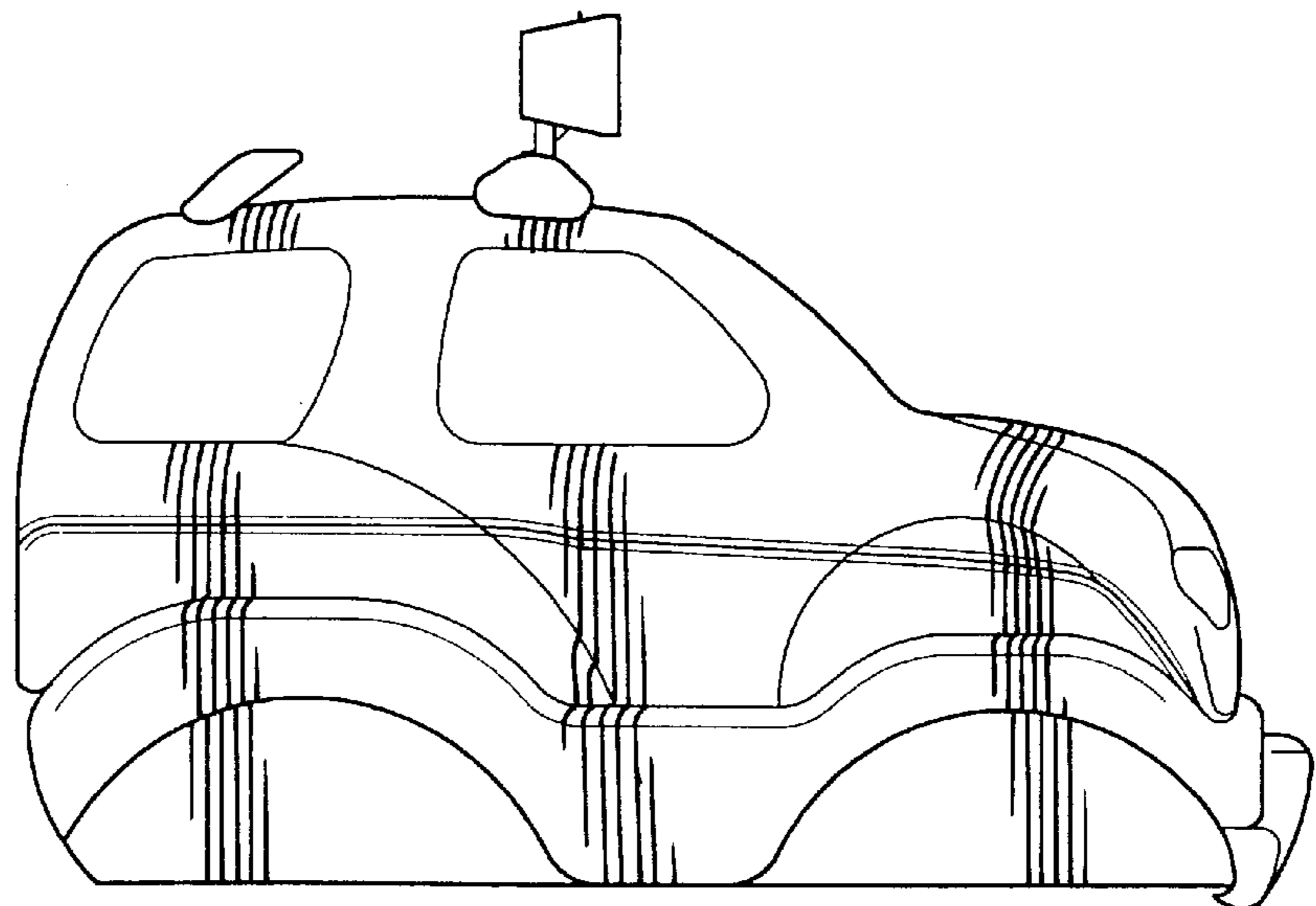


Fig-2

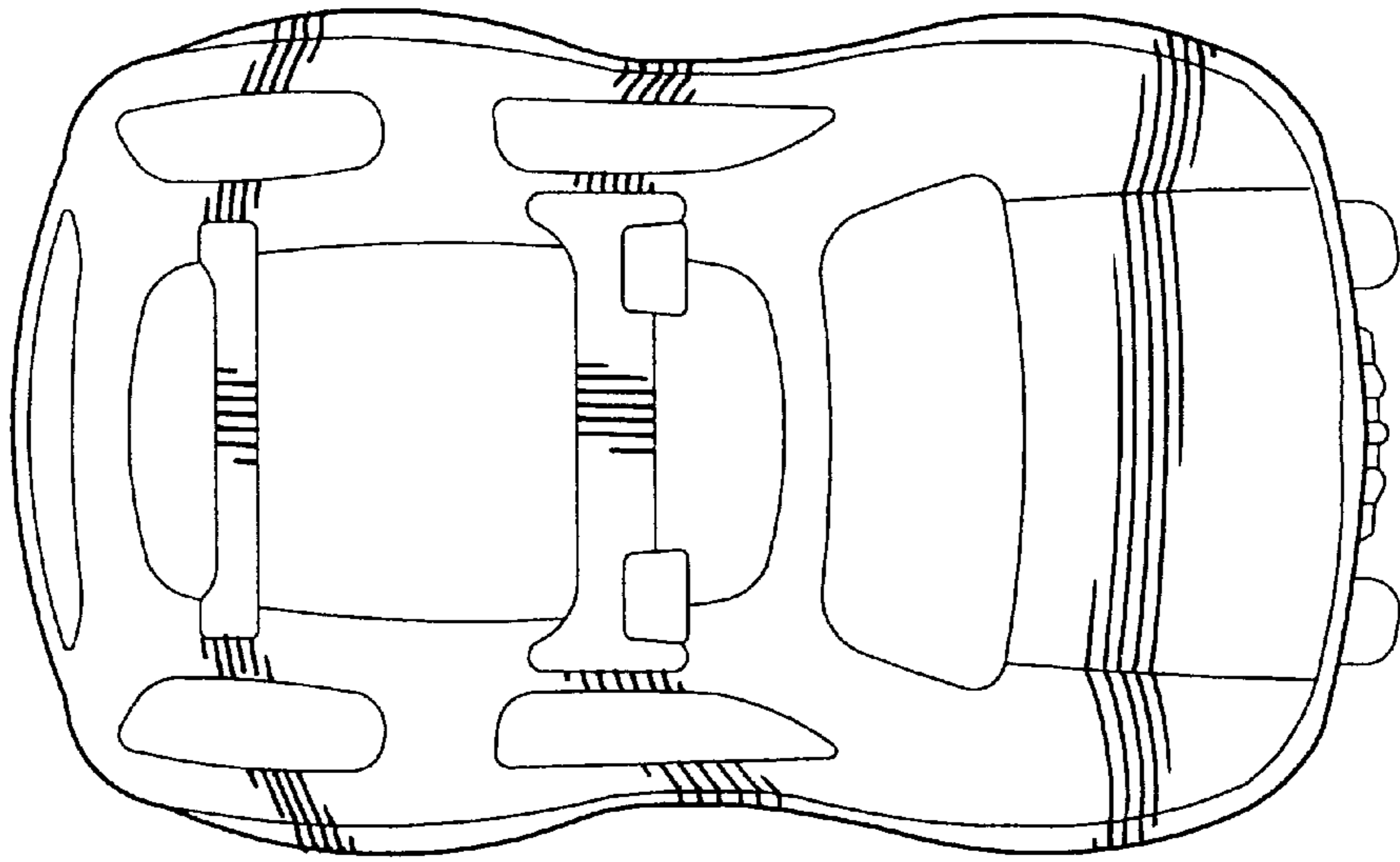


Fig-3

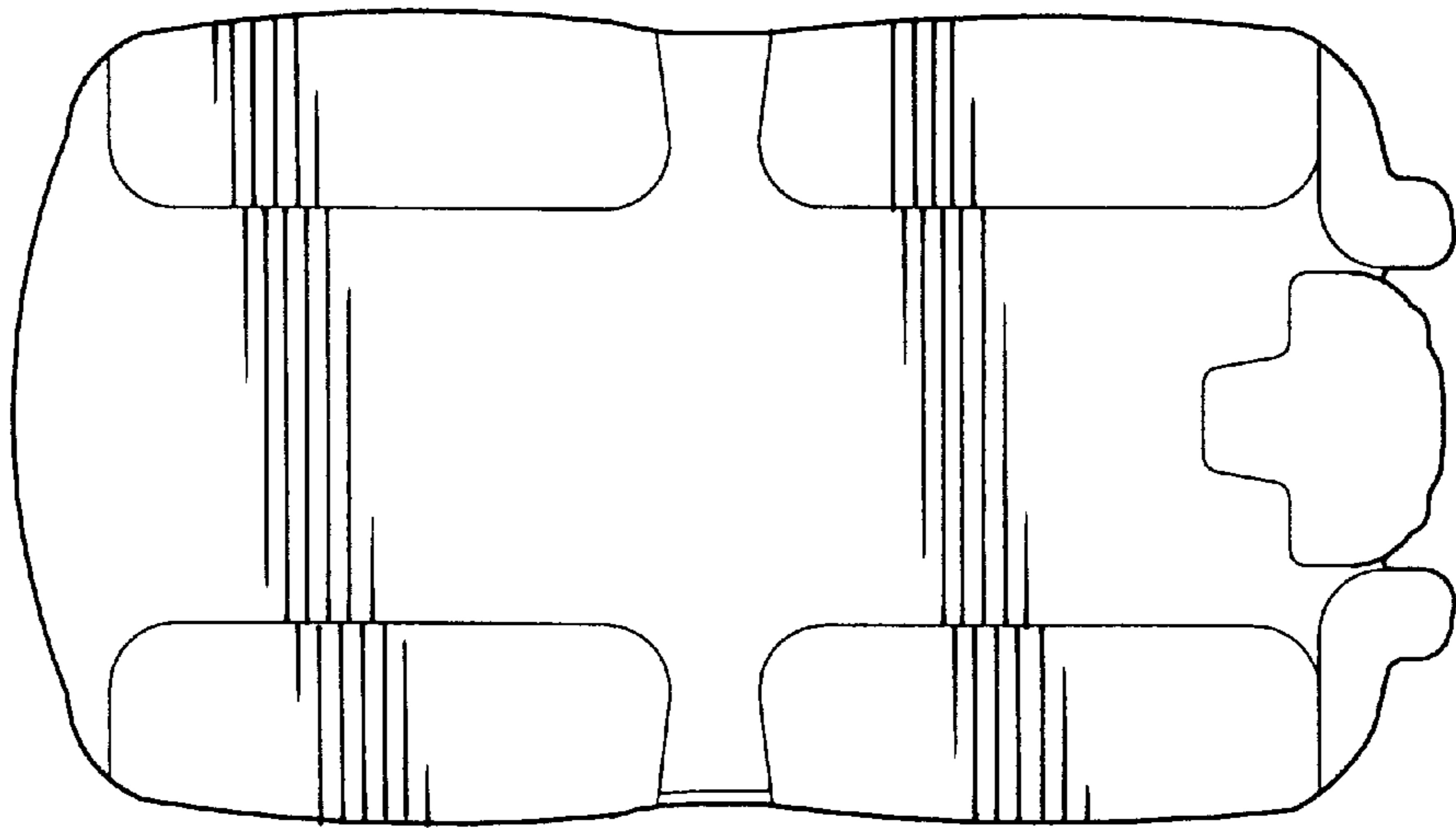


Fig-4

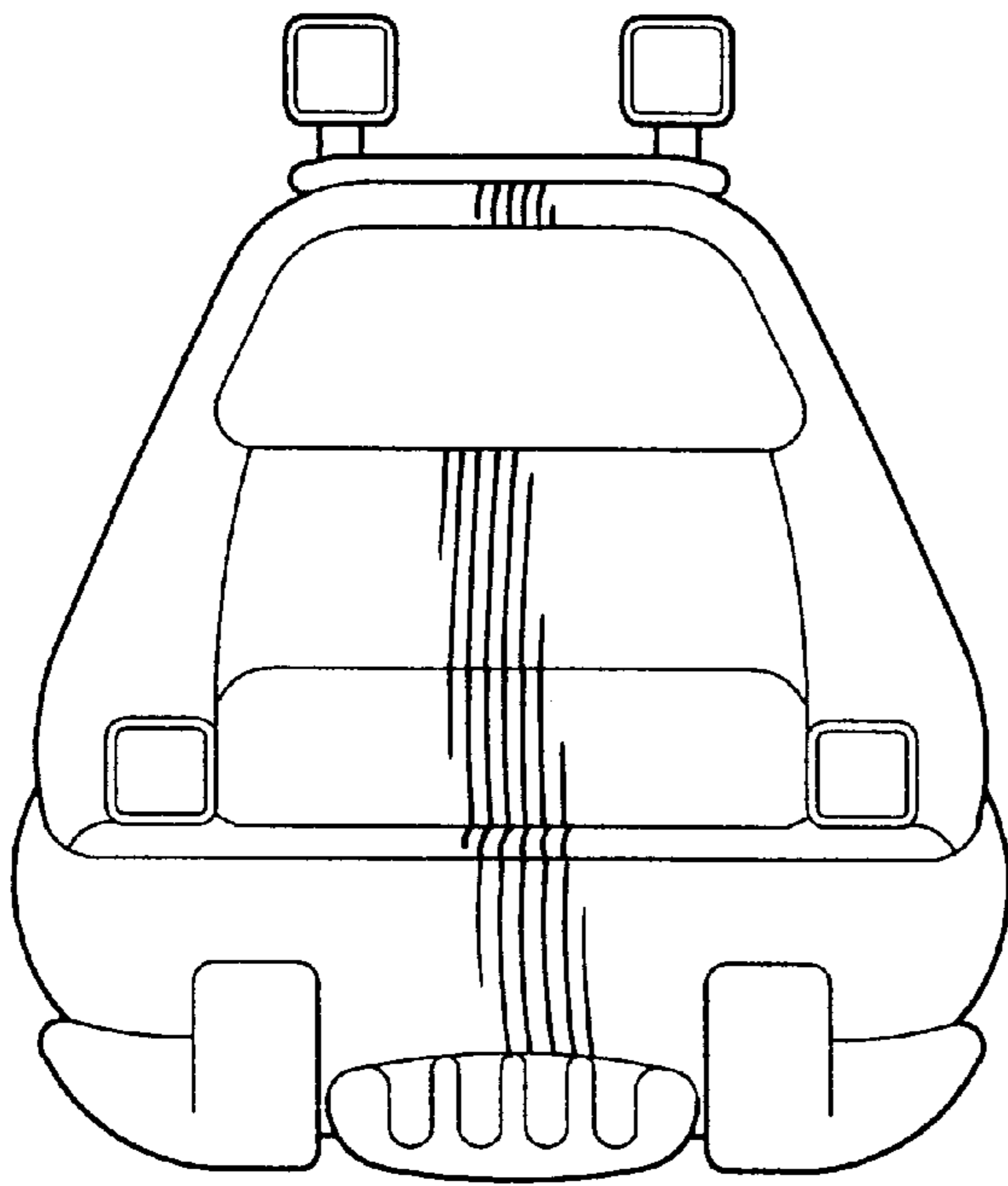


Fig-5

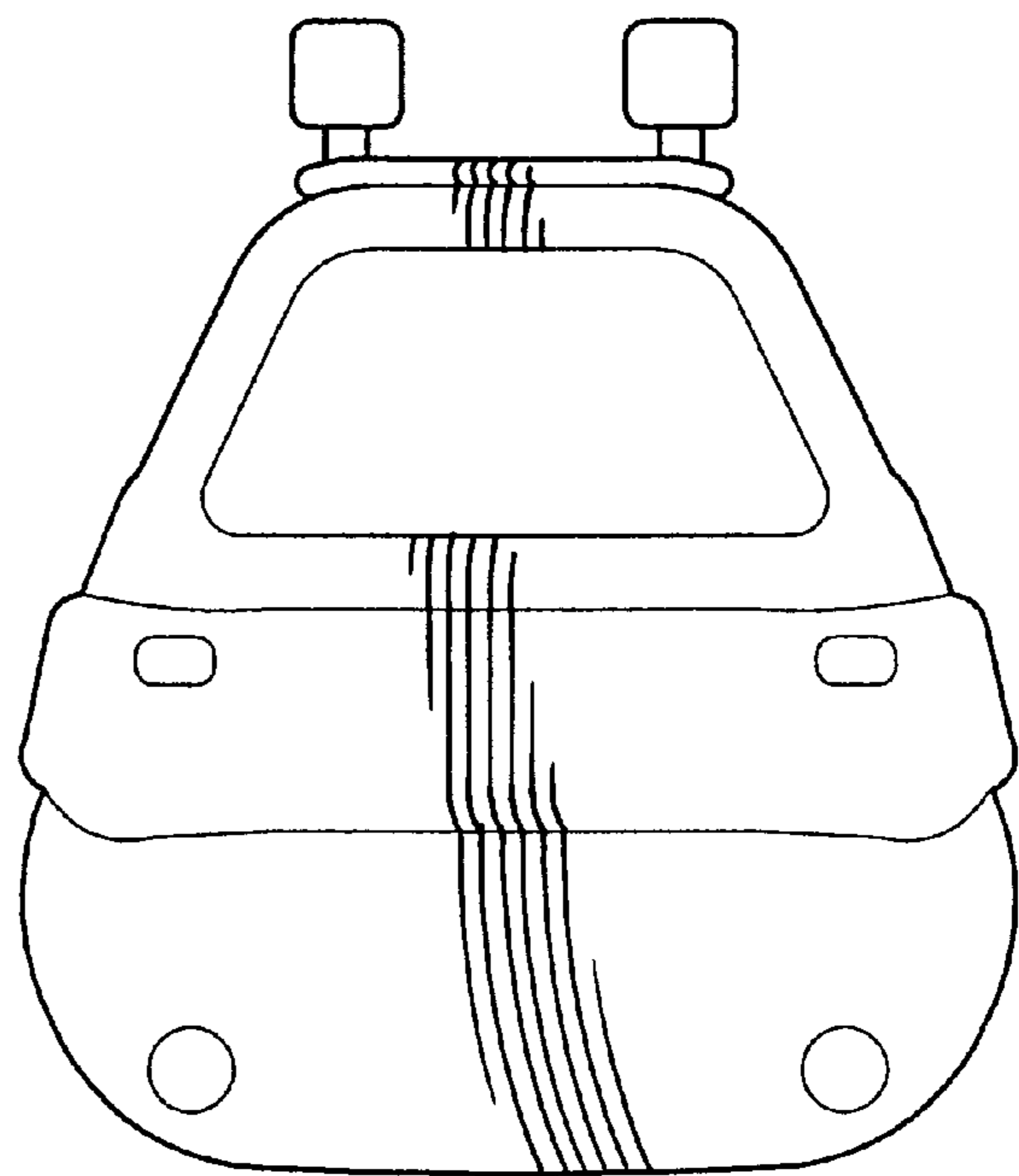


Fig-6