



US00D428075S

United States Patent [19]

Javer et al.

[11] Patent Number: **Des. 428,075**

[45] Date of Patent: **** Jul. 11, 2000**

[54] **COUPLING DEVICE FOR A TOY BUILDING SET**

[75] Inventors: **Ingvar Javer; Claes Nordenstam**, both of Gothenburg, Sweden

[73] Assignee: **Megamec AB**, Göteborg, Sweden

[**] Term: **14 Years**

[21] Appl. No.: **29/098,675**

[22] Filed: **Jan. 4, 1999**

[30] **Foreign Application Priority Data**

Jul. 3, 1998 [SE] Sweden 98-1349

[51] **LOC (7) Cl.** **21-01**

[52] **U.S. Cl.** **D21/503**

[58] **Field of Search** D21/483-505; D8/382, 387; 446/85, 88, 93, 102, 108-116, 119-128; 403/205

[56] **References Cited**

U.S. PATENT DOCUMENTS

D. 35,172 10/1901 McCarty D8/387

D. 252,365	7/1979	Durham, III	D8/382
D. 260,103	8/1981	Appel et al.	D21/483
D. 272,454	1/1984	Boudreaux	D21/483
D. 285,226	8/1986	Kassai	D21/499
D. 311,680	10/1990	Miall	D8/382
2,703,724	3/1955	Yuen et al.	446/123
4,291,512	9/1981	Walton	446/111
4,352,255	10/1982	Warehime	446/120
5,378,077	1/1995	Paulsen	403/205

Primary Examiner—Raphael Barkai
Attorney, Agent, or Firm—Dvorak & Orum

[57] **CLAIM**

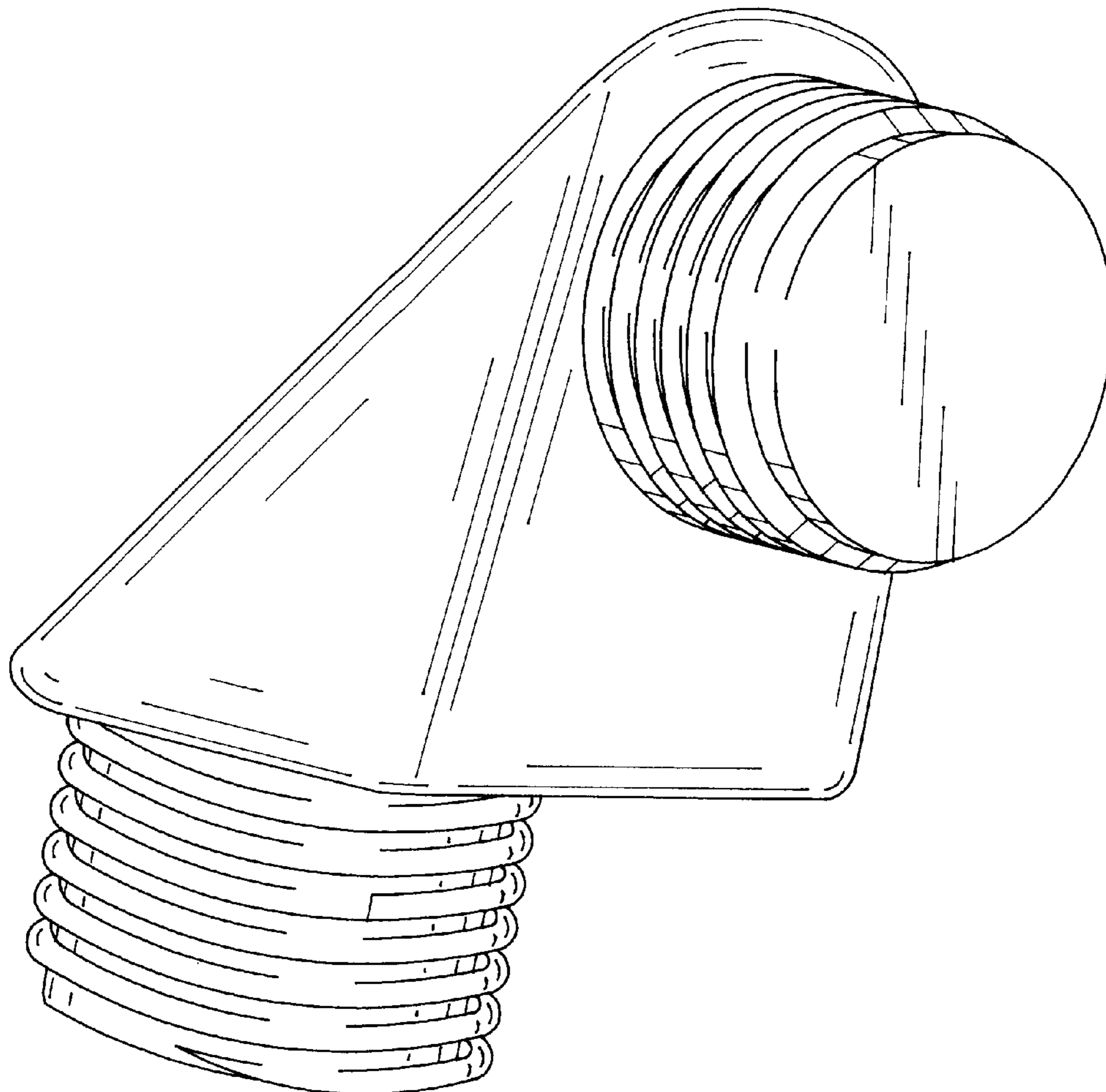
The ornamental design for a coupling device for a toy building set, as shown and described.

DESCRIPTION

FIG. 1 is a front right perspective view of the coupling device for a toy building set; and,

FIG. 2 is a back lower perspective view of the coupling device for a toy building set.

1 Claim, 1 Drawing Sheet



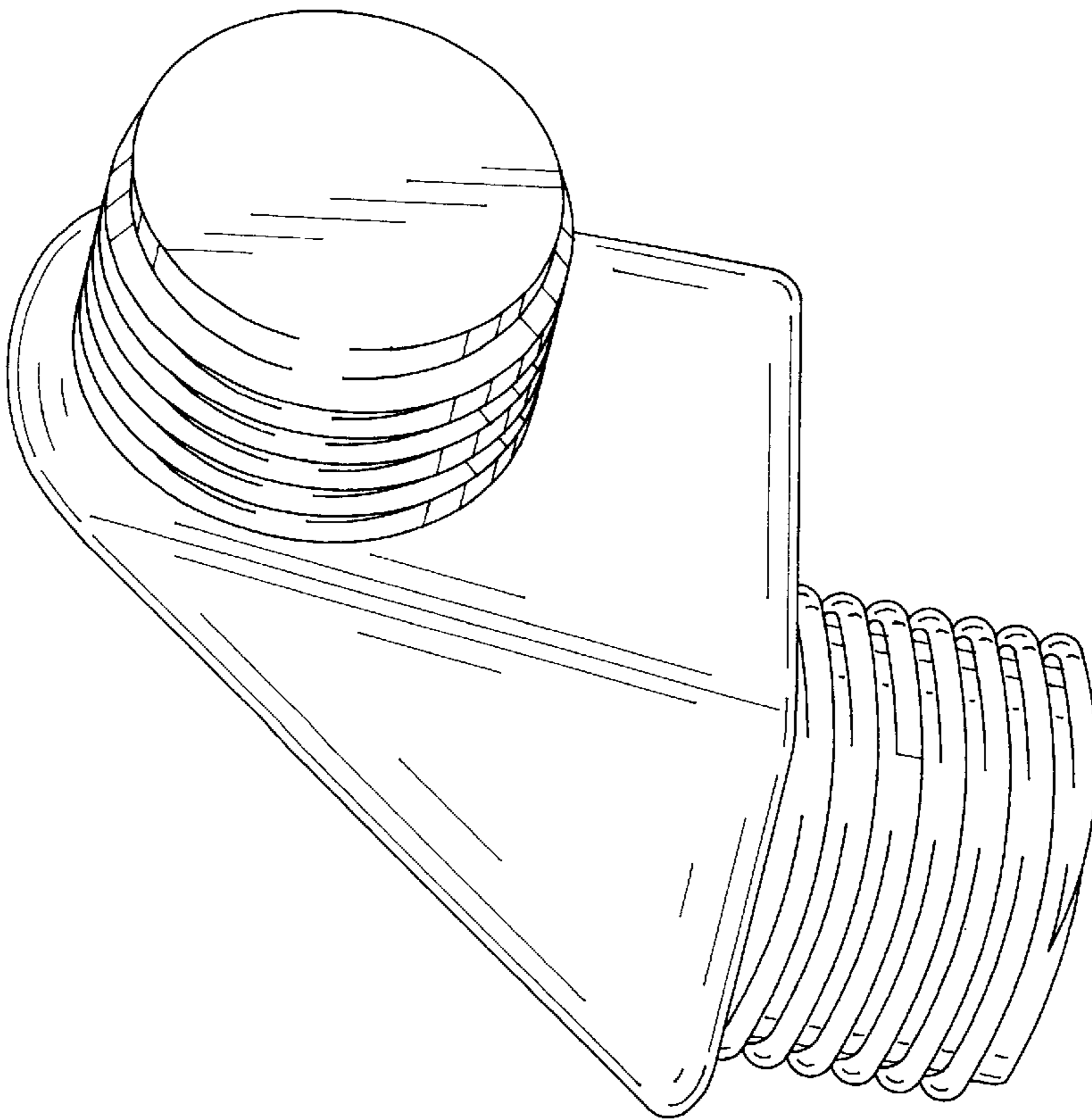


FIG. 1

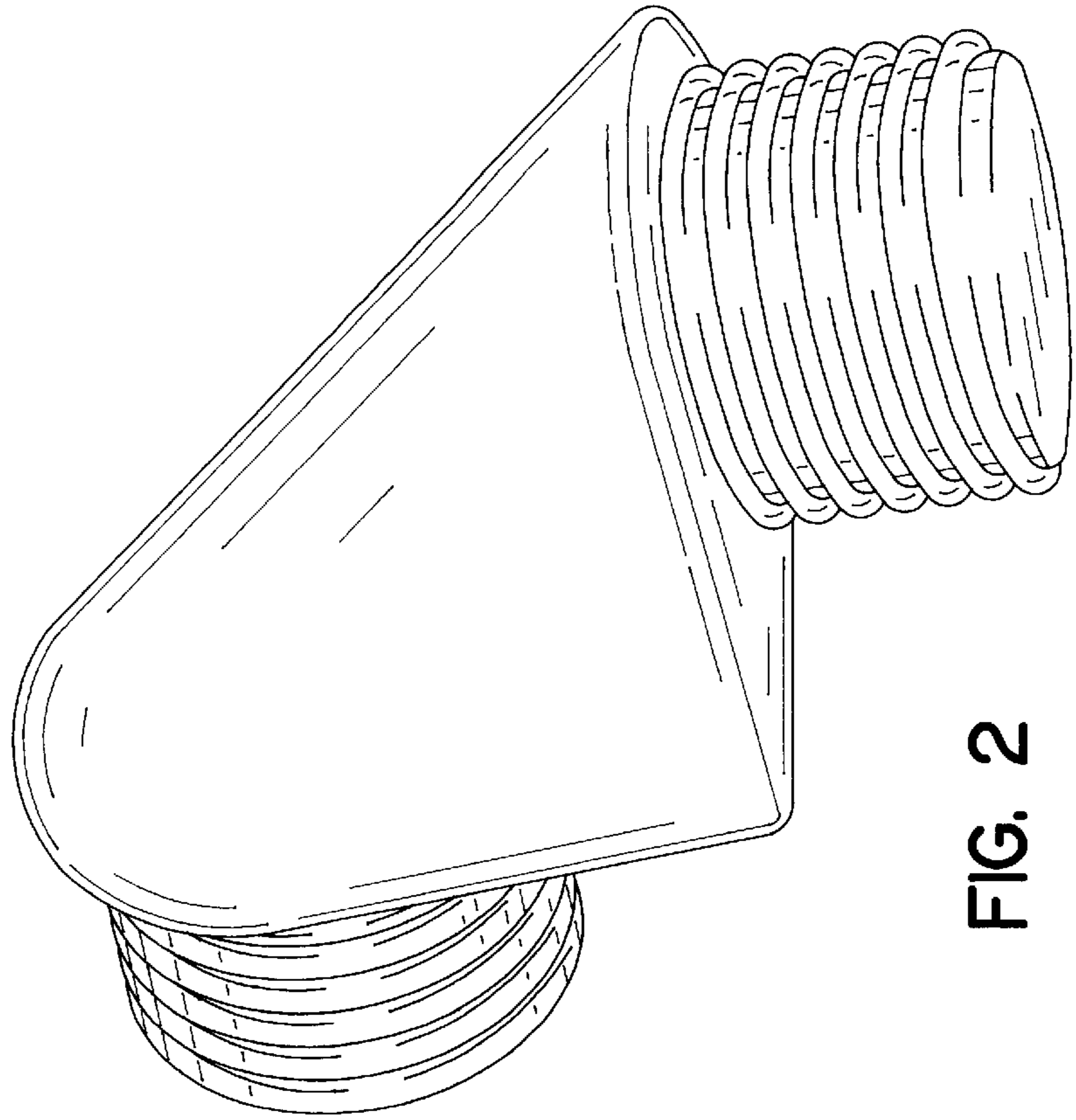


FIG. 2