



US00D428072S

United States Patent [19] Wang

[11] Patent Number: Des. 428,072

[45] Date of Patent: ** Jul. 11, 2000

[54] KITE

[76] Inventor: Jay Wang, 2026 Jacamar Court,
Mississauga ON, Canada, L5R 3P5

[**] Term: 14 Years

[21] Appl. No.: 29/107,616

[22] Filed: Jul. 12, 1999

[51] LOC (7) Cl. 21-01

[52] U.S. Cl. D21/453; D21/445

[58] Field of Search D21/445-447,
D21/449, 453; 244/153 R, 154, 153 A

[56] References Cited

U.S. PATENT DOCUMENTS

D. 57,437	3/1921	Keller .	
D. 95,101	4/1935	Williams .	
D. 168,383	12/1952	Smith .	
D. 253,417	11/1979	Infante	D21/445
D. 407,126	3/1999	Wang .	
2,124,992	7/1938	Wood .	
4,830,313	5/1989	Cheng .	

Primary Examiner—Dominic Simone
Attorney, Agent, or Firm—Bereskin & Parr

[57] CLAIM

The ornamental design for a kite, as shown and described.

DESCRIPTION

FIG. 1 is an isometric view from the front and to one side of the new design;

FIG. 2 is a left side elevational view thereof;

FIG. 3 is a right side elevational view thereof;

FIG. 4 is a front elevational view thereof;

FIG. 5 is a rear elevational view thereof;

FIG. 6 is a top plan view thereof;

FIG. 7 is a bottom plan view thereof;

FIG. 8 is an isometric view from the front and to one side of a second embodiment of the design;

FIG. 9 is a left side elevational view thereof;

FIG. 10 is a right side elevational view thereof;

FIG. 11 is a front elevational view thereof;

FIG. 12 is a rear elevational view thereof;

FIG. 13 is a top plan view thereof;

FIG. 14 is a bottom plan view thereof;

FIG. 15 is an isometric view from the front and to one side of a third embodiment of the design;

FIG. 16 is a left side elevational view thereof;

FIG. 17 is a right side elevational view thereof;

FIG. 18 is a front elevational view thereof;

FIG. 19 is a rear elevational view thereof;

FIG. 20 is a top plan view thereof;

FIG. 21 is a bottom plan view thereof;

FIG. 22 is an isometric view from the front and to one side of a fourth embodiment of the design;

FIG. 23 is a left side elevational view thereof;

FIG. 24 is a right side elevational view thereof;

FIG. 25 is a front elevational view thereof;

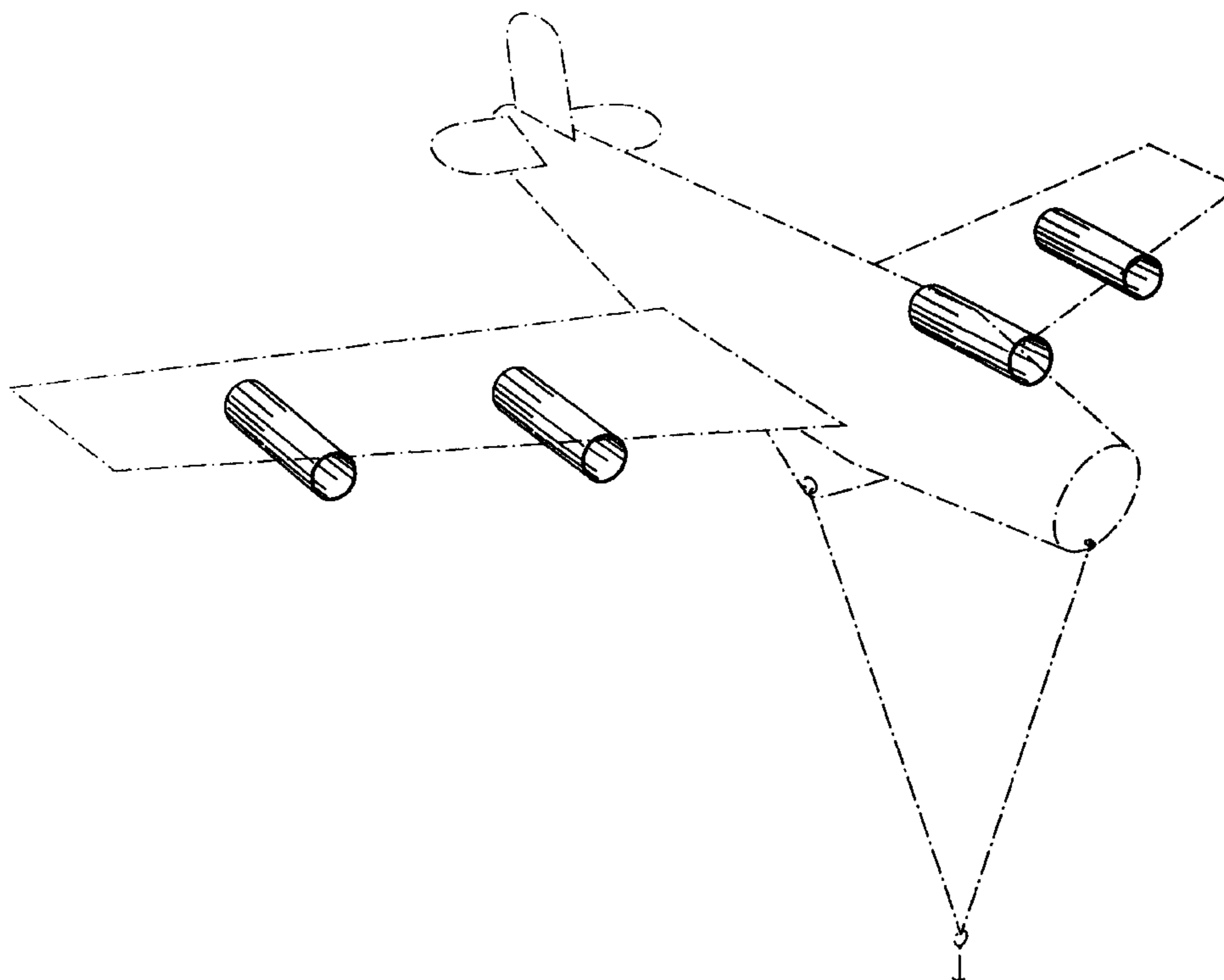
FIG. 26 is a rear elevational view thereof;

FIG. 27 is a top plan view thereof; and,

FIG. 28 is a bottom plan view thereof.

The portion of the kite shown in broken lines in all views is for illustrative purposes only and forms no part of the claimed design.

1 Claim, 28 Drawing Sheets



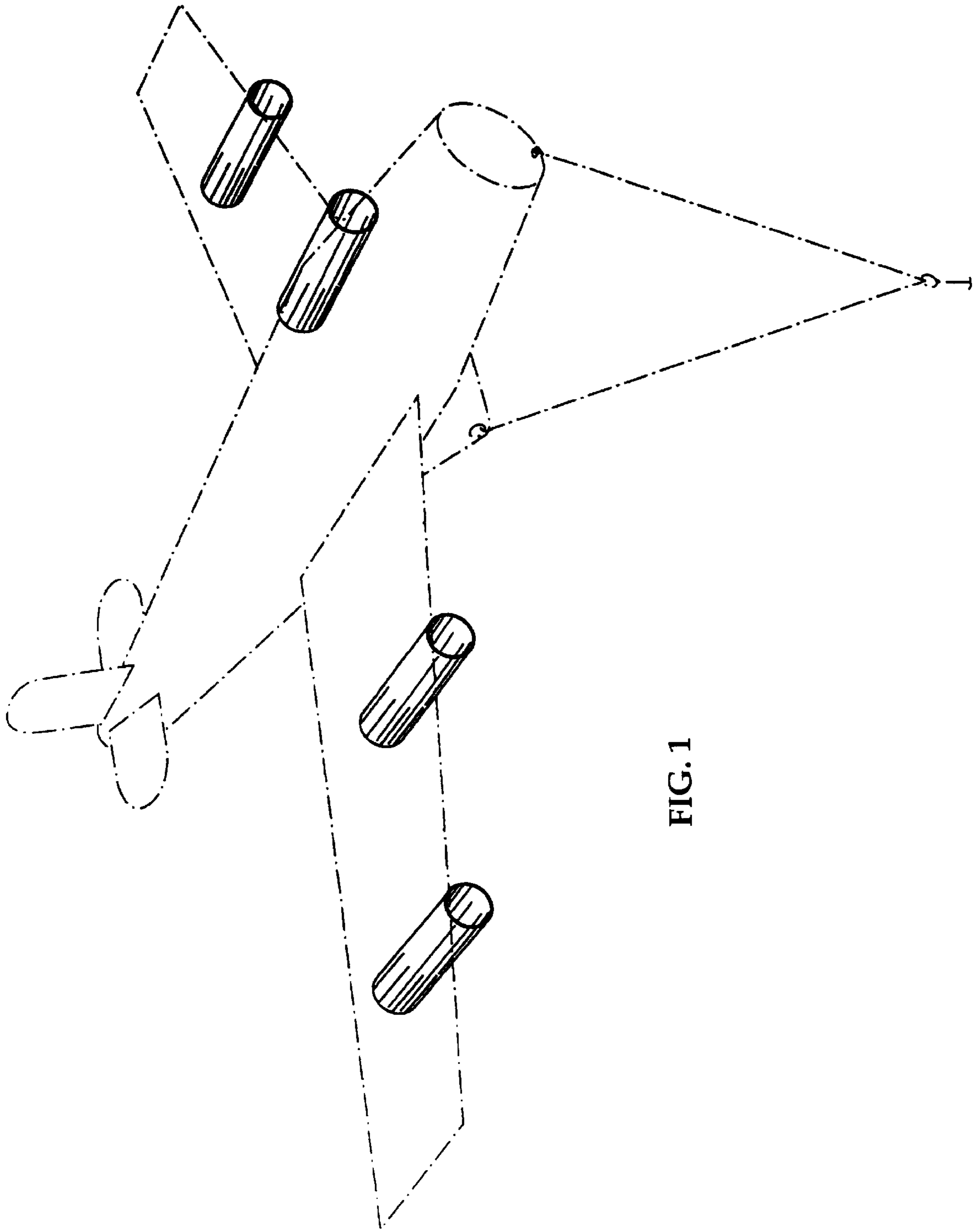


FIG. 1

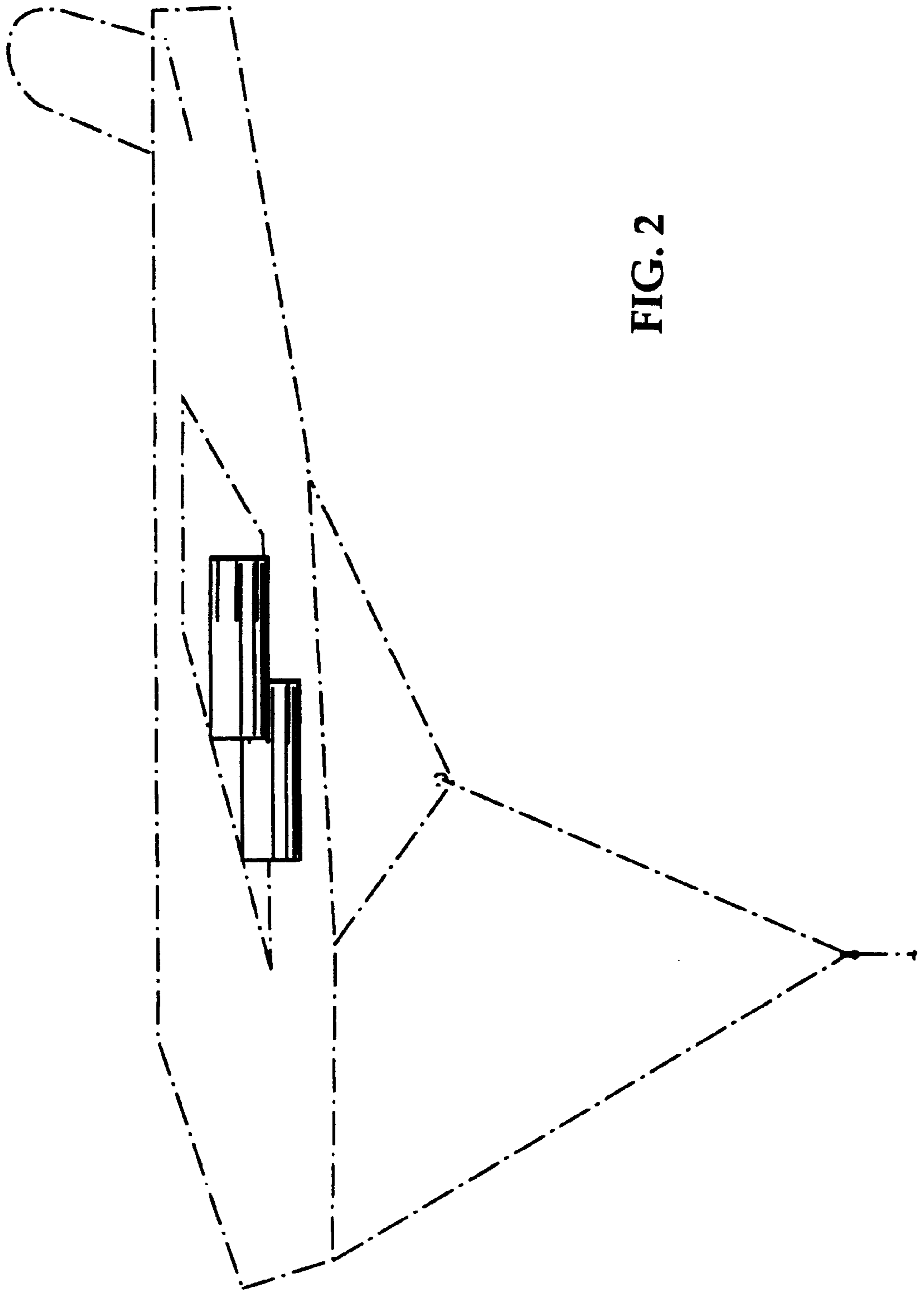


FIG. 2

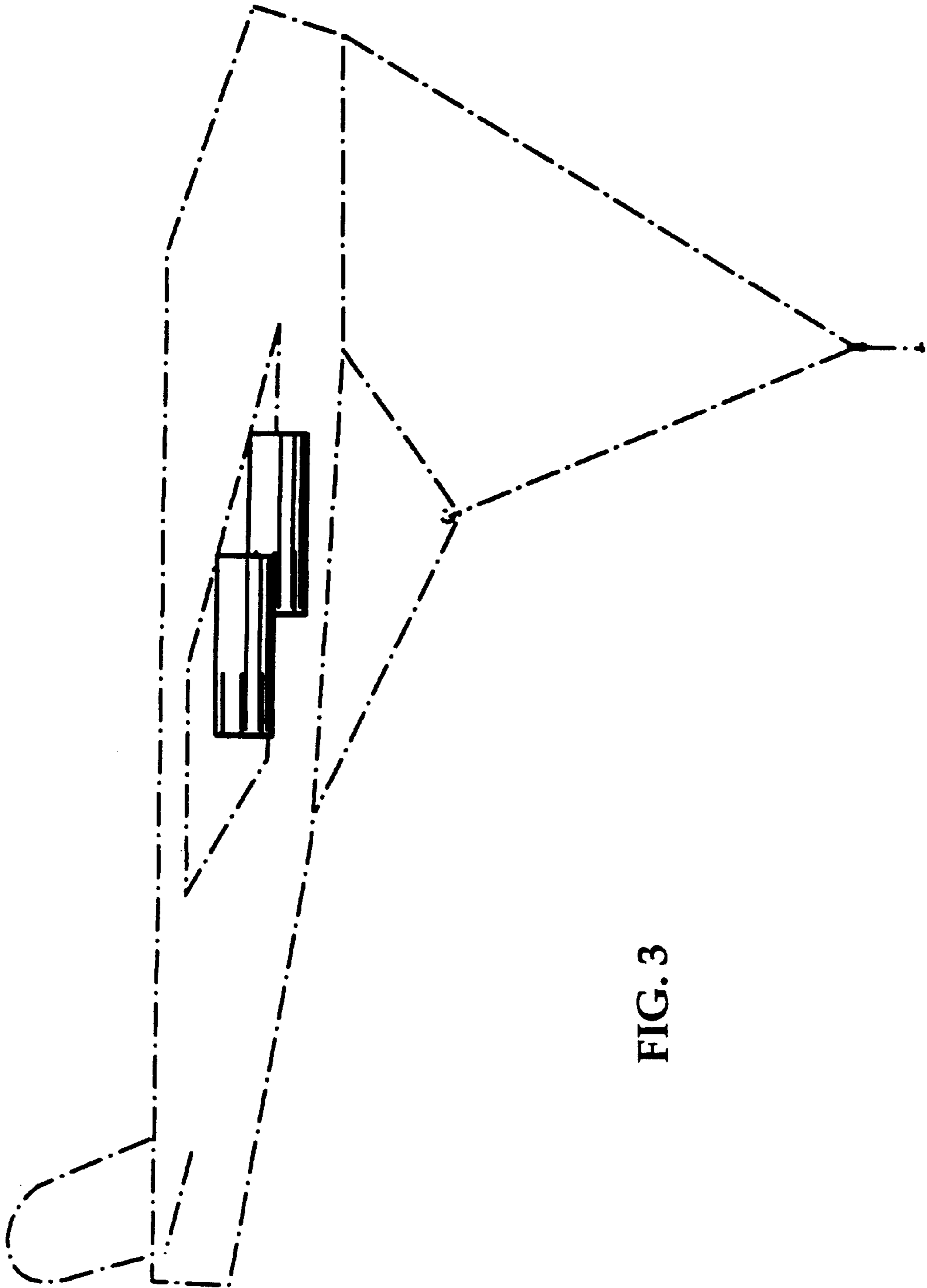


FIG. 3

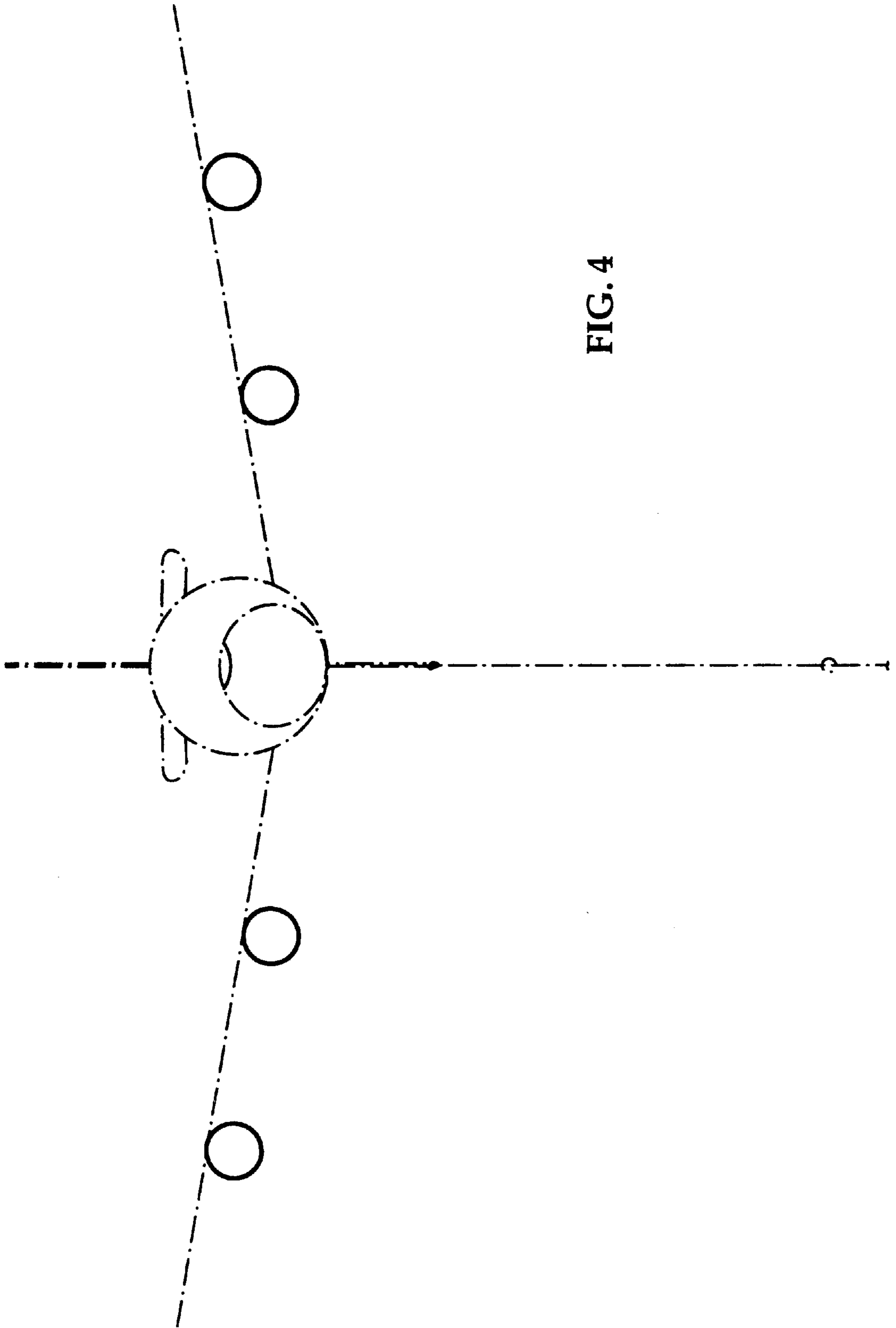


FIG. 4

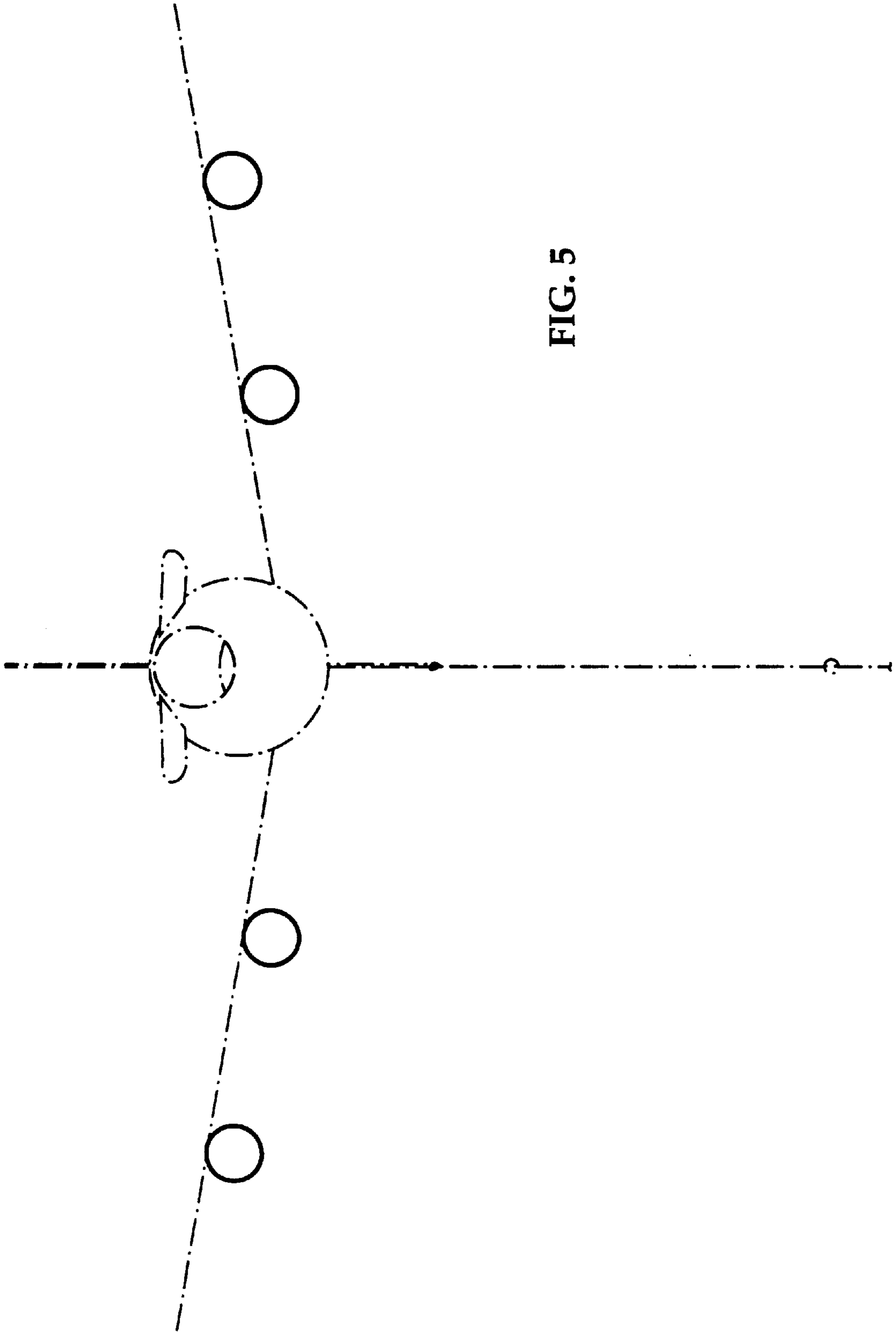


FIG. 5

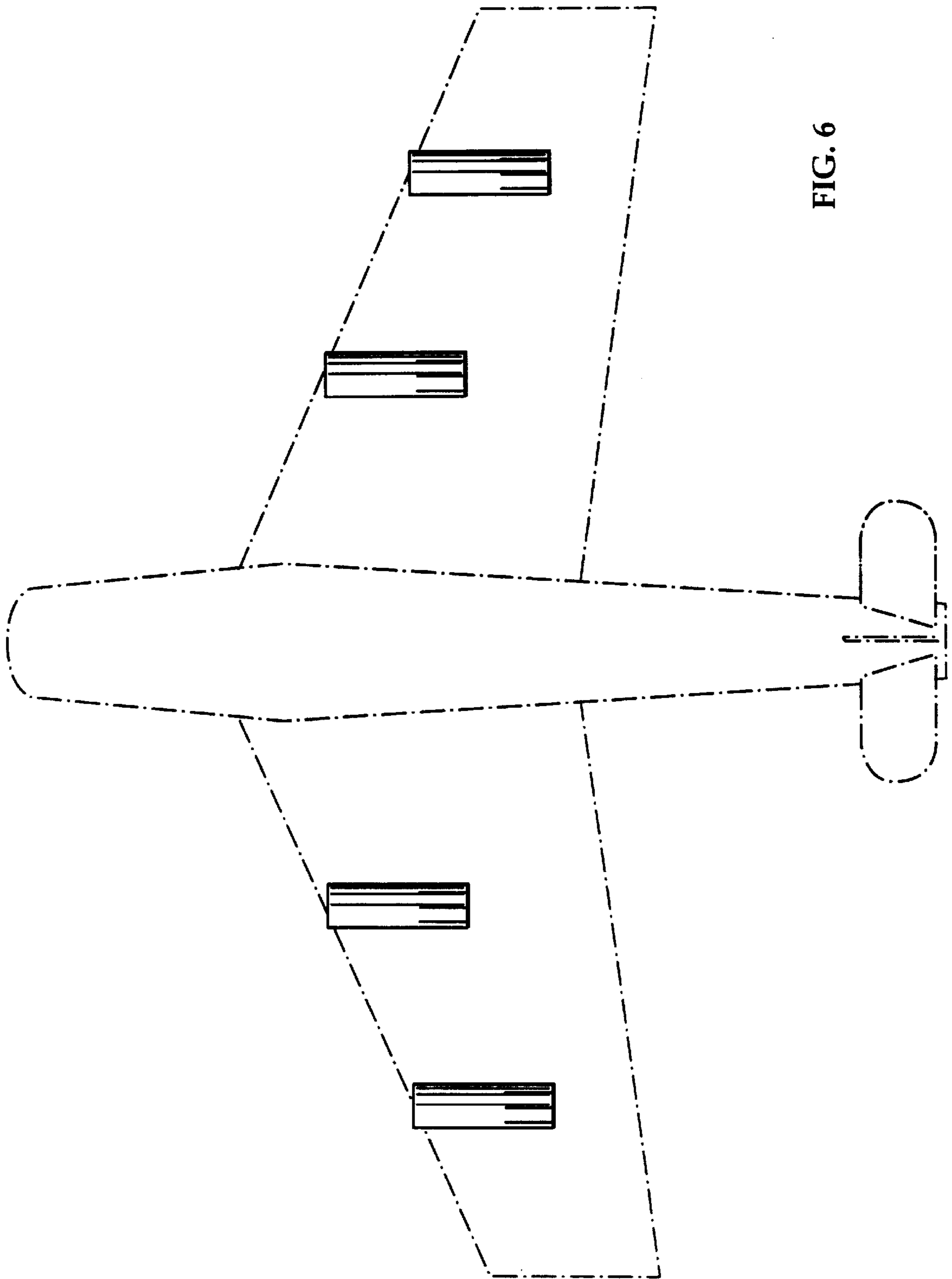


FIG. 6

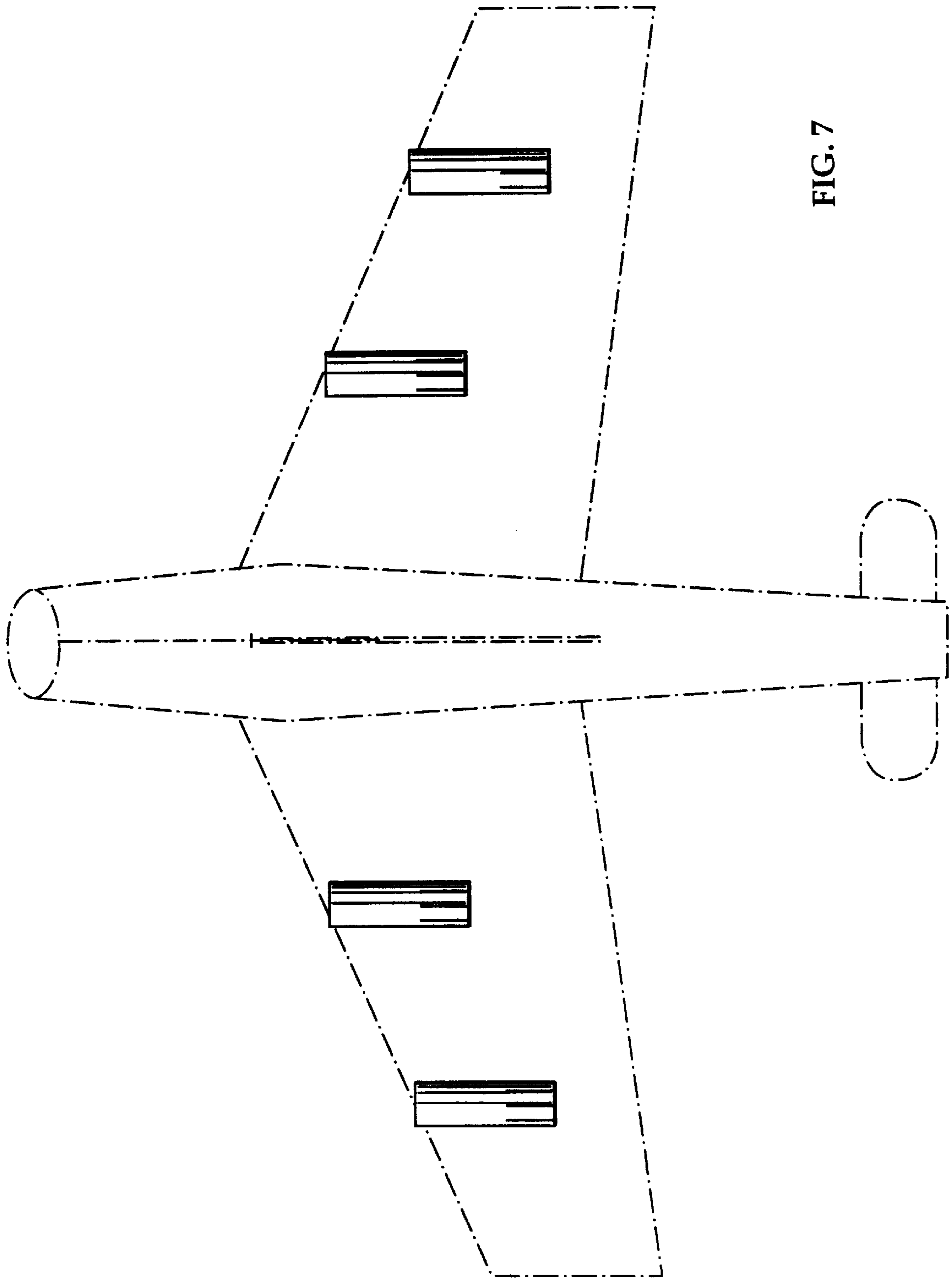


FIG. 7

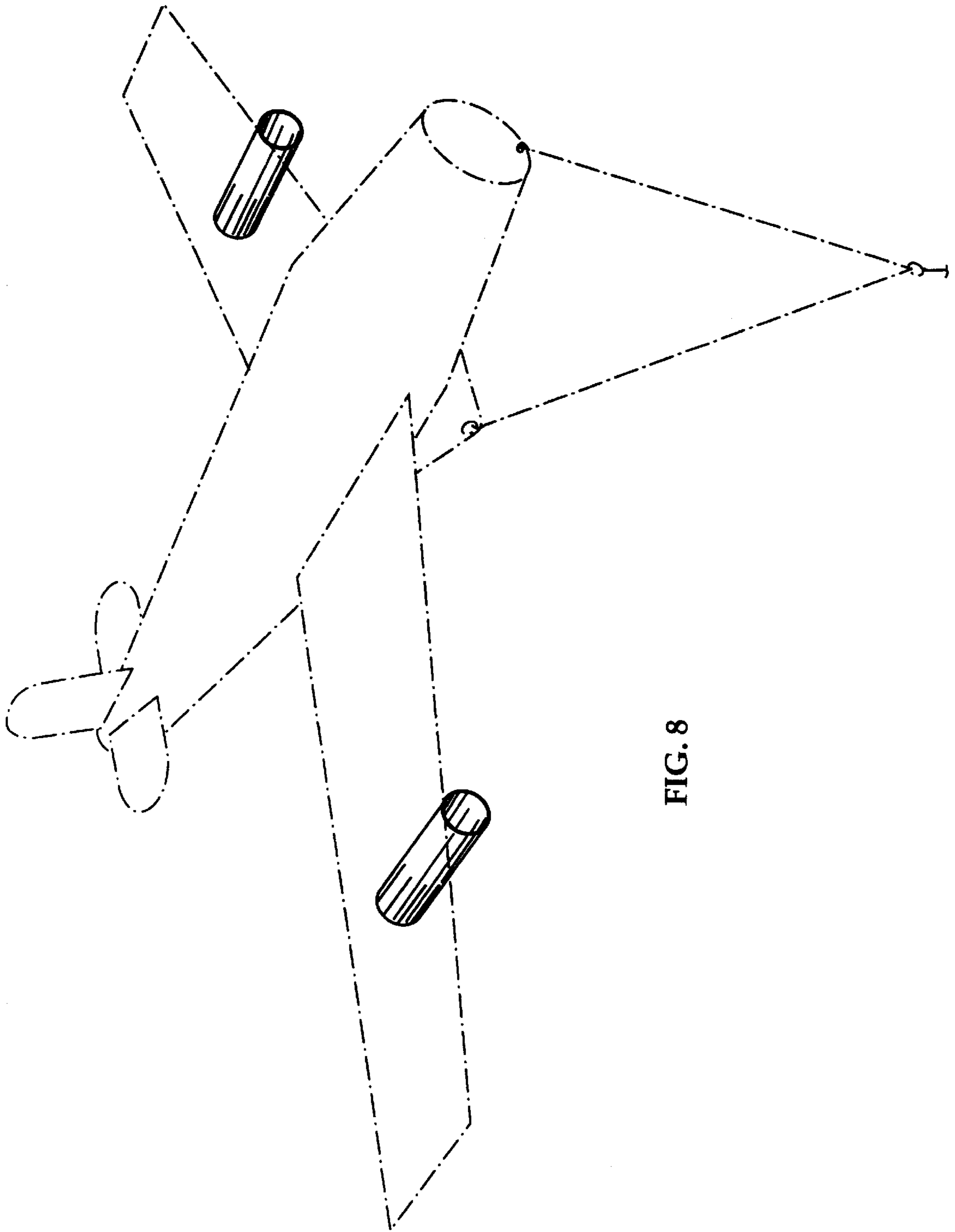


FIG. 8

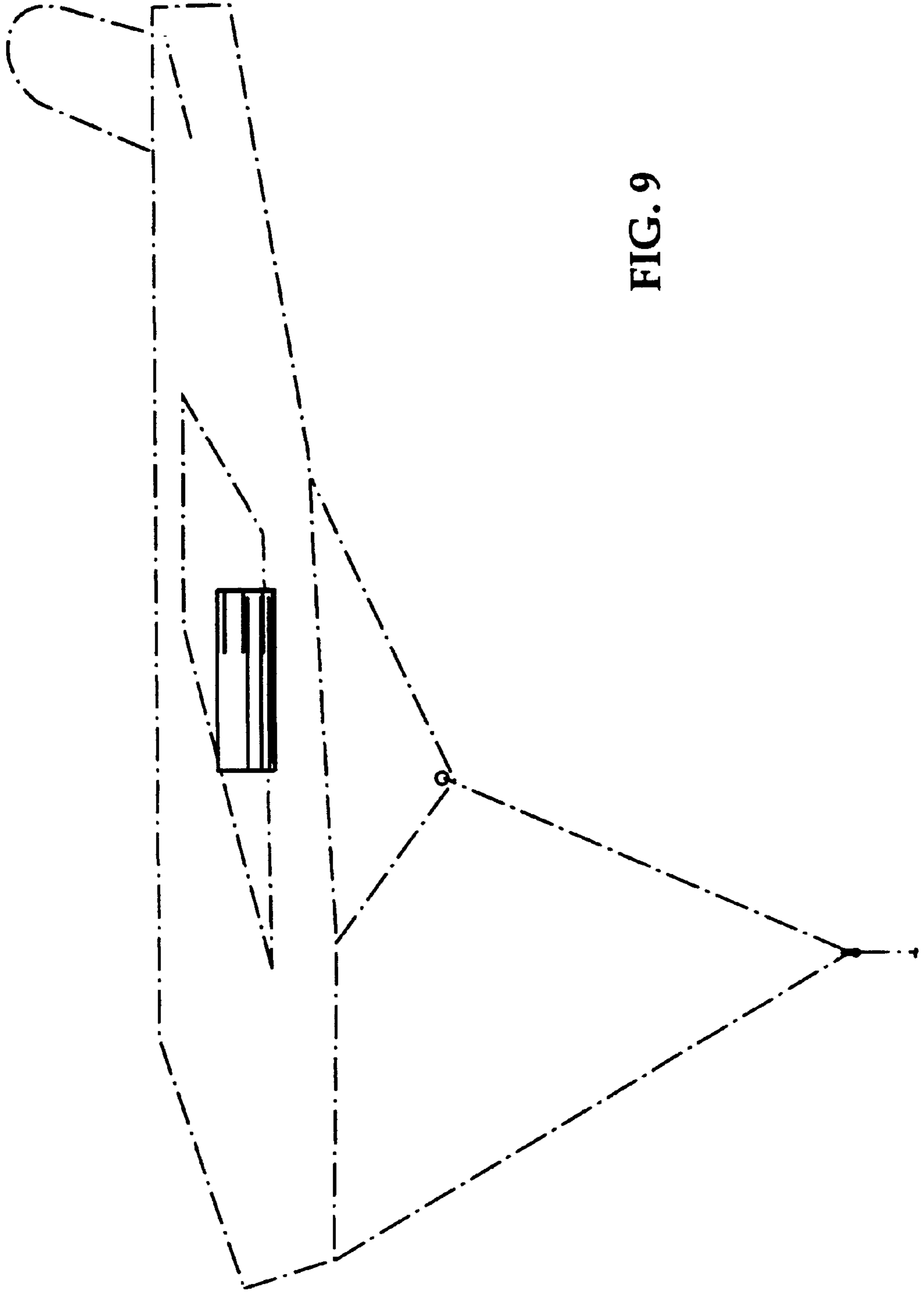


FIG. 9

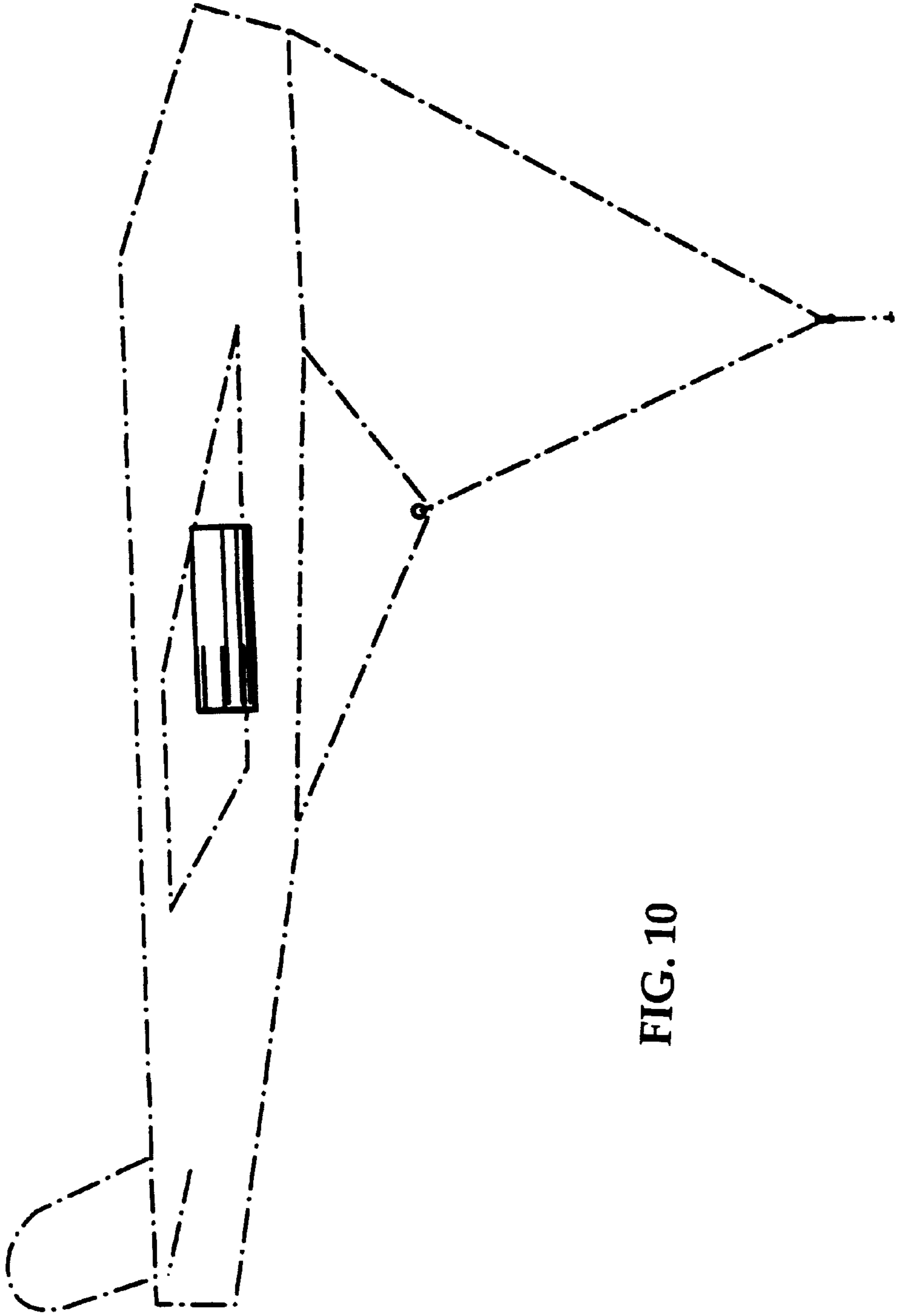


FIG. 10

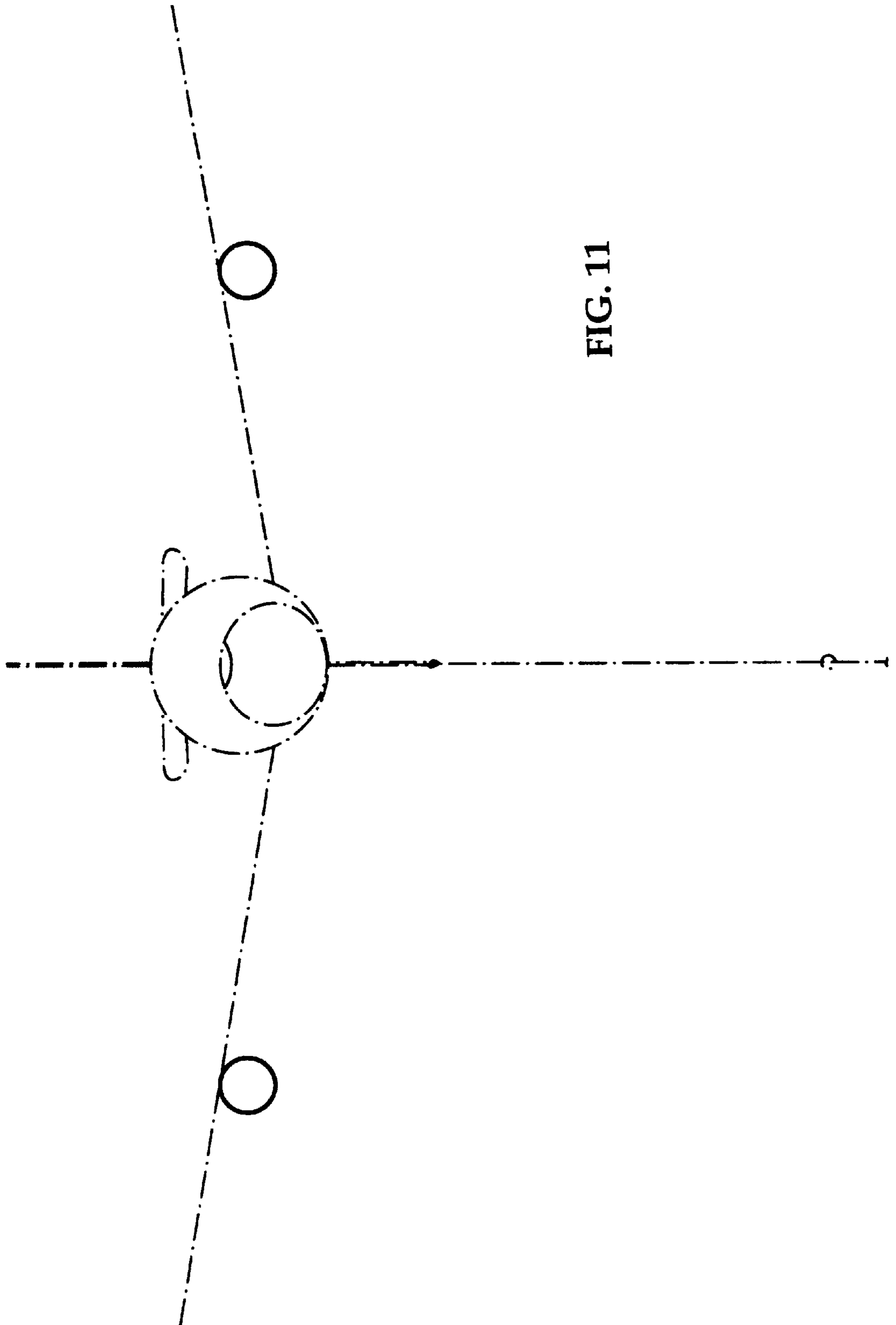


FIG. 11

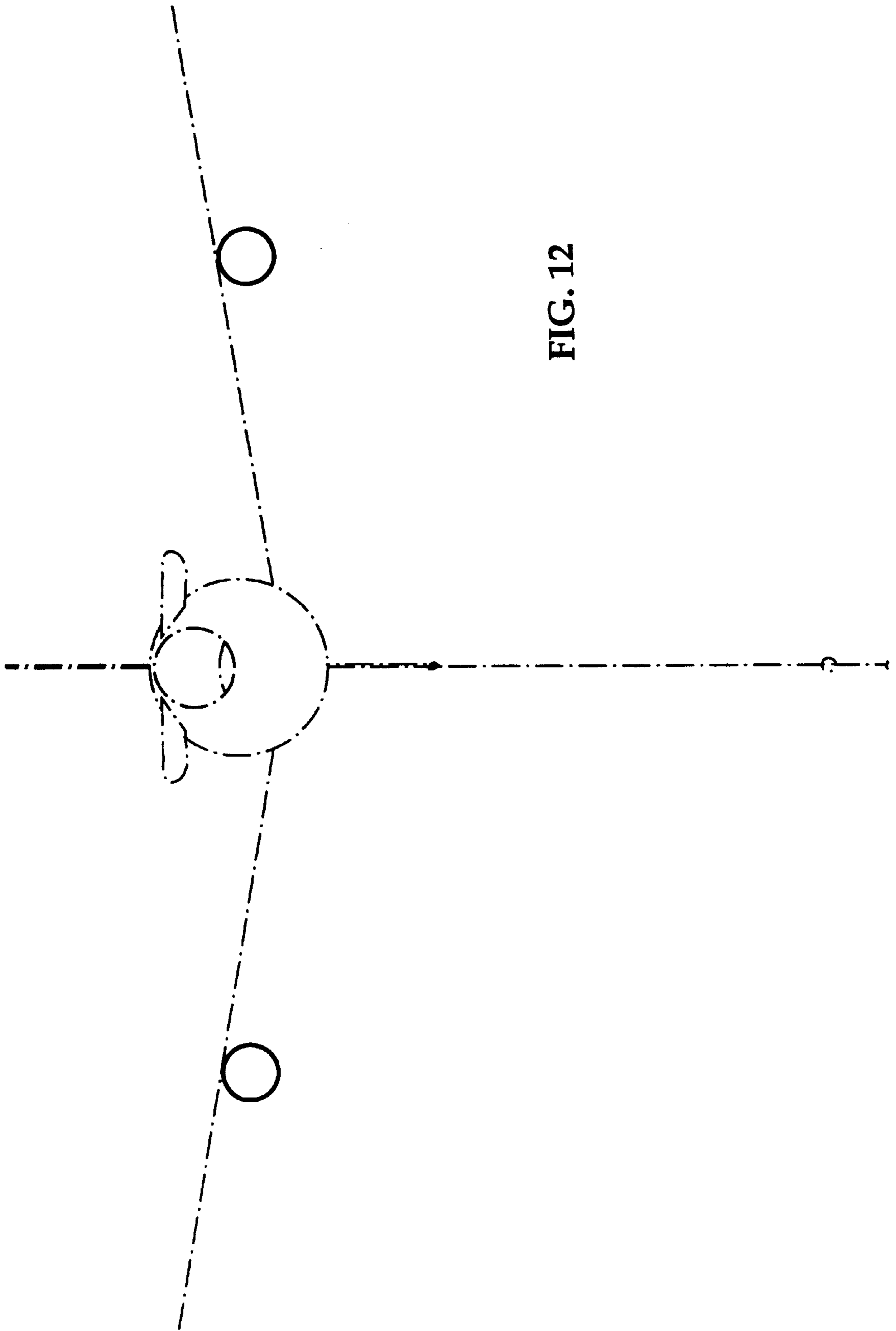


FIG. 12

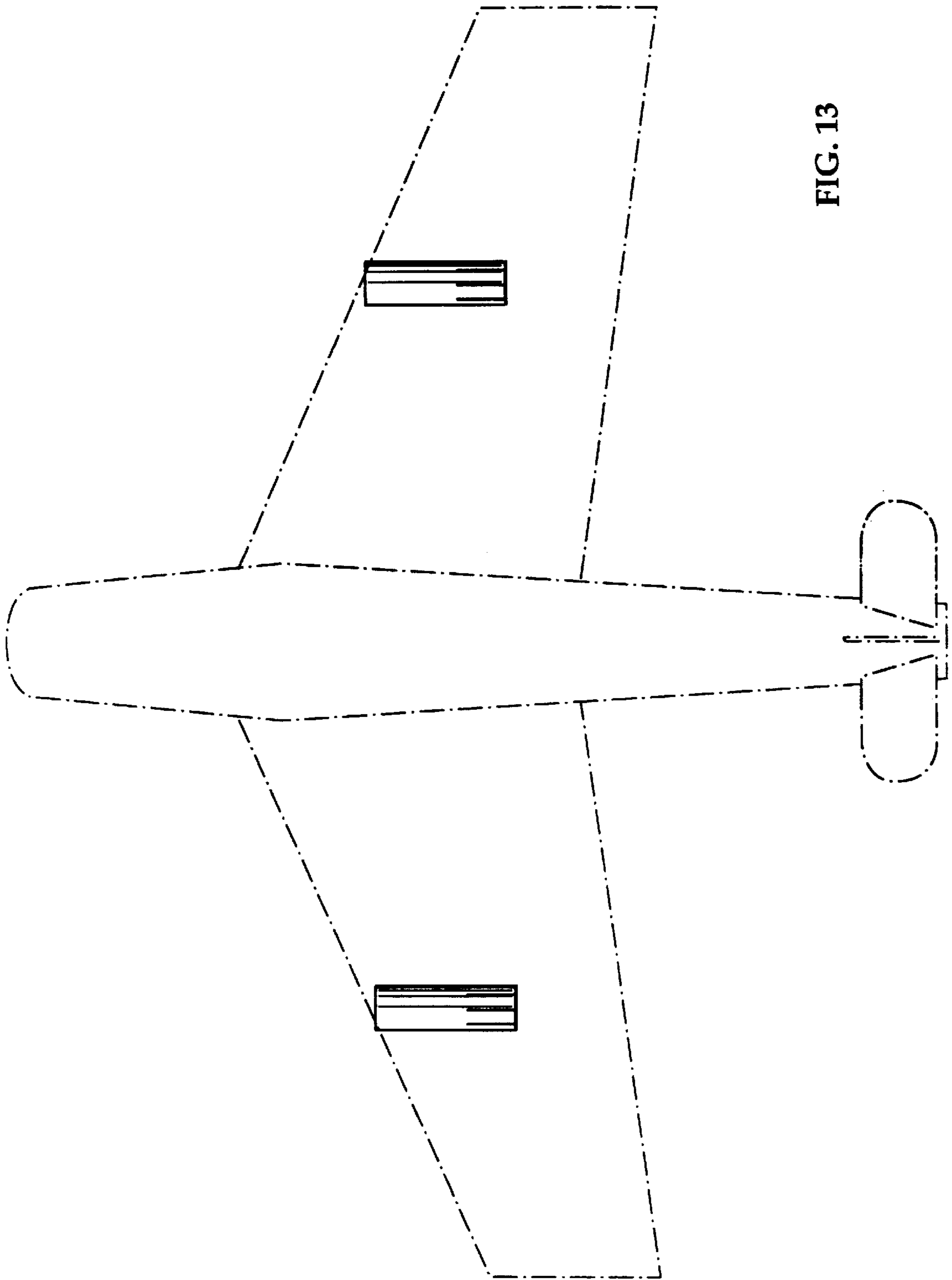


FIG. 13

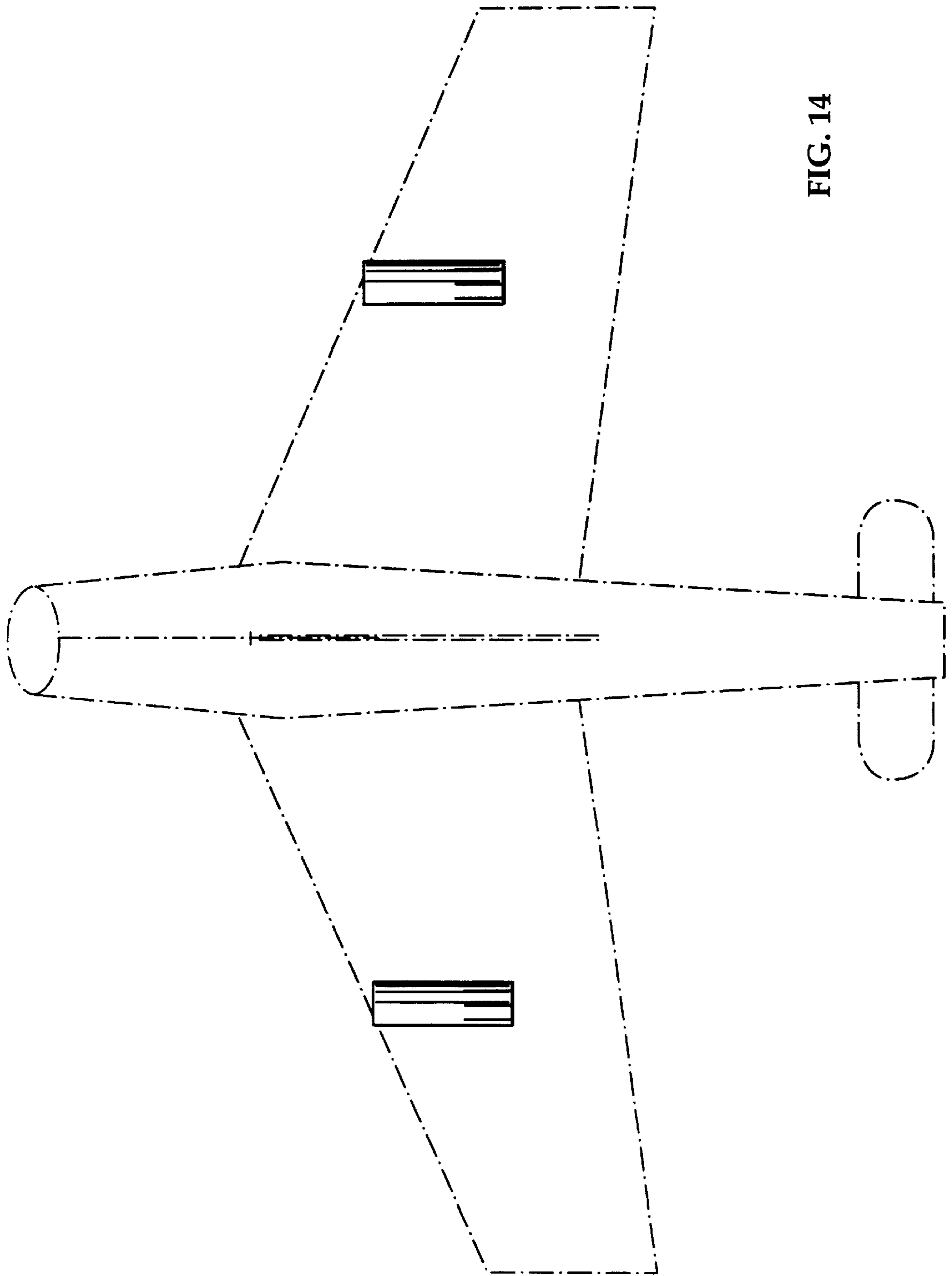


FIG. 14

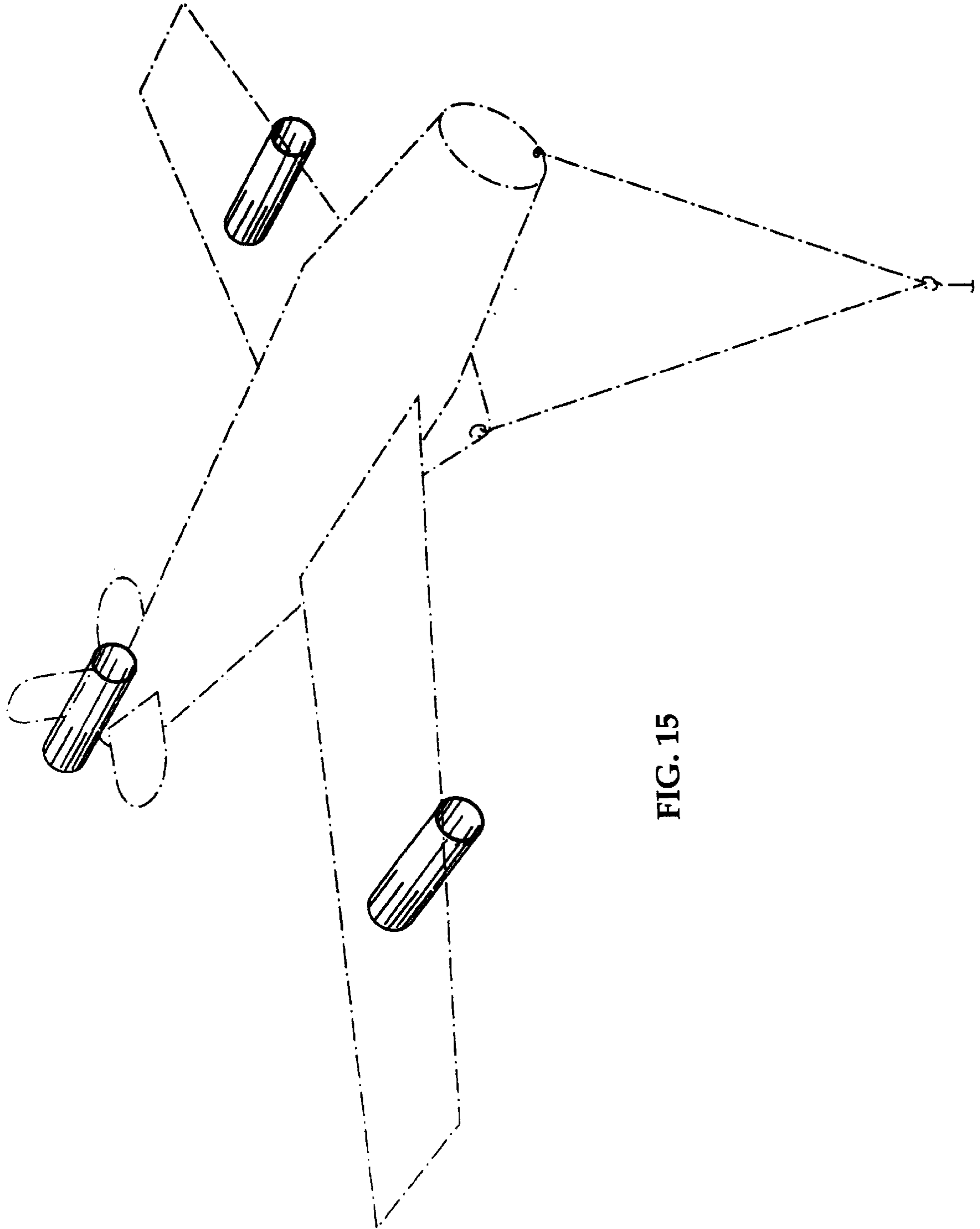


FIG. 15

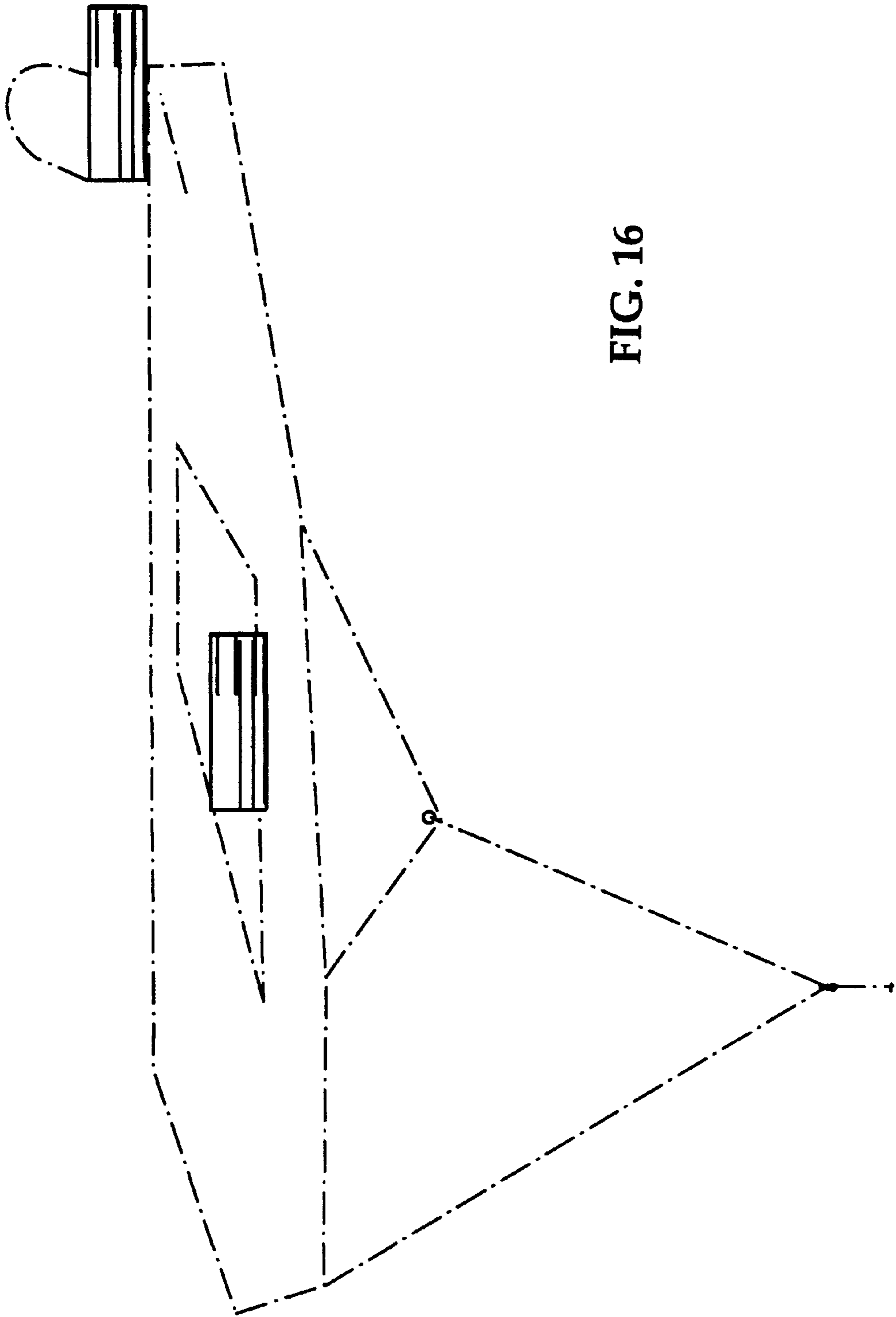


FIG. 16

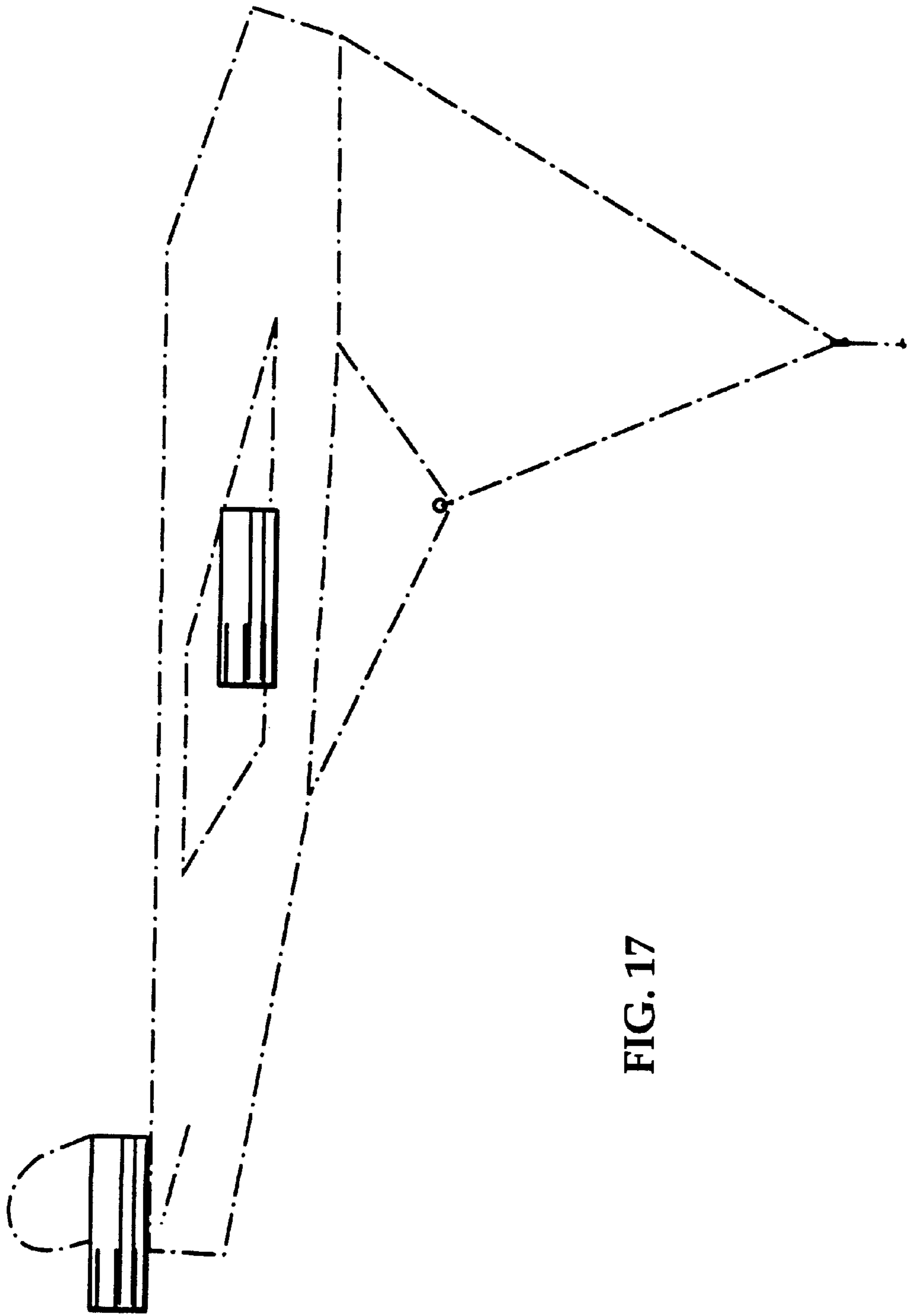


FIG. 17

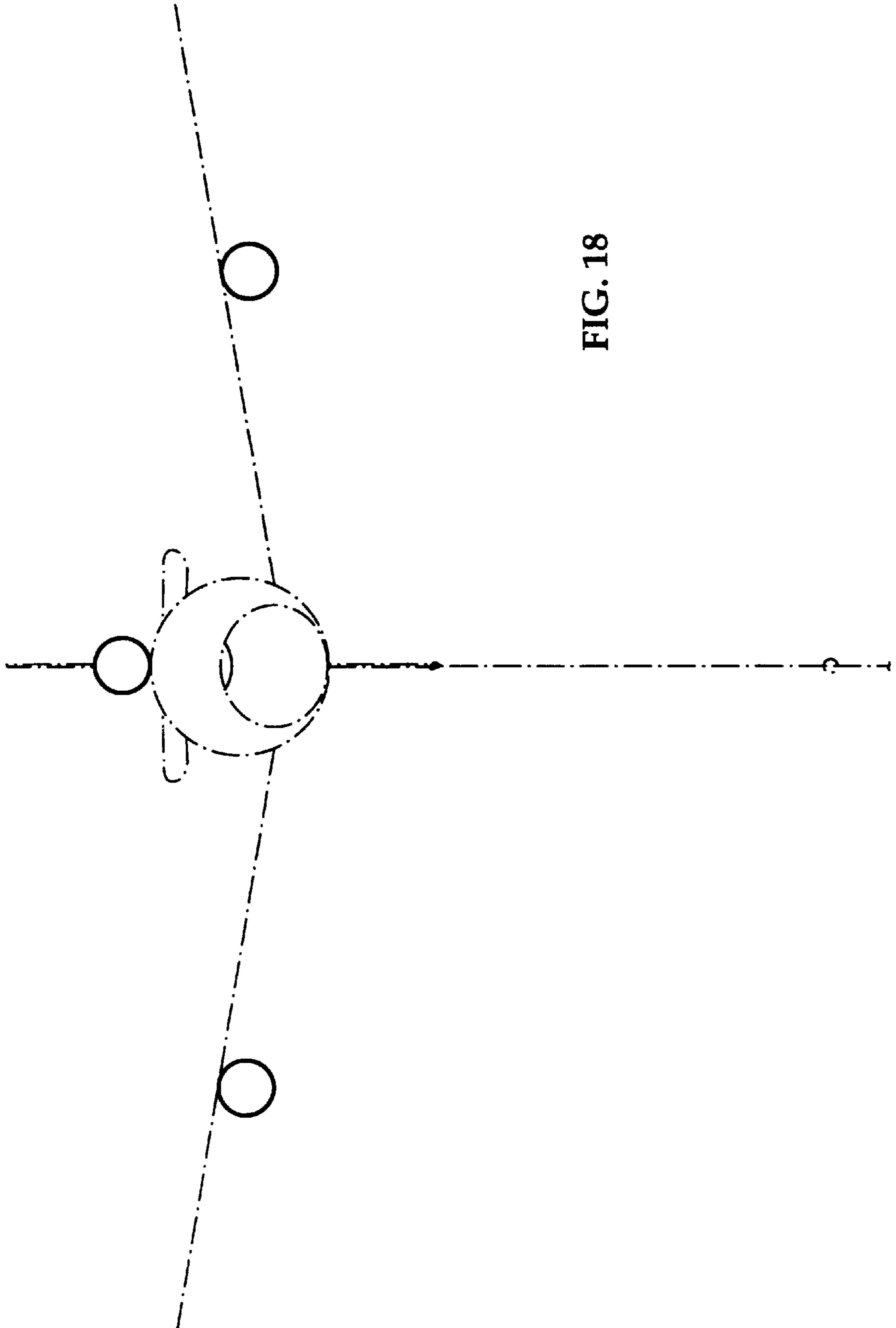


FIG. 18

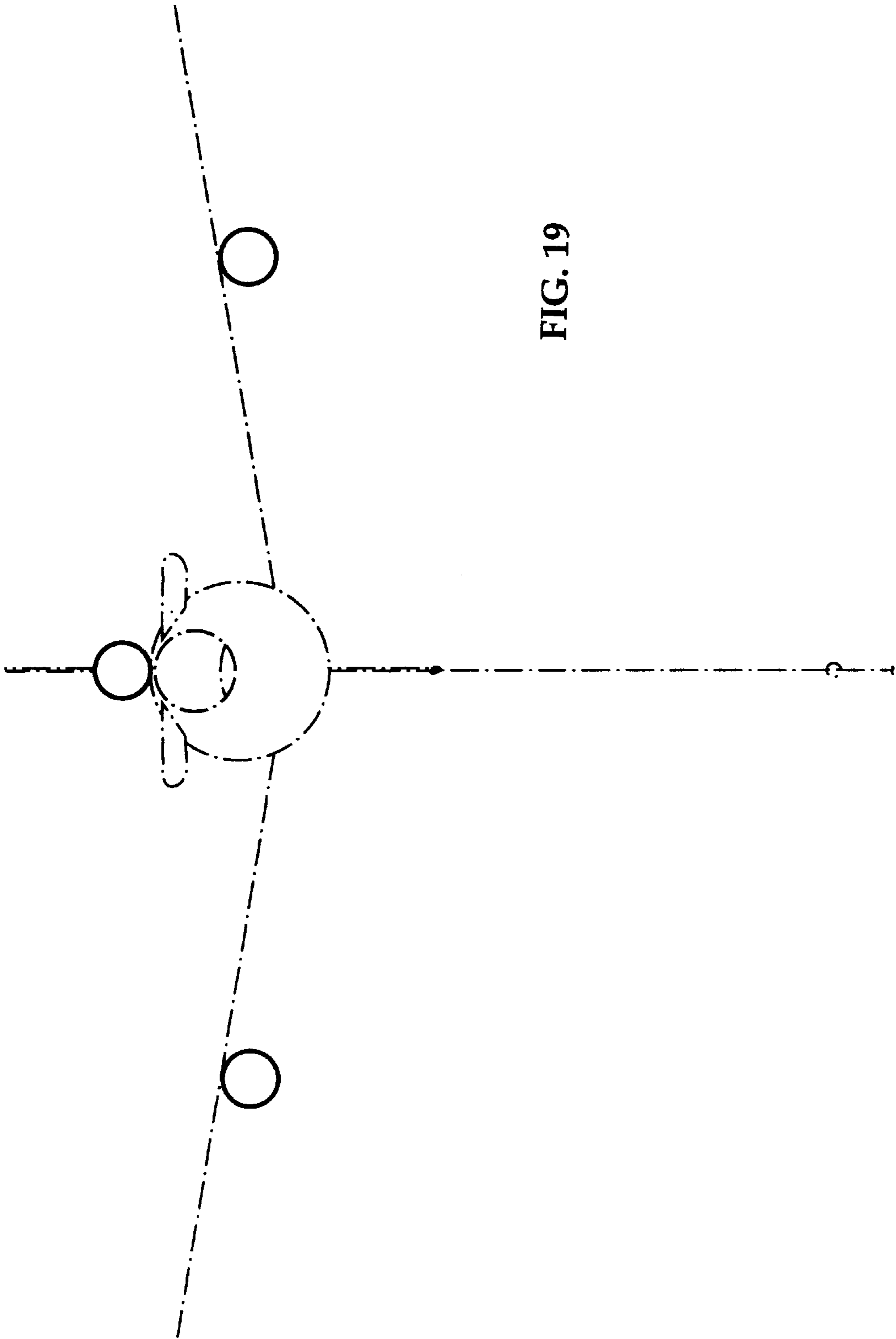


FIG. 19

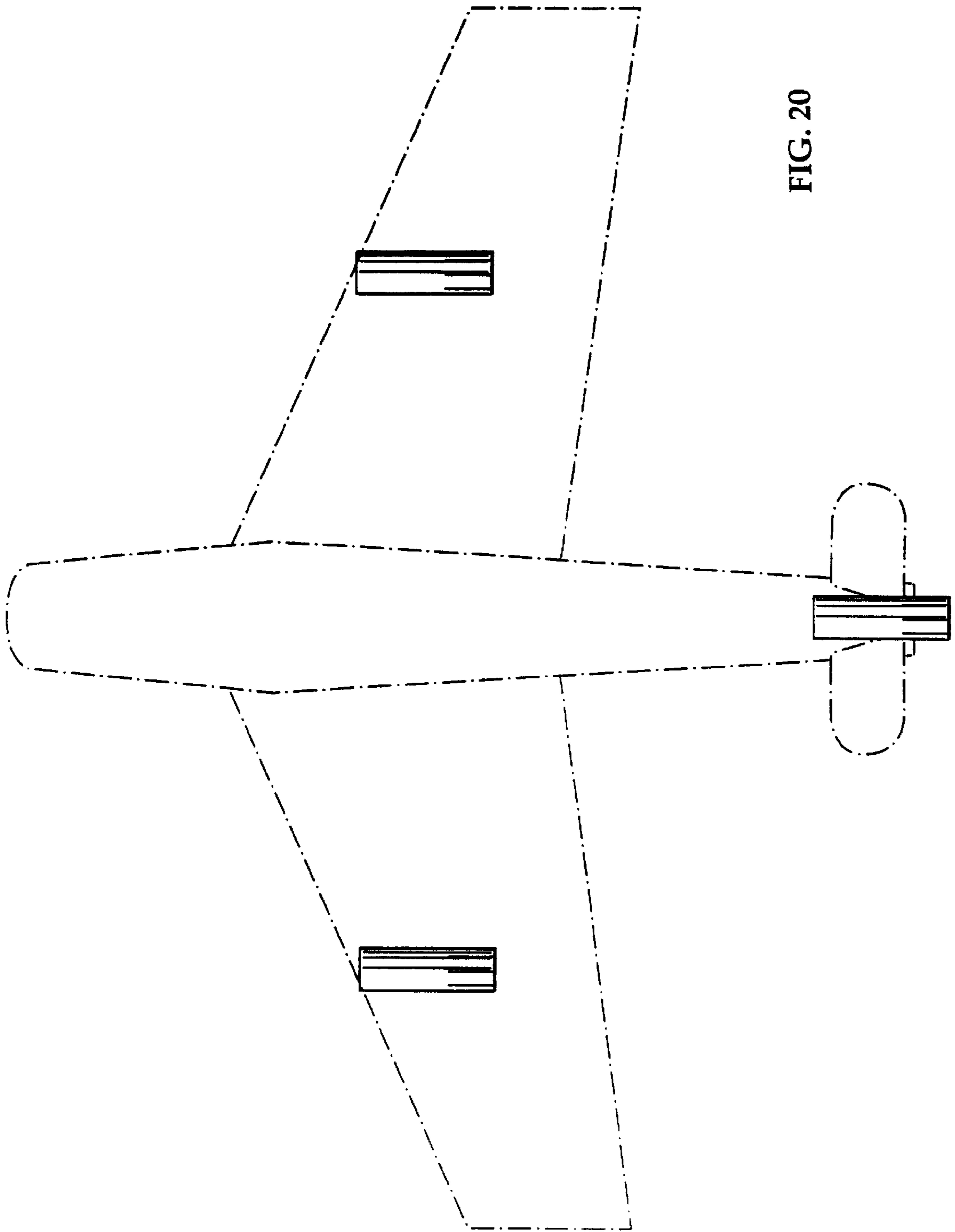


FIG. 20

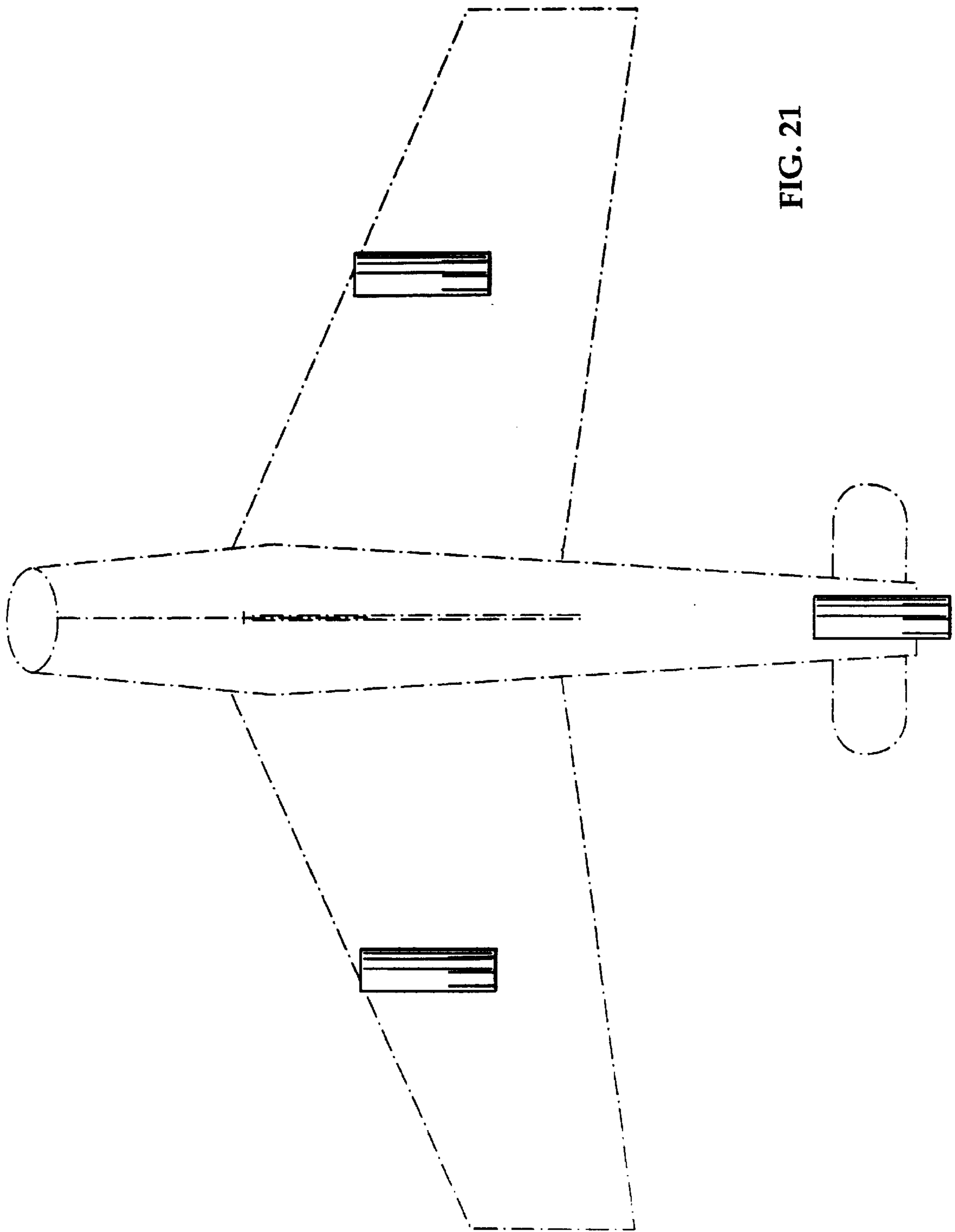


FIG. 21

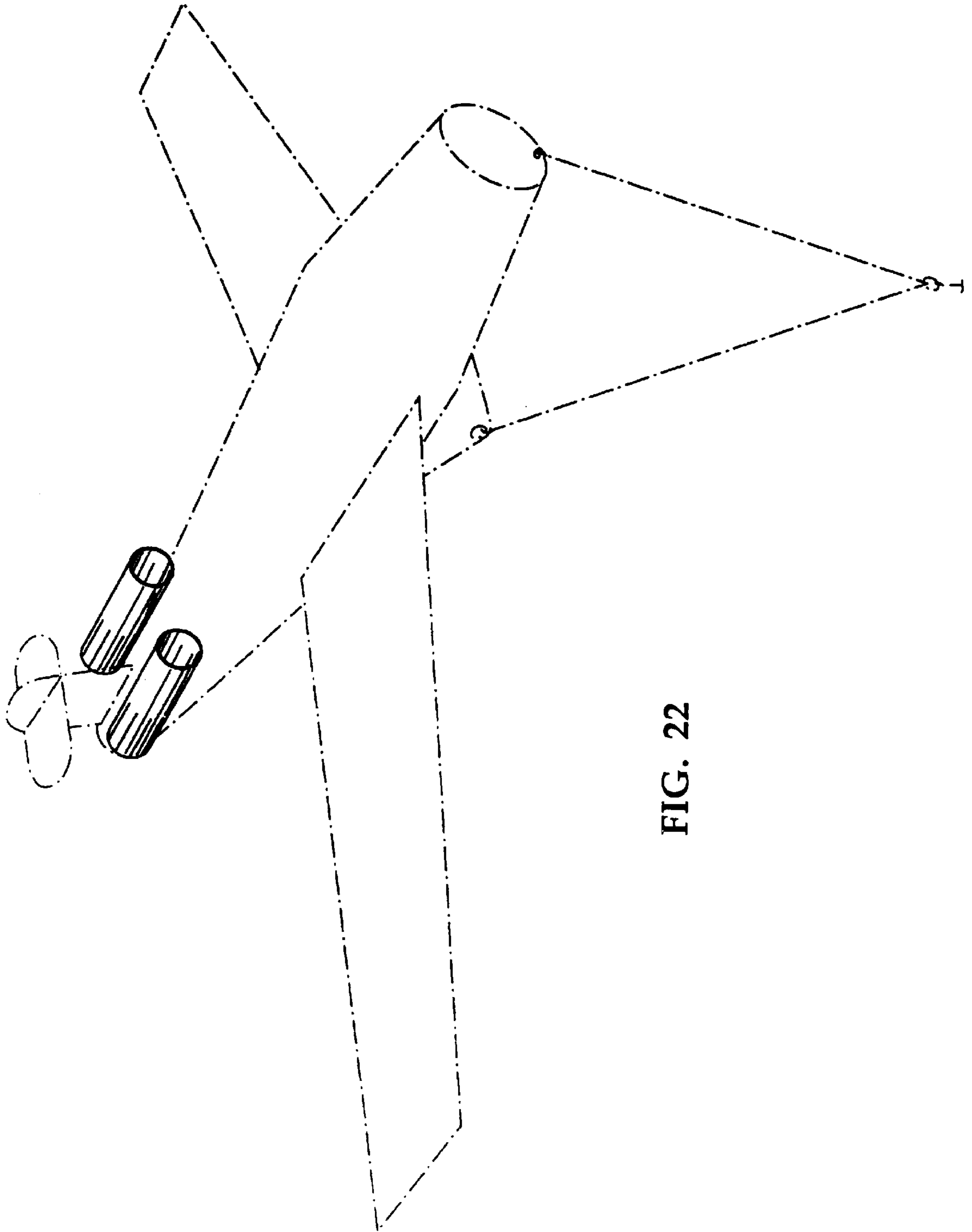


FIG. 22

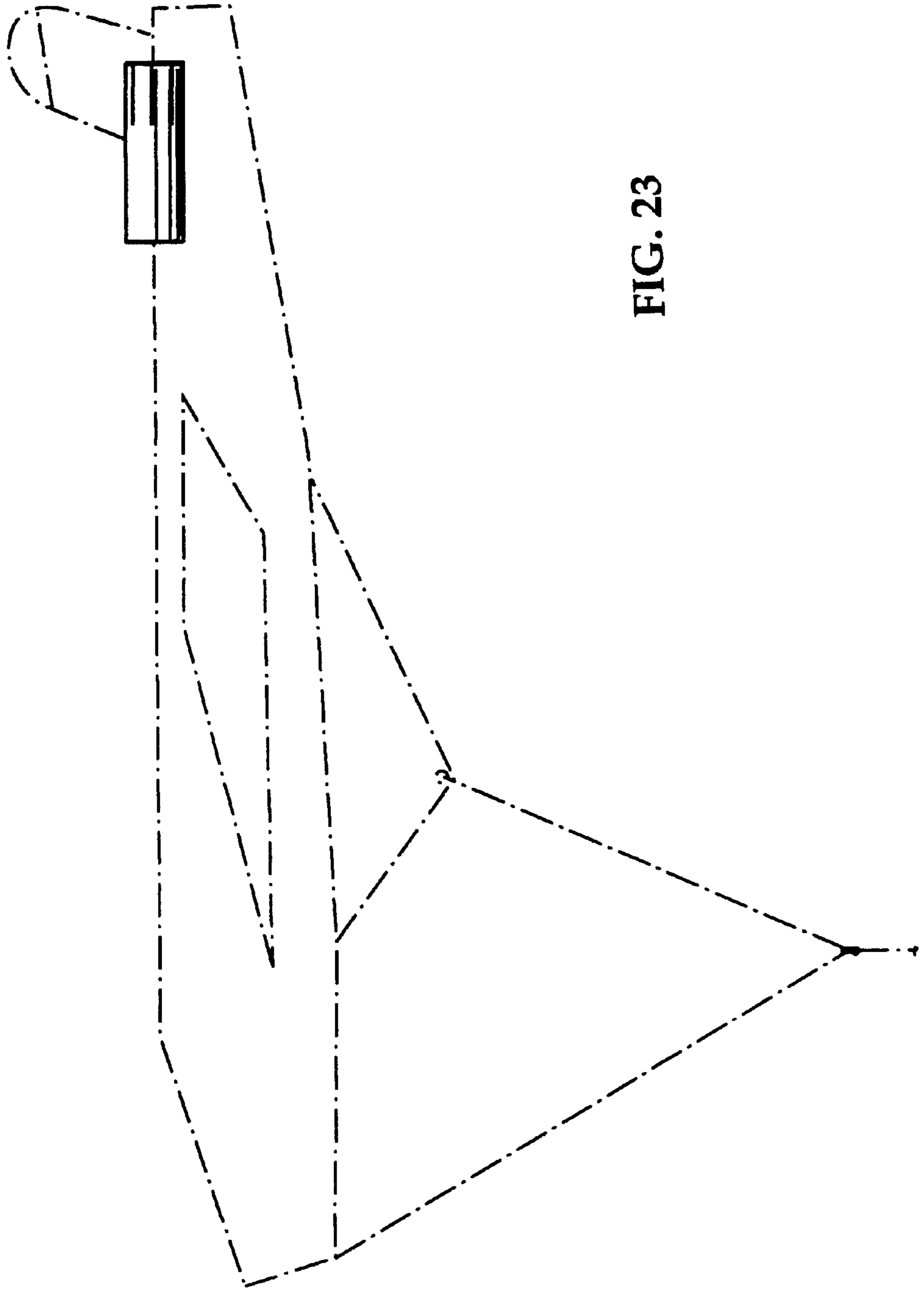


FIG. 23

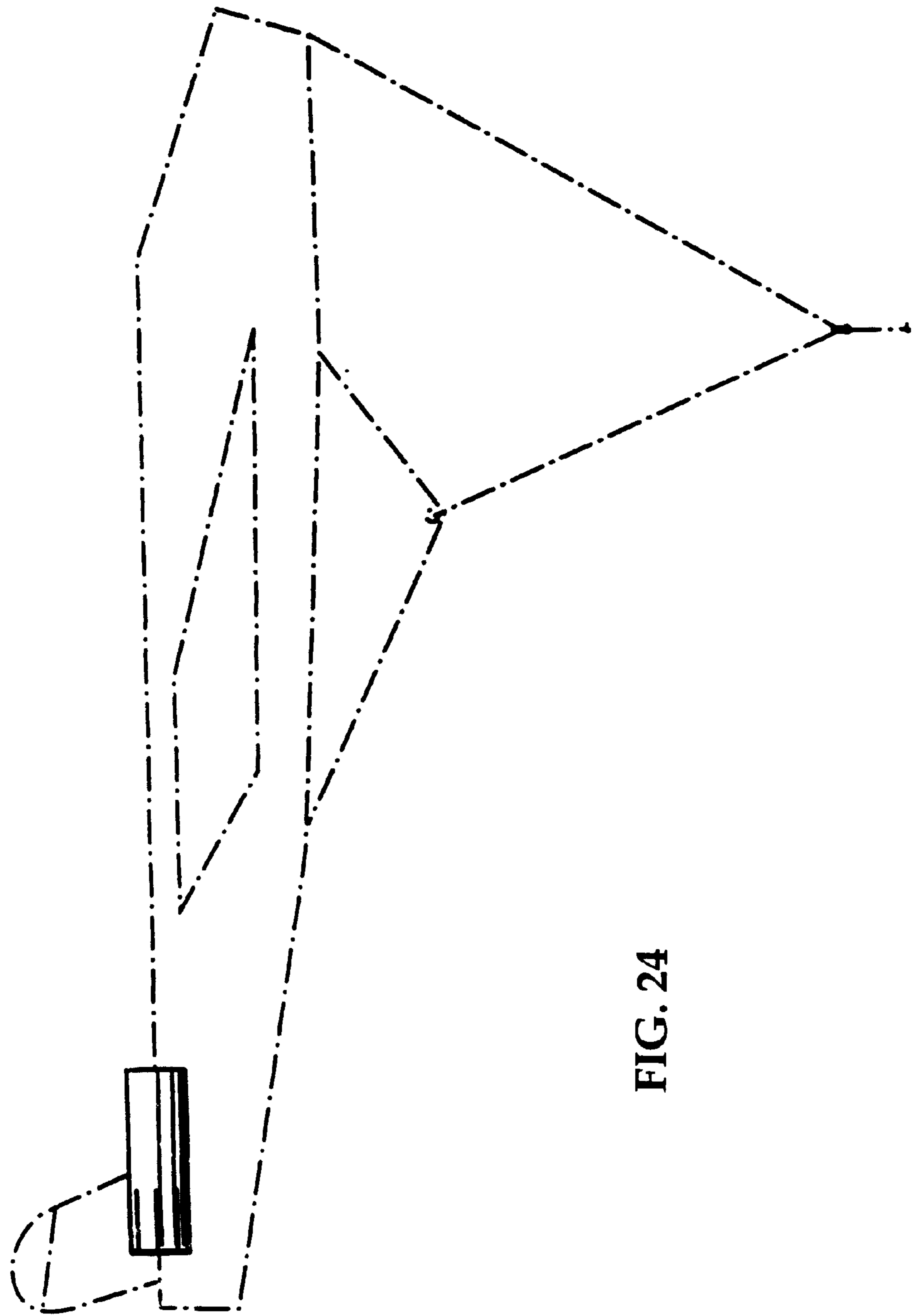


FIG. 24

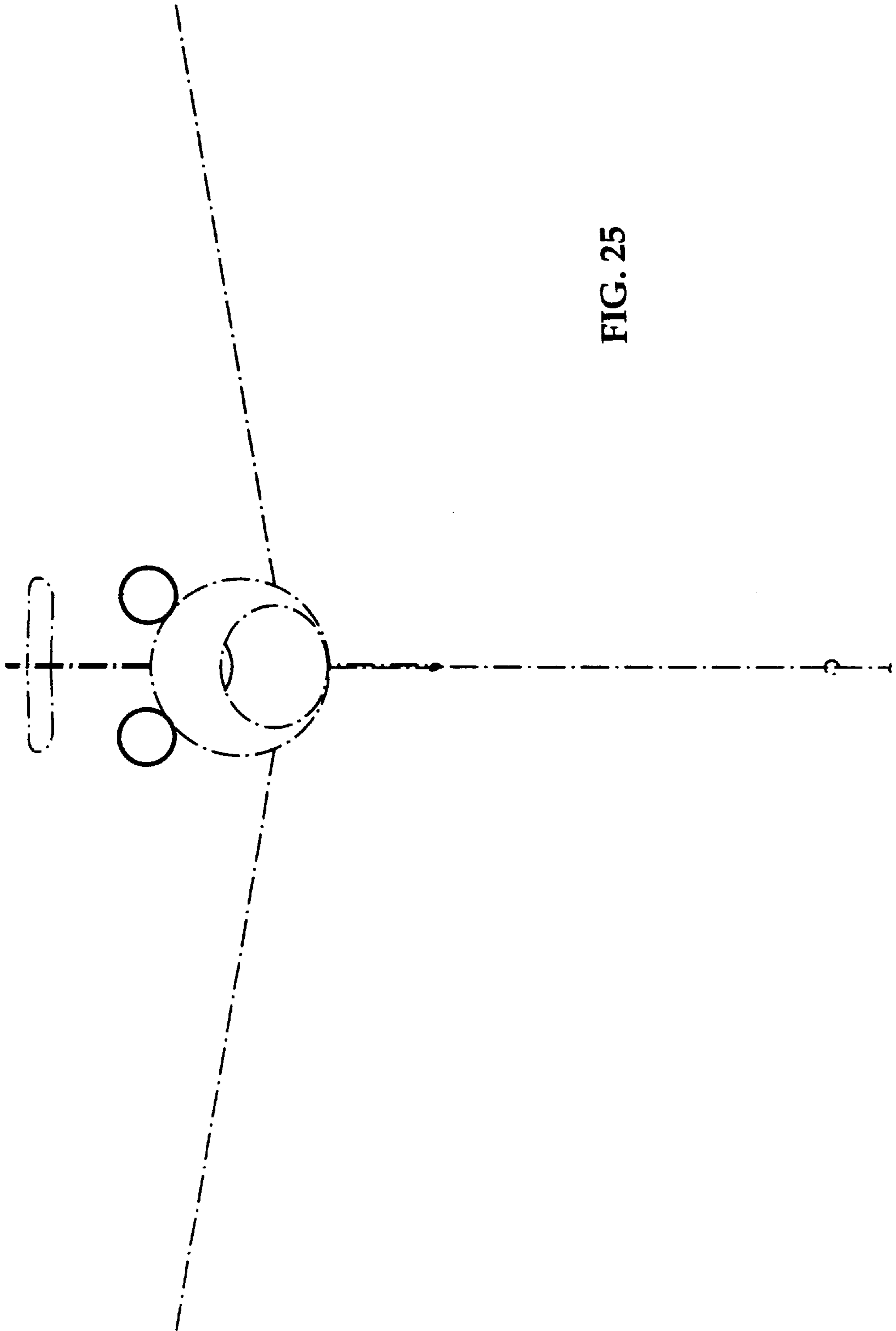


FIG. 25

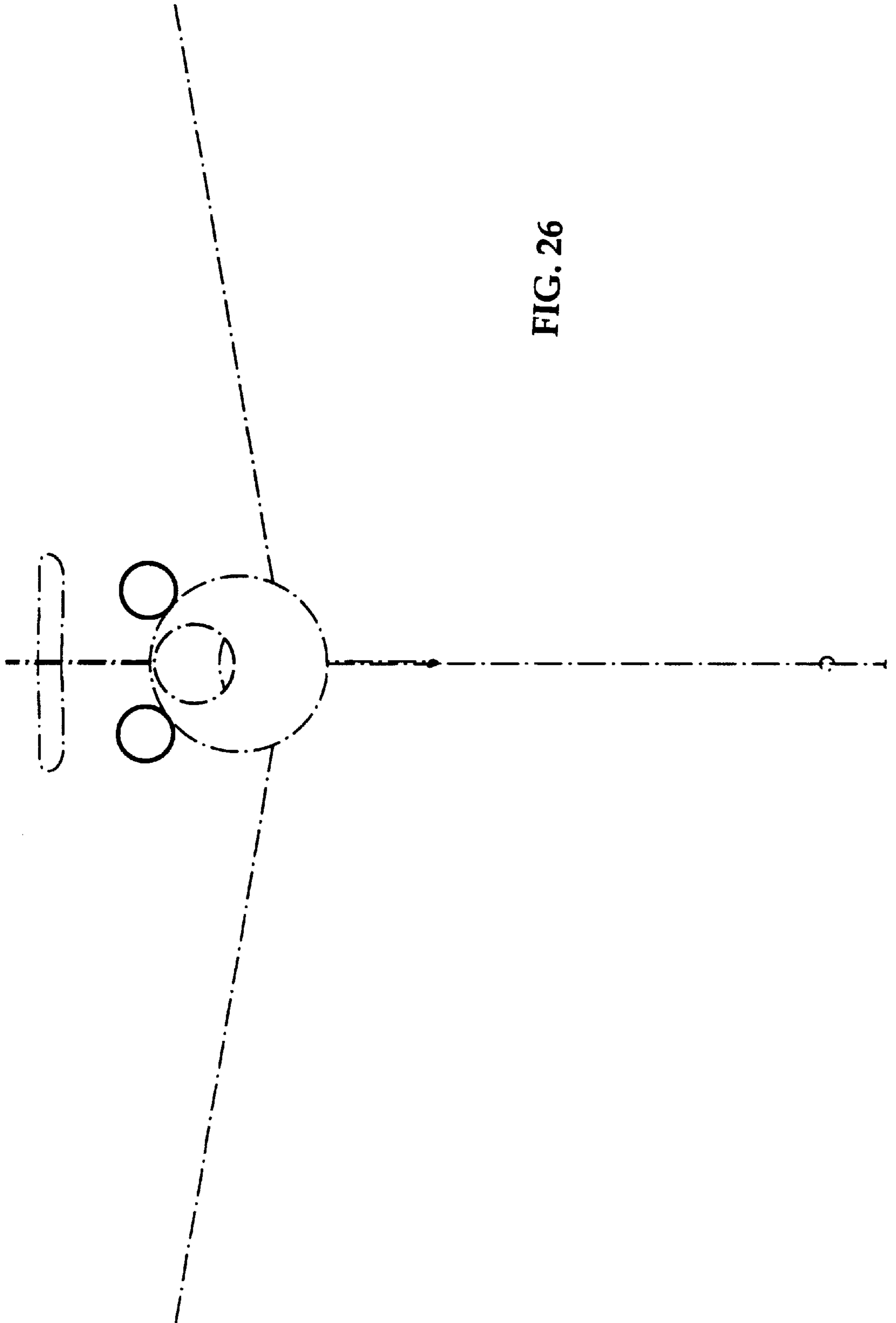


FIG. 26

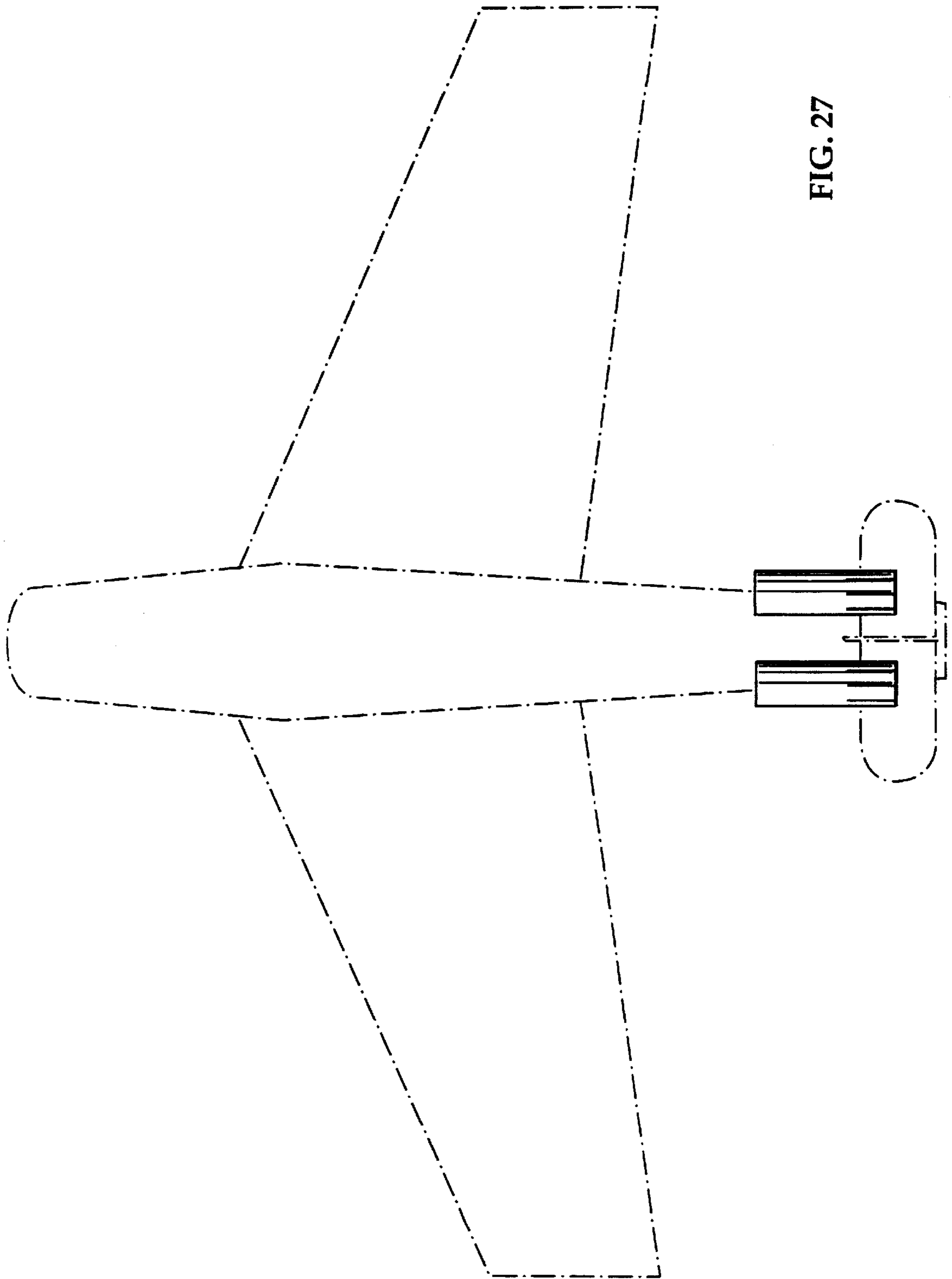


FIG. 27

