



US00D428071S

**United States Patent** [19]  
**Wang**

[11] **Patent Number: Des. 428,071**

[45] **Date of Patent: \*\* Jul. 11, 2000**

[54] **KITE**  
[75] Inventor: **Jay Wang**, Missisagua, Canada  
[73] Assignee: **Itemax International Inc.**,  
Mississauga, Canada  
[\*\*] Term: **14 Years**  
[21] Appl. No.: **29/107,615**  
[22] Filed: **Jul. 12, 1999**  
[51] **LOC (7) Cl.** ..... **21-01**  
[52] **U.S. Cl.** ..... **D21/453; D21/445**  
[58] **Field of Search** ..... **D21/445-447,**  
**D21/449, 453; 224/153 R, 154, 153 A**

2,124,992 7/1938 Wood .  
3,284,033 11/1966 Ventre ..... 244/154  
4,830,313 5/1989 Cheng .

*Primary Examiner*—Dominic Simone  
*Attorney, Agent, or Firm*—Bereskin & Parr

[57] **CLAIM**

The ornamental design for a kite, as shown and described.

**DESCRIPTION**

FIG. 1 is an isometric view from the front and to one side of the new design;  
FIG. 2 is a left side elevational view thereof;  
FIG. 3 is a right side elevational view thereof;  
FIG. 4 is a front elevational view thereof;  
FIG. 5 is a rear elevational view thereof;  
FIG. 6 is a top plan view thereof; and,  
FIG. 7 is a bottom plan view thereof.  
The portion of the kite shown in broken lines in all views is for illustrative purposes only and forms no part of the claimed design.

[56] **References Cited**  
**U.S. PATENT DOCUMENTS**  
D. 57,437 3/1921 Keller .  
D. 95,101 4/1935 Williams .  
D. 246,736 12/1977 Barrett et al. .  
D. 407,126 3/1999 Wang .

**1 Claim, 7 Drawing Sheets**

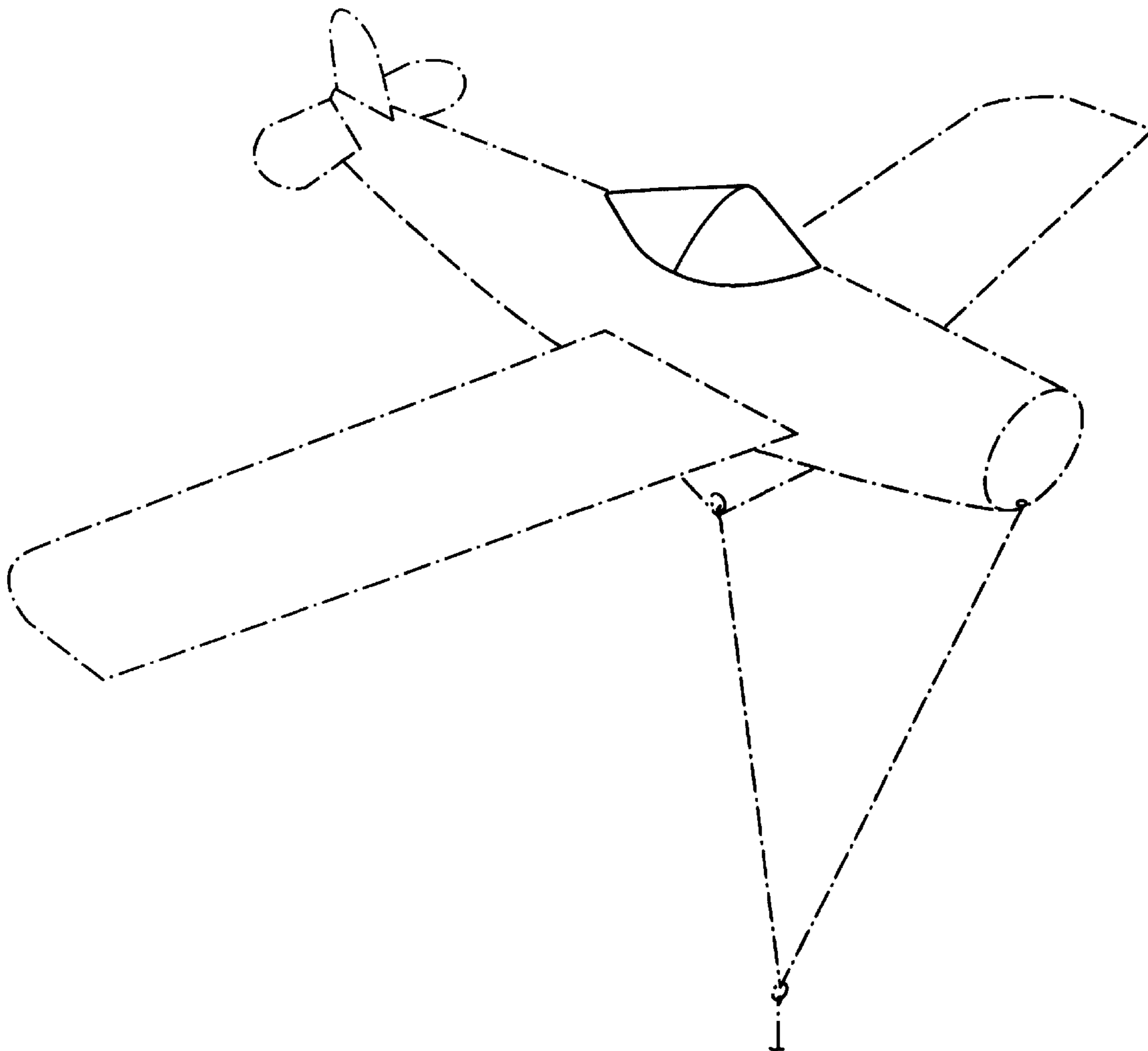
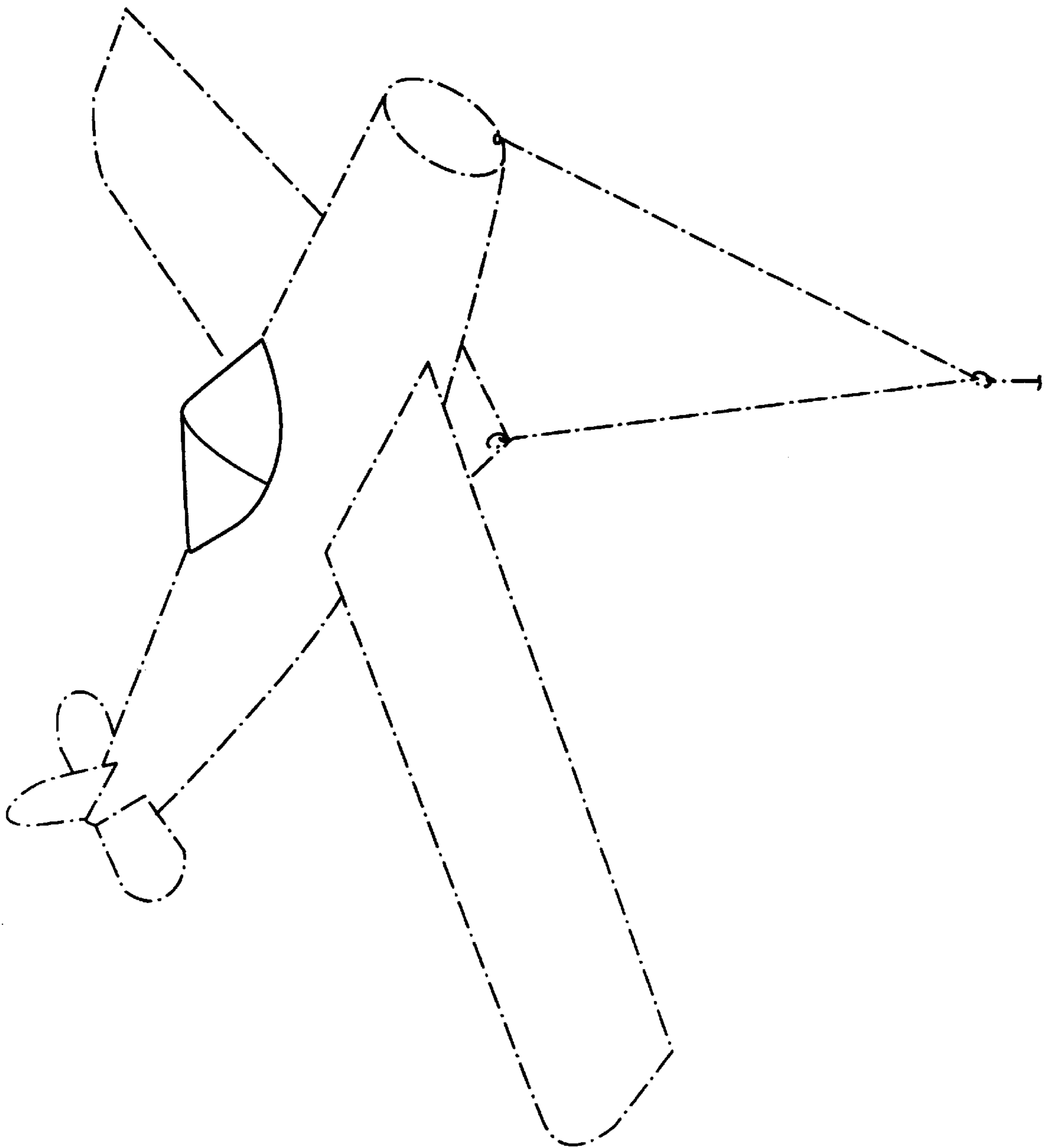


FIG. 1



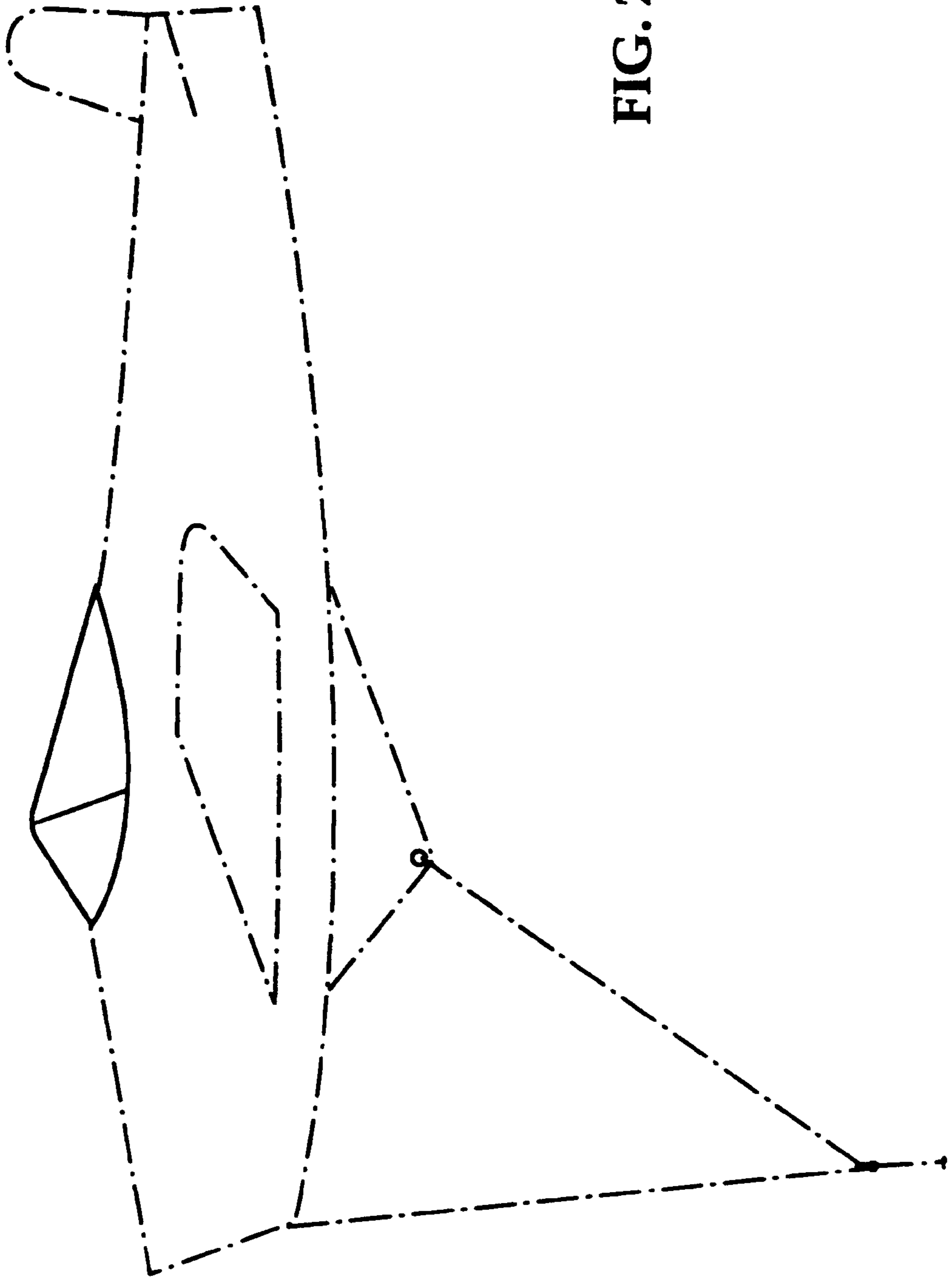


FIG. 2

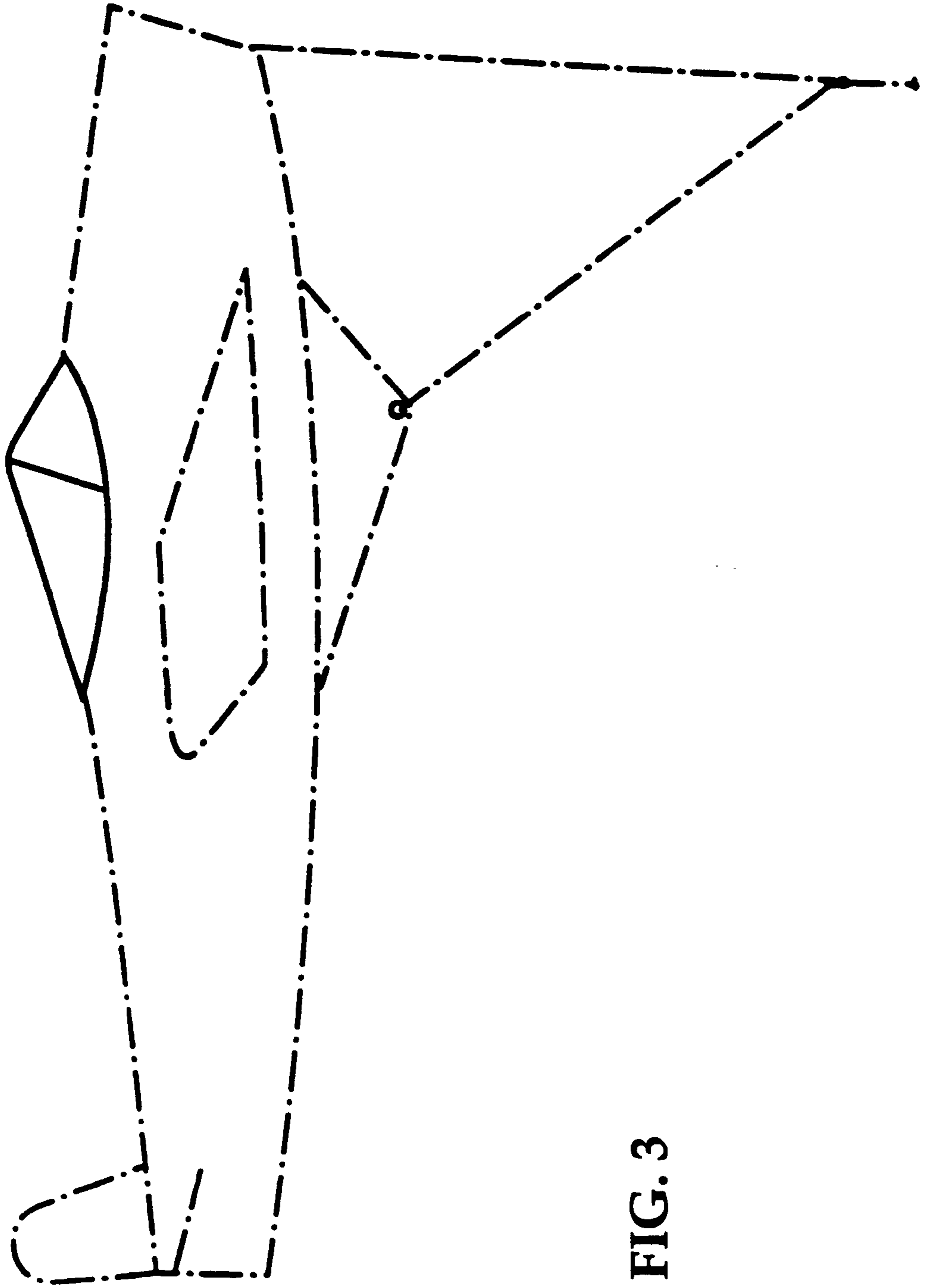


FIG. 3

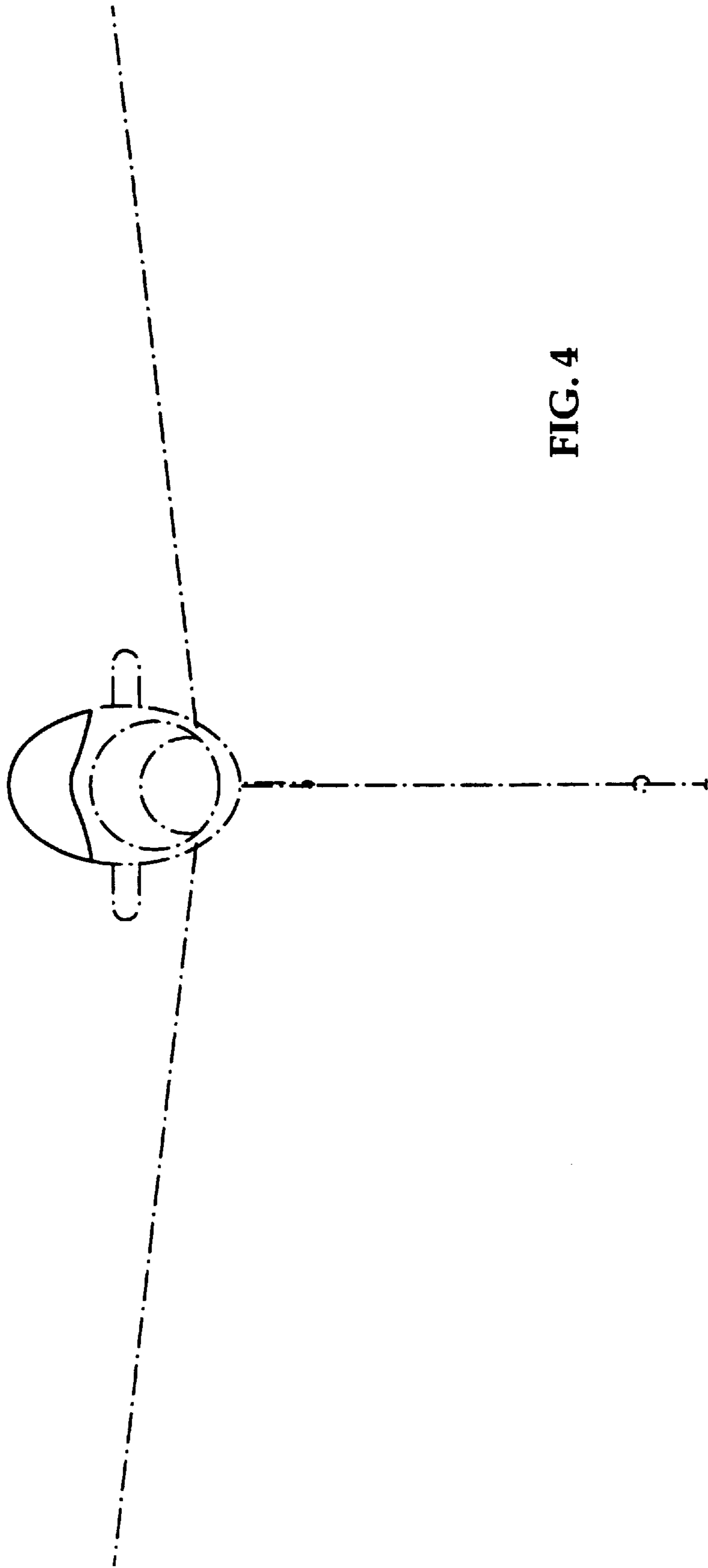


FIG. 4

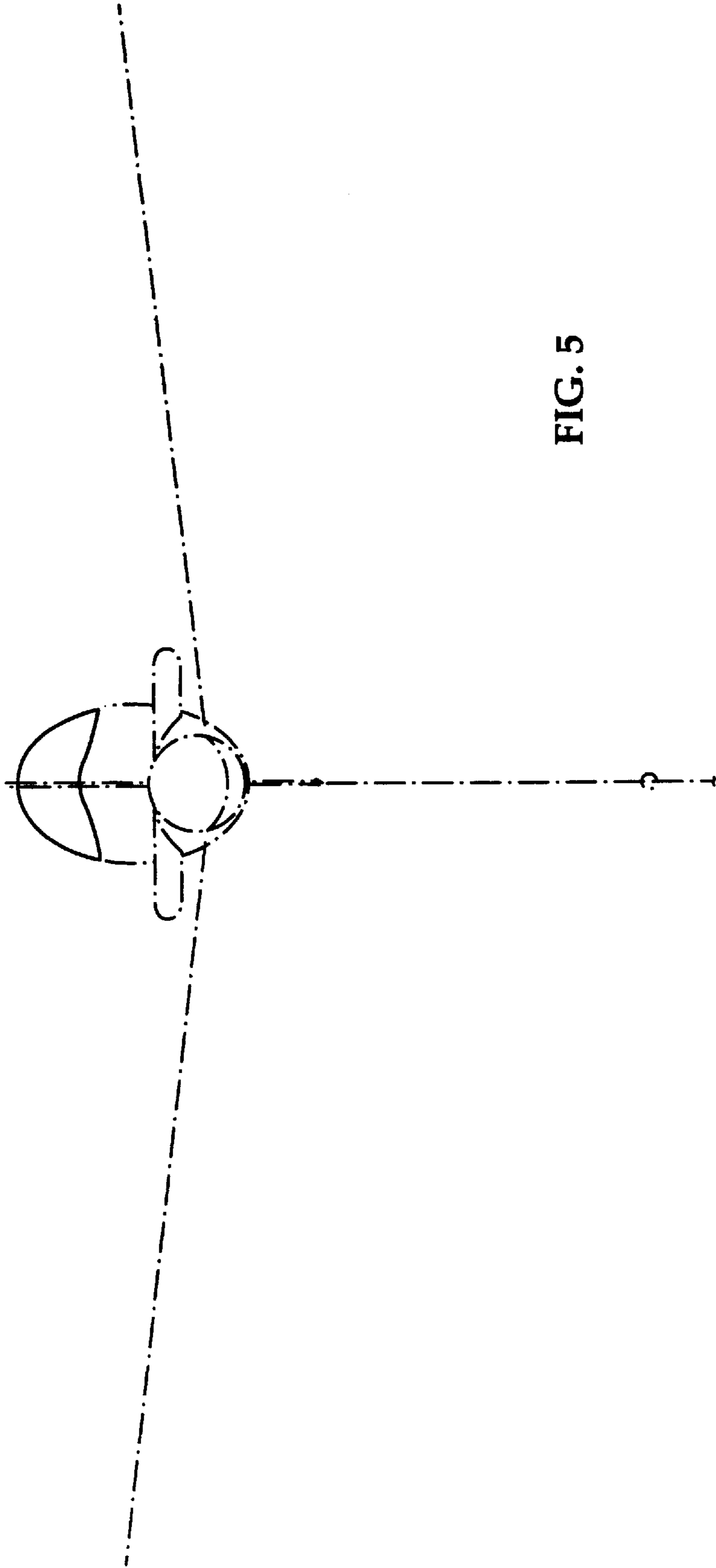


FIG. 5

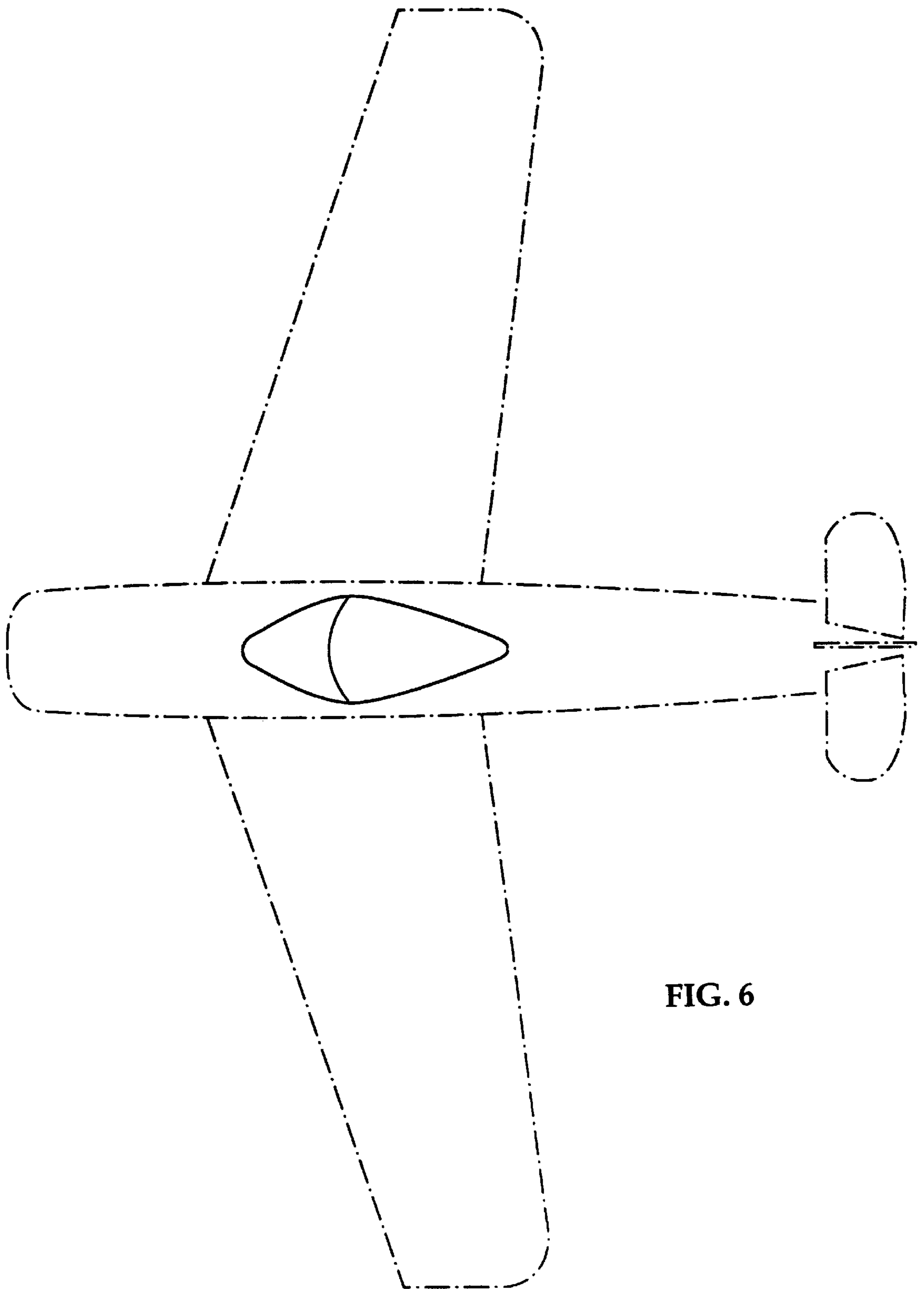


FIG. 6

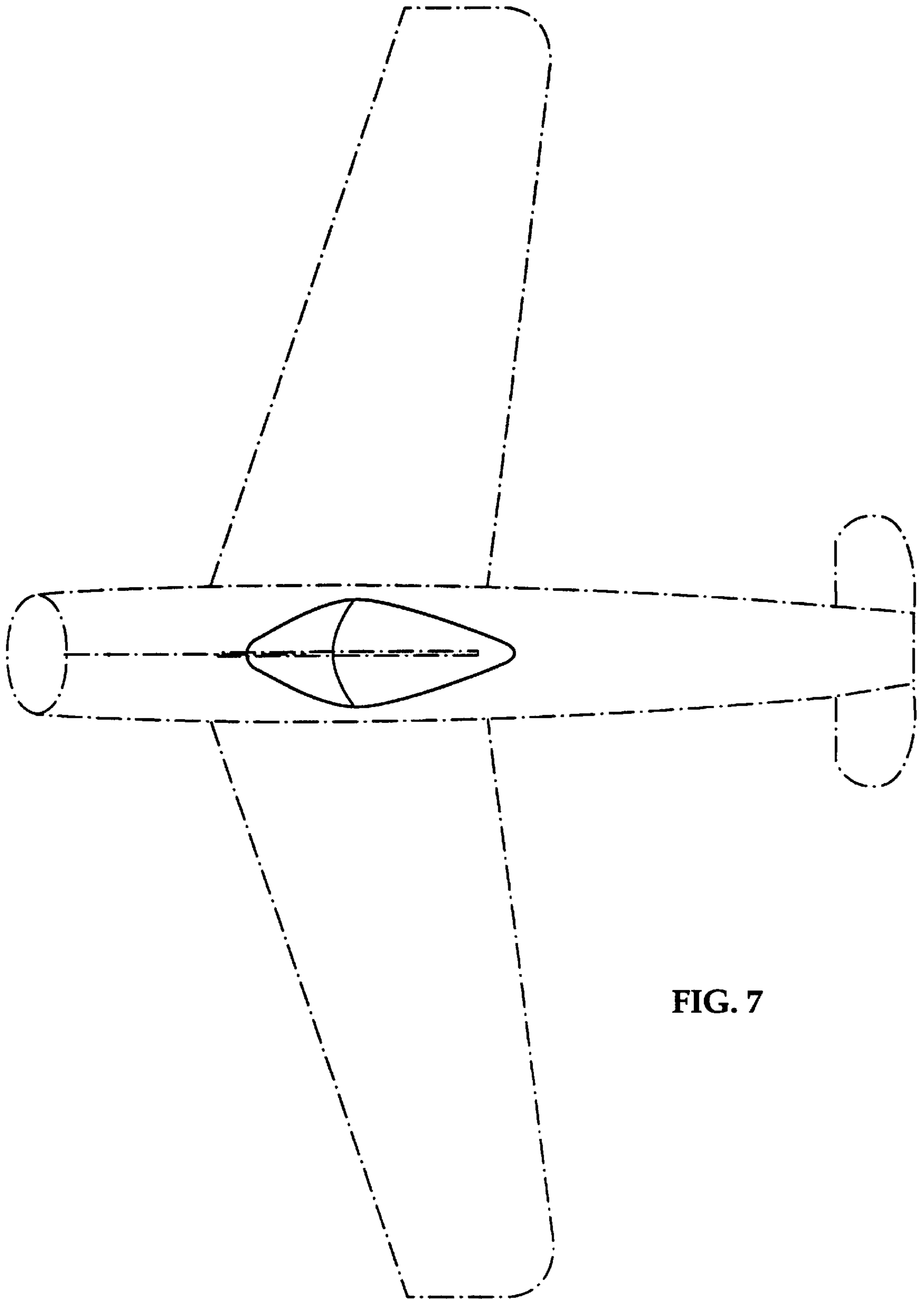


FIG. 7