



US00D428069S

United States Patent [19]
Cheng

[11] **Patent Number: Des. 428,069**

[45] **Date of Patent: ** Jul. 11, 2000**

[54] **KITE**

[76] Inventor: **Chen Nan Cheng**, No.21, Alley 7,
Lane 195, Yun Fung Road, Tu Cheng
City, Taipei Hsien, Taiwan

[**] Term: **14 Years**

[21] Appl. No.: **29/110,641**

[22] Filed: **Sep. 10, 1999**

[51] **LOC (7) Cl.** **21-01**

[52] **U.S. Cl.** **D21/445**

[58] **Field of Search** **D21/445; 244/153 R**

[56] **References Cited**

U.S. PATENT DOCUMENTS

D. 309,758 8/1990 Stolk D21/445
4,641,797 2/1987 Stolk 244/153 R

Primary Examiner—Dominic Simone
Attorney, Agent, or Firm—Rosenberg, Klein & Lee

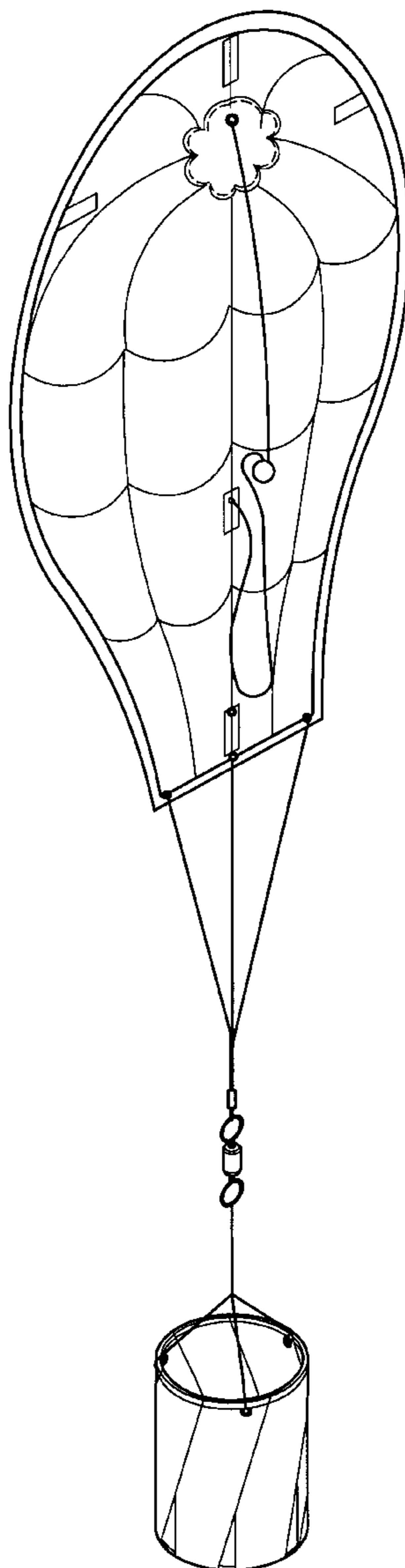
[57] **CLAIM**

The ornamental design for a “kite”, as shown and described.

DESCRIPTION

FIG. 1 is the perspective view of a “kite” showing my new design;
FIG. 2 is the front view thereof;
FIG. 3 is the rear view thereof;
FIG. 4 is the left side view thereof;
FIG. 5 is the right side view thereof;
FIG. 6 is the top view thereof;
FIG. 7 is the bottom view thereof; and,
FIG. 8 is the perspective view showing the practical usage thereof.

1 Claim, 8 Drawing Sheets



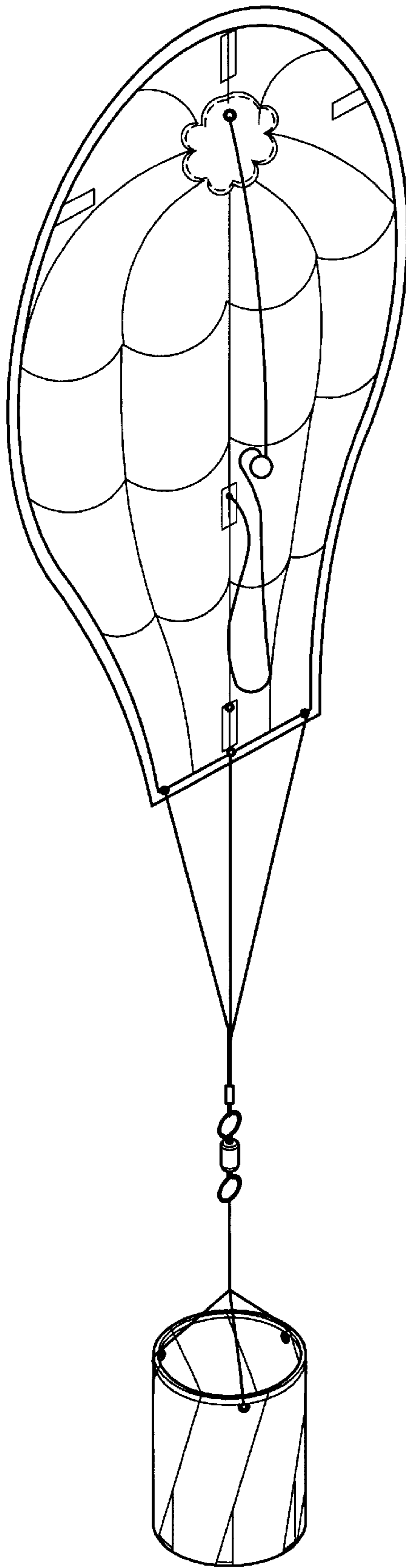


FIG. 1

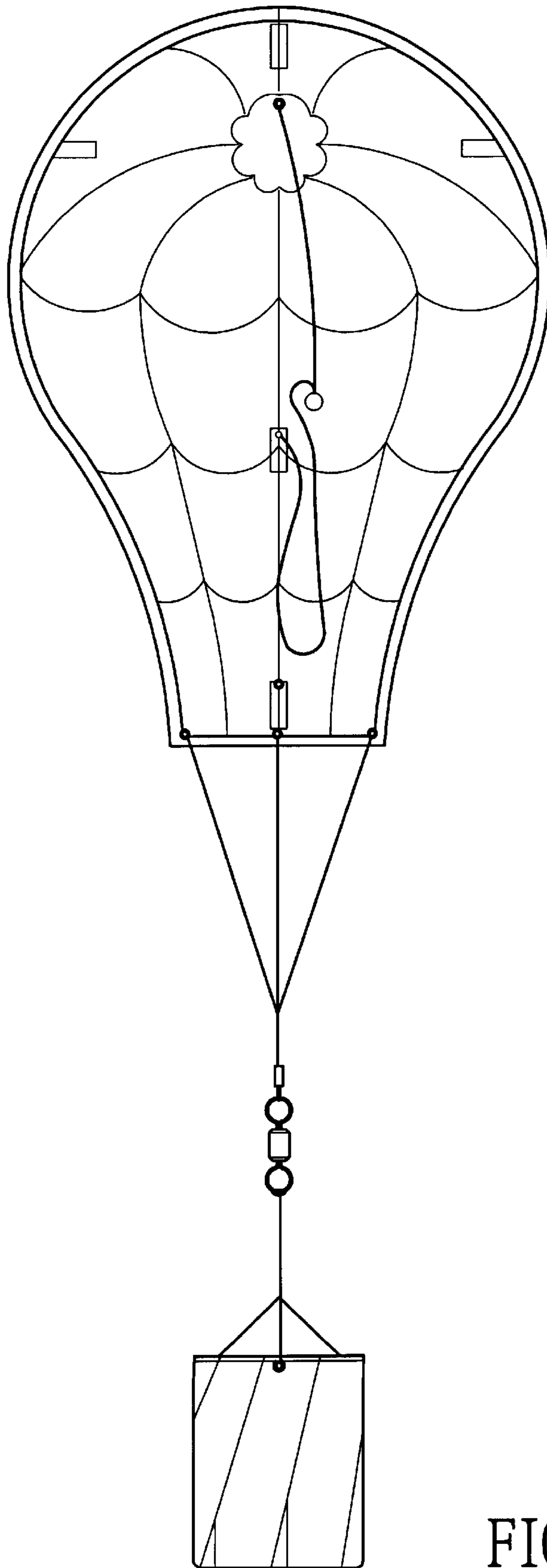


FIG. 2

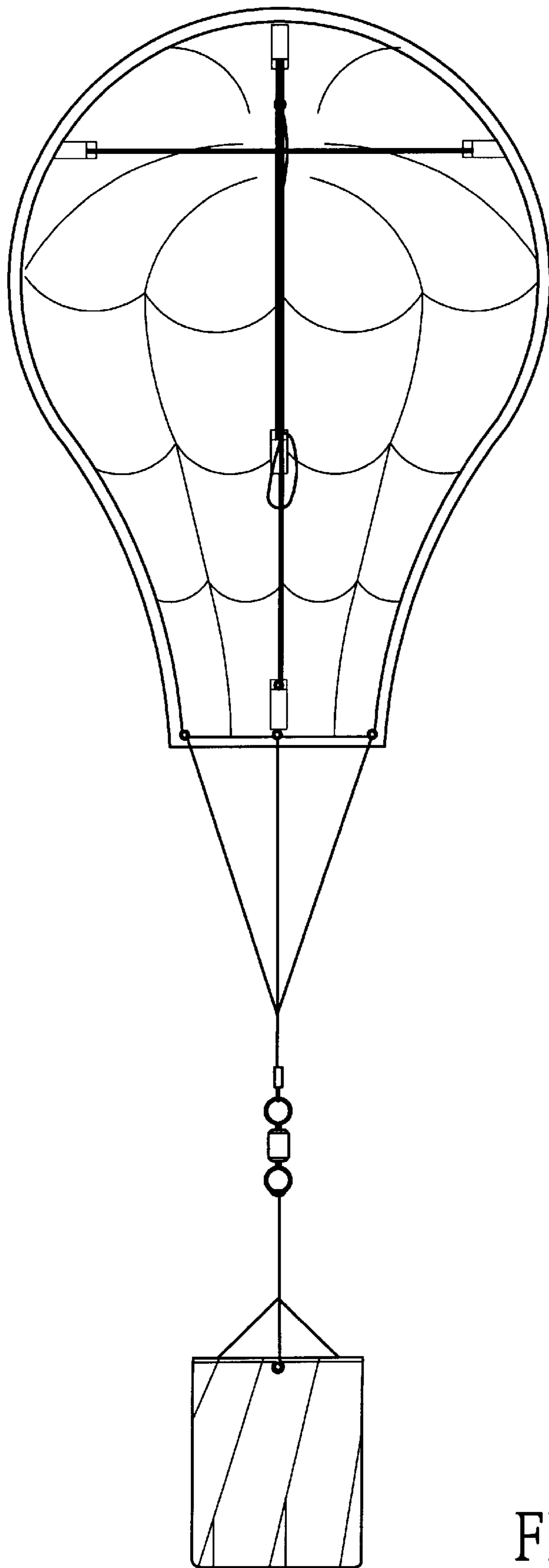


FIG. 3

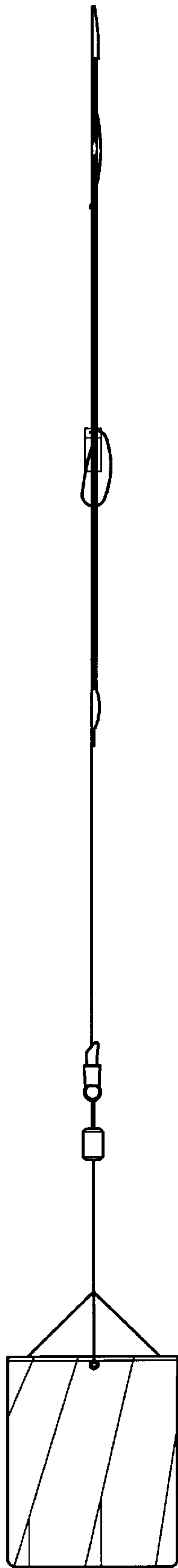


FIG. 4

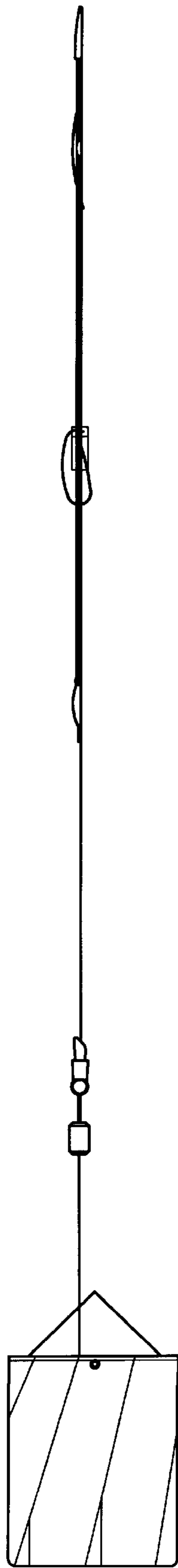


FIG. 5

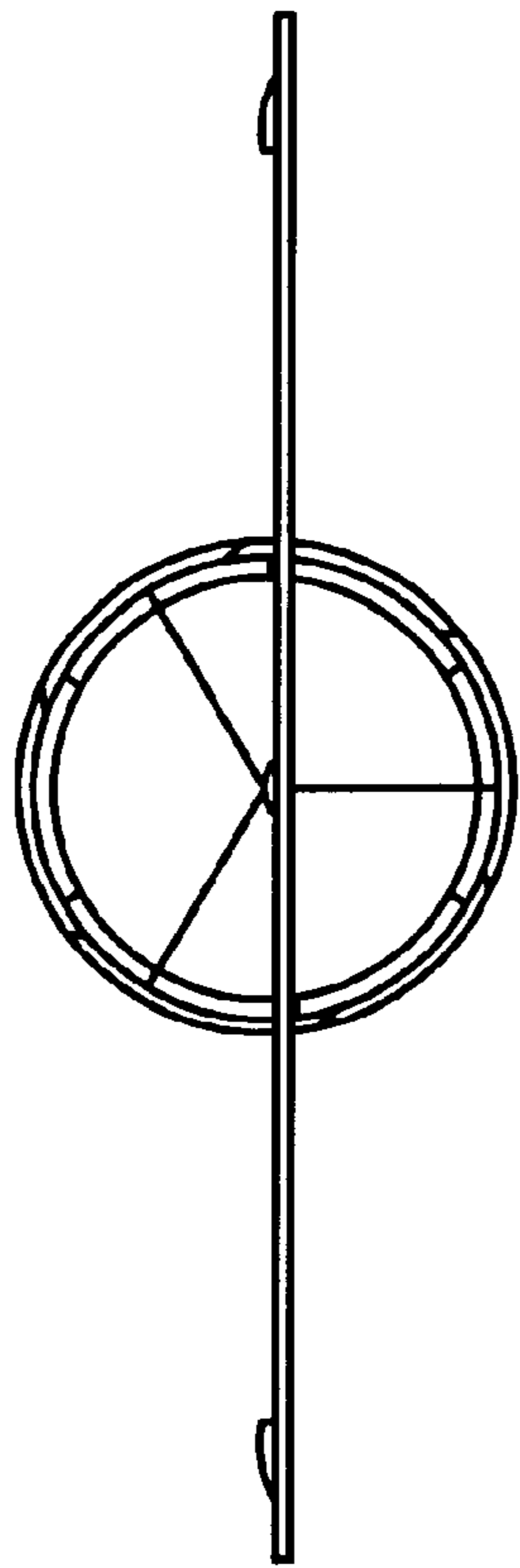


FIG. 6

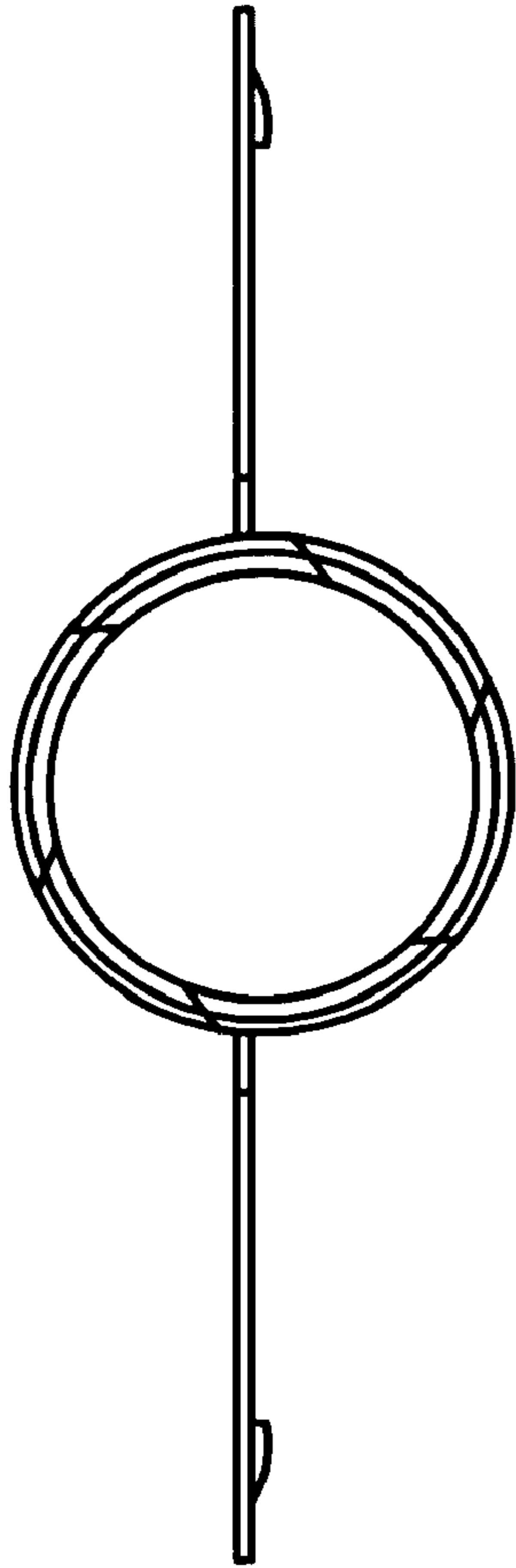


FIG. 7

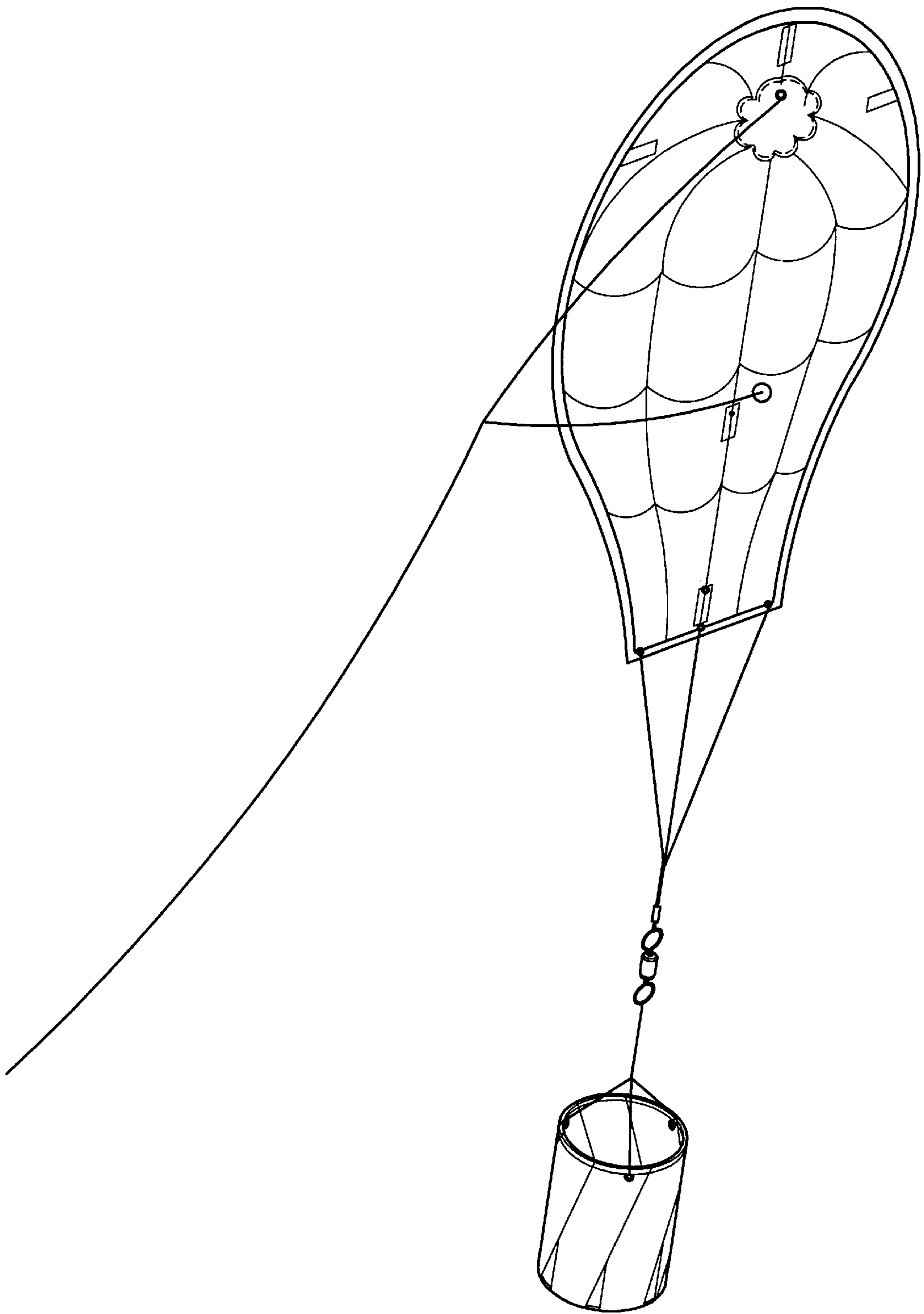


FIG. 8