



US00D428065S

United States Patent [19]

Sexton

[11] Patent Number: Des. 428,065

[45] Date of Patent: ** Jul. 11, 2000

[54] WALL AIR VENT

[76] Inventor: John M. Sexton, 424 N. Meridian, Belle Plaine, Minn. 56011

[**] Term: 14 Years

[21] Appl. No.: 29/111,793

[22] Filed: Oct. 5, 1999

[51] LOC (7) Cl. 23-99

[52] U.S. Cl. D21/393

[58] Field of Search D21/387, 388, D21/390; 454/359, 309, 328; 98/101, 114, 121 R

[56] References Cited

U.S. PATENT DOCUMENTS

D. 165,772	1/1952	Lundstrum	D23/393
D. 279,601	7/1985	Sexton	.	
D. 321,557	11/1991	Bezick et al.	D23/393
D. 374,927	10/1996	Chabot	D23/387
1,652,330	12/1927	Schwartzberg	454/339
5,525,145	6/1996	Hodge	454/309

Primary Examiner—Mitchell Siegel

[57] CLAIM

The ornamental design for wall air vent, as shown and described.

DESCRIPTION

FIG. 1 is a perspective view of the wall air showing my new design;
 FIG. 2 is a front elevational view thereof, the rear elevation view is a mirror image thereof;
 FIG. 3 is a top plan view thereof;
 FIG. 4 is a bottom plan view thereof;
 FIG. 5 is an end elevational view thereof; the opposite end is a mirror image thereof;
 FIG. 6 is a sectional view taken along line 6—6 of FIG. 3;
 FIG. 7 is a perspective view of a second embodiment of the wall air vent as disclosed in FIG. 1;
 FIG. 8 is a front elevational view of FIG. 7, the rear elevational view is a mirror image thereof;
 FIG. 9 is a top plan view of FIG. 7;
 FIG. 10 is a bottom plan view of FIG. 7;
 FIG. 11 is an end elevational view of FIG. 7, the opposite end is a mirror image thereof; and,
 FIG. 12 is a sectional view taken along the line 12—12 of FIG. 9.

1 Claim, 4 Drawing Sheets

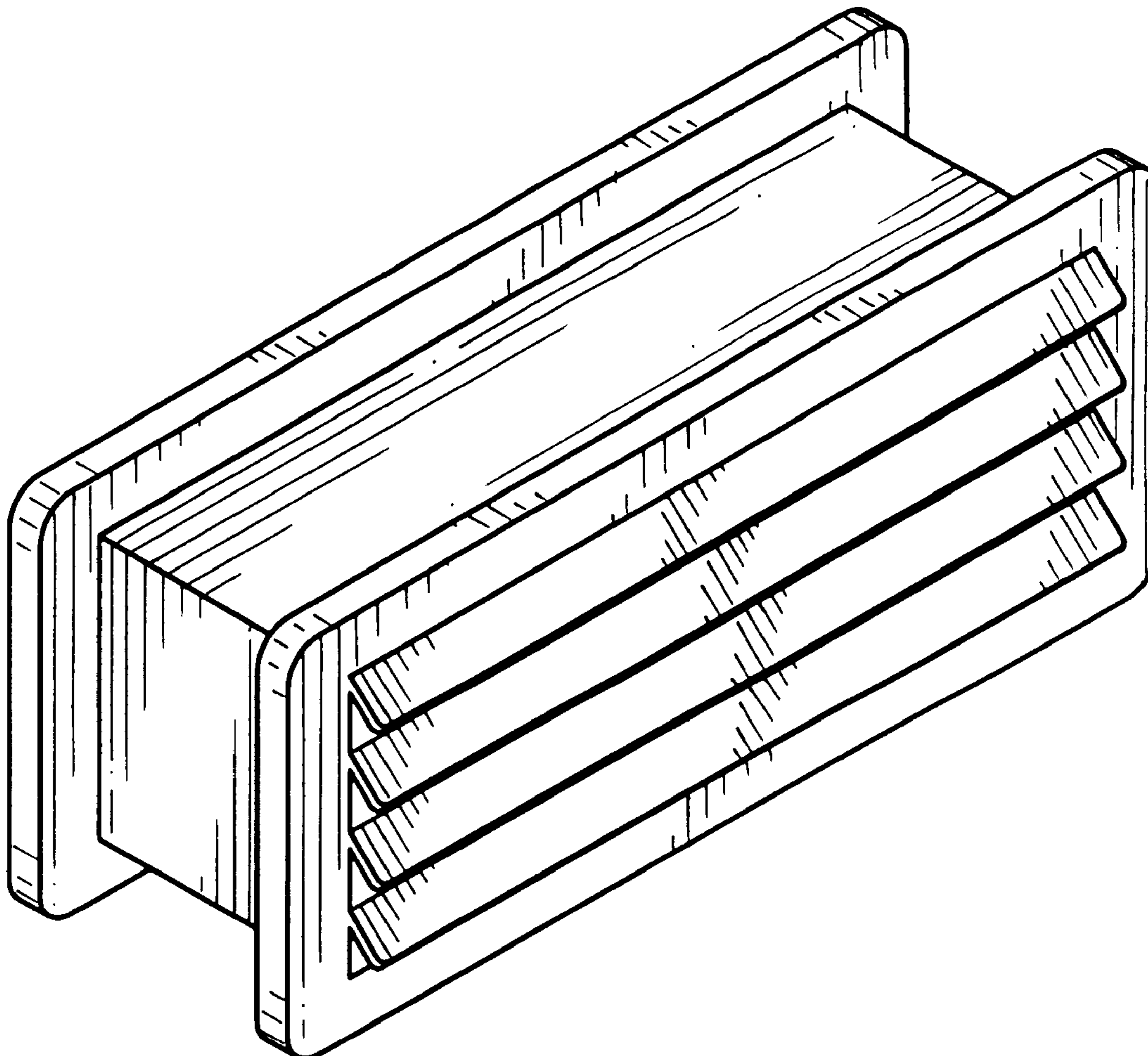


FIG. 1

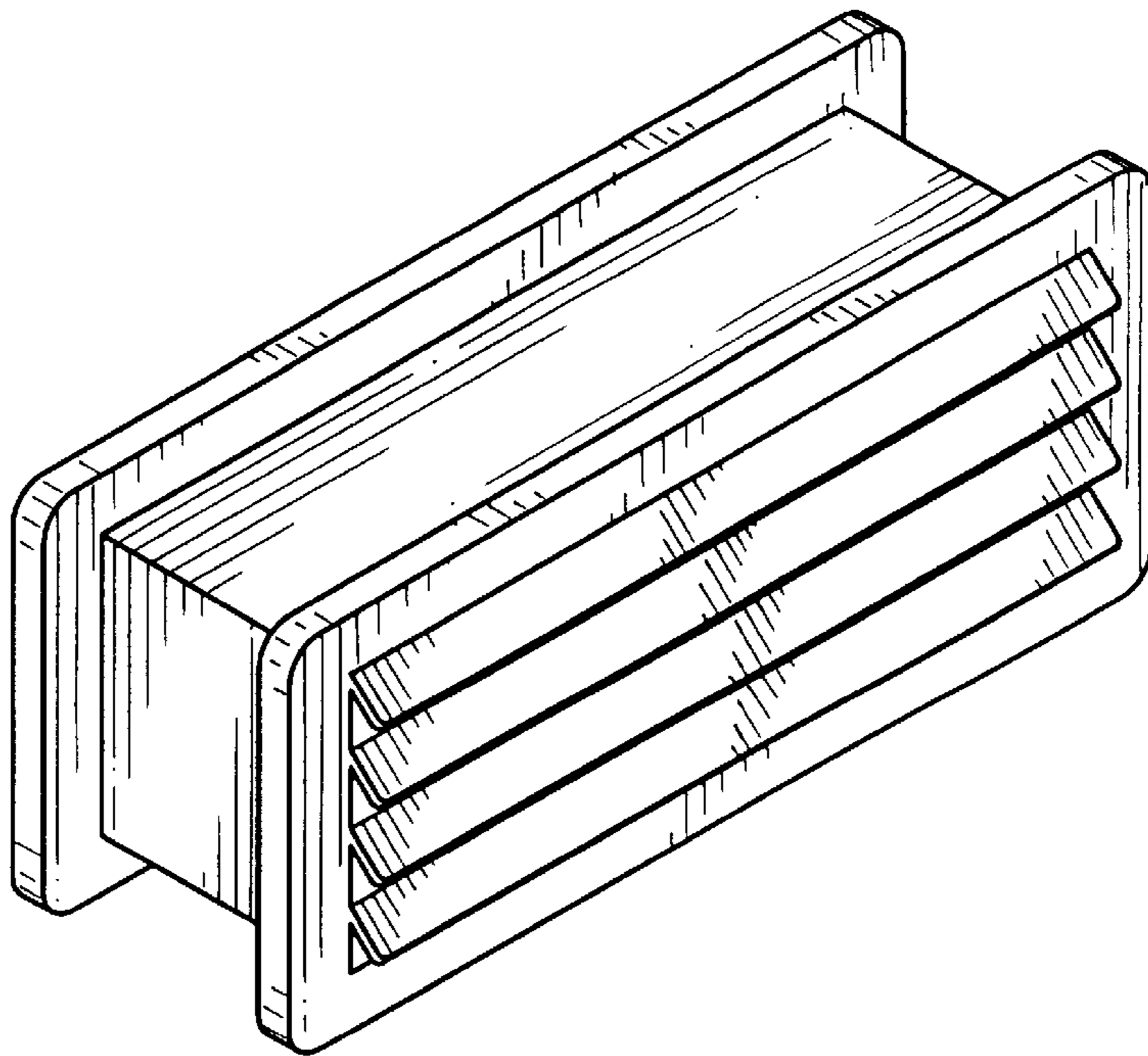


FIG. 2

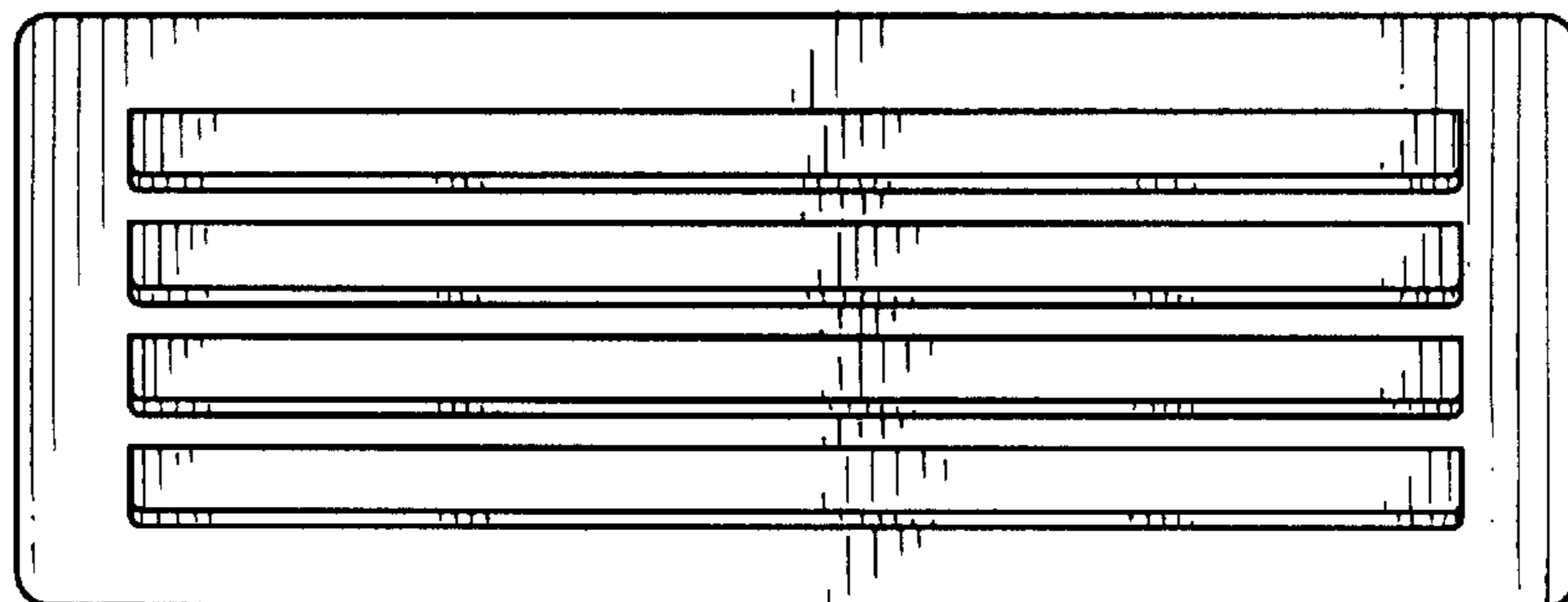


FIG. 3

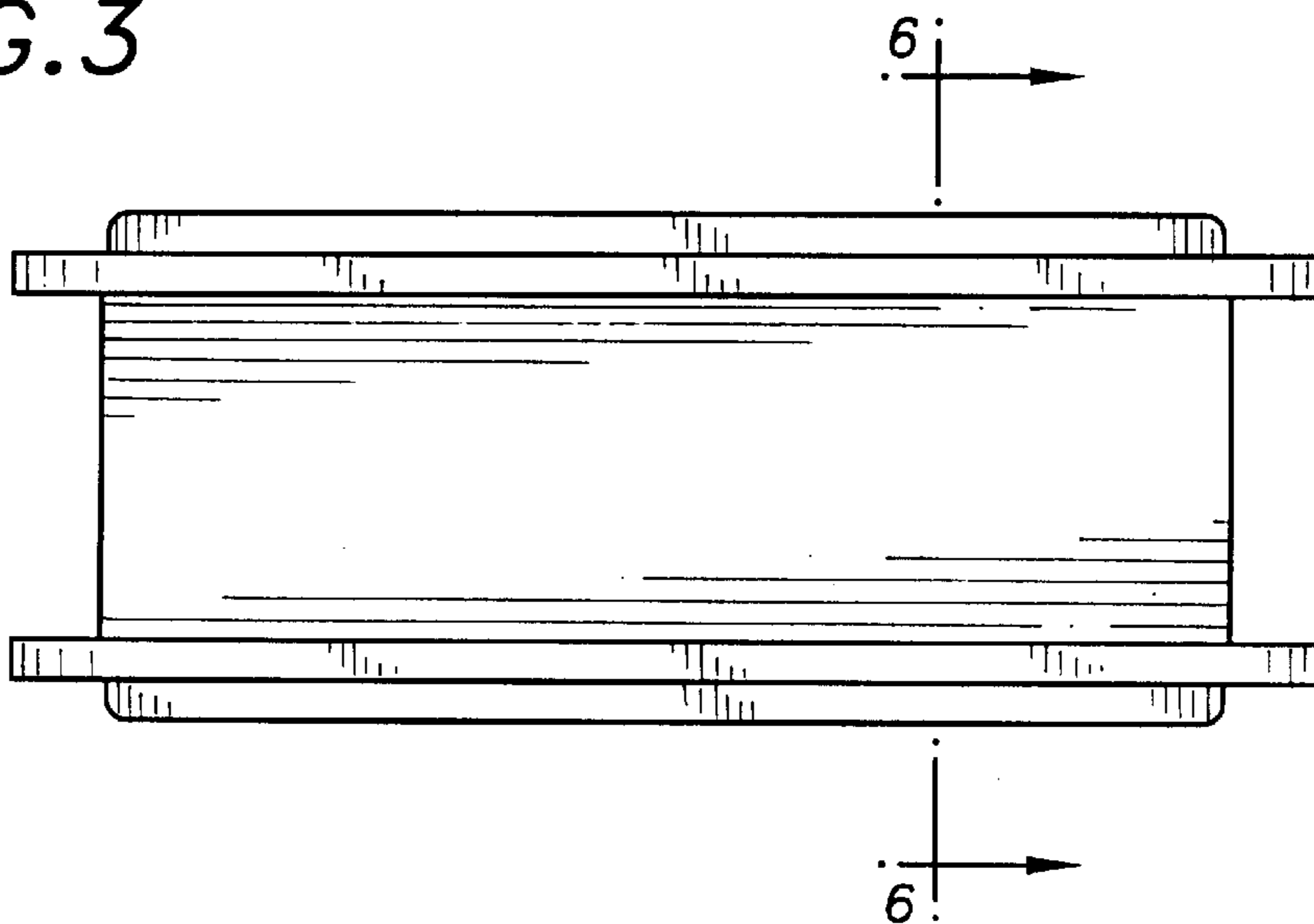


FIG. 4

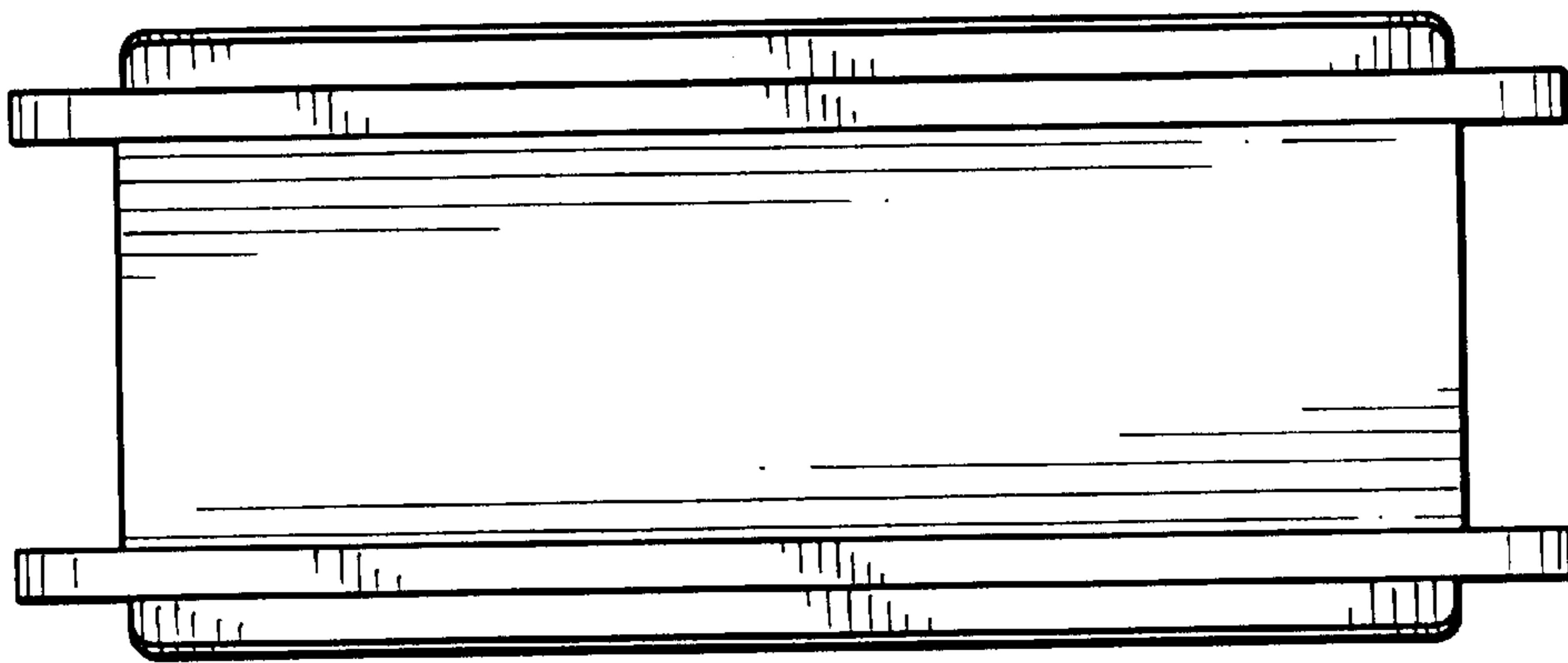


FIG. 5

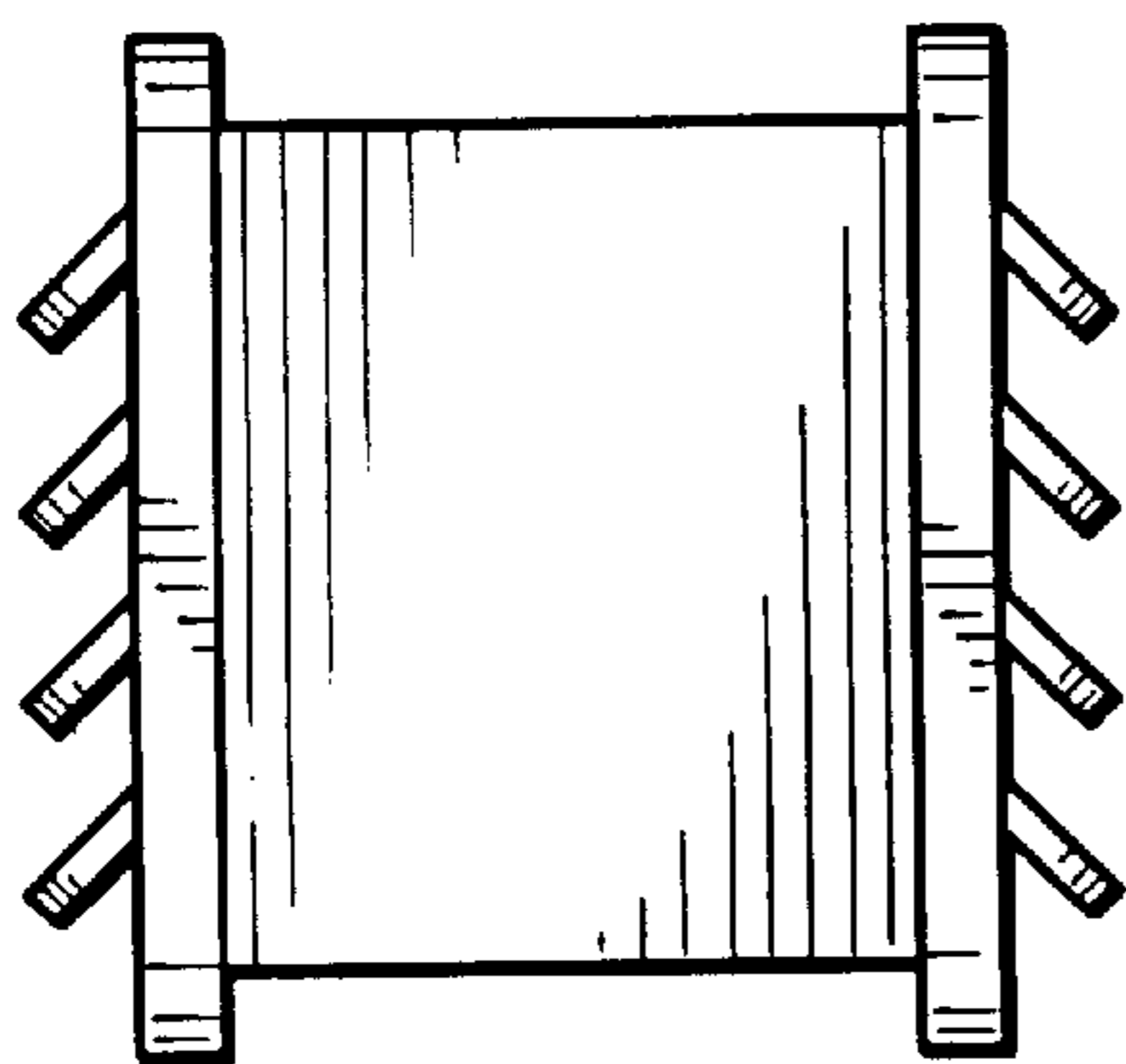


FIG. 6

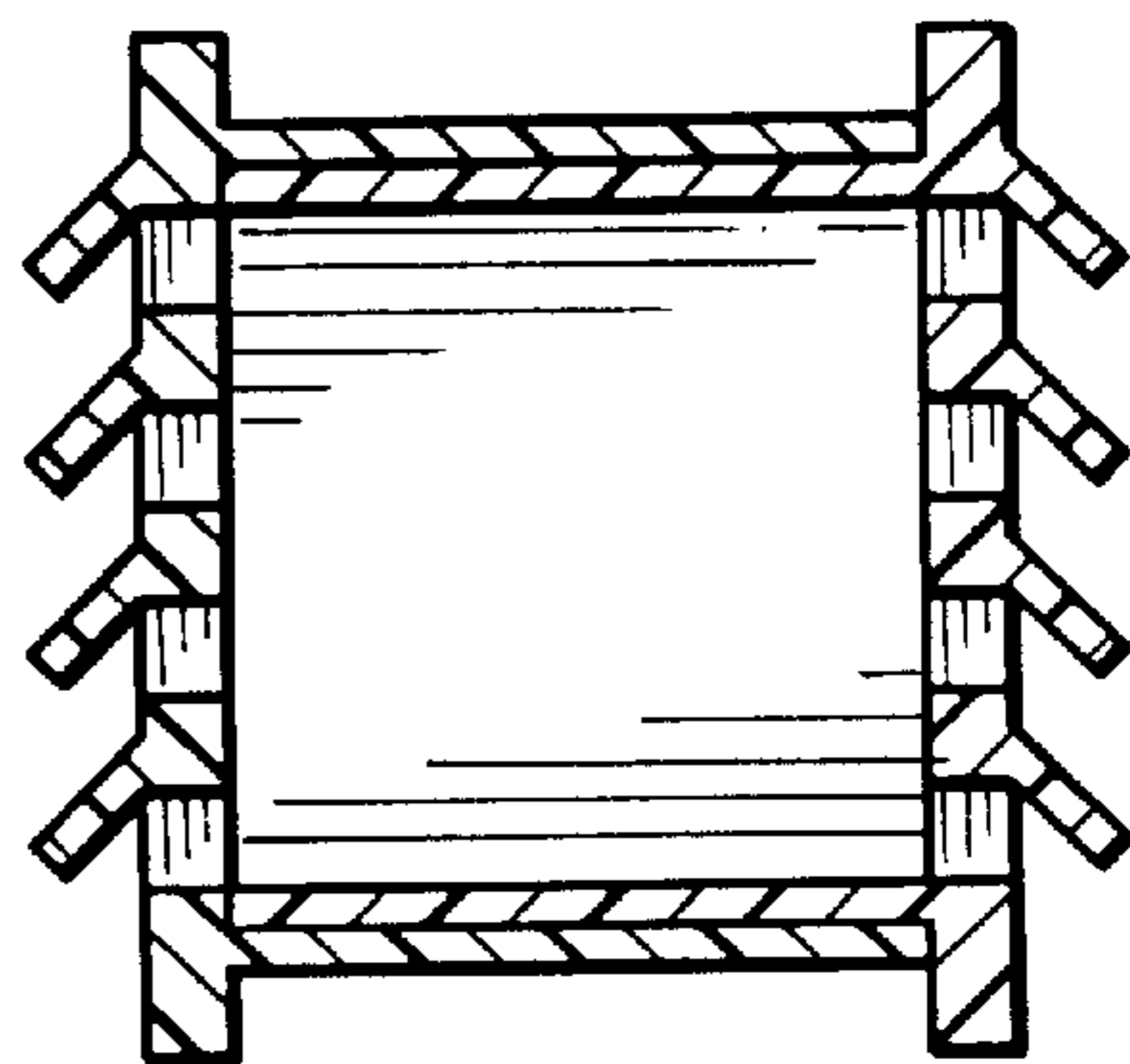


FIG. 7

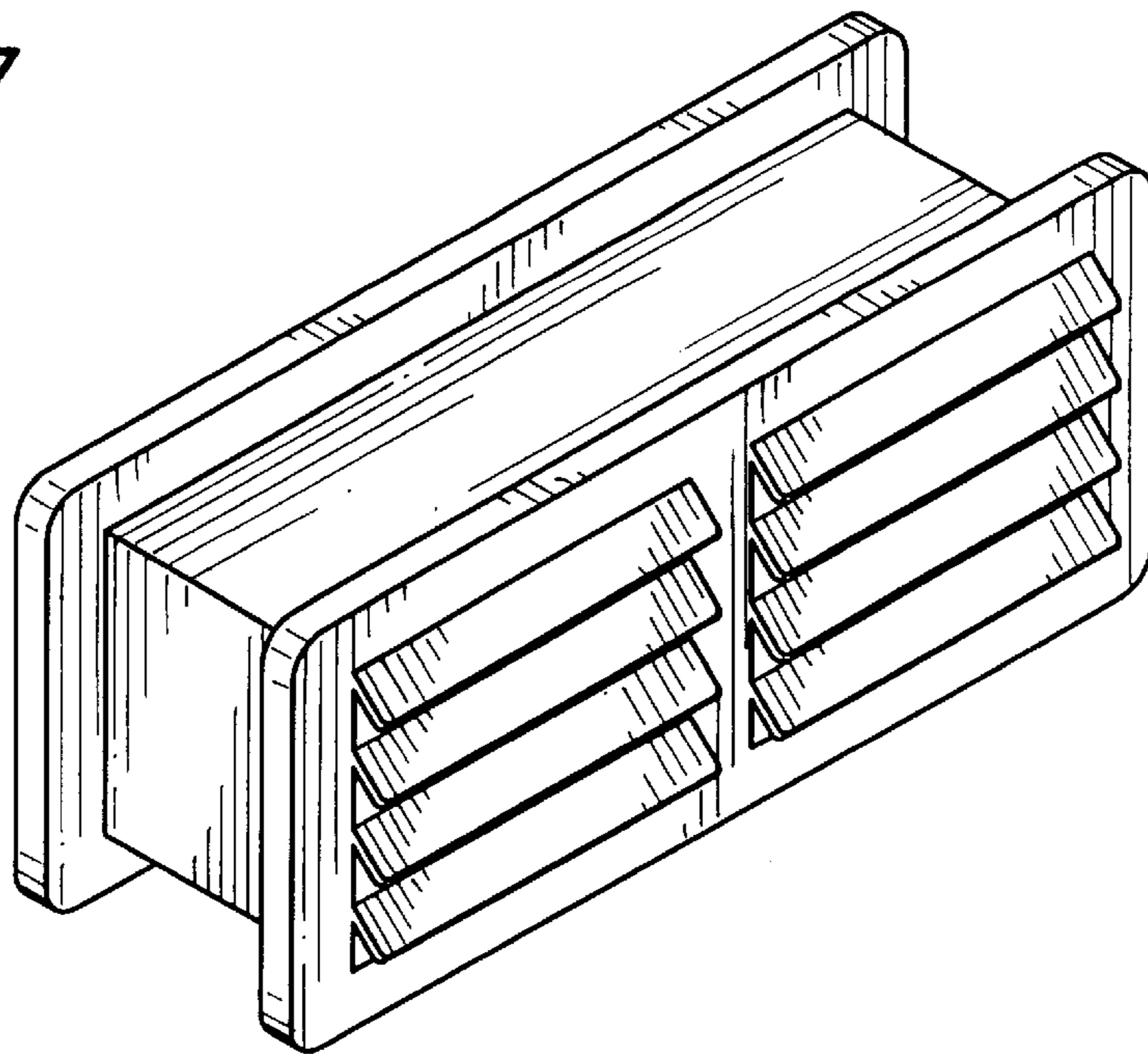


FIG. 8

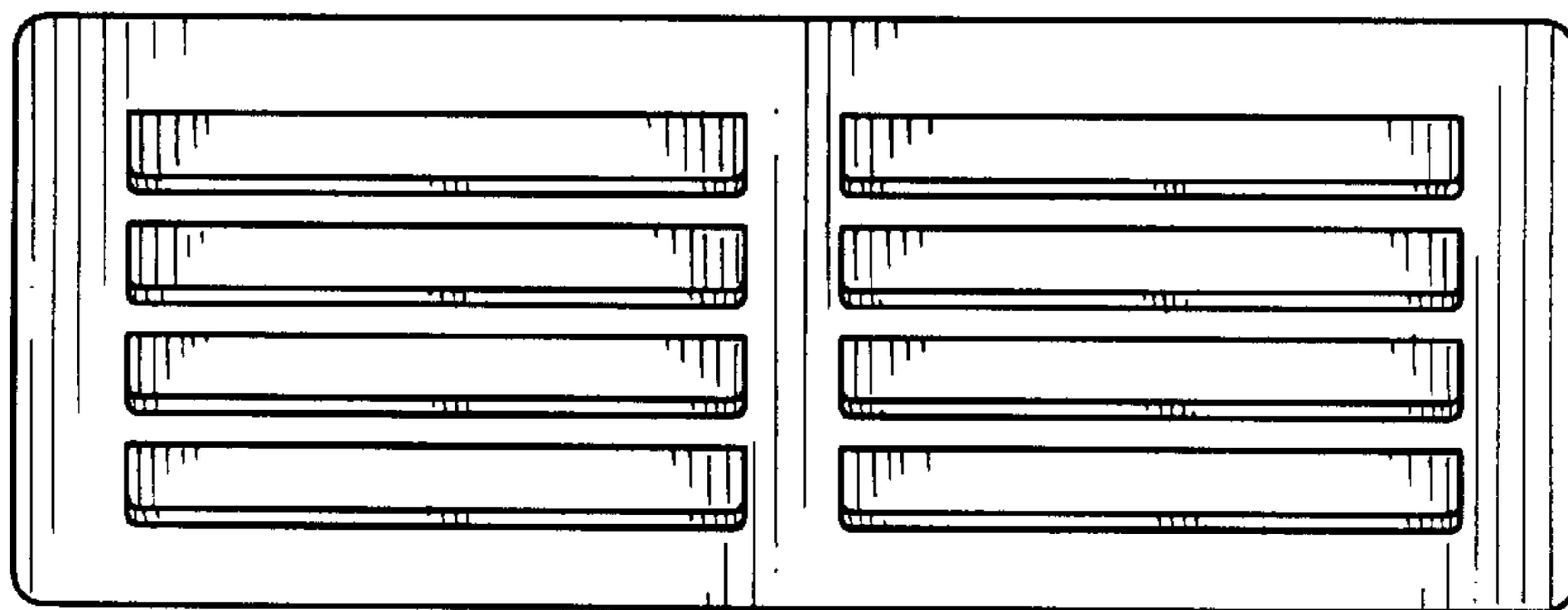


FIG. 9

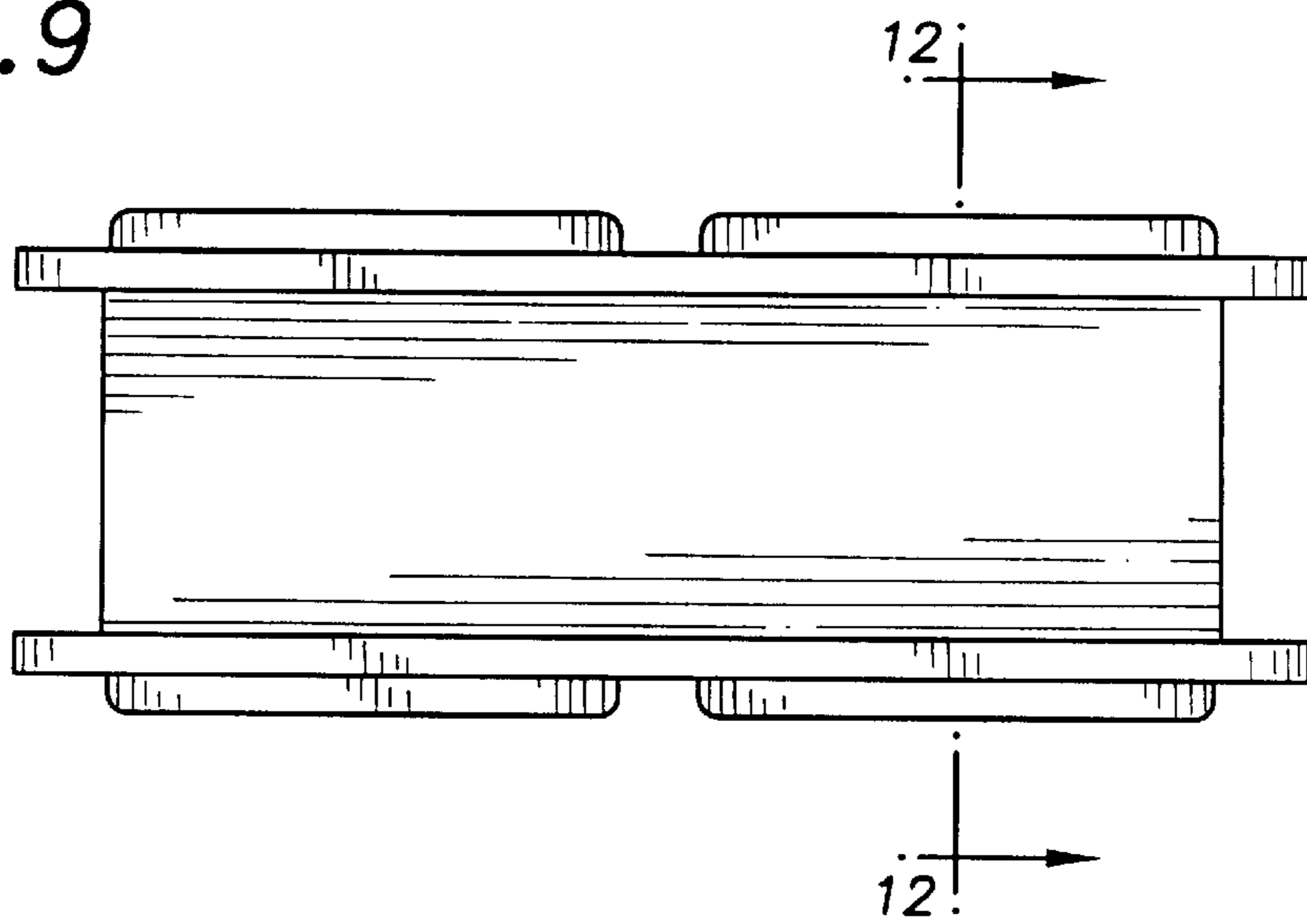


FIG. 10

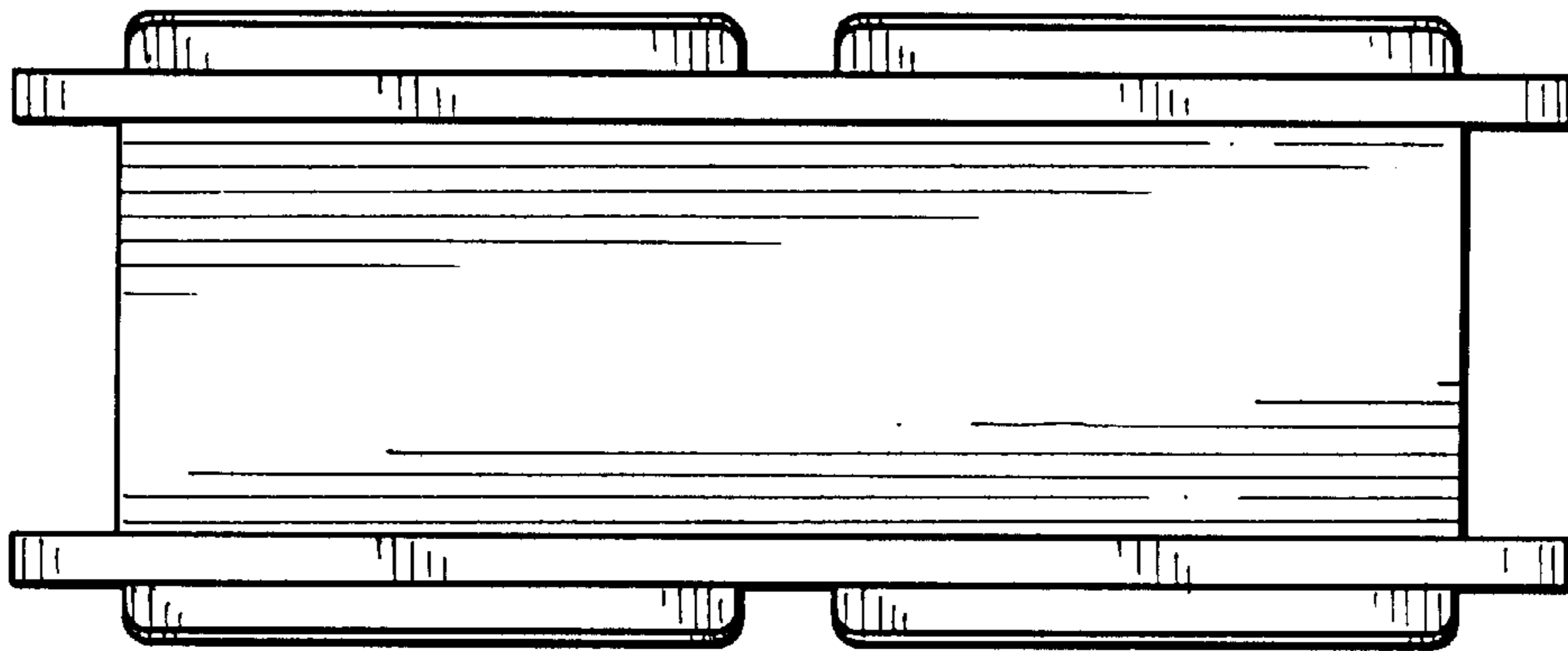


FIG. 11

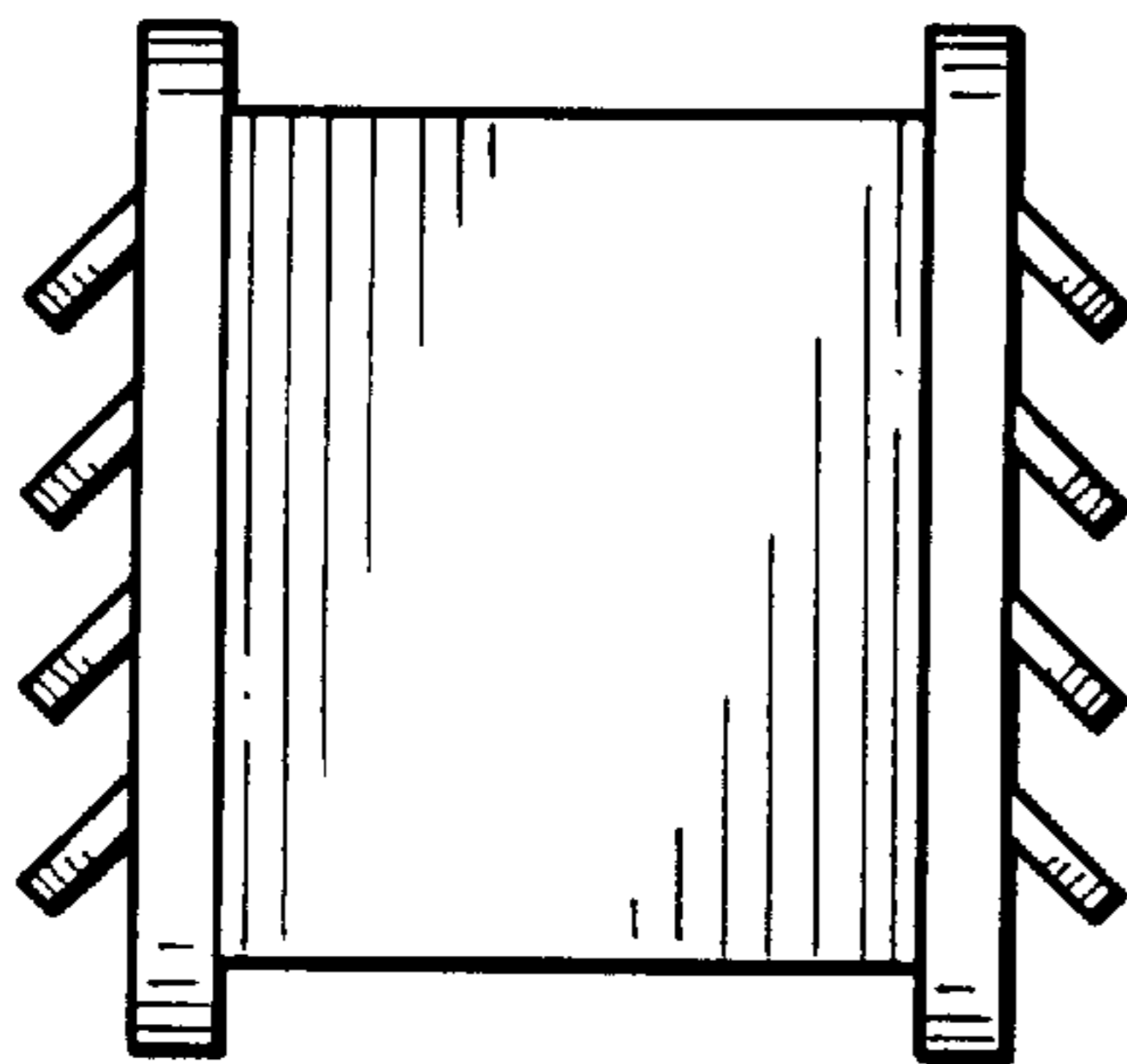


FIG. 12

