



US00D428064S

United States Patent [19]

Roberts et al.

[11] Patent Number: **Des. 428,064**

[45] Date of Patent: **** Jul. 11, 2000**

[54] **FISHING POLE ACCESSORY FOR A COMPUTER GAME**

5,542,672 8/1996 Meredith 463/37
5,730,655 3/1998 Meredith 463/37

[75] Inventors: **Thomas John Roberts**, Alpine; **David Wayne Preller**, Santee, both of Calif.

[73] Assignee: **Mad Catz, Inc.**, Santee, Calif.

[**] Term: **14 Years**

[21] Appl. No.: **29/104,735**

[22] Filed: **May 11, 1999**

[51] **LOC (7) Cl.** **21-01**

[52] **U.S. Cl.** **D21/328**

[58] **Field of Search** D21/324-333;
463/1, 29-35, 37, 38, 46, 47; D22/134,
138, 139, 148; 273/148 B

[56] References Cited

U.S. PATENT DOCUMENTS

D. 397,371	8/1998	Bagley	D21/329
D. 397,372	8/1998	Riggs	D21/329
D. 397,729	9/1998	Schulz et al.	D21/329
D. 404,433	1/1999	Au Yeung	D21/329
D. 412,016	7/1999	Meredith	D21/329
5,232,223	8/1993	Dornbusch	273/148 B

OTHER PUBLICATIONS

Six views of Playmate Stand-Alone hand held fishing Game. (Date of game unknown).
ASCII/AGETEC Bass Landing Ad, 1999.
Preview of Dreamcast GetBass, Jun. 1999, p. 51.
Dreamcast GetBass Packaging, 1999.

Primary Examiner—Prabhakar Deshmukh
Attorney, Agent, or Firm—Luce, Forward, Hamilton & Scripps LLP

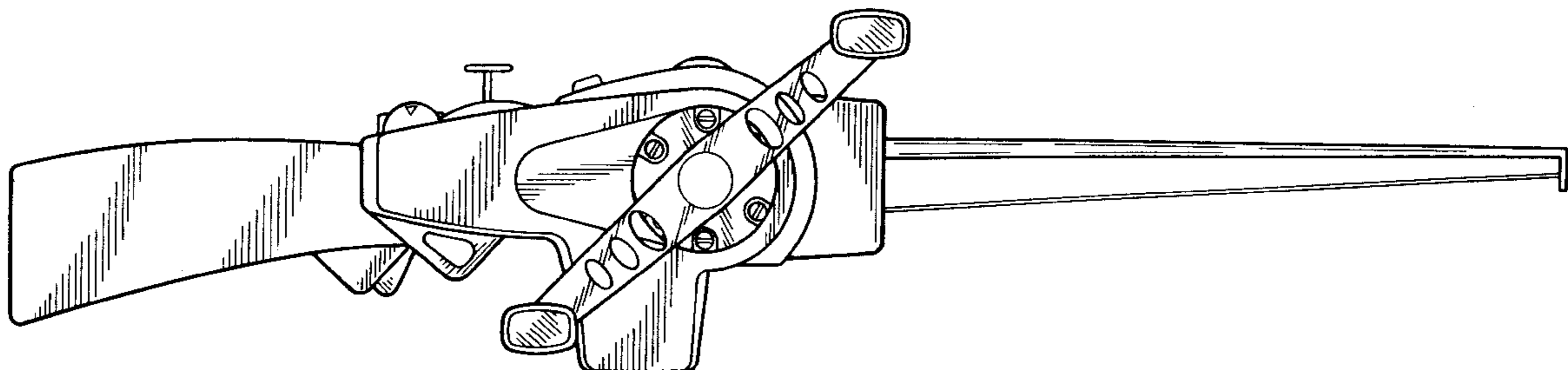
[57] CLAIM

The ornamental design for the fishing pole accessory for a computer game, as shown and described.

DESCRIPTION

FIG. 1 is a right side elevational view thereof;
FIG. 2 is a top elevational view thereof;
FIG. 3 is a bottom elevational view thereof;
FIG. 4 is a left side elevational view thereof;
FIG. 5 is a front elevational view thereof; and,
FIG. 6 is a back elevational view thereof.

1 Claim, 3 Drawing Sheets



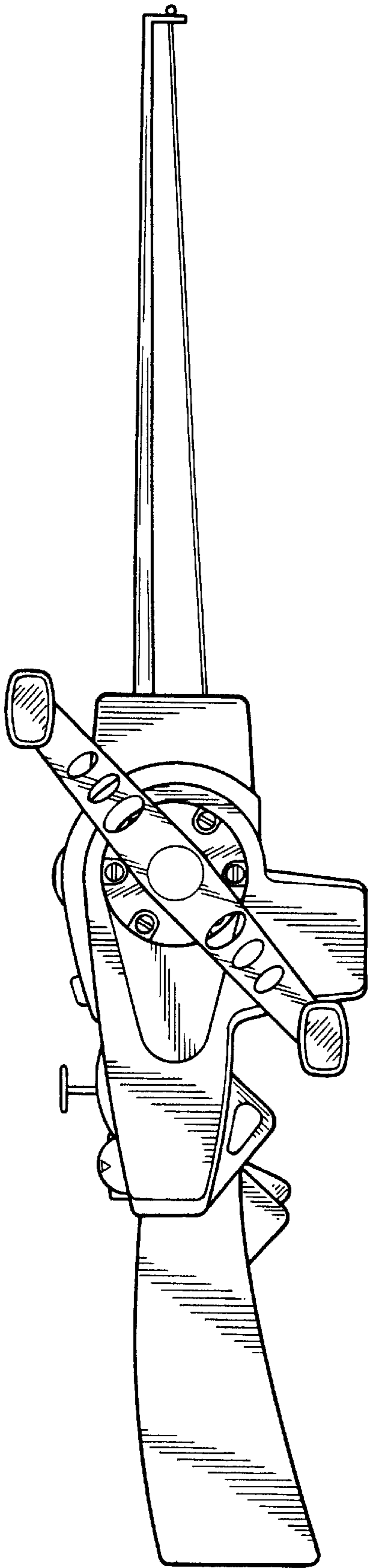


FIG. 1

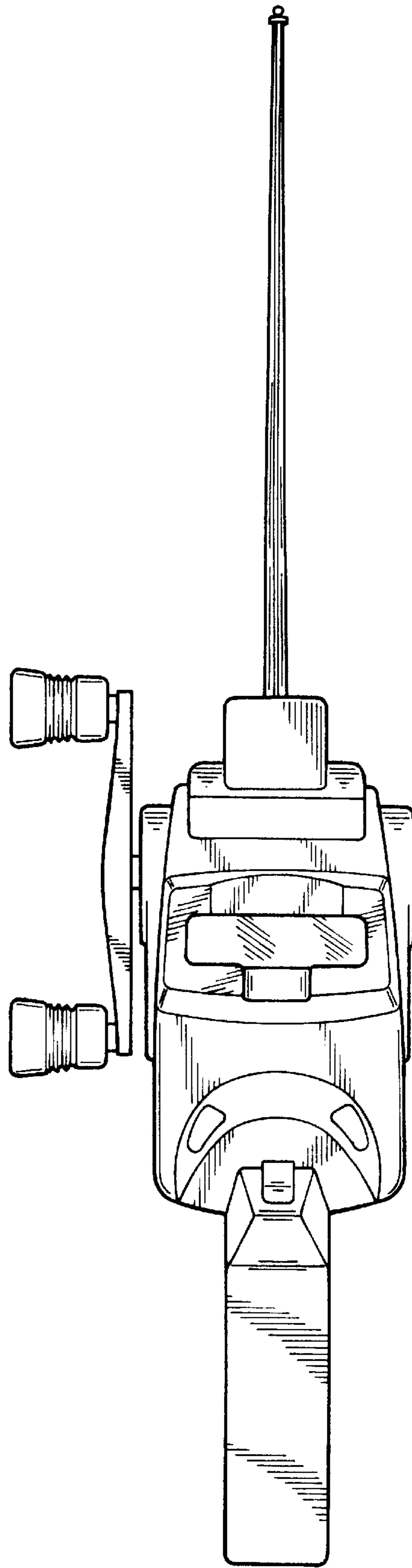


FIG. 2

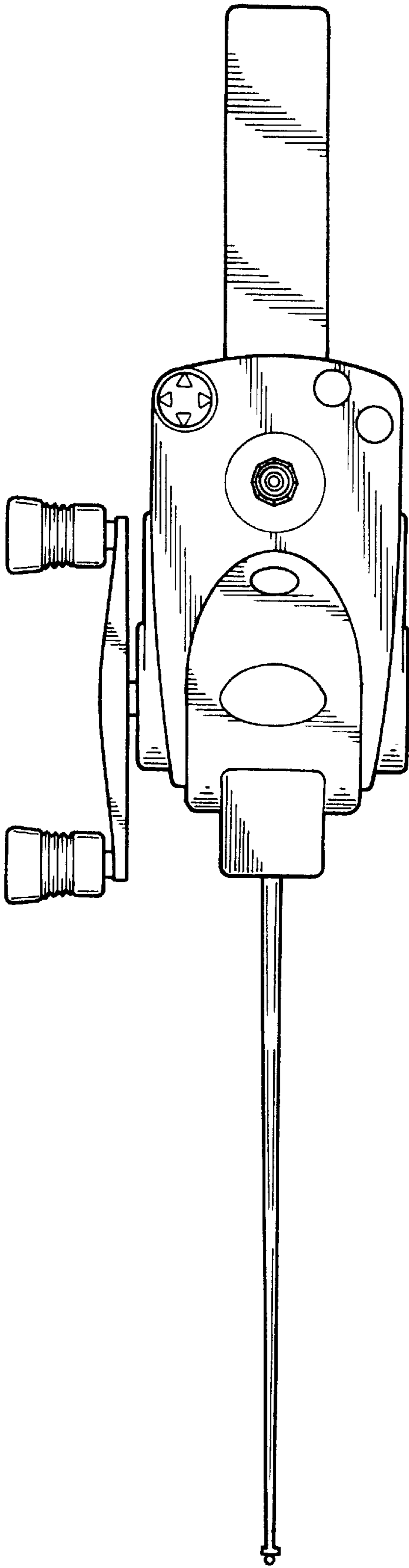


FIG. 3

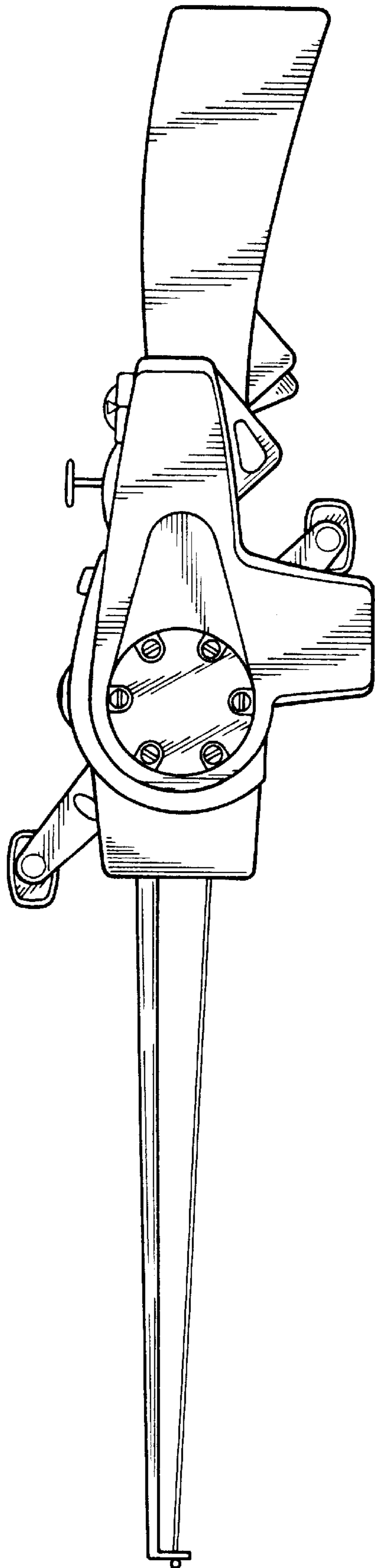


FIG. 4

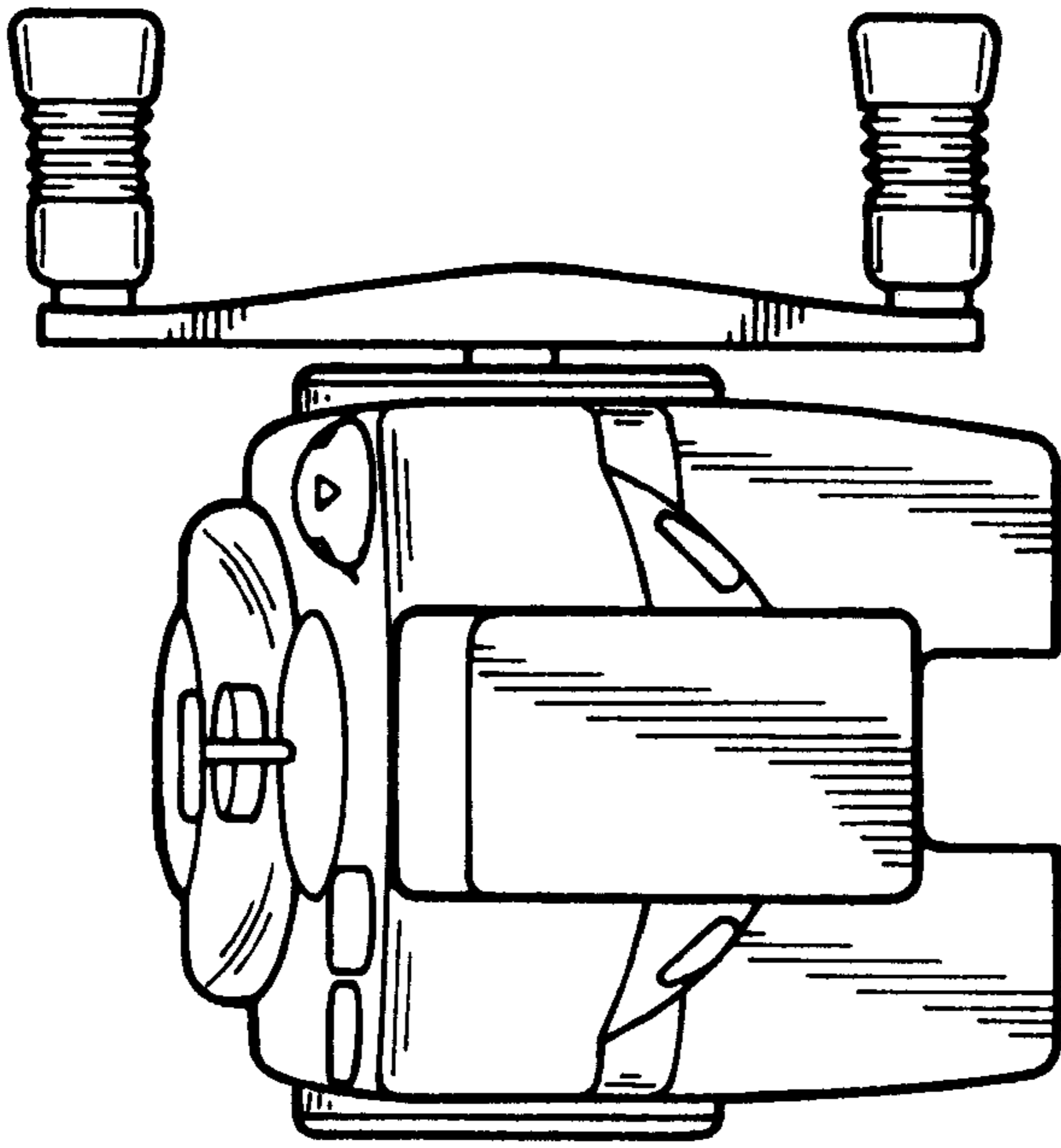


FIG. 6

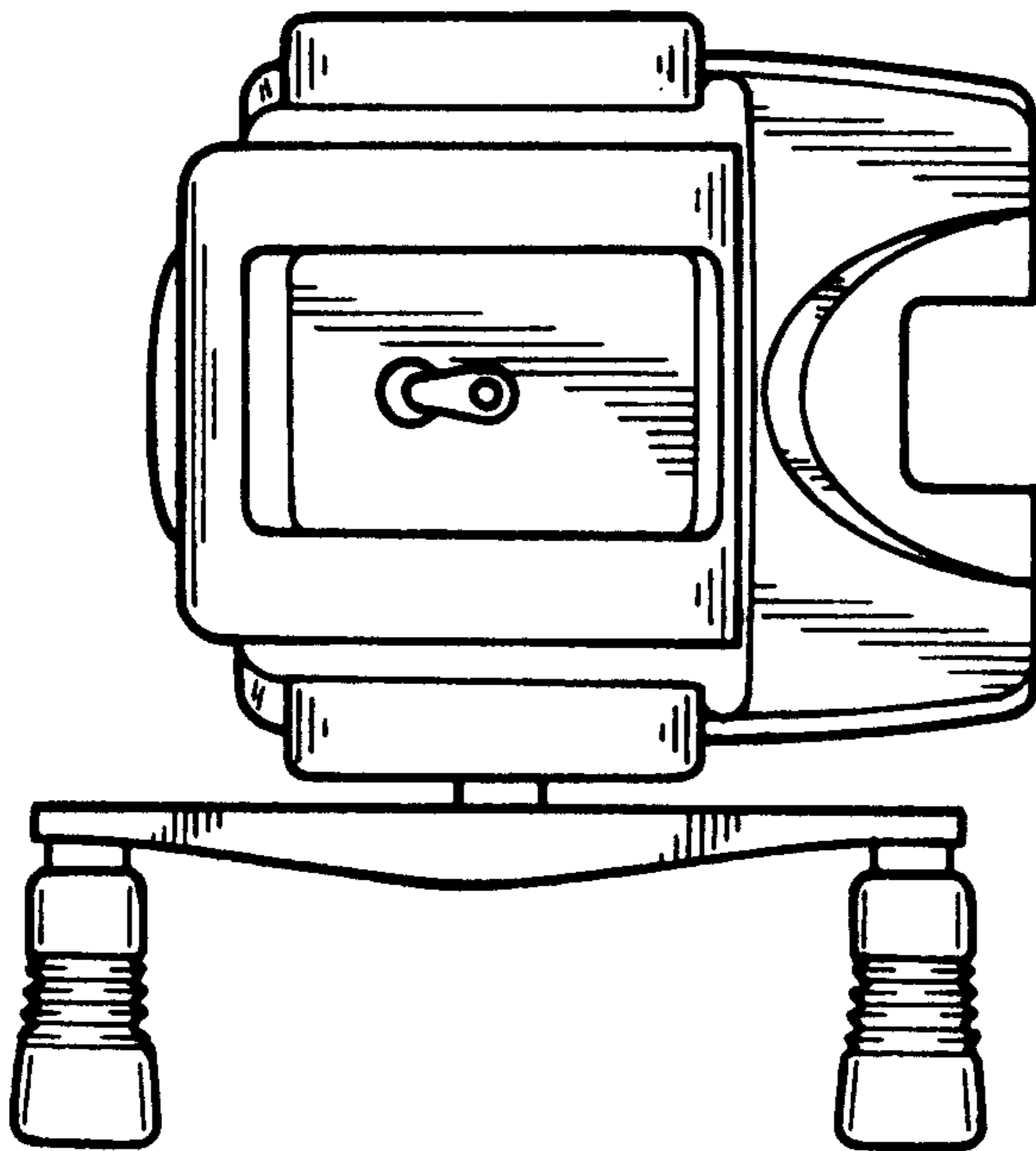


FIG. 5