



US00D428061S

United States Patent [19]

Billodeau et al.

[11] Patent Number: **Des. 428,061**

[45] Date of Patent: **** Jul. 11, 2000**

[54] **WASHER TOSS GAME**

5,882,010 6/1989 Geror 273/400

[76] Inventors: **James Billodeau; Mike Peroutka; Christ Scheffe**, all of 5317 Gauthier Rd., New Franken, Wis. 54229

Primary Examiner—Prabhakar Deshmukh

[**] Term: **14 Years**

[57] CLAIM

The ornamental design for a washer toss game, as shown and described.

[21] Appl. No.: **29/109,291**

DESCRIPTION

[22] Filed: **Aug. 12, 1999**

FIG. 1 is a top plan view of the washer toss game of the present invention;

[51] **LOC (7) Cl.** **21-01**

[52] **U.S. Cl.** **D21/303**

FIG. 2 is a bottom plan view of the washer toss game of FIG. 1;

[58] **Field of Search** D21/302, 303, D21/385, 390; 273/317, 398-402, 407, 348, 343, 348.3, 359

FIG. 3 is a right side elevational view of the washer toss game of FIG. 1;

FIG. 4 is a left side elevational view of the washer toss game of FIG. 1;

[56] References Cited

U.S. PATENT DOCUMENTS

D. 301,899	6/1989	Cook	D21/303
D. 329,666	9/1992	Dougherty	D21/303
D. 341,381	11/1993	Niebling	D21/303
D. 375,529	11/1996	Kohler	D21/303
3,674,270	7/1972	Benjamin et al.	273/400
4,982,966	1/1991	Teafatiller	273/400
5,282,635	1/1994	Hopkins	273/400

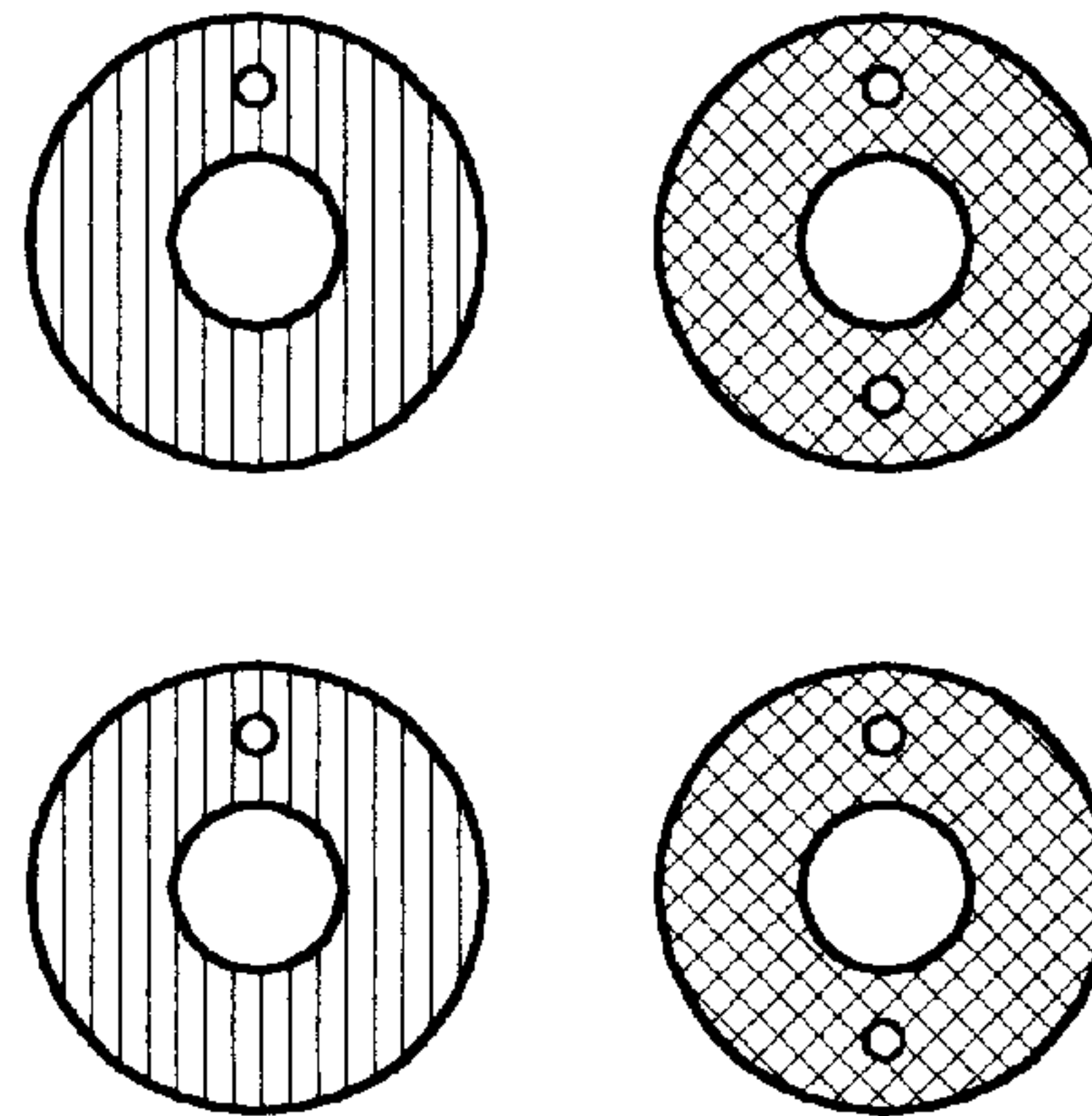
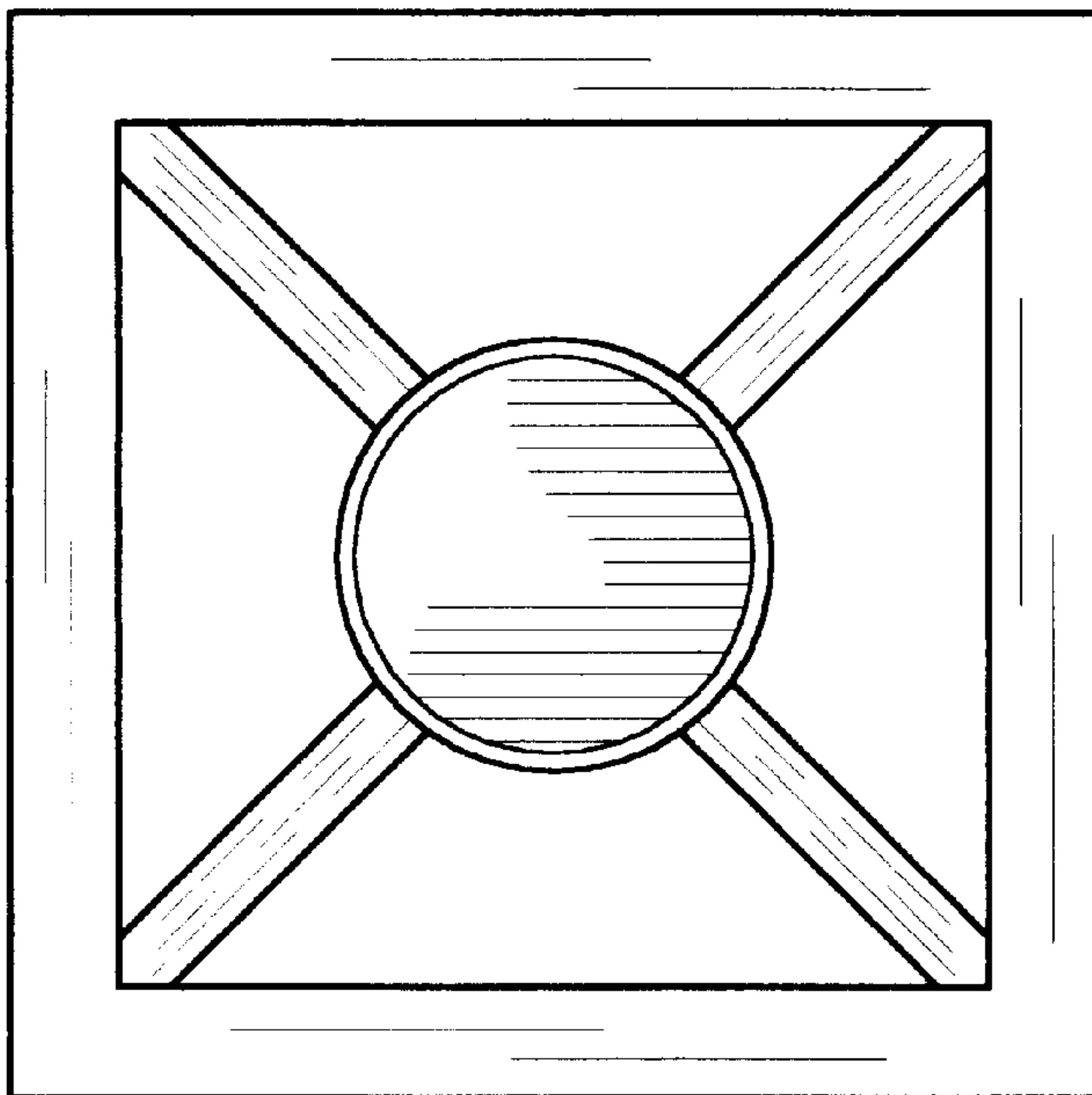
FIG. 5 is a front elevational view of the washer toss game of FIG. 1; and,

FIG. 6 is a back elevational view of the washer toss game of FIG. 1.

The vertical hatching shown on the washers of FIGS. 1 and 2 are indicative of the color red.

The diagonal cross-hatching shown on the washers of FIGS. 1 and 2 are indicative of the color orange.

1 Claim, 2 Drawing Sheets



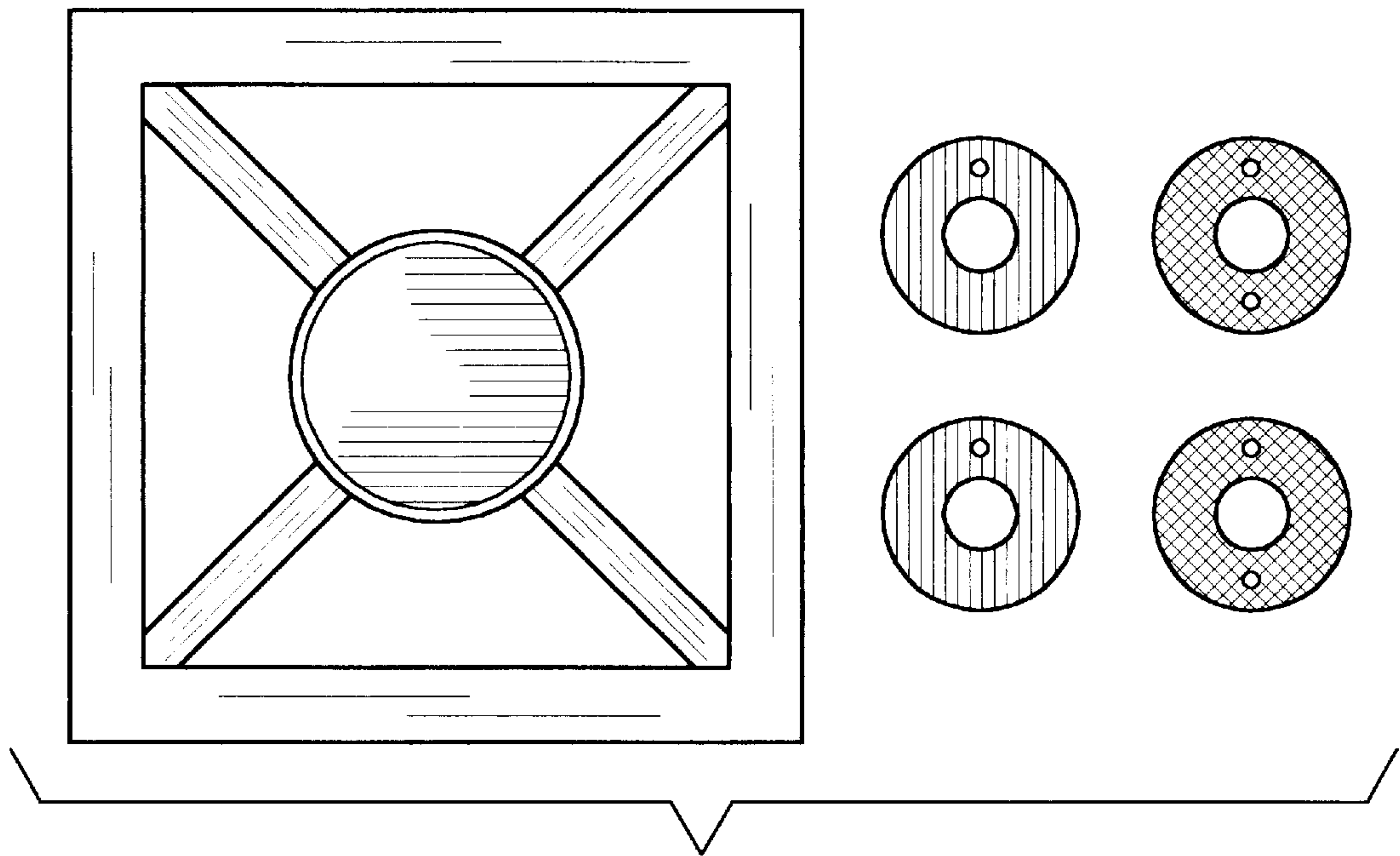


Fig. 1

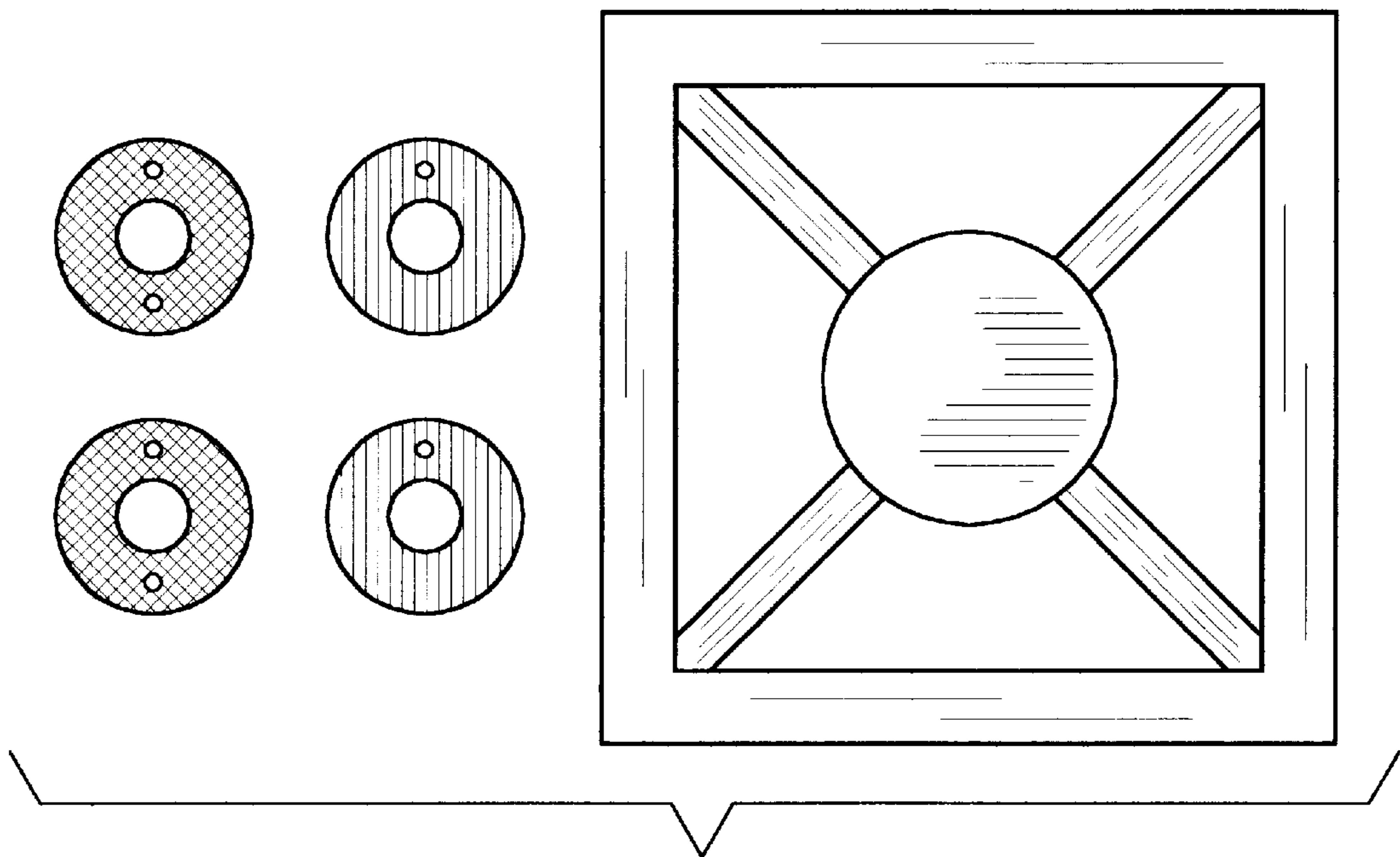


Fig. 2

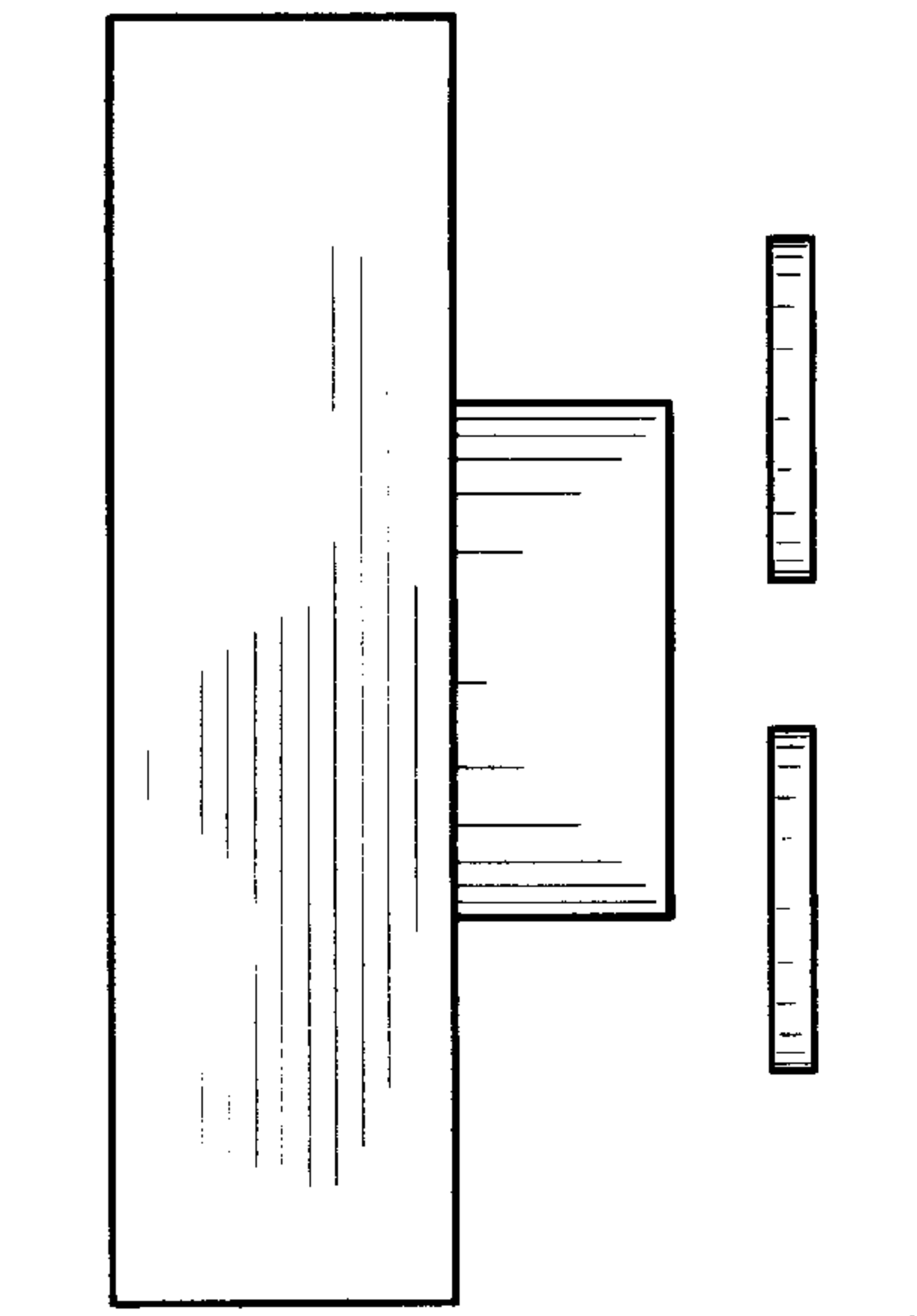


Fig. 3

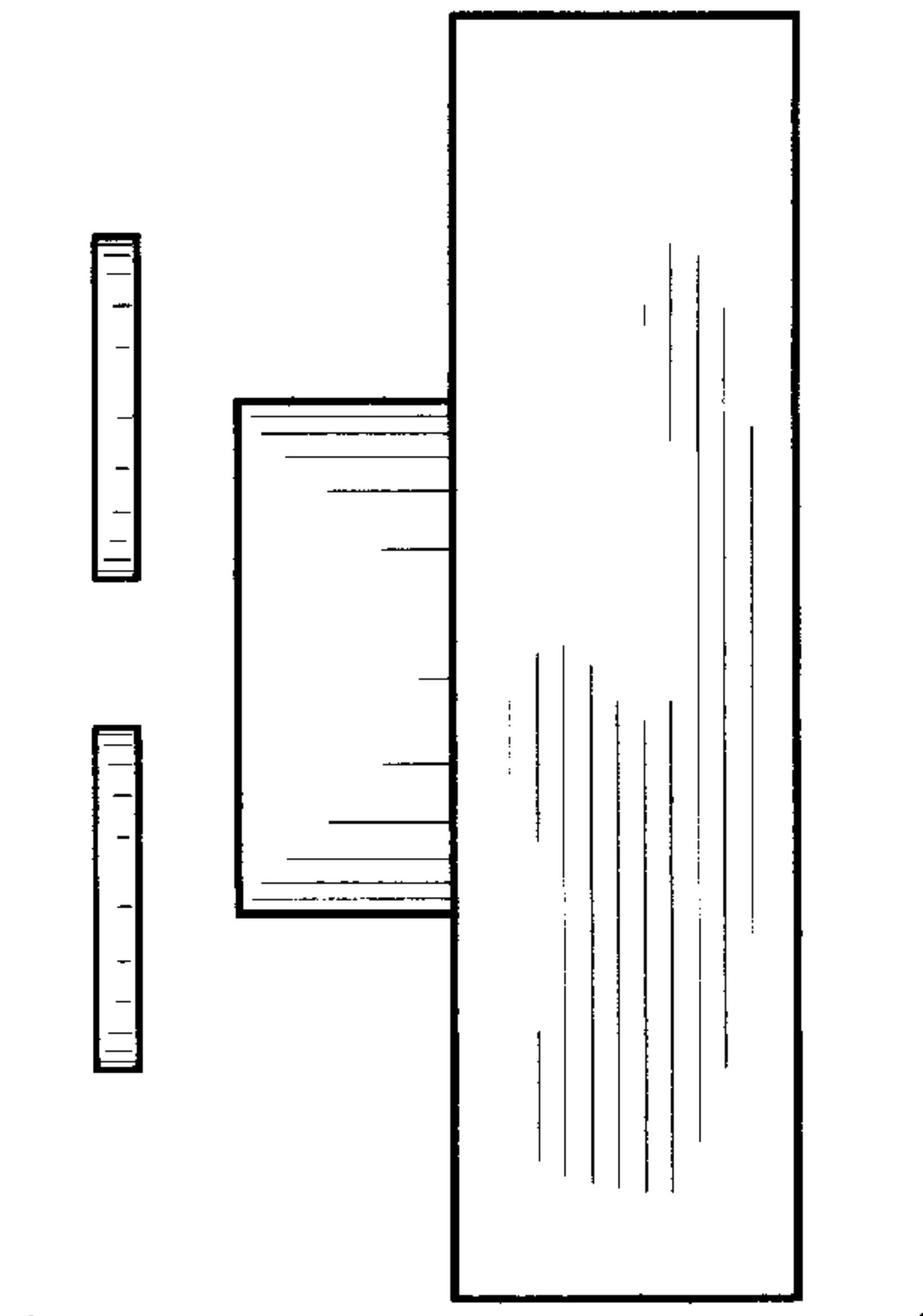


Fig. 4

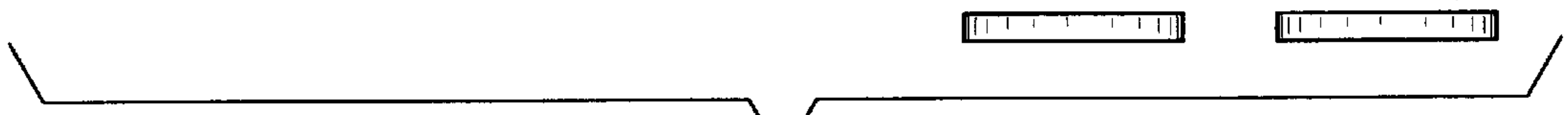
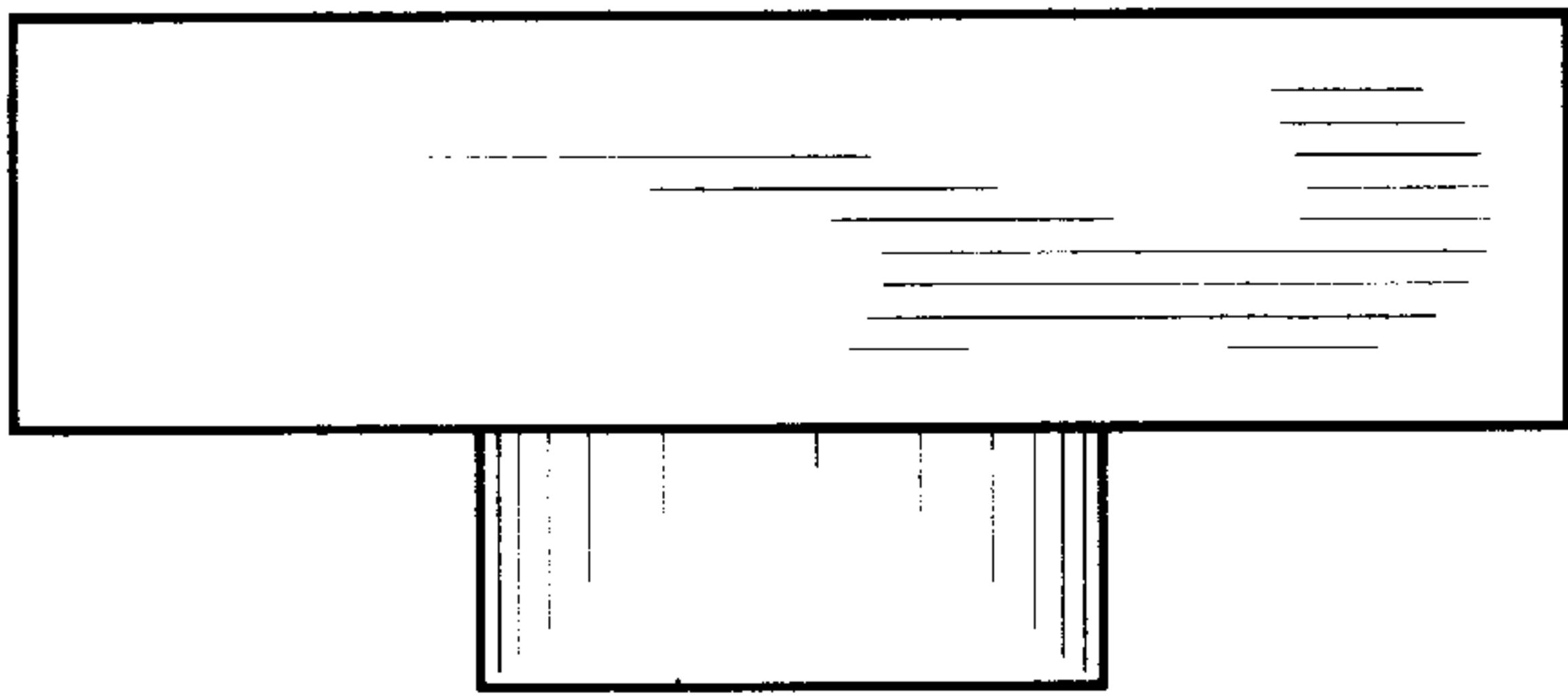


Fig. 5

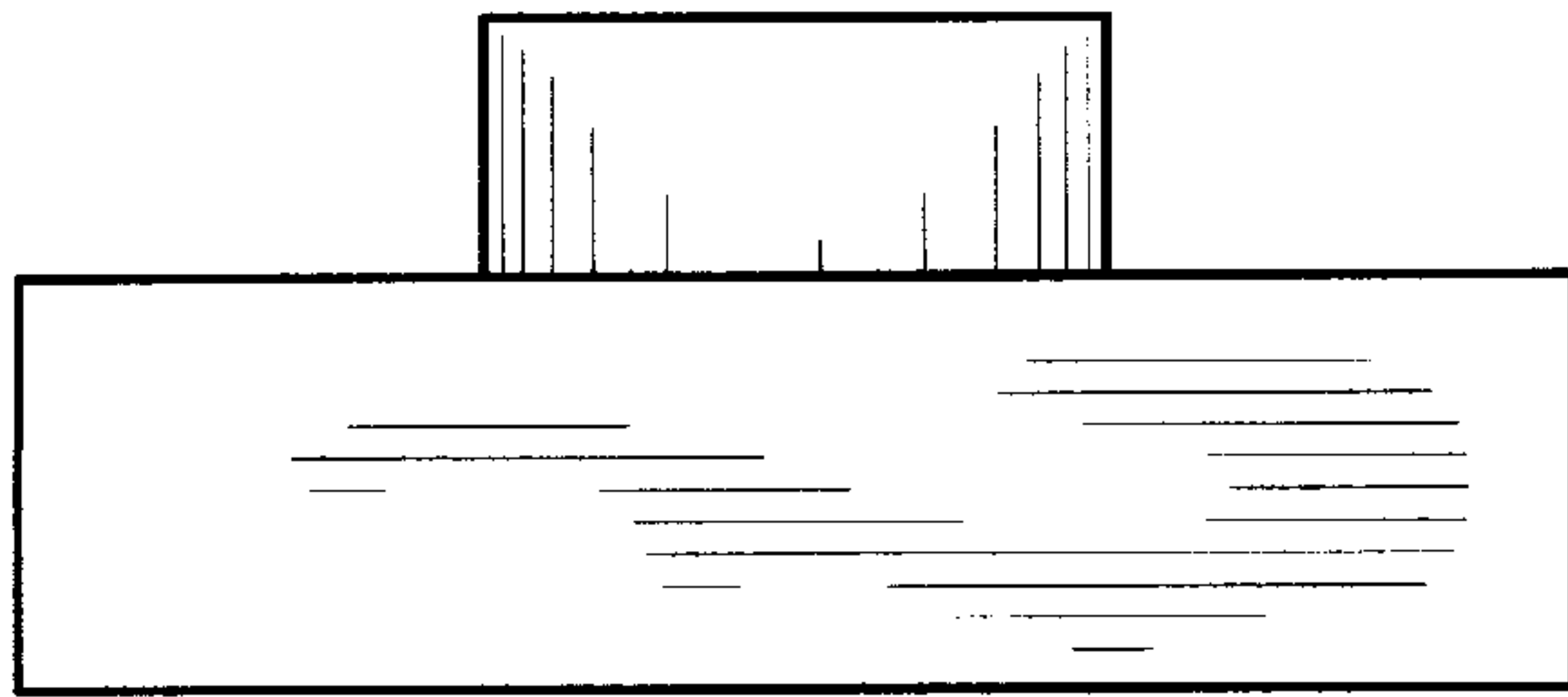


Fig. 6