



US00D428058S

United States Patent [19] Wagner

[11] **Patent Number: Des. 428,058**
[45] **Date of Patent: ** Jul. 11, 2000**

[54] **PUSH PIN**

[75] **Inventor: David K Wagner**, Charlotte, N.C.

[73] **Assignee: Plush Pins, LLC**, Charlotte, N.C.

[**] **Term: 14 Years**

[21] **Appl. No.: 29/114,121**

[22] **Filed: Nov. 18, 1999**

[51] **LOC (7) Cl. 19-02**

[52] **U.S. Cl. D19/65; D19/86; D8/388; D8/391; D6/307**

[58] **Field of Search D8/388, 389, 390, D8/391, 392, 393, 382, 349, 399; D19/65, 86, 90, 91, 99, 100; 411/439, 473, 480-488, 500; 24/706, 711.4, 711.3; 472/51; 52/157; 40/596**

[56] **References Cited**

U.S. PATENT DOCUMENTS

D. 24,631	8/1895	Warren .	
D. 24,632	8/1895	Warren .	
D. 25,266	3/1896	Warren et al. .	
D. 26,960	4/1897	Walker .	
D. 38,351	12/1906	Wyman .	
D. 38,352	12/1906	Wyman .	
D. 112,272	11/1938	Blunt	D9/333
112,378	3/1871	Porter .	
D. 149,099	3/1948	Sweet .	
D. 188,950	10/1960	Miller .	
D. 237,681	11/1975	Knohl et al. .	
D. 243,580	3/1977	DeCaro .	
D. 255,855	7/1980	Glogovesan	D6/307
D. 275,555	9/1984	Giggey .	
D. 286,612	11/1986	Adams .	
D. 300,508	4/1989	Viening .	
D. 347,600	6/1994	Ilaria et al.	D11/133
D. 408,059	4/1999	Marnix	D19/97
D. 409,663	5/1999	Wagner et al. .	

D. 410,032	5/1999	Wagner et al. .	
D. 414,207	9/1999	Wagner et al. .	
482,257	9/1892	Larkin .	
816,095	3/1906	House .	
1,182,305	5/1916	Norcross .	
1,207,960	12/1916	McNeill .	
1,211,976	1/1917	Spencer et al.	D11/207 X
1,338,154	4/1920	Pipkin .	
1,991,561	2/1935	Krantz .	
2,266,432	12/1941	Morin et al. .	
3,205,757	9/1965	Kuennen .	
3,361,461	1/1968	MacPhail, Sr. .	
3,675,355	7/1972	Shanok et al.	40/596
5,199,681	4/1993	Reidy .	
5,370,487	12/1994	Kracke .	
5,575,122	11/1996	Hamilton et al. .	

OTHER PUBLICATIONS

Framing Tacks (7495A), Sporty's Pilot Shop (catalog), Summer 1999.

Instruction sheet for CornerIts™ tacks, which is the subject of U.S. Patent No. 5,199,681 (Cite No. 27).

Primary Examiner—Martie K. Holtje
Attorney, Agent, or Firm—Alston & Bird LLP

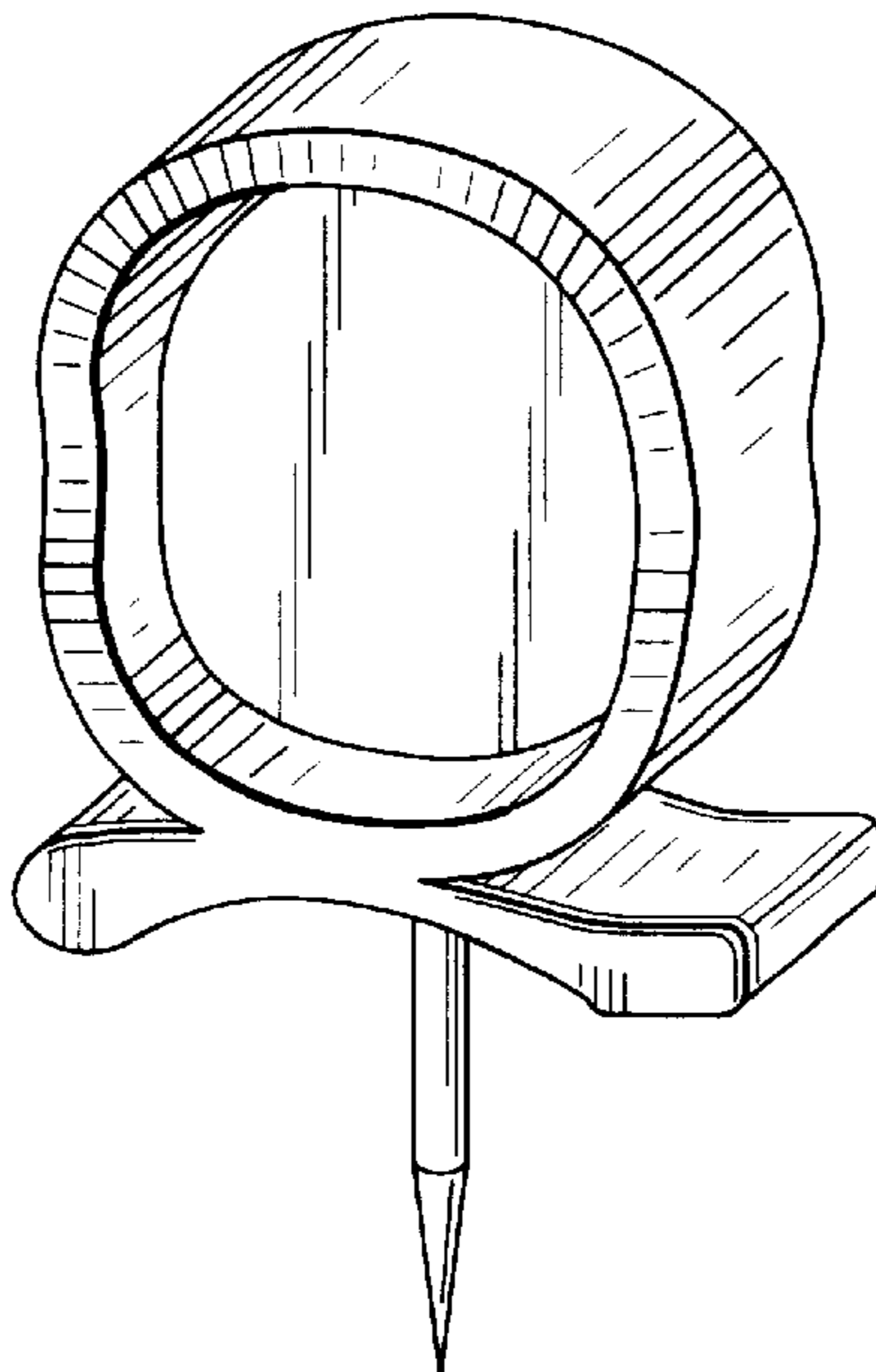
[57] **CLAIM**

The ornamental design for a push pin, as shown and described.

DESCRIPTION

FIG. 1 is a perspective view of a push pin showing my new design;
FIG. 2 is a right side elevational view thereof, the left side being a mirror image thereof;
FIG. 3 is a top plan view thereof;
FIG. 4 is a bottom plan view thereof;
FIG. 5 is a rear elevational view thereof; and,
FIG. 6 is a front elevational view thereof.

1 Claim, 2 Drawing Sheets



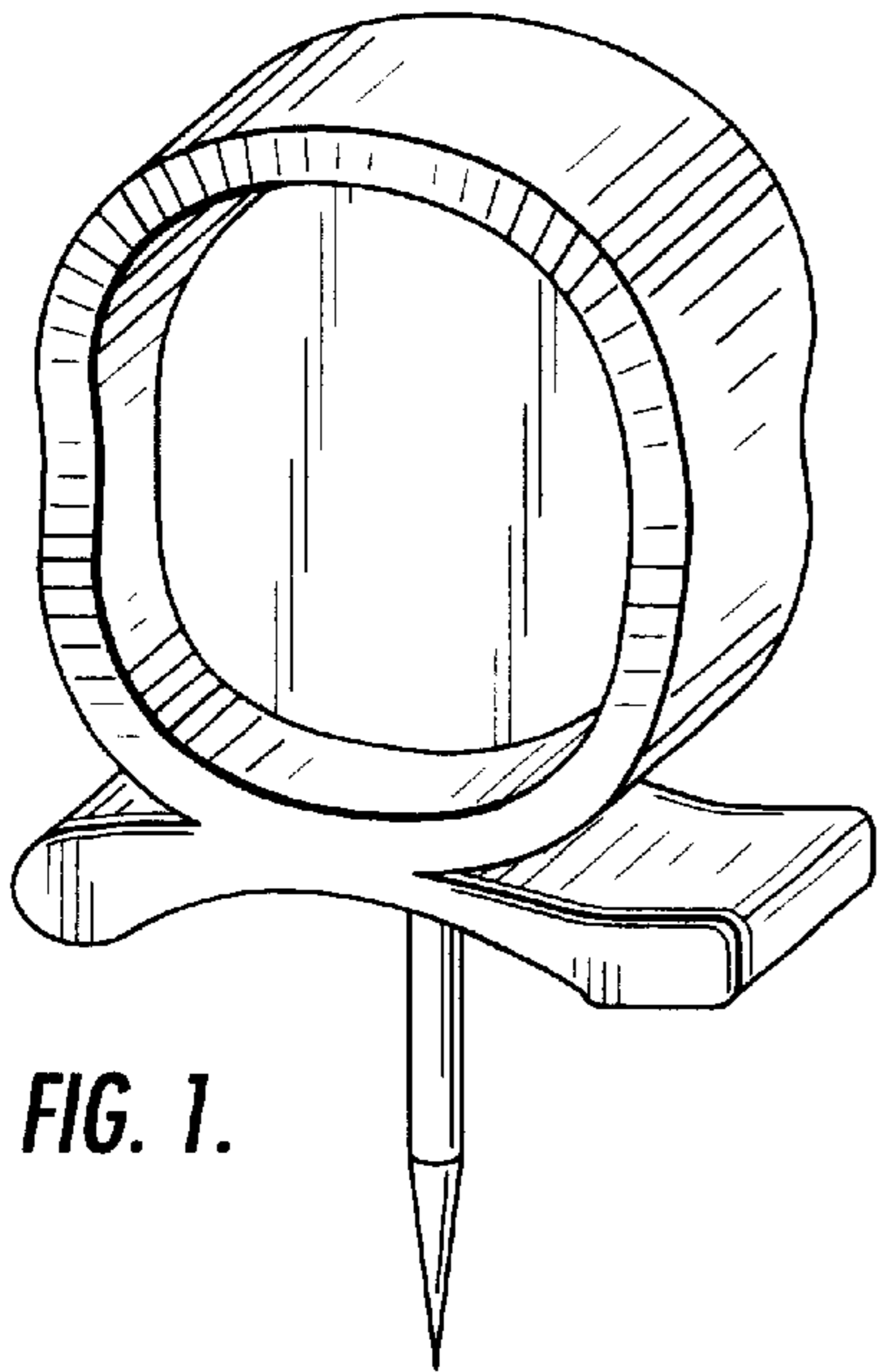


FIG. 1.

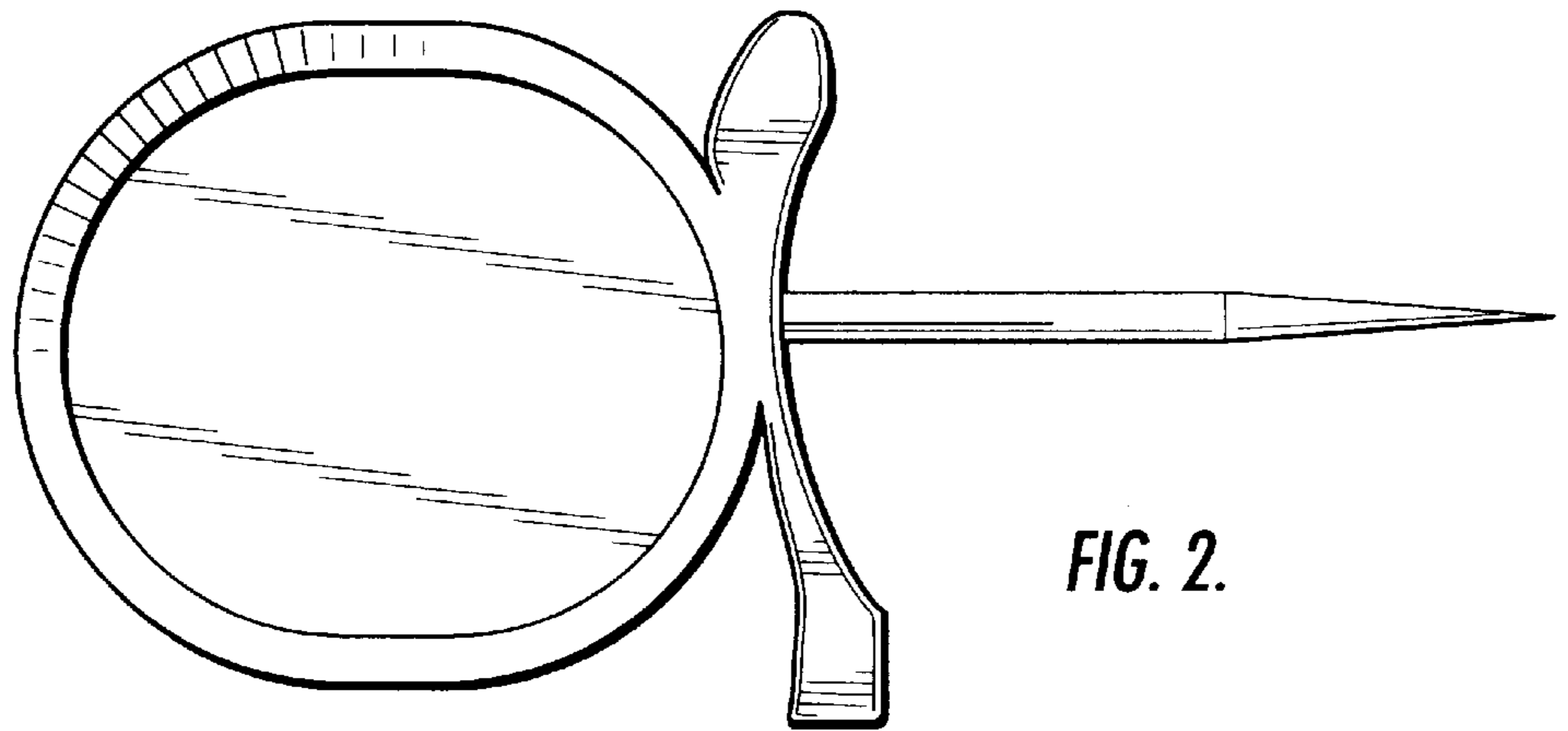


FIG. 2.

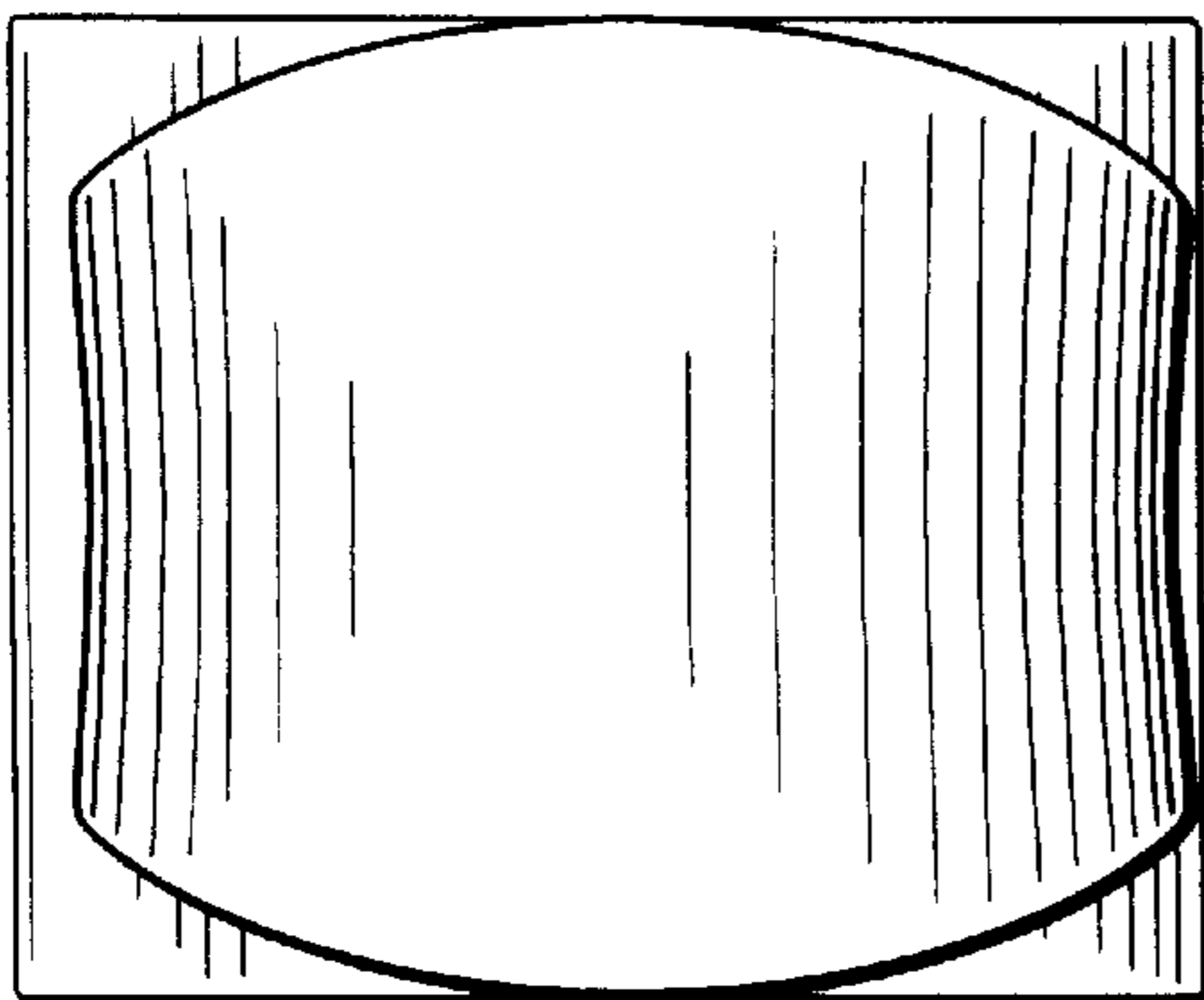


FIG. 3.

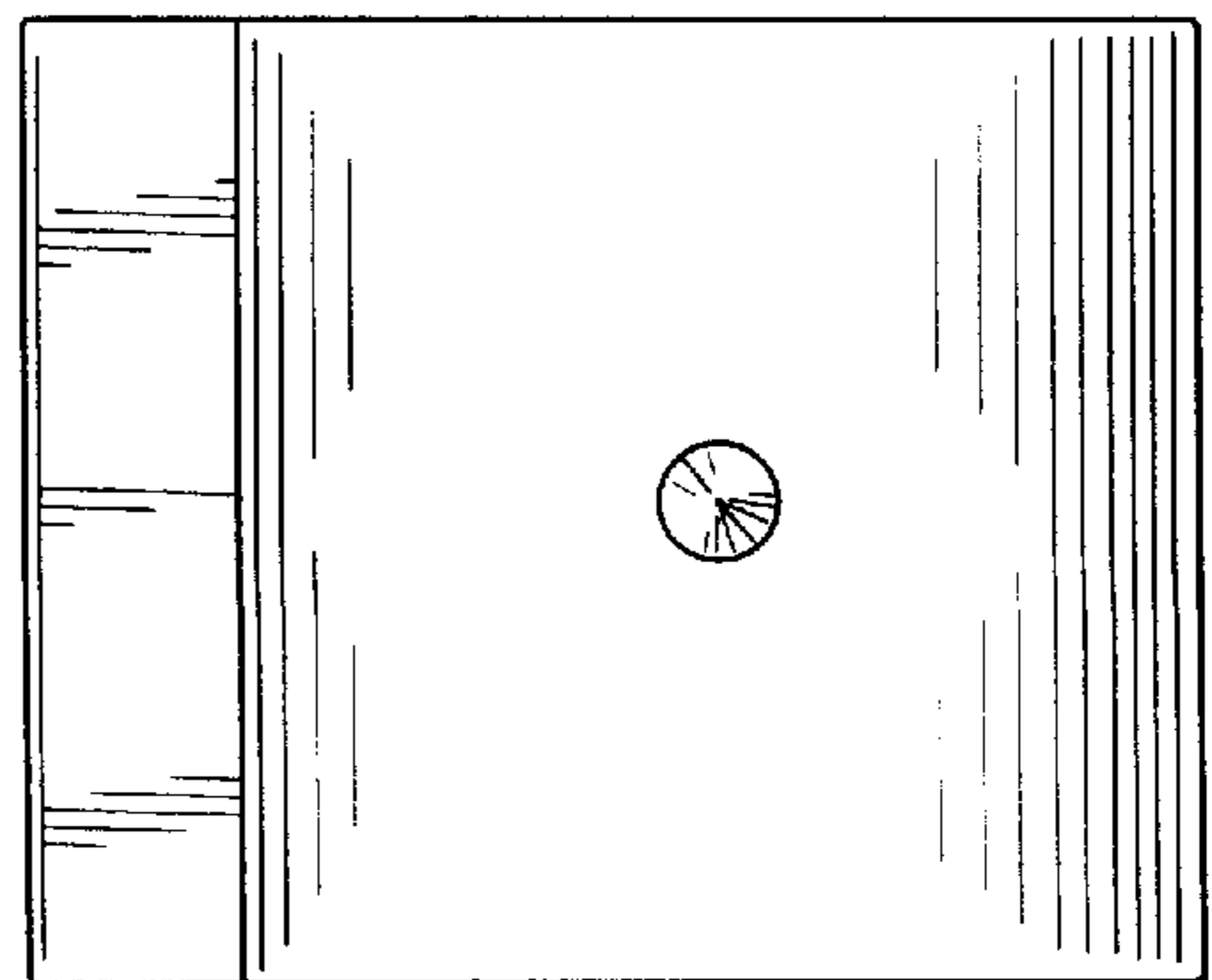


FIG. 4.

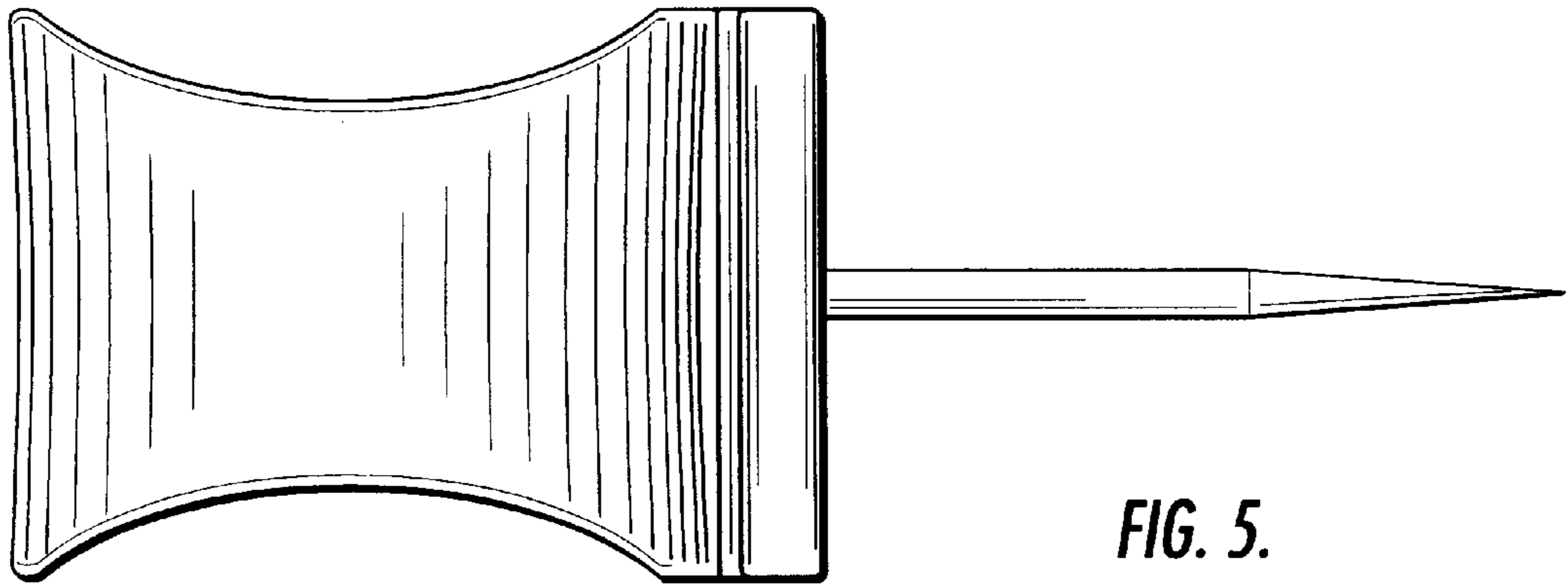


FIG. 5.

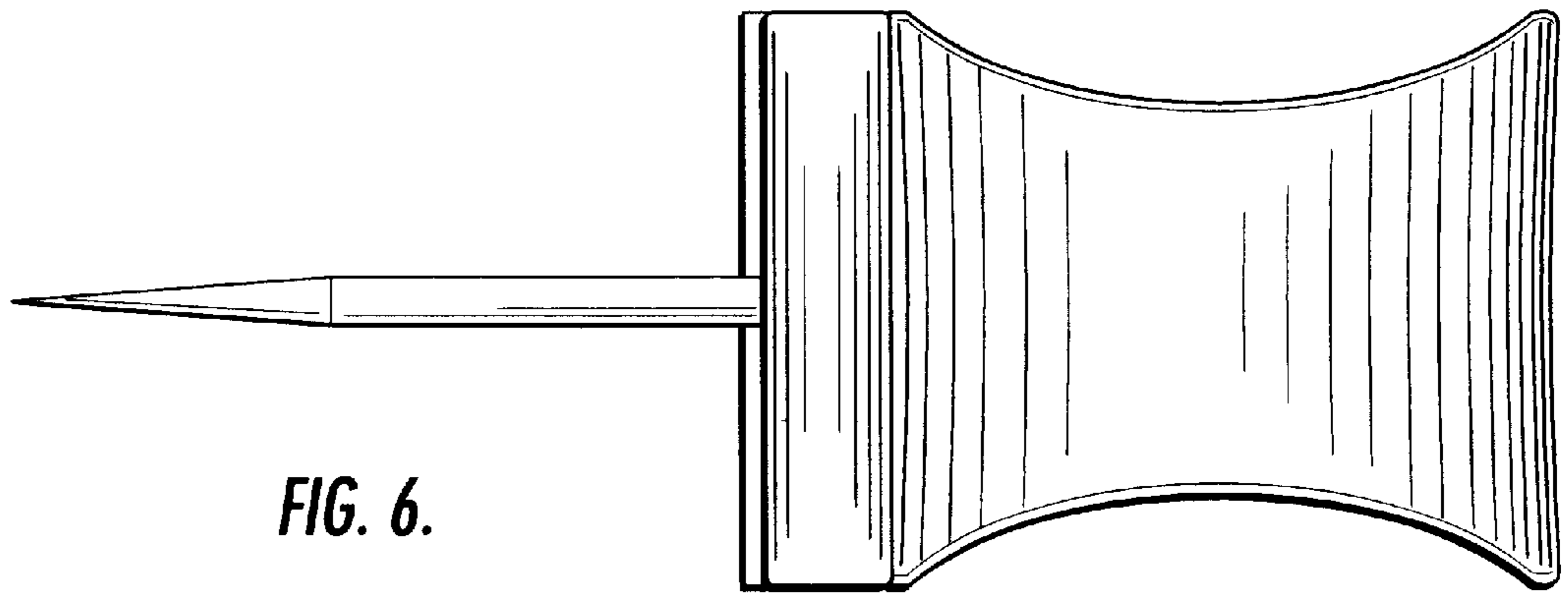


FIG. 6.