



US00D428057S

United States Patent [19] Creamer

[11] Patent Number: **Des. 428,057**

[45] Date of Patent: **** Jul. 11, 2000**

[54] **END CAP FOR A PEN**
[76] Inventor: **Joan Creamer**, 47B Eagle Run, East Greenwich, R.I. 02818
[**] Term: **14 Years**
[21] Appl. No.: **29/116,092**
[22] Filed: **Dec. 27, 1999**

2,457,217 12/1948 Ernst D19/36 X
2,473,688 6/1949 Martin .
2,479,414 8/1949 Sanbonmatsu D19/47 X
2,541,855 2/1951 Bauer .
2,907,085 10/1959 Bosland .
3,251,343 5/1966 Wesenberg .
3,608,154 9/1971 Ira .
3,648,404 3/1972 Ogsbury .

Primary Examiner—Martie K. Holtje
Attorney, Agent, or Firm—Salter & Michaelson

Related U.S. Application Data

[62] Division of application No. 29/081,431, Jan. 2, 1998.
[51] **LOC (7) Cl.** **19-06**
[52] **U.S. Cl.** **D19/57; D19/51**
[58] **Field of Search** D19/35, 36, 41-51, D19/53-58, 81-85; 401/102, 202, 243-247, 262; 24/10 R, 11 R, 11 PP, 11 CC, 11 HC, 11 C, 11 M, 11 P

[57] CLAIM

The ornamental design for an end cap for a pen, as shown and described.

DESCRIPTION

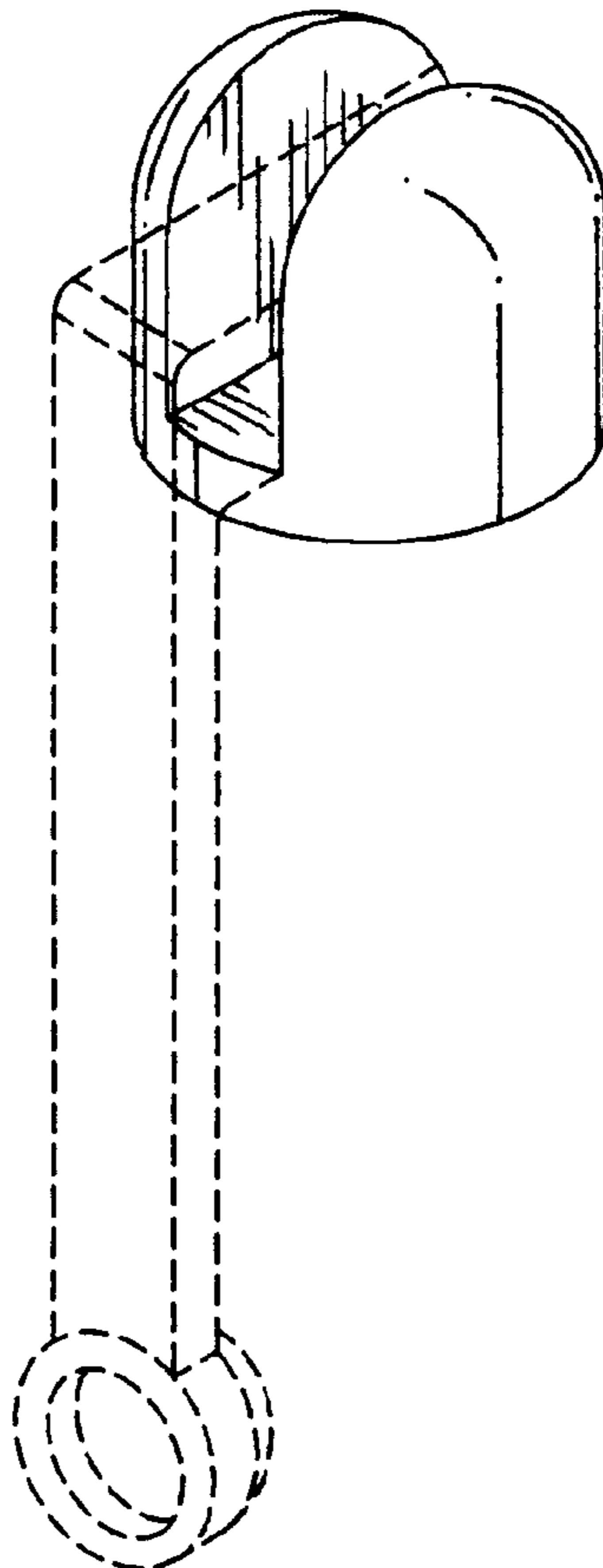
FIG. 1 is a perspective view of my new design for the end cap of a pen;
FIG. 2 is a front view thereof;
FIG. 3 is a rear view thereof;
FIG. 4 is a right side view thereof;
FIG. 5 is a left side view thereof;
FIG. 6 is a top plan view thereof;
FIG. 7 is a bottom plan view thereof; and,
FIG. 8 is a perspective view of a modified embodiment of my new design.
The broken lines in the figures are for illustrative purposes only and do not form part of the claimed design.

[56] References Cited

U.S. PATENT DOCUMENTS

D. 310,956 10/1990 Huska .
933,831 9/1909 Steiger .
1,323,612 12/1919 Rich .
1,342,512 6/1920 Skinderviken D19/54 X
2,087,880 7/1937 Bastable .
2,208,049 7/1940 Pajeau .
2,320,455 6/1943 Feig .

1 Claim, 3 Drawing Sheets



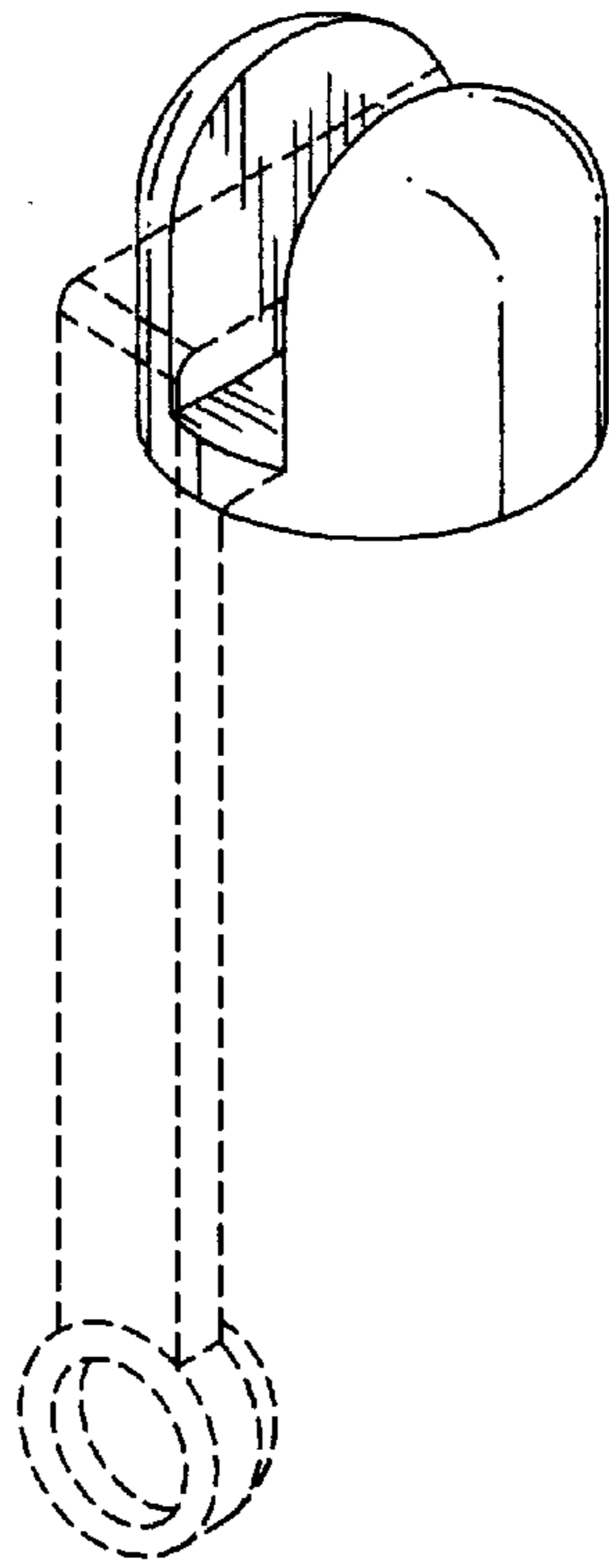


FIG. 1

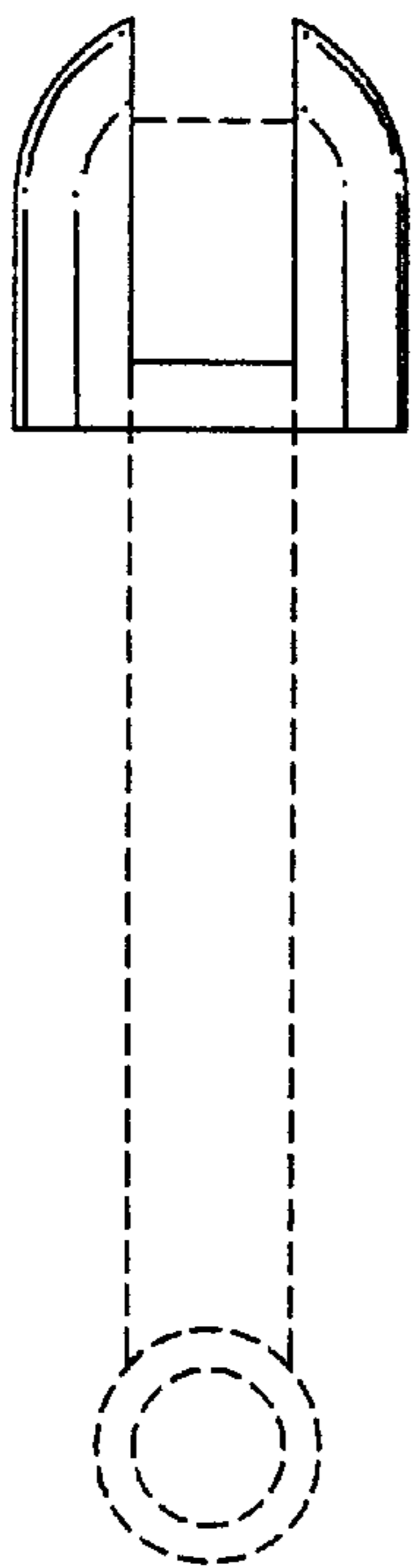


FIG. 2

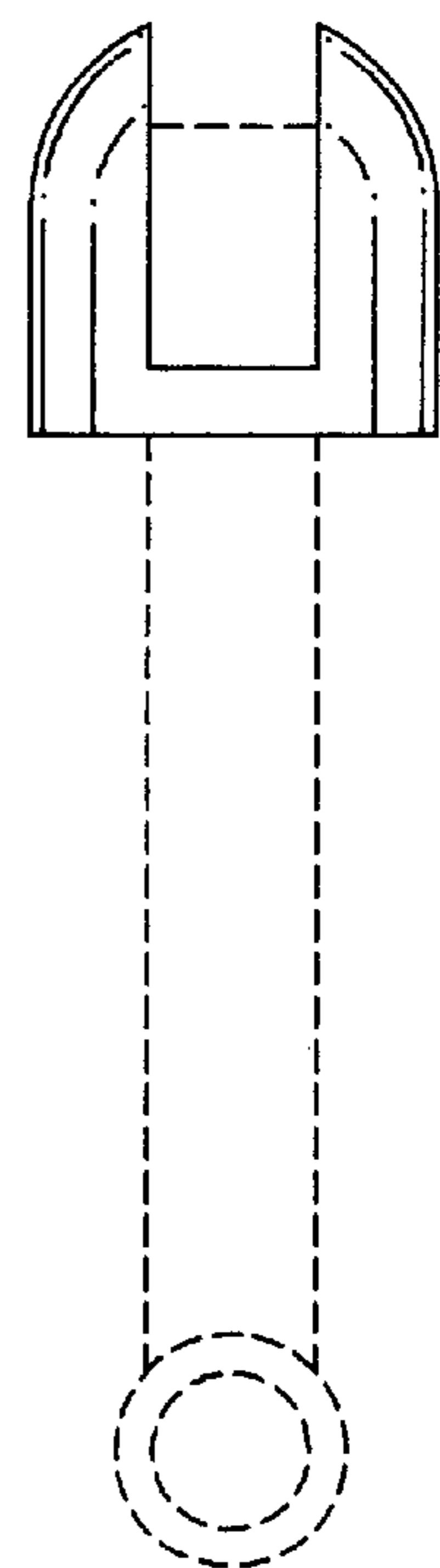


FIG. 3

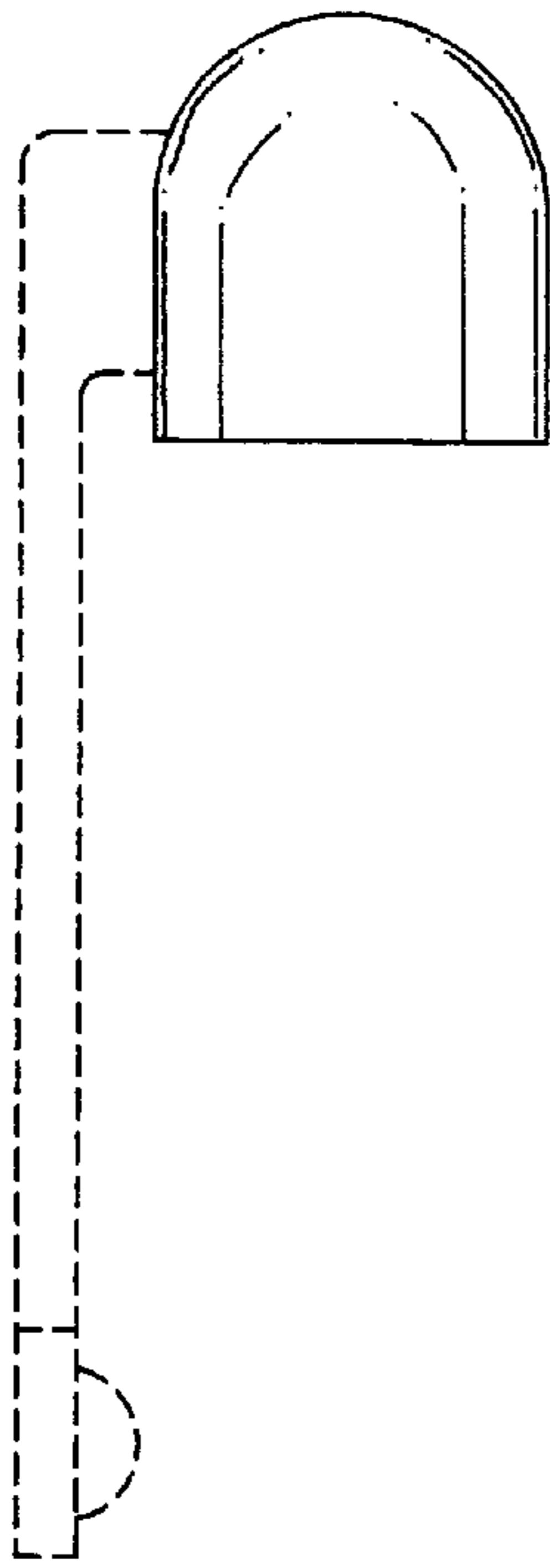


FIG. 4

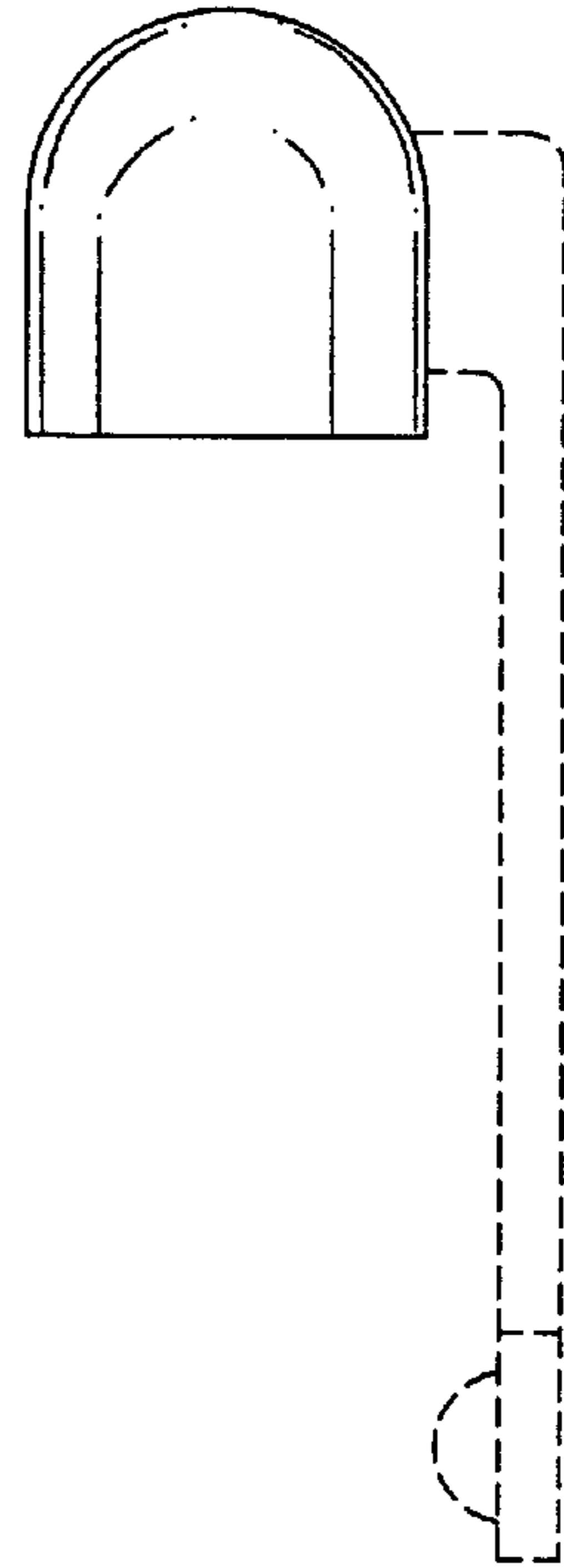


FIG. 5

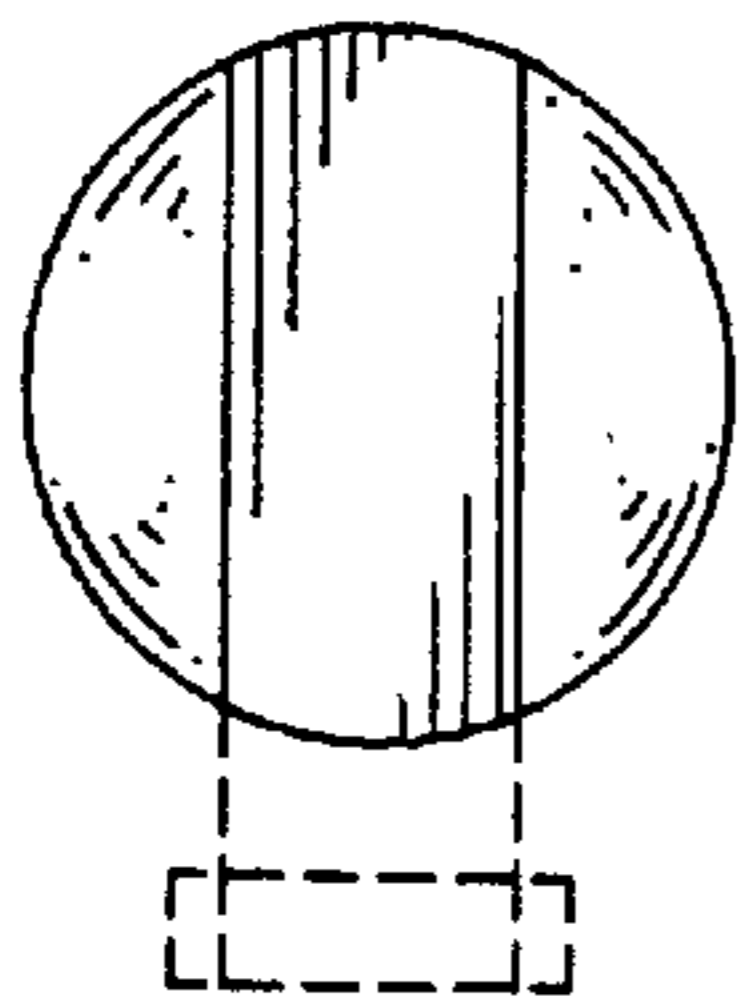


FIG. 6

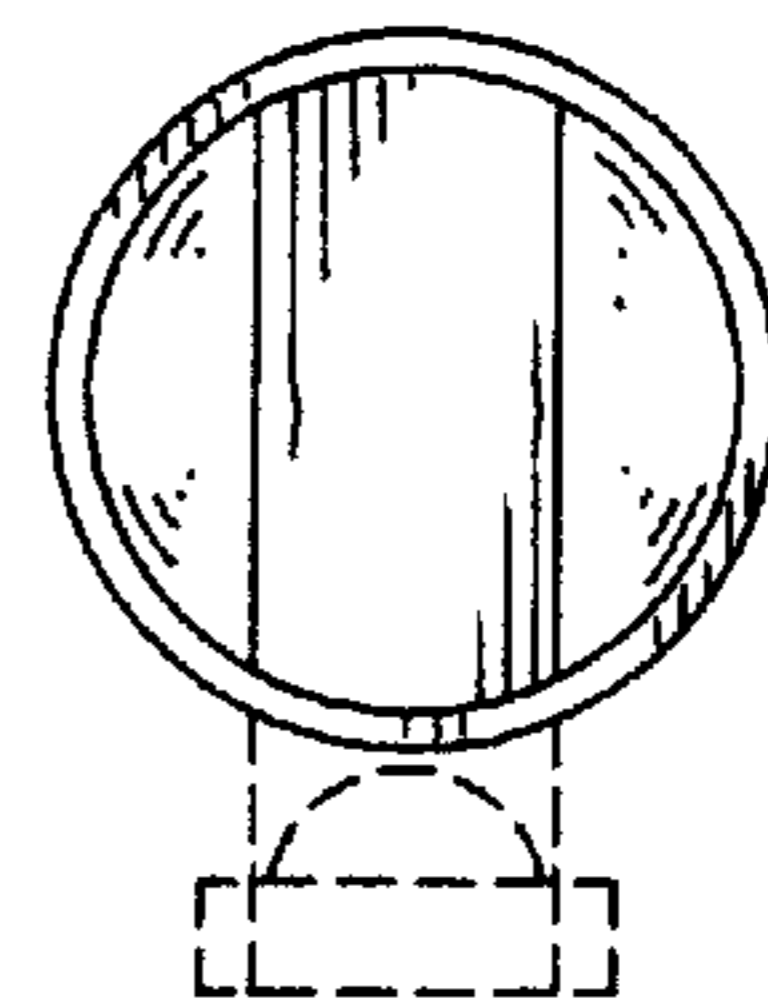


FIG. 7

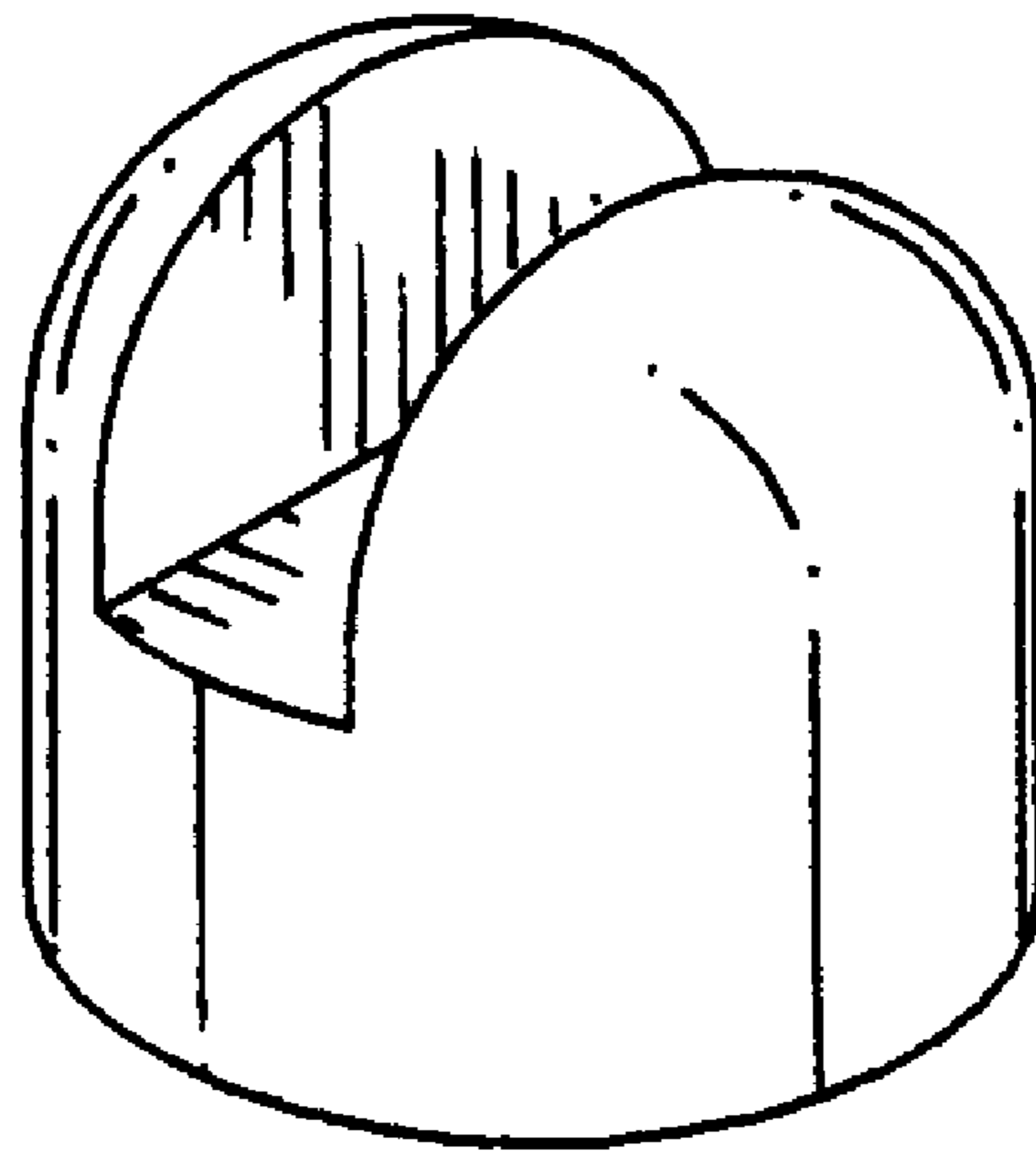


FIG. 8