



US00D428050S

United States Patent [19]

Nishiyama et al.

[11] **Patent Number: Des. 428,050**

[45] **Date of Patent: ** Jul. 11, 2000**

[54] **TONER SUPPLYING CARTRIDGE FOR AN IMAGE FORMING APPARATUS**

5,629,759 5/1997 Jyoroku 399/262

FOREIGN PATENT DOCUMENTS

[75] Inventors: **Shigeru Nishiyama; Masakazu Taoka,**
both of Osaka, Japan

1002216 2/1995 Japan .
2060675 2/1997 United Kingdom .

[73] Assignee: **Mita Industrial Co., Ltd.,** Tokyo, Japan

Primary Examiner—Caron D. Veynar
Attorney, Agent, or Firm—Smith, Gambrell & Russell, LLP

[**] Term: **14 Years**

[57] CLAIM

[21] Appl. No.: **29/105,995**

The ornamental design of a toner supplying cartridge for an image forming apparatus, as shown.

[22] Filed: **Jun. 1, 1999**

[30] Foreign Application Priority Data

DESCRIPTION

Dec. 11, 1998 [JP] Japan 10-35940

FIG. 1 is a left side view of a toner supplying cartridge for an image forming apparatus;

[51] **LOC (7) Cl.** **16-03**

FIG. 2 is a front elevation view thereof;

[52] **U.S. Cl.** **D18/43**

FIG. 3 is a right side view thereof;

[58] **Field of Search** D18/36, 40, 43,
D18/56; 399/24, 25, 27, 28, 61, 99, 106,
262

FIG. 4 is a rear elevation view thereof;

FIG. 5 is a top plan view thereof;

FIG. 6 is a bottom plan view thereof; and,

FIG. 7 is a perspective view thereof.

[56] References Cited

U.S. PATENT DOCUMENTS

D. 398,023 9/1998 Okada D18/43

1 Claim, 7 Drawing Sheets

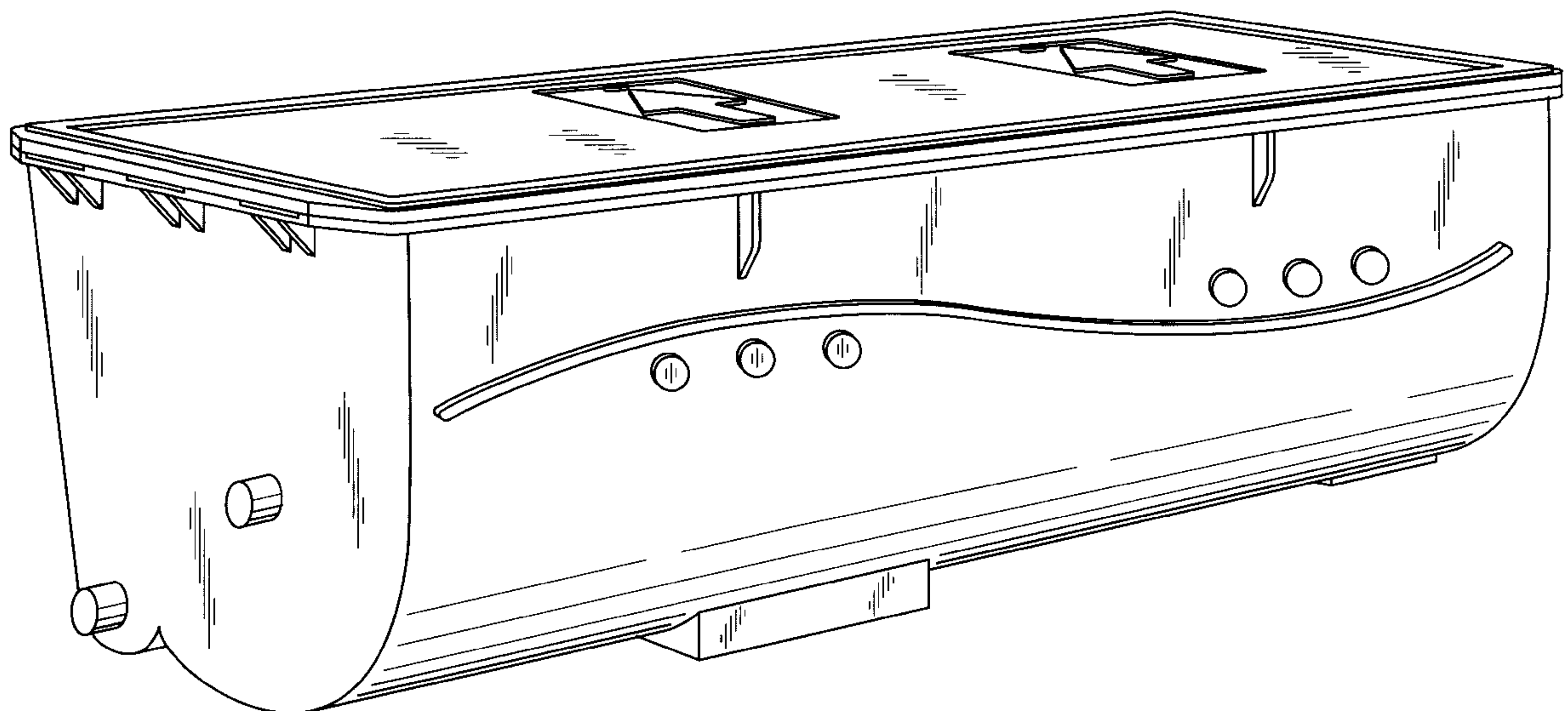


FIG. 1

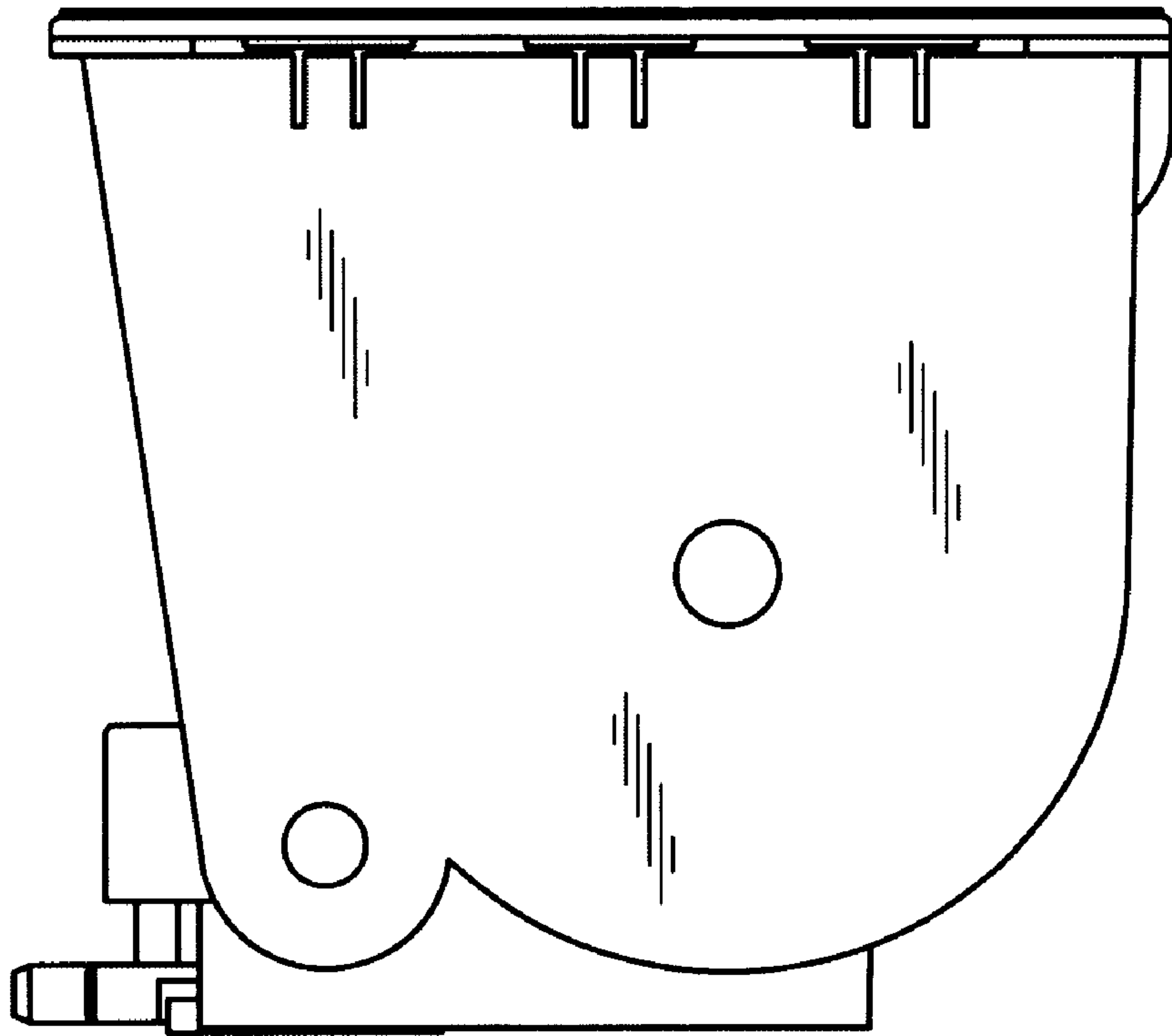


FIG. 2

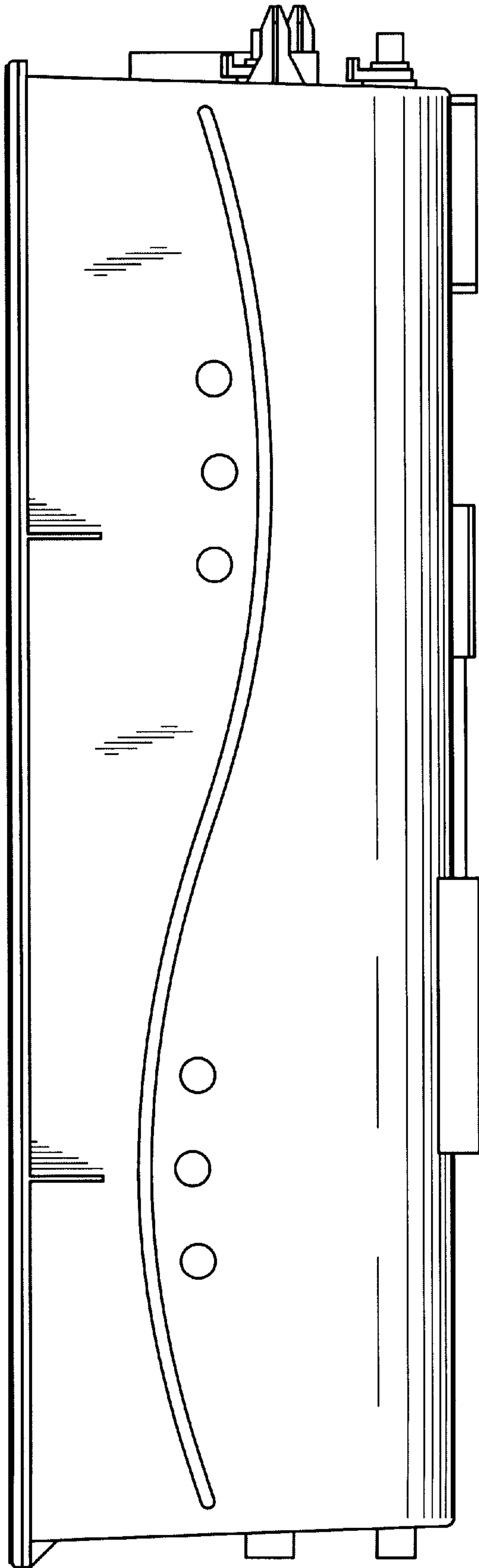


FIG. 3

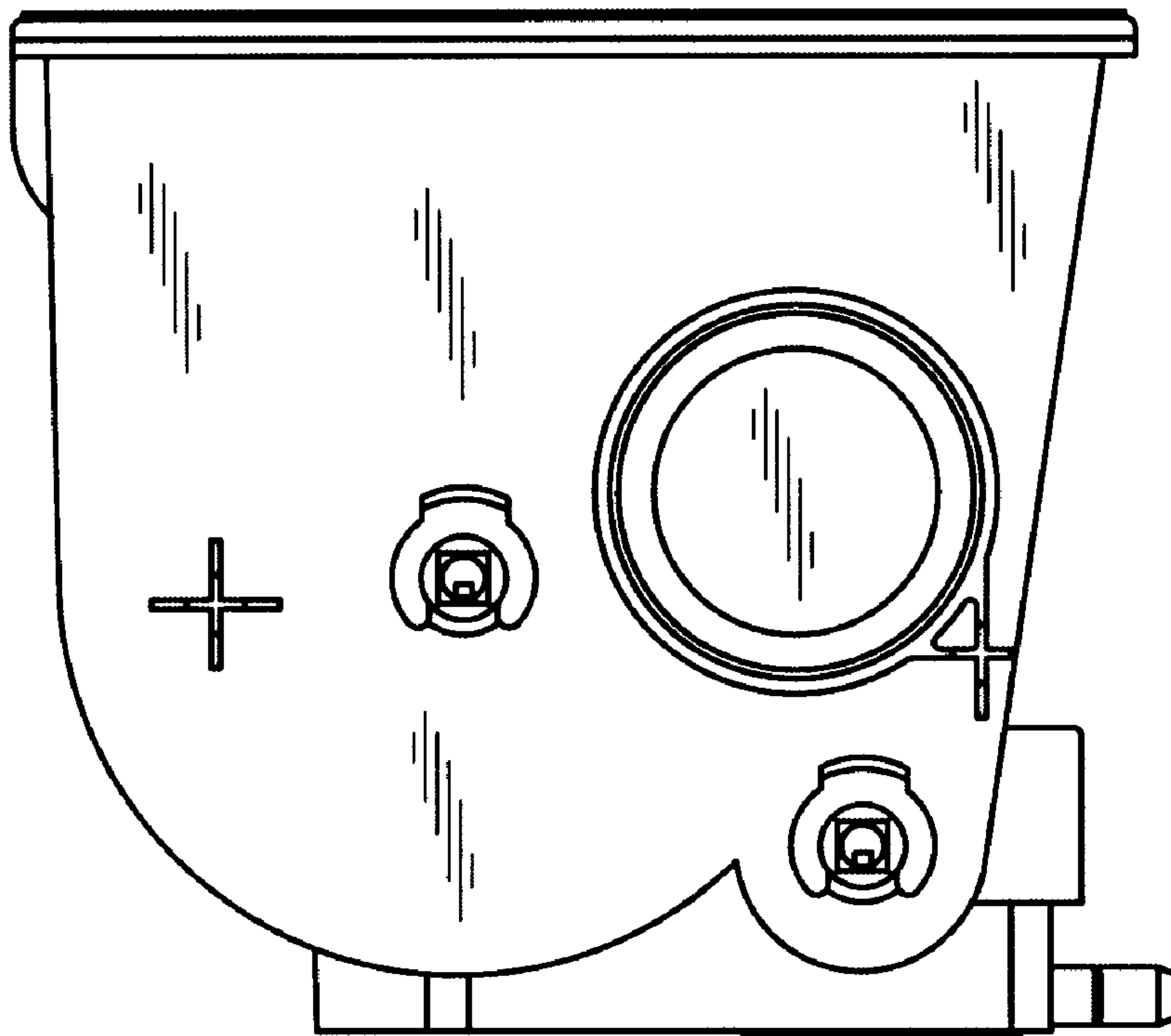


FIG. 4

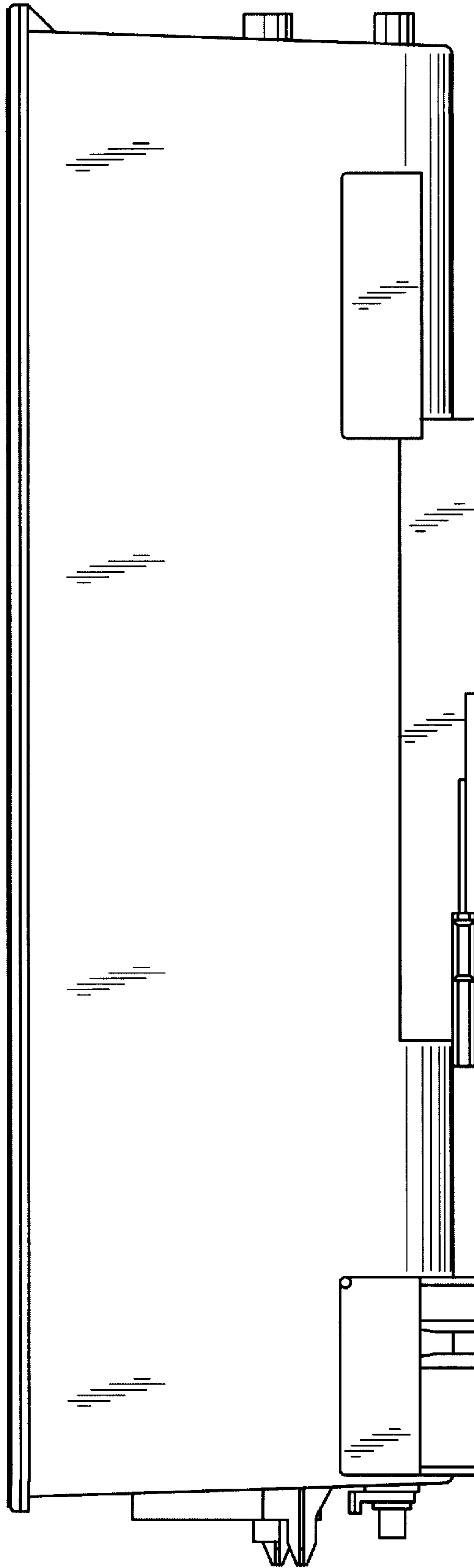


FIG. 5

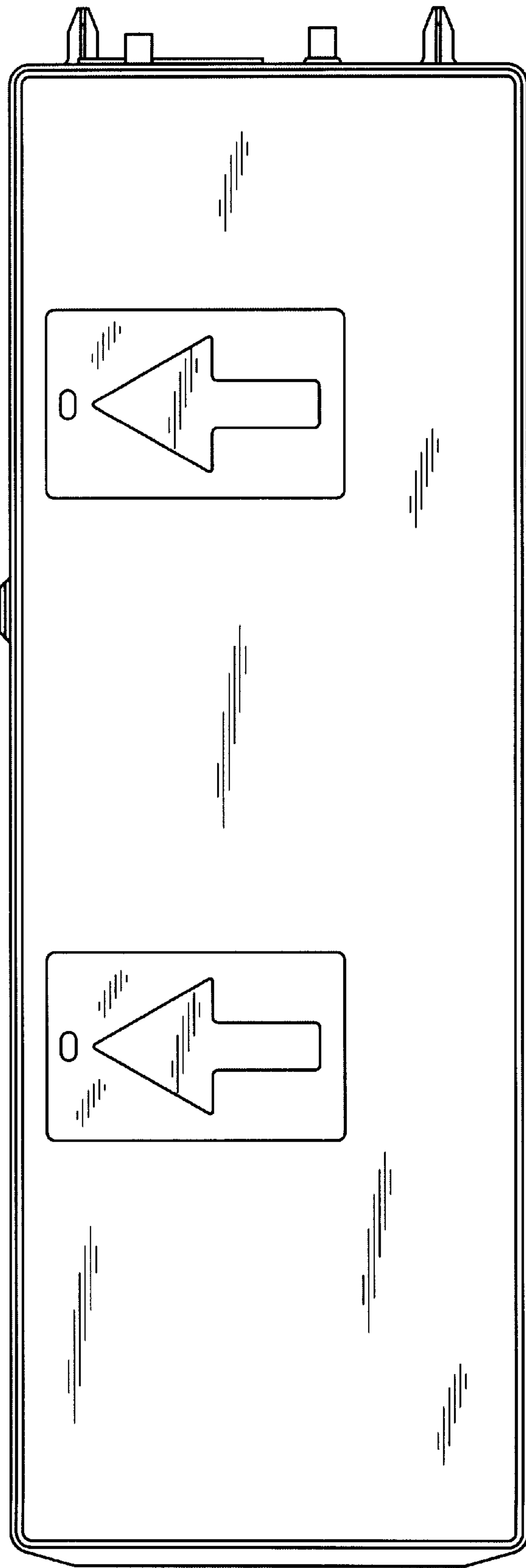


FIG. 6

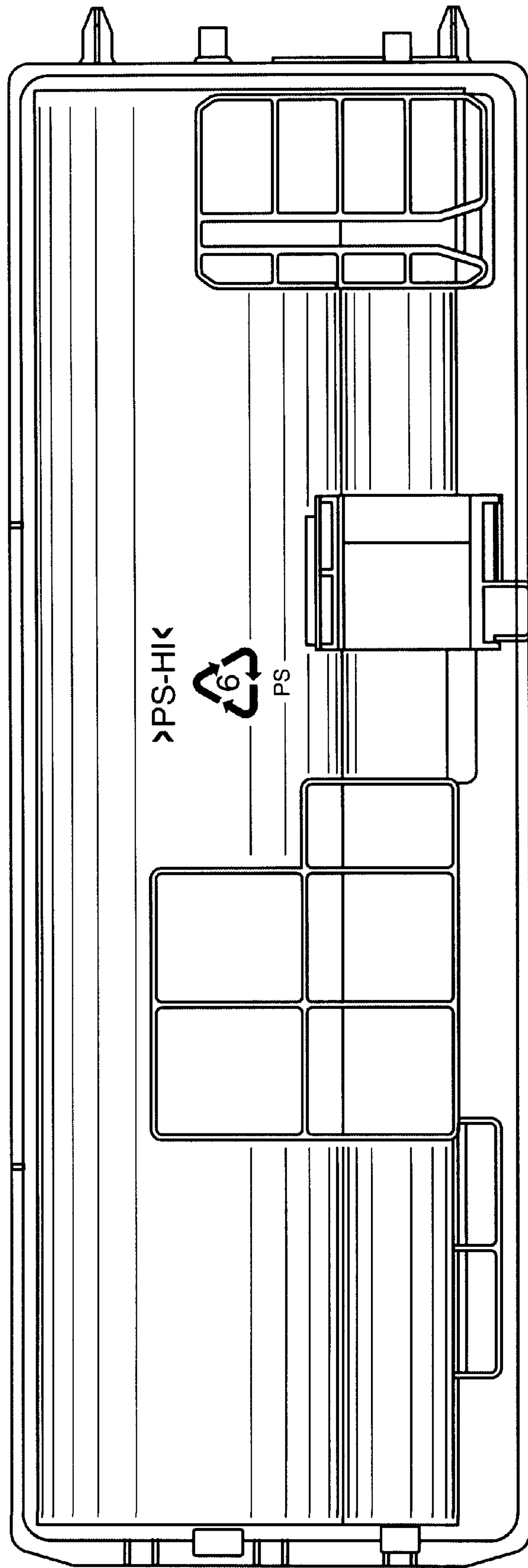


FIG. 7

