



US00D428038S

# United States Patent [19] Suto

[11] **Patent Number: Des. 428,038**

[45] **Date of Patent: \*\* Jul. 11, 2000**

[54] **FRONT PORTION OF CAMERA**

D. 406,158 2/1999 Akiyama et al. .... D16/202  
D. 415,511 10/1999 Funakoshi et al. .... D16/209

[75] Inventor: **Masatoki Suto**, Hannan, Japan

*Primary Examiner*—Adir Aronovich

[73] Assignee: **Minolta Co., Ltd.**, Osaka, Japan

*Attorney, Agent, or Firm*—Burns, Doane, Swecker & Mathis, LLP

[\*\*] Term: **14 Years**

[21] Appl. No.: **29/111,494**

[22] Filed: **Sep. 30, 1999**

[57] **CLAIM**

The ornamental design for a front portion of camera, as shown and described.

[30] **Foreign Application Priority Data**

**DESCRIPTION**

Mar. 31, 1999 [JP] Japan ..... 11-8441

FIG. 1 is a front perspective view of a front portion of camera according to my new design;  
FIG. 2 is a front elevational view thereof;  
FIG. 3 is a rear elevational view thereof;  
FIG. 4 is a left side elevational view thereof;  
FIG. 5 is a right side elevational view thereof;  
FIG. 6 is a top plan view thereof;  
FIG. 7 is a bottom plan view thereof; and,  
FIG. 8 is sectional view (inside mechanism omitted) taken along the line 8—8 in FIG. 2.

[51] **LOC (7) Cl.** ..... **16-05**

[52] **U.S. Cl.** ..... **D16/219; D16/208**

[58] **Field of Search** ..... D16/200, 202,  
D16/208, 209, 217–219, 237; 396/439,  
535–541

The portion of the camera shown in broken lines is for illustrative purpose only and forms no part of the claimed design.

[56] **References Cited**

**U.S. PATENT DOCUMENTS**

- D. 345,987 4/1994 Nihei ..... D16/209
- D. 352,303 11/1994 Lamphron ..... D16/209
- D. 360,217 7/1995 Shull et al. .... D16/209
- D. 400,901 11/1998 Chapman et al. .... D16/219

**1 Claim, 4 Drawing Sheets**

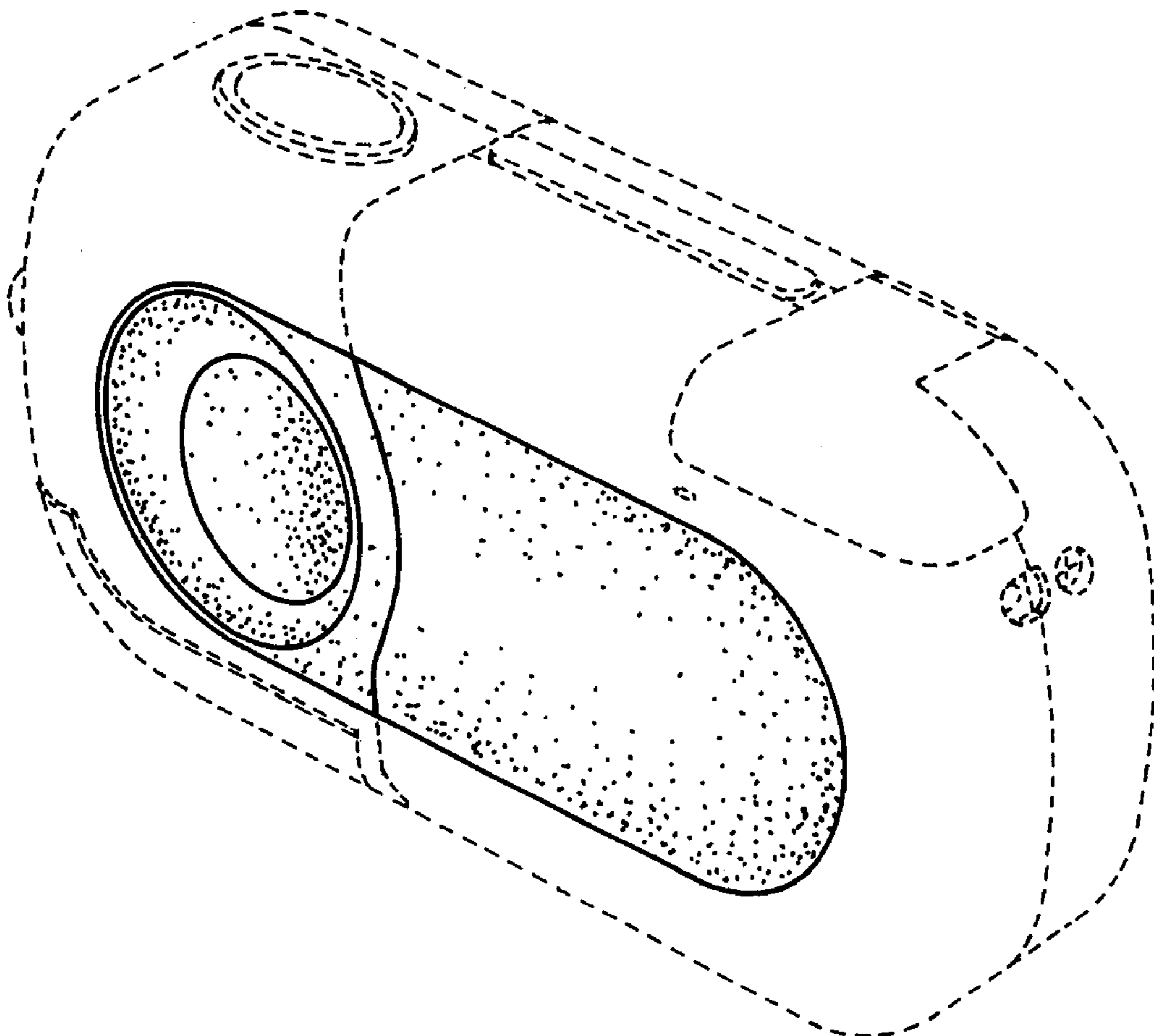


FIG. 1

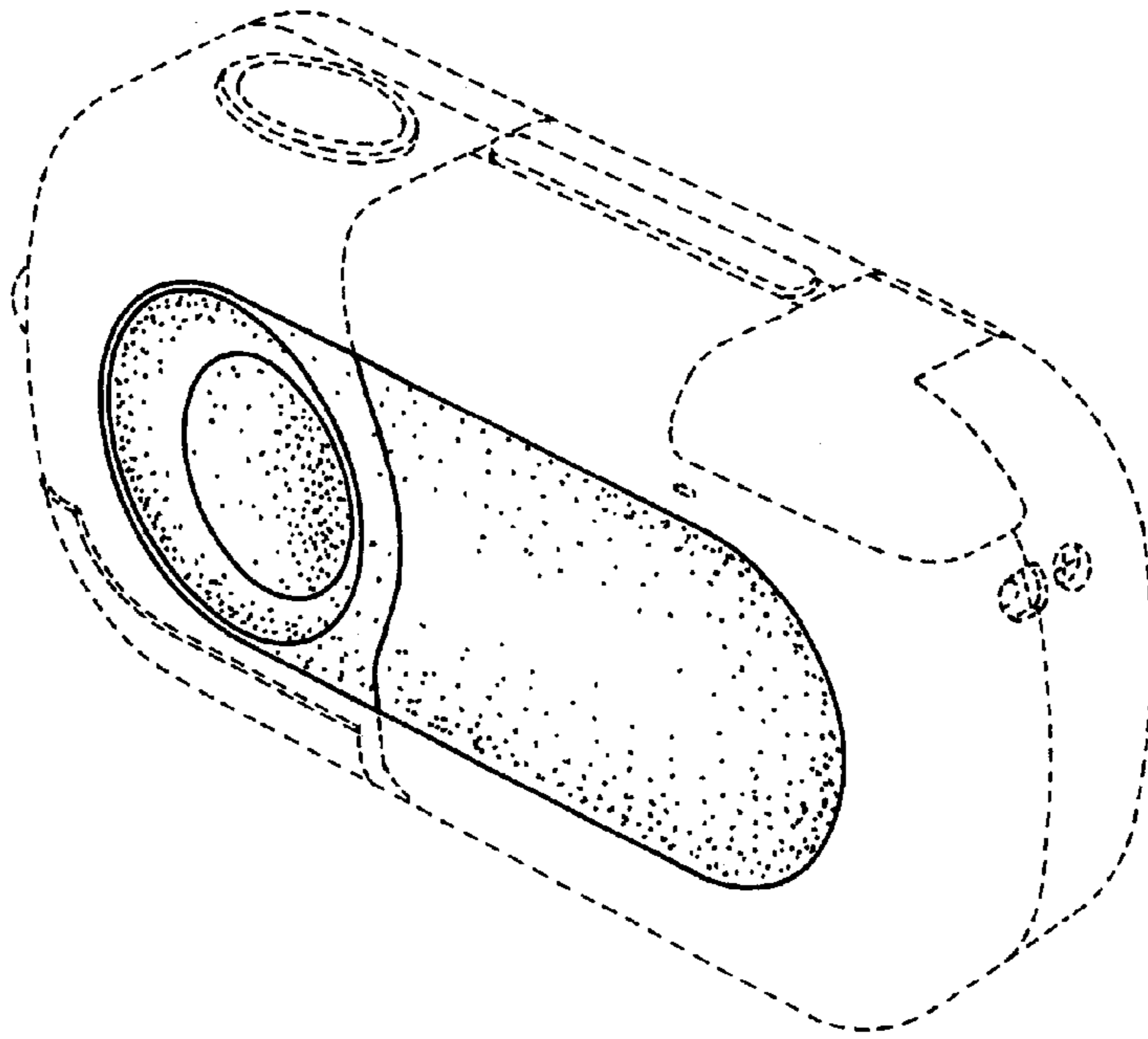


FIG. 2

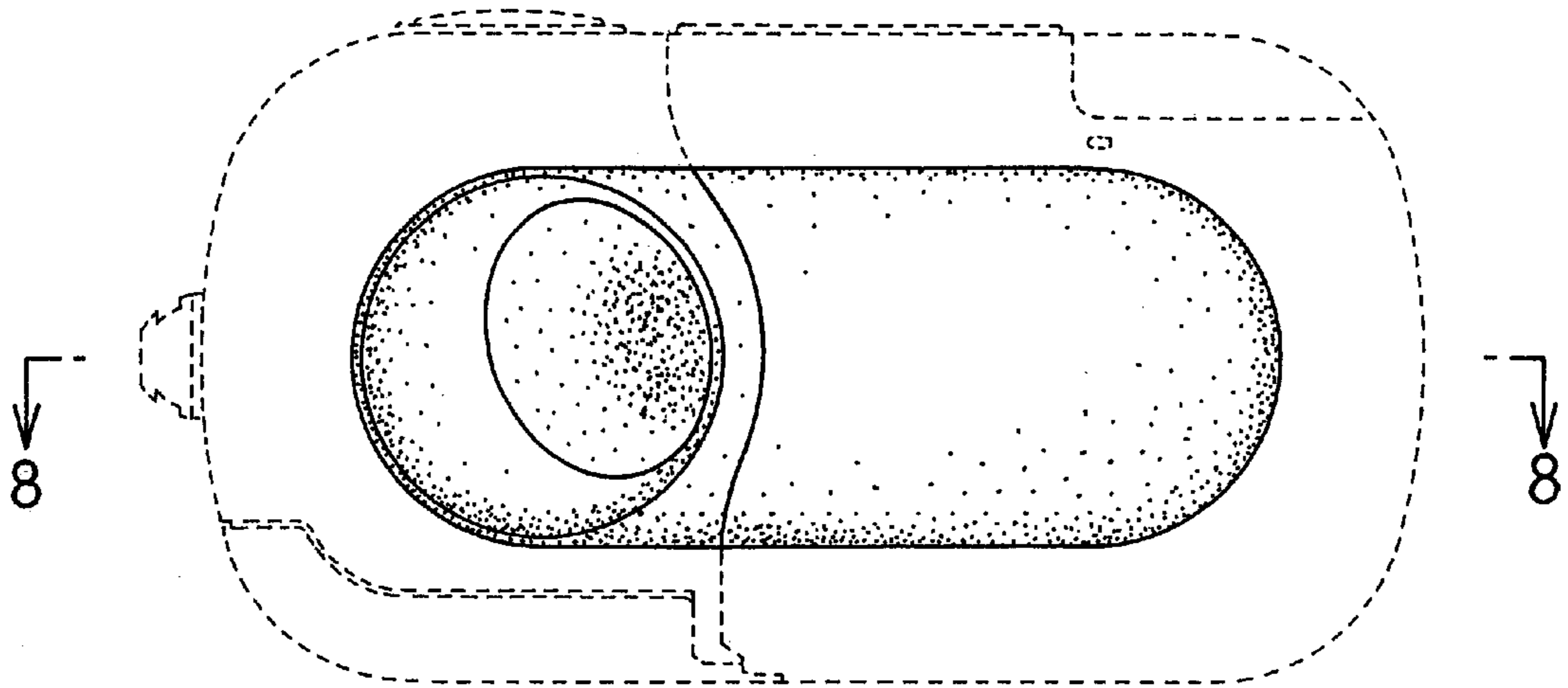


FIG. 3

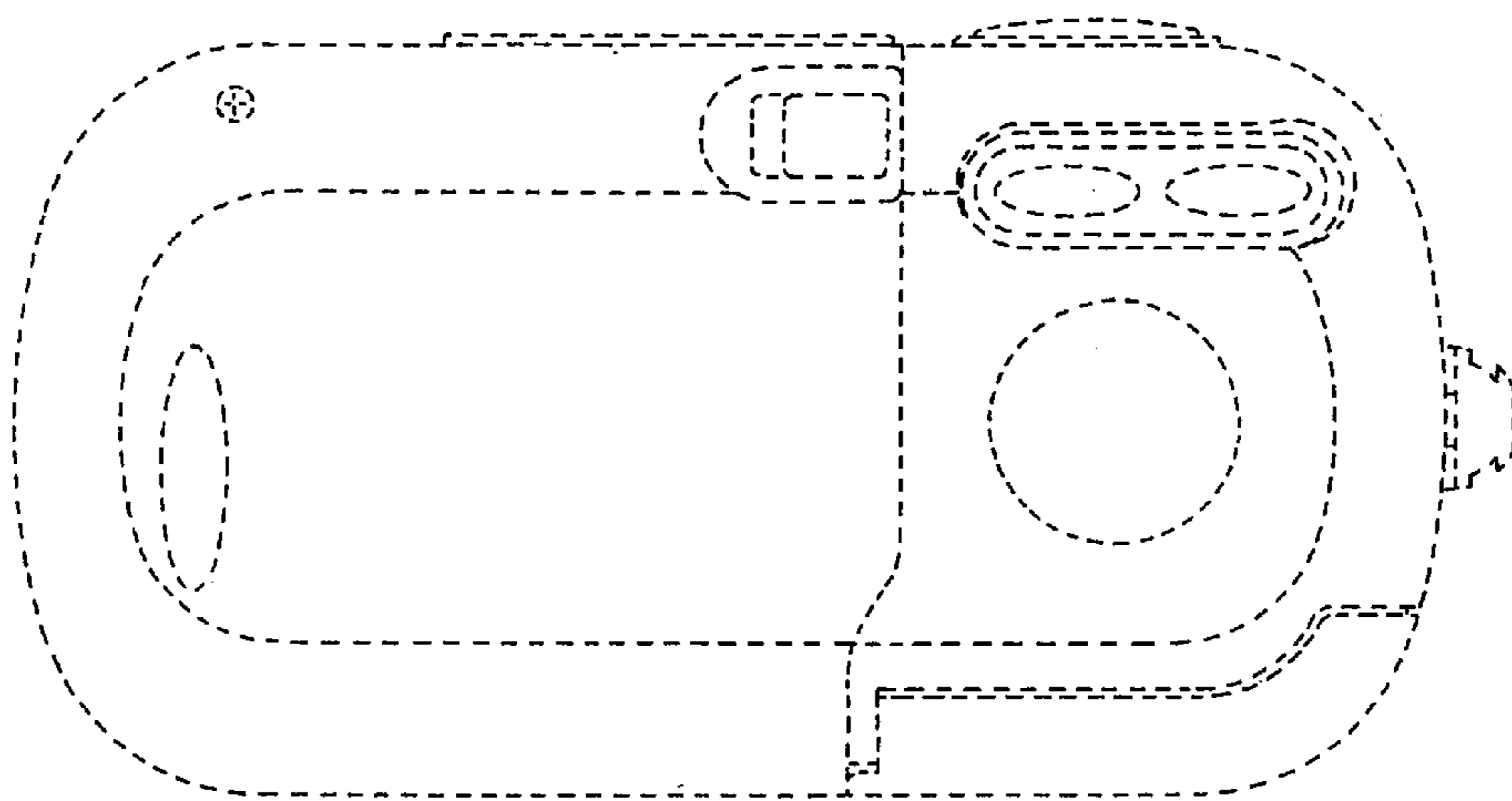


FIG. 4

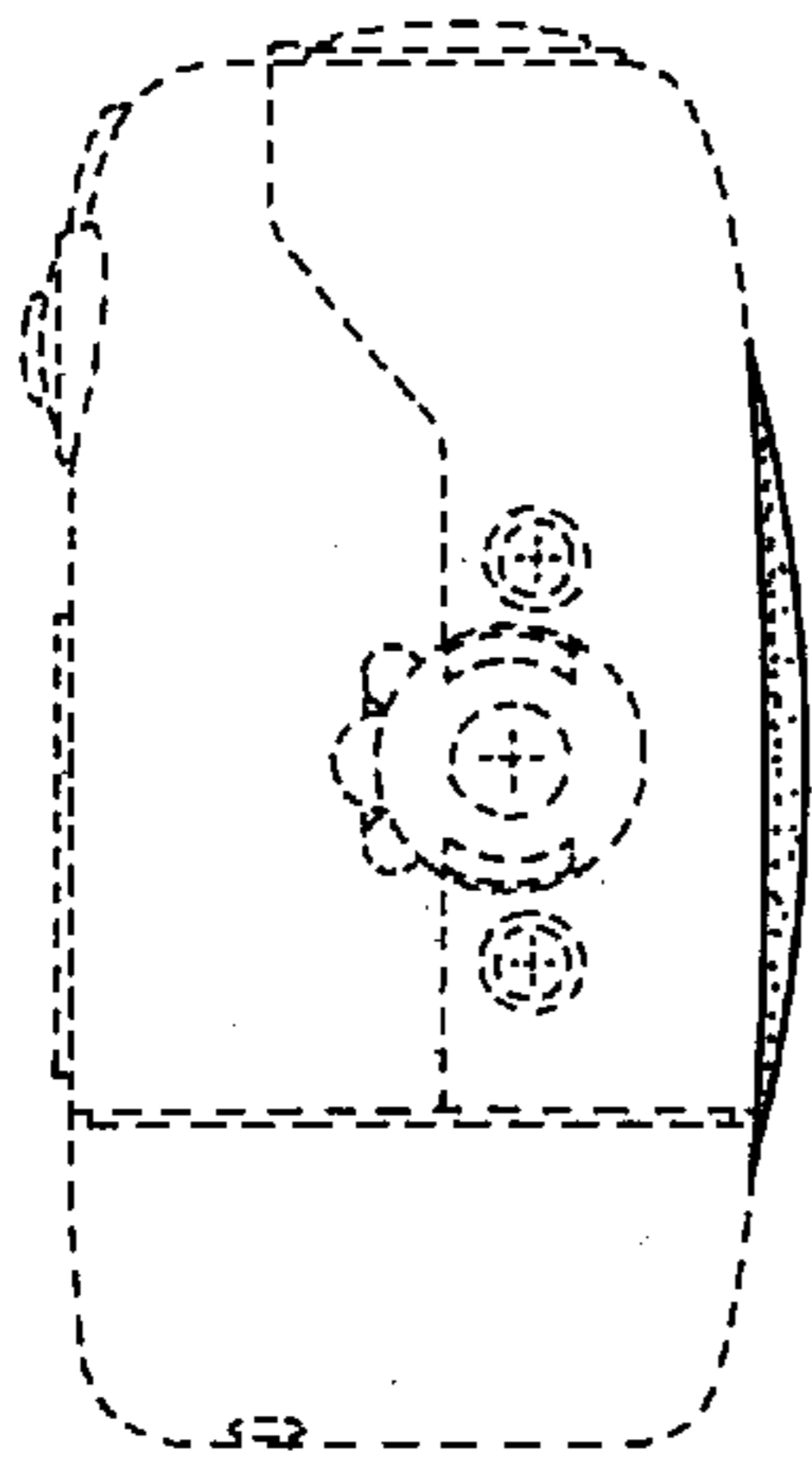


FIG. 5

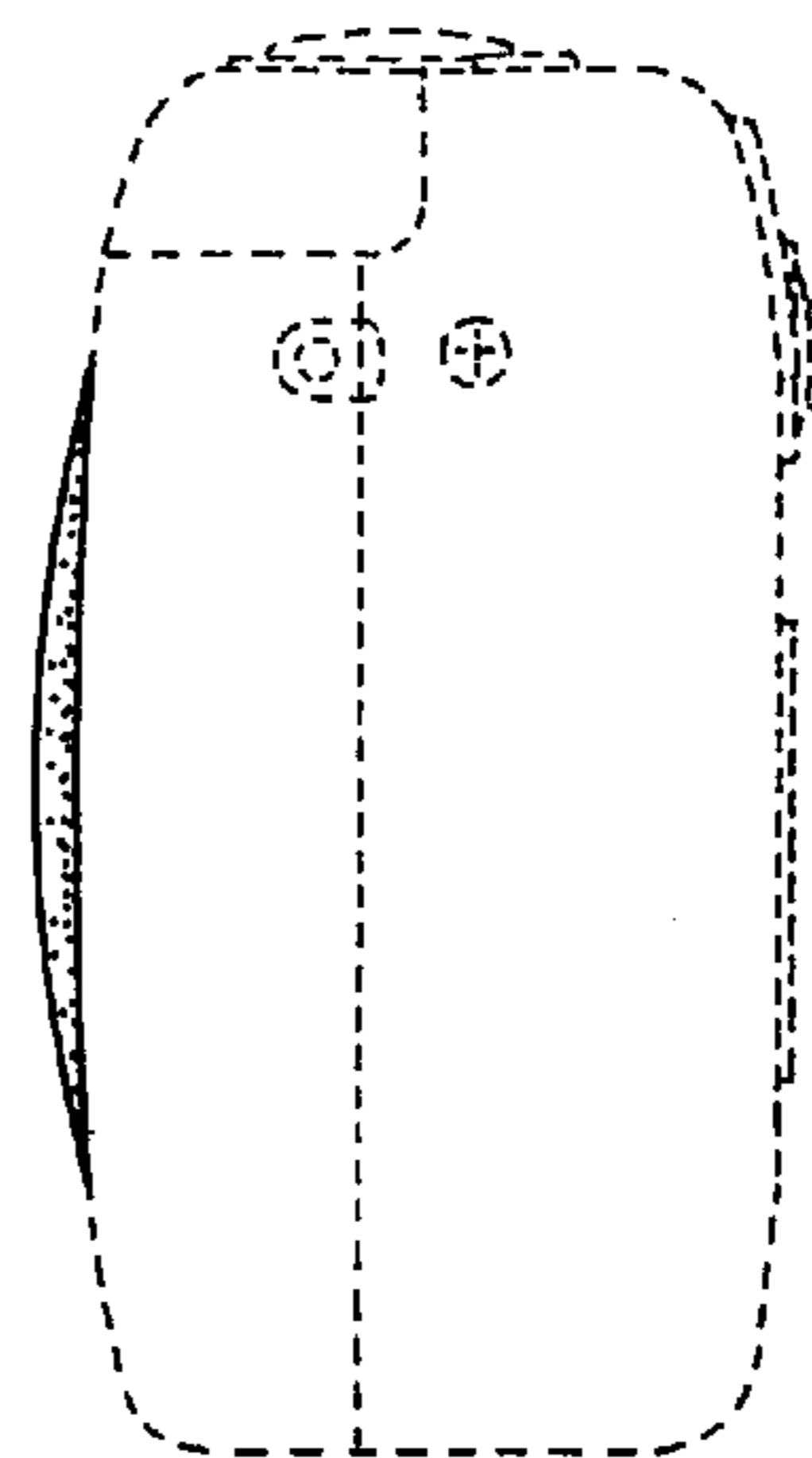


FIG. 6

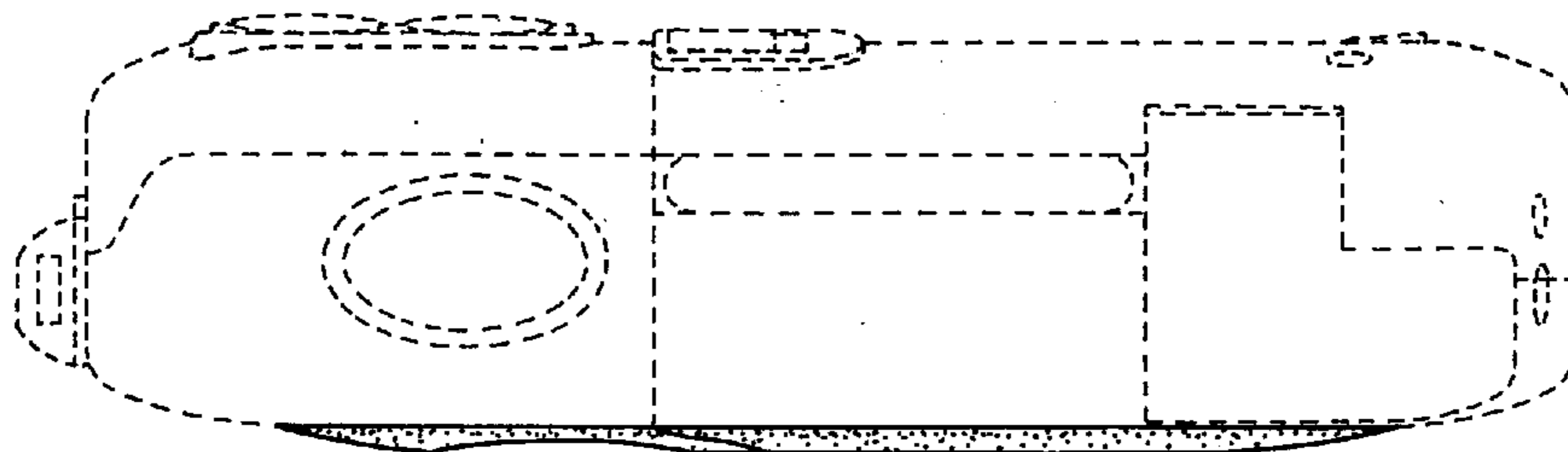


FIG. 7

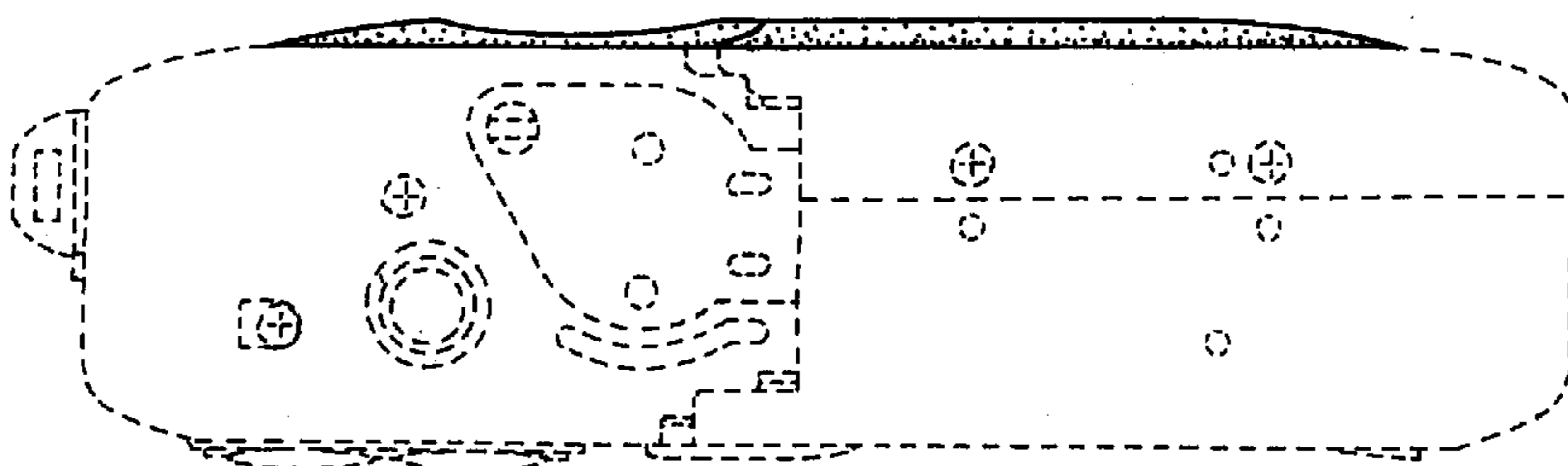


FIG. 8

