



US00D428037S

United States Patent [19]

Lee

[11] **Patent Number: Des. 428,037**

[45] **Date of Patent: ** Jul. 11, 2000**

[54] **CAMERA**

[76] **Inventor: Tser-Ching Lee, 58, Ma Yuan West St., Taichung, Taiwan**

[**] **Term: 14 Years**

[21] **Appl. No.: 29/112,945**

[22] **Filed: Oct. 27, 1999**

[51] **LOC (7) Cl. 16-01**

[52] **U.S. Cl. D16/218**

[58] **Field of Search D16/200-205, D16/208, 209, 211-213, 216-218; 348/373-376; 396/535-543; H04N 5/225**

[56] **References Cited**

U.S. PATENT DOCUMENTS

- D. 289,408 4/1987 Colani D16/217
- D. 322,618 12/1991 Inoue D16/218
- D. 327,286 6/1992 Fukutomi D16/202
- D. 415,510 10/1999 Maeyama D16/204

D. 415,513 10/1999 Fujii D16/217

FOREIGN PATENT DOCUMENTS

08032852 2/1996 Japan H04N 5/225

Primary Examiner—Adir Aronovich

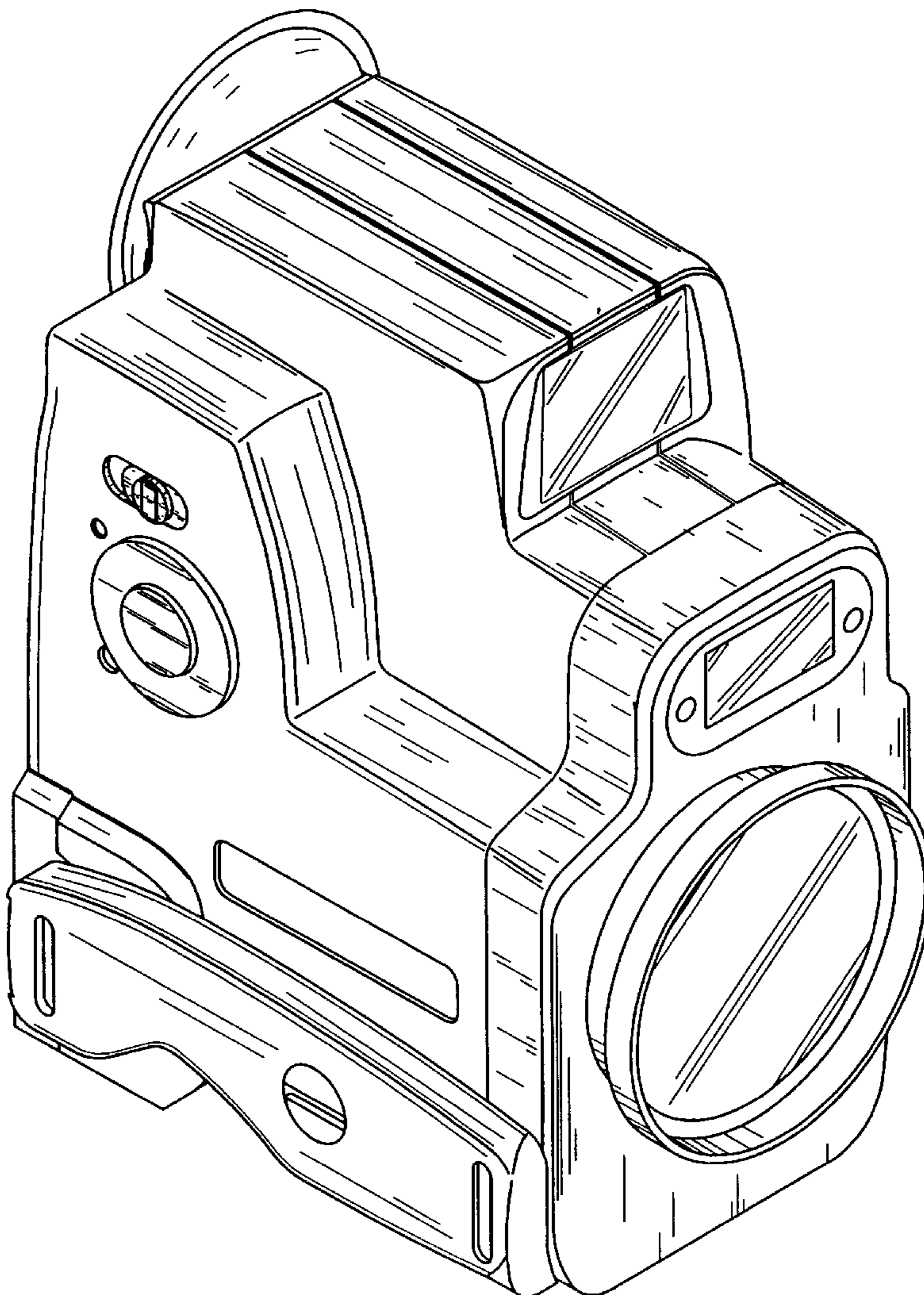
[57] **CLAIM**

The ornamental design for a camera, as shown and described.

DESCRIPTION

FIG. 1 is a perspective view of camera showing my new design;
 FIG. 2 is a front elevational view thereof;
 FIG. 3 is a rear elevational view thereof;
 FIG. 4 is a left side elevational view thereof;
 FIG. 5 is a right side elevational view thereof;
 FIG. 6 is a top plan view thereof; and,
 FIG. 7 is a bottom plan view thereof.

1 Claim, 7 Drawing Sheets



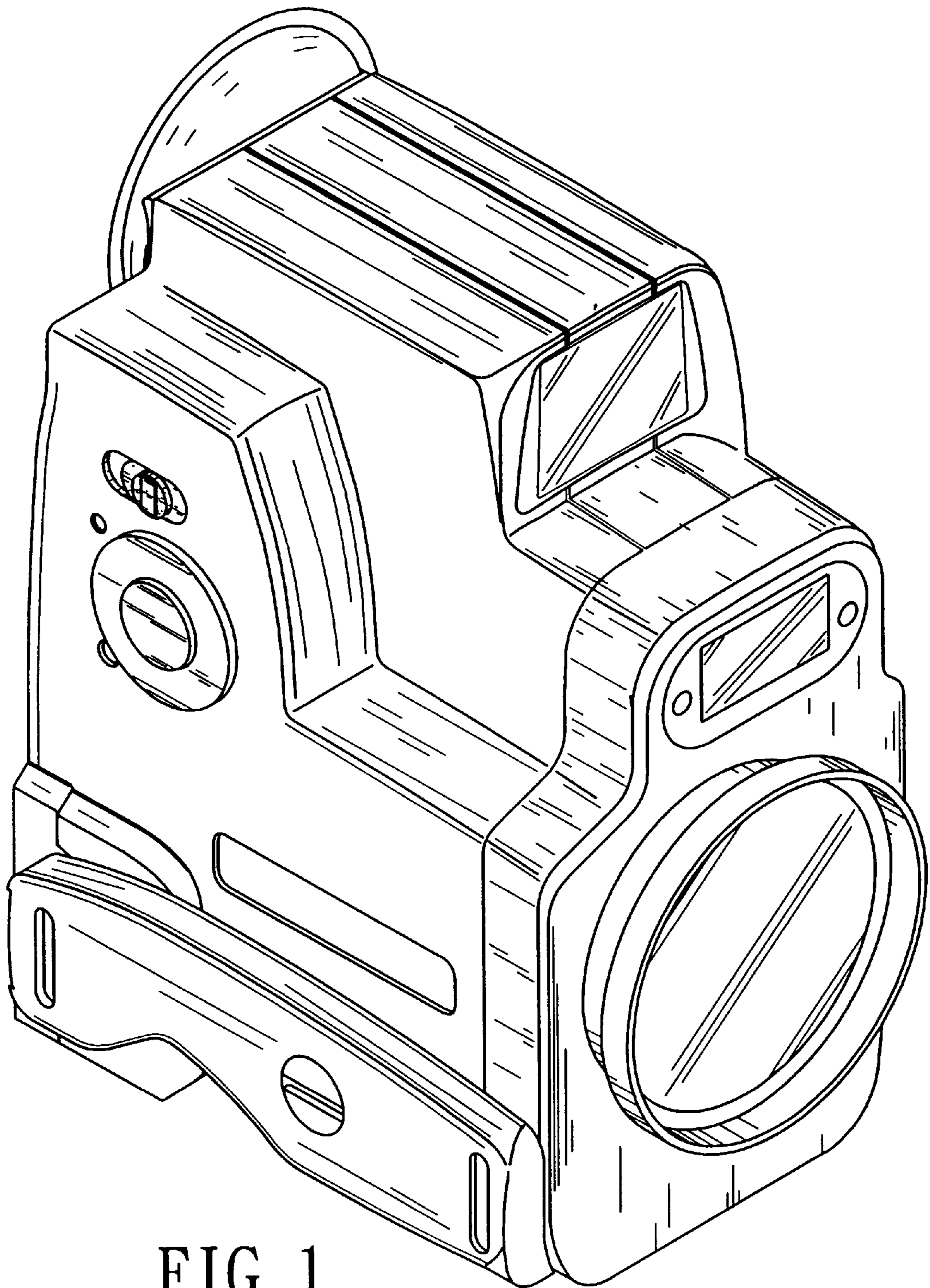


FIG. 1

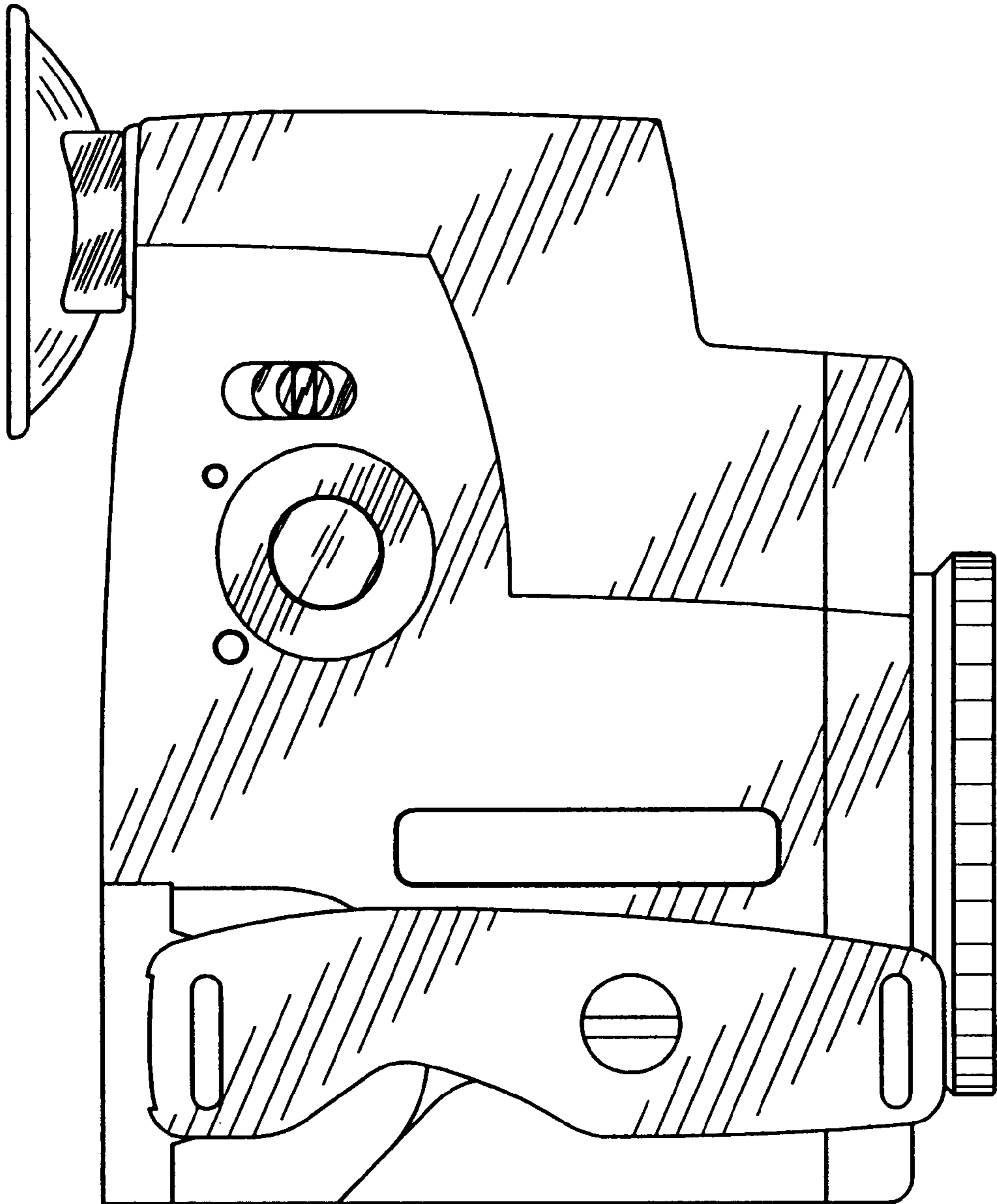


FIG. 2

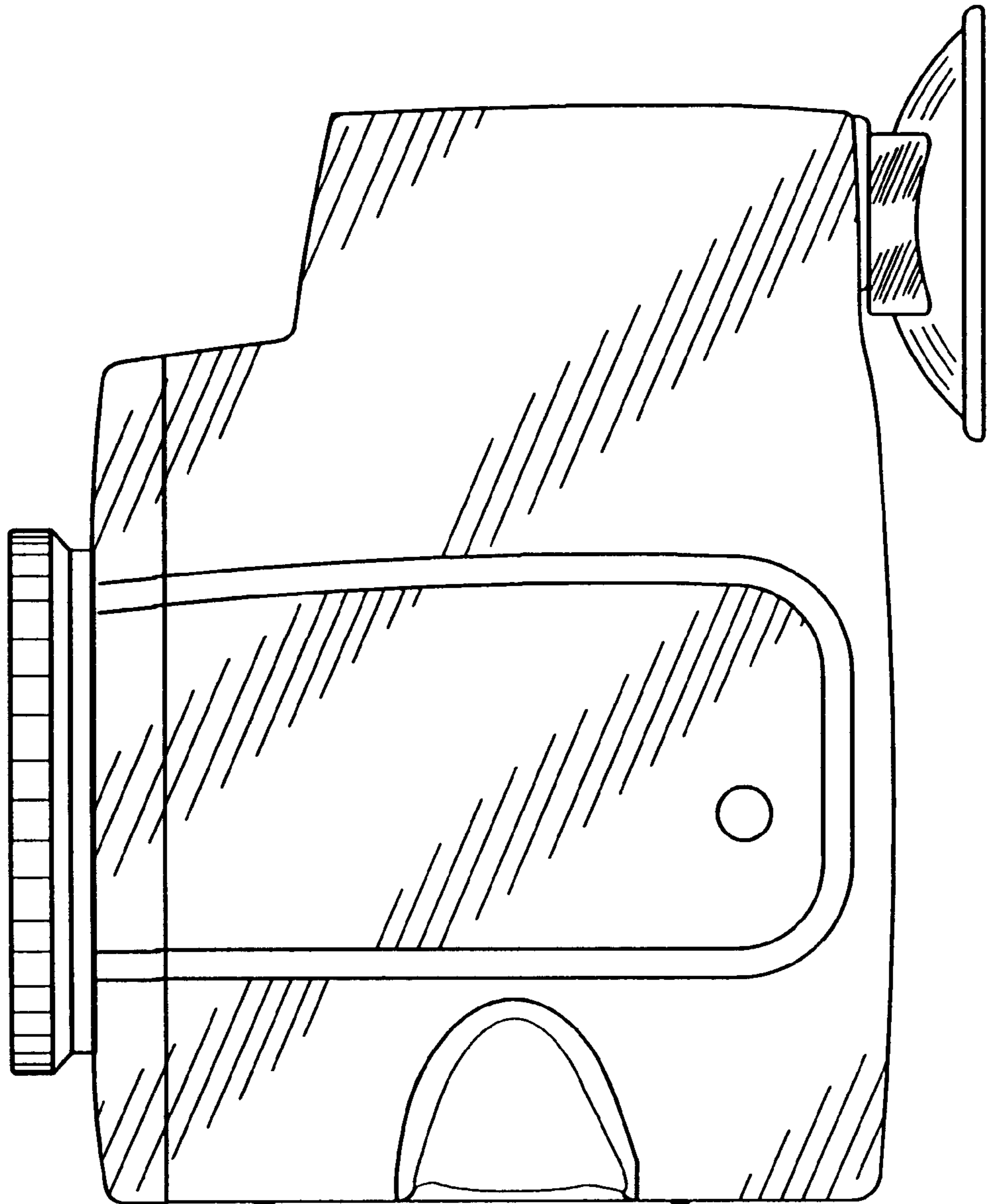


FIG. 3

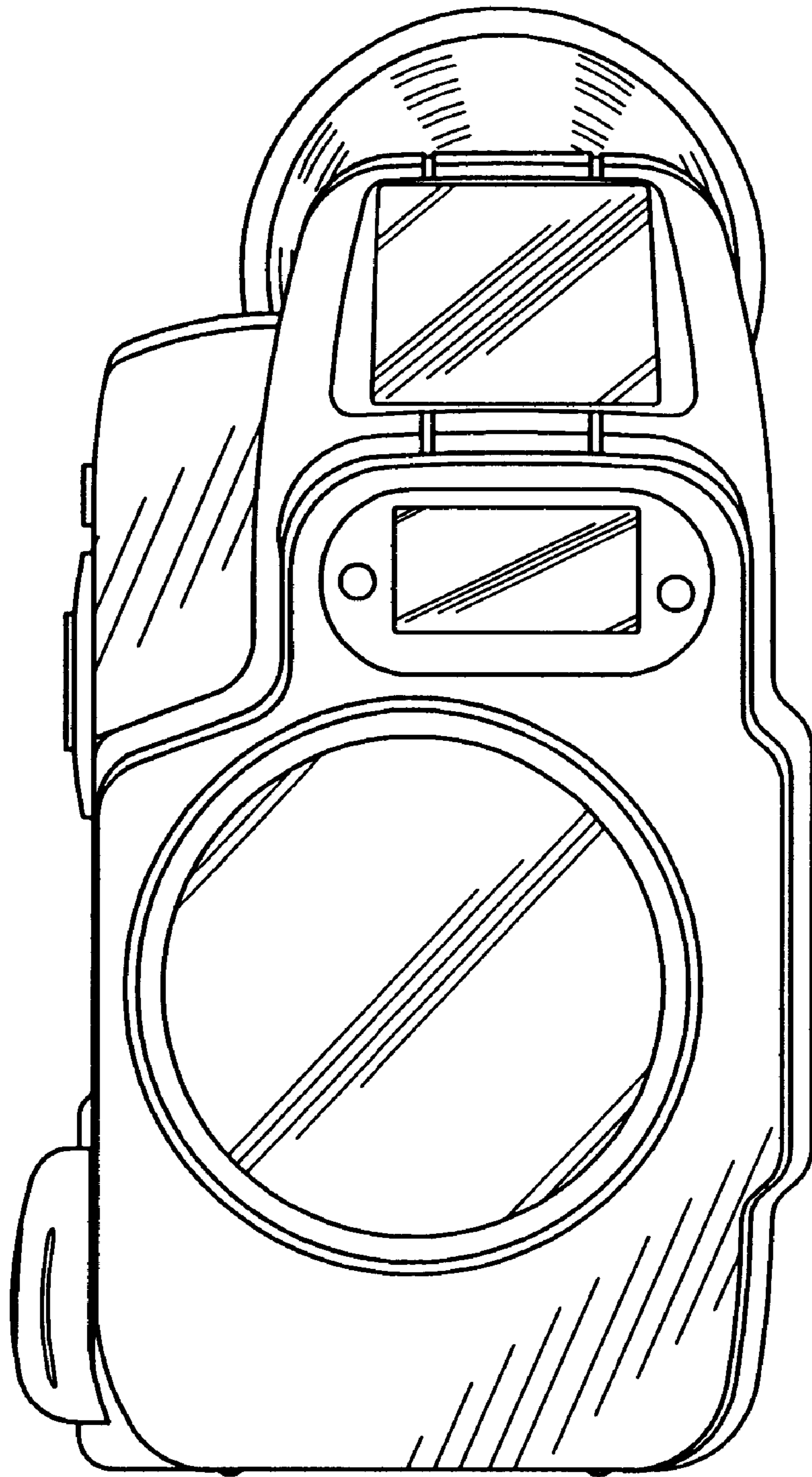


FIG. 4

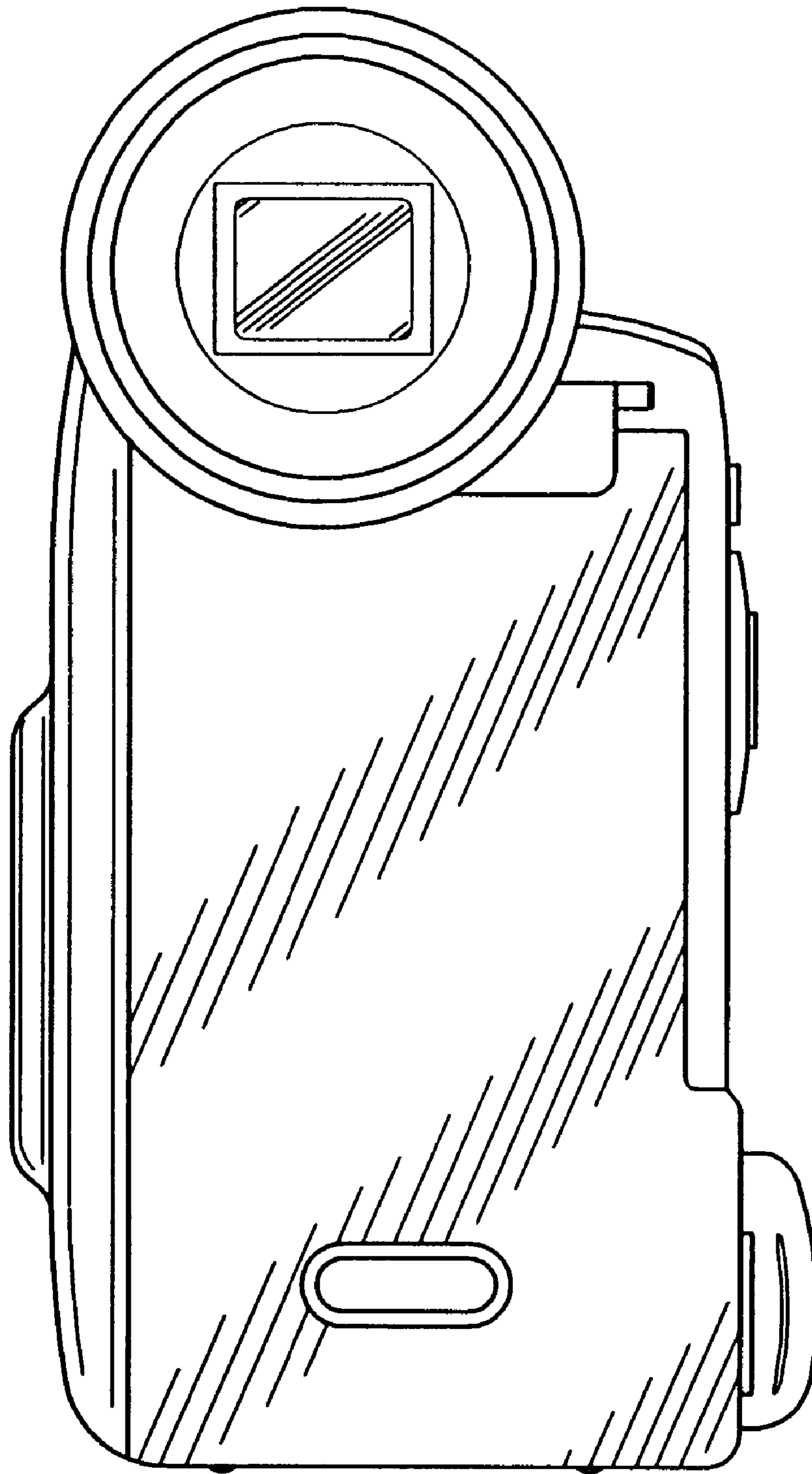


FIG. 5

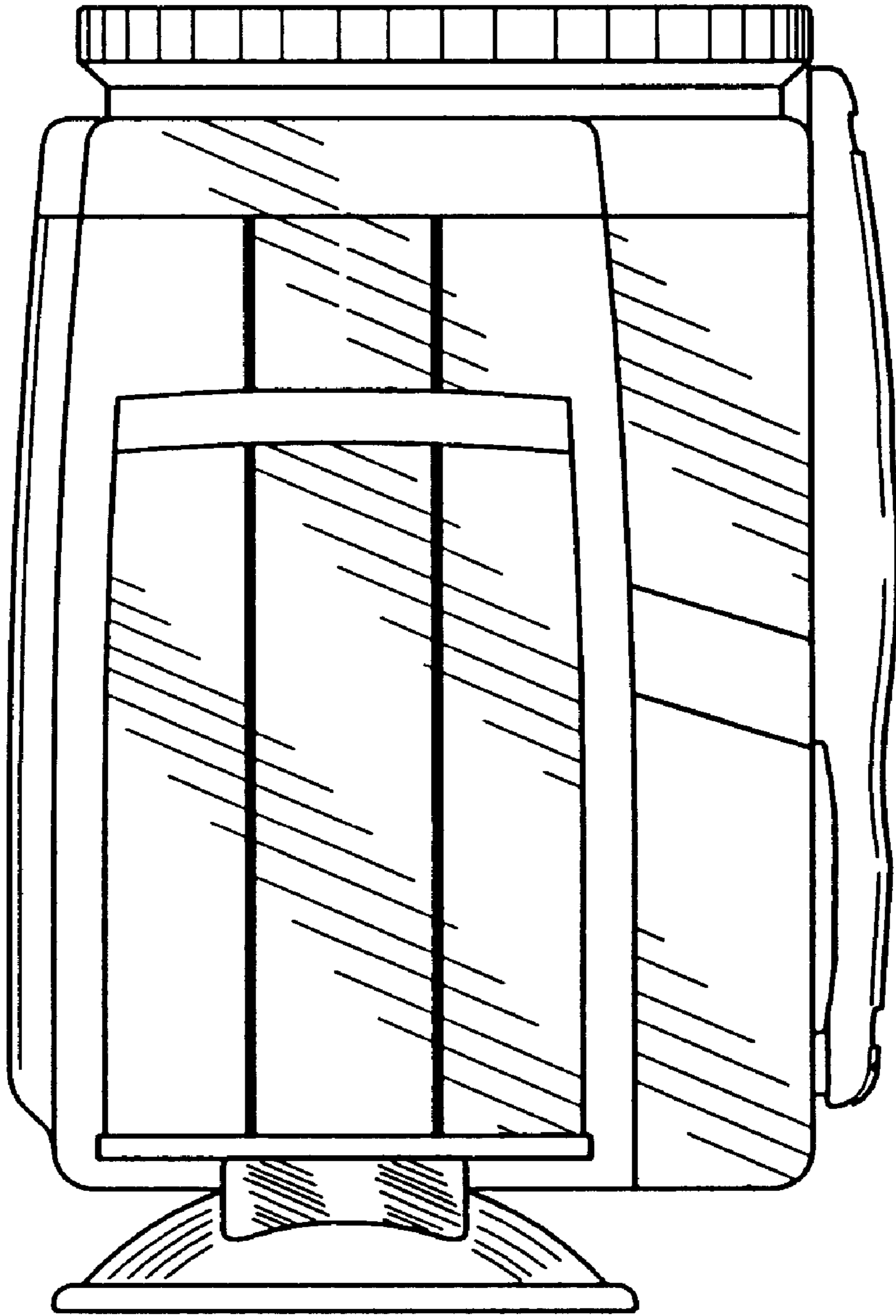


FIG. 6

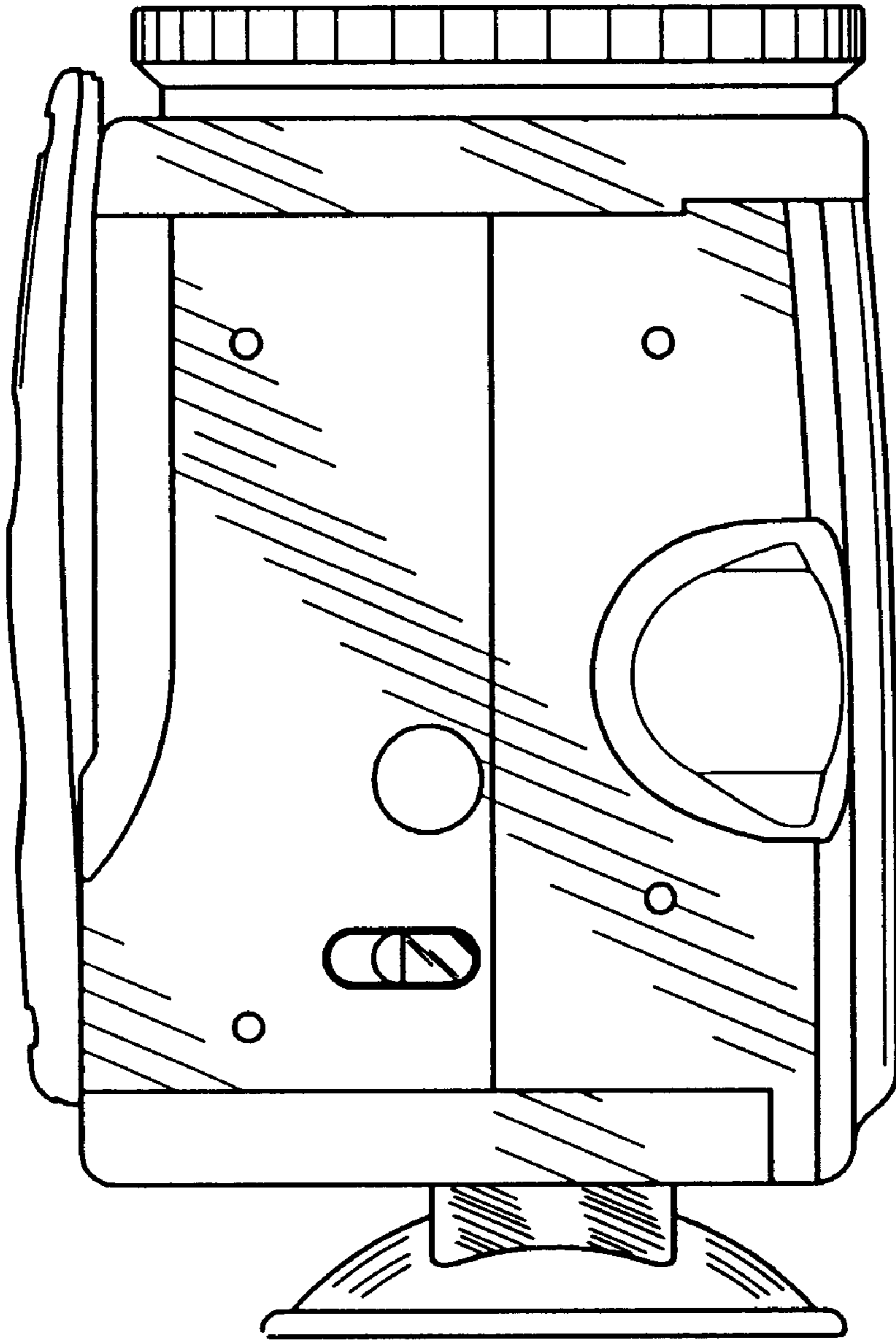


FIG. 7