



US00D428036S

United States Patent [19]

Yoshida et al.

[11] Patent Number: **Des. 428,036**

[45] Date of Patent: **** Jul. 11, 2000**

[54] CAMERA

[75] Inventors: **Hidefumi Yoshida; Masazumi Imai,**
both of Sakai; **Takahiro Kinoshita,**
Hirakata, all of Japan

[73] Assignee: **Minolta Co., Ltd.,** Osaka, Japan

[**] Term: **14 Years**

[21] Appl. No.: **29/107,362**

[22] Filed: **Jul. 7, 1999**

[30] **Foreign Application Priority Data**

Jan. 8, 1999 [JP] Japan 11-381

[51] **LOC (7) Cl.** **16-01**

[52] **U.S. Cl.** **D16/209**

[58] **Field of Search** D16/200, 202,
D16/208, 209, 217, 218, 219, 6, 448; 396/535-543

[56] **References Cited**

U.S. PATENT DOCUMENTS

- D. 257,983 1/1981 Maitani D16/209
- D. 320,610 10/1991 Chan D16/209
- D. 386,773 11/1997 Smithborne D16/209
- D. 389,849 1/1998 Kim D16/209

- D. 410,019 5/1999 Shimobayashi et al. D16/209
- 4,557,574 12/1985 Kohno et al. 396/448
- 5,649,235 7/1997 Ando et al. 396/6

OTHER PUBLICATIONS

'97 Japan Camera Show catalog, vol. 113, 1997, p. 95.

Primary Examiner—Adir Aronovich
Attorney, Agent, or Firm—Burns, Doane, Swecker & Mathis, LLP

[57] **CLAIM**

The ornamental design for a camera, as shown and described.

DESCRIPTION

FIG. 1 is a front perspective view of camera;
FIG. 2 is a rear perspective view thereof;
FIG. 3 is a front view thereof;
FIG. 4 is a rear view thereof;
FIG. 5 is a top view thereof;
FIG. 6 is a bottom view thereof;
FIG. 7 is a left side view thereof;
FIG. 8 is a right side view thereof; and,
FIG. 9 is a perspective view showing use thereof.

1 Claim, 4 Drawing Sheets

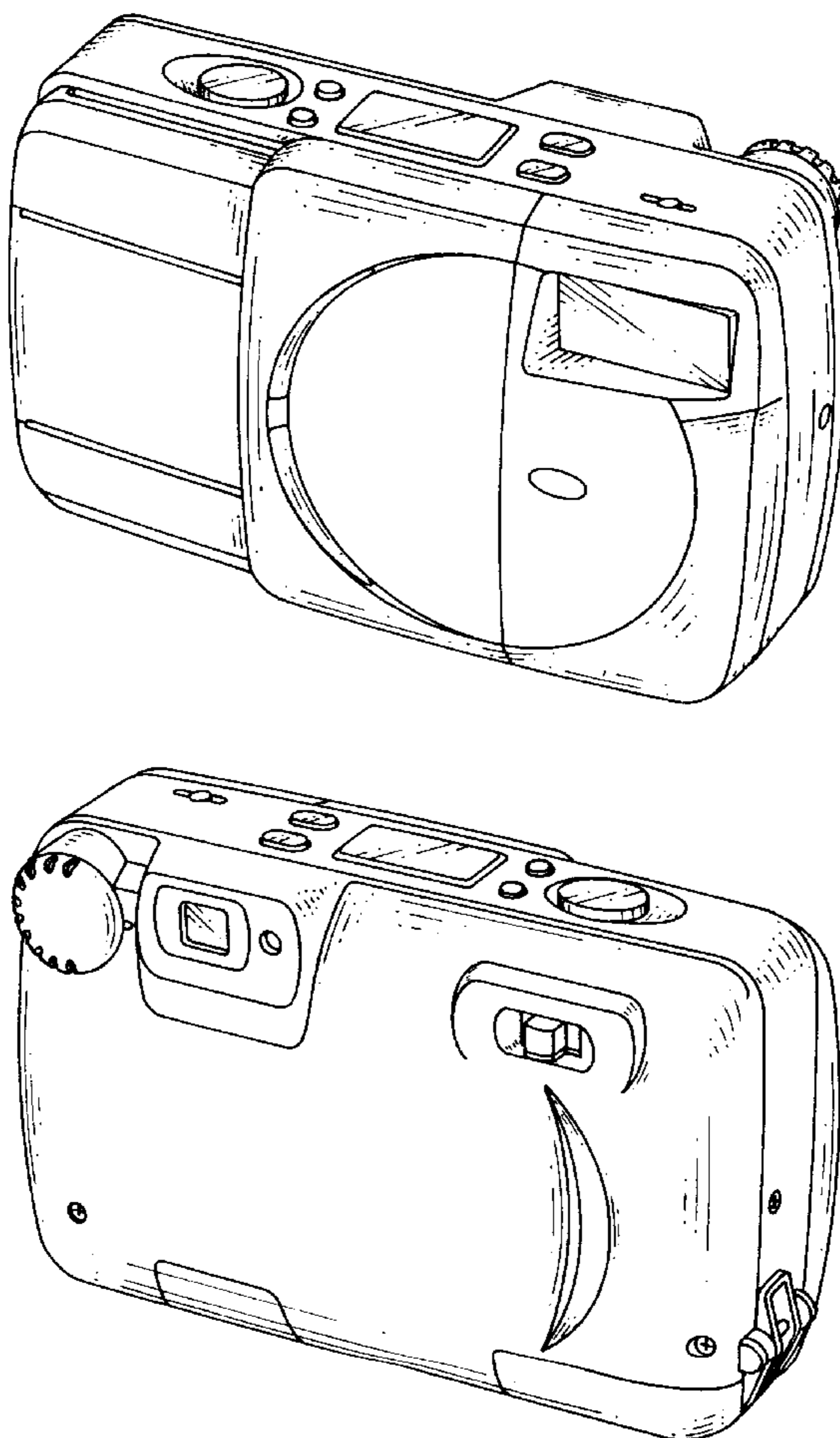


FIG. 1

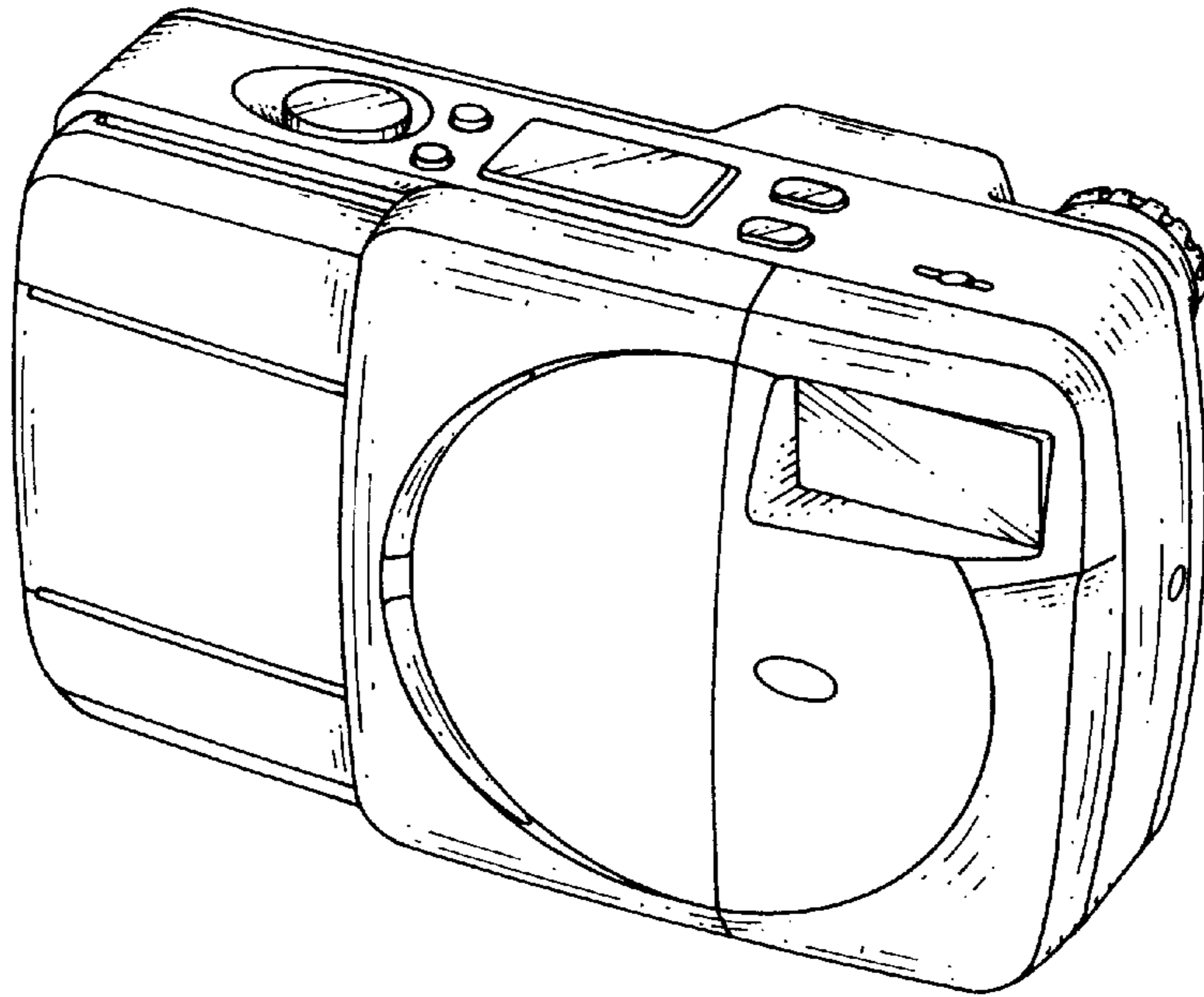


FIG. 2

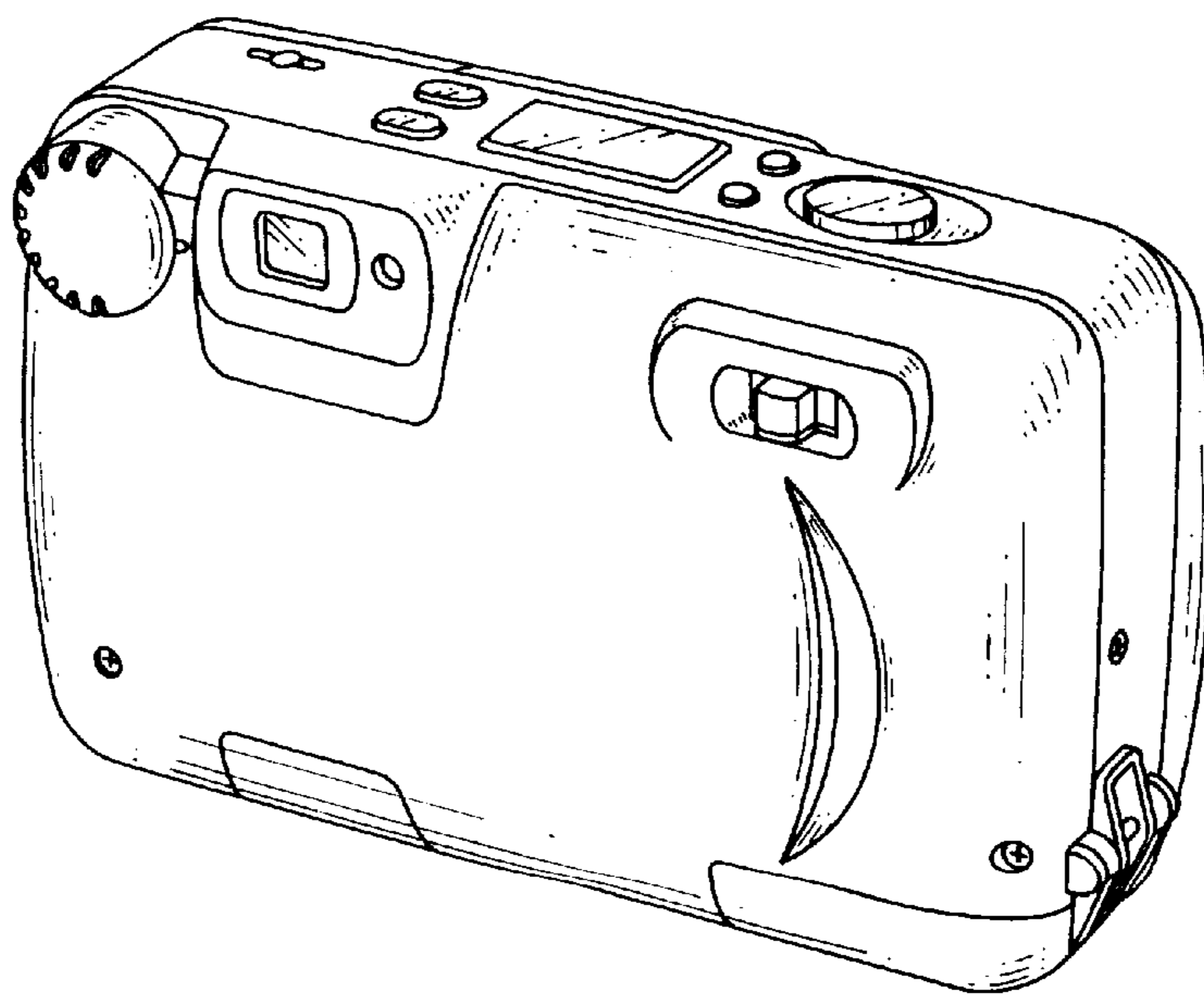


FIG. 3

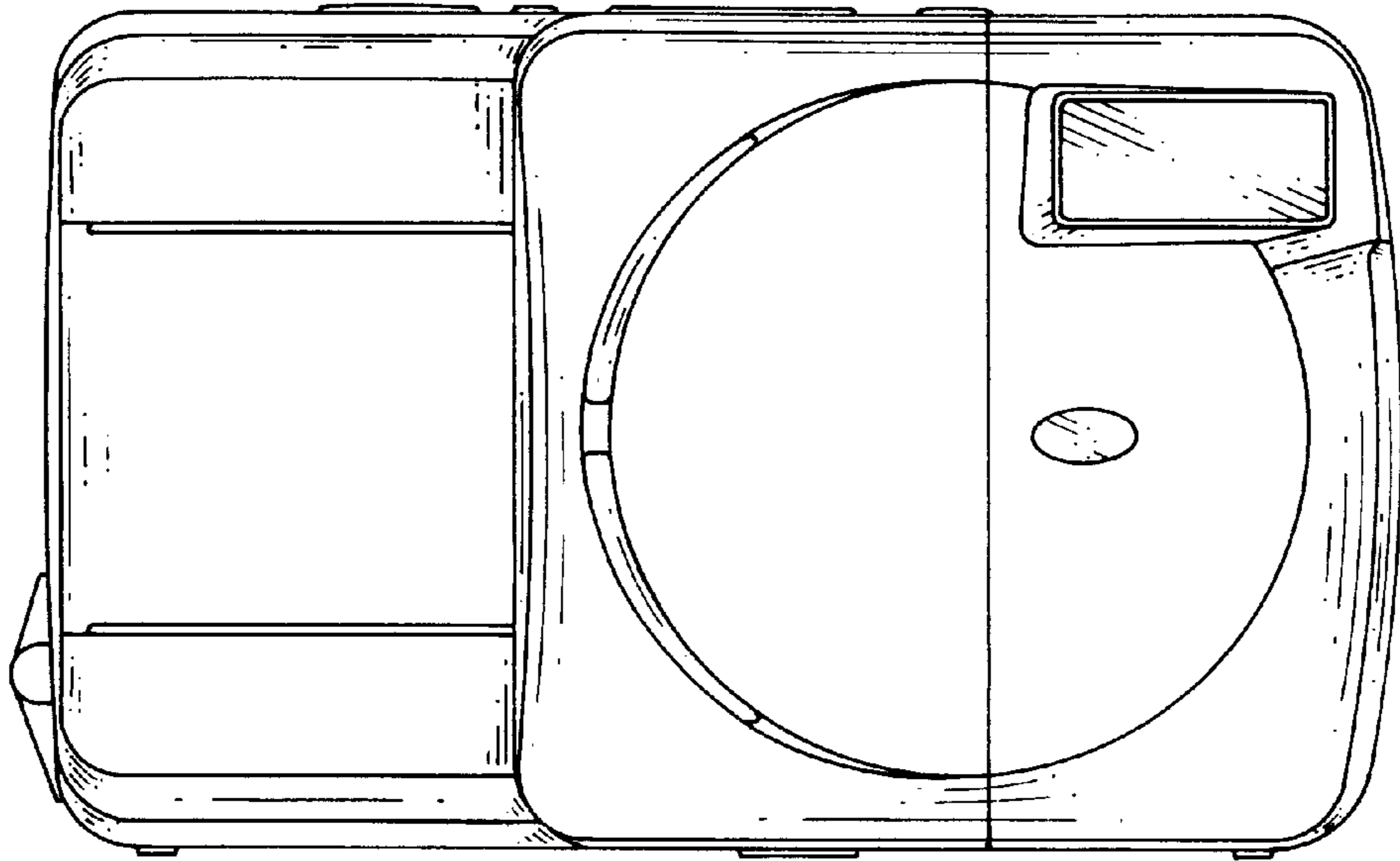


FIG. 4

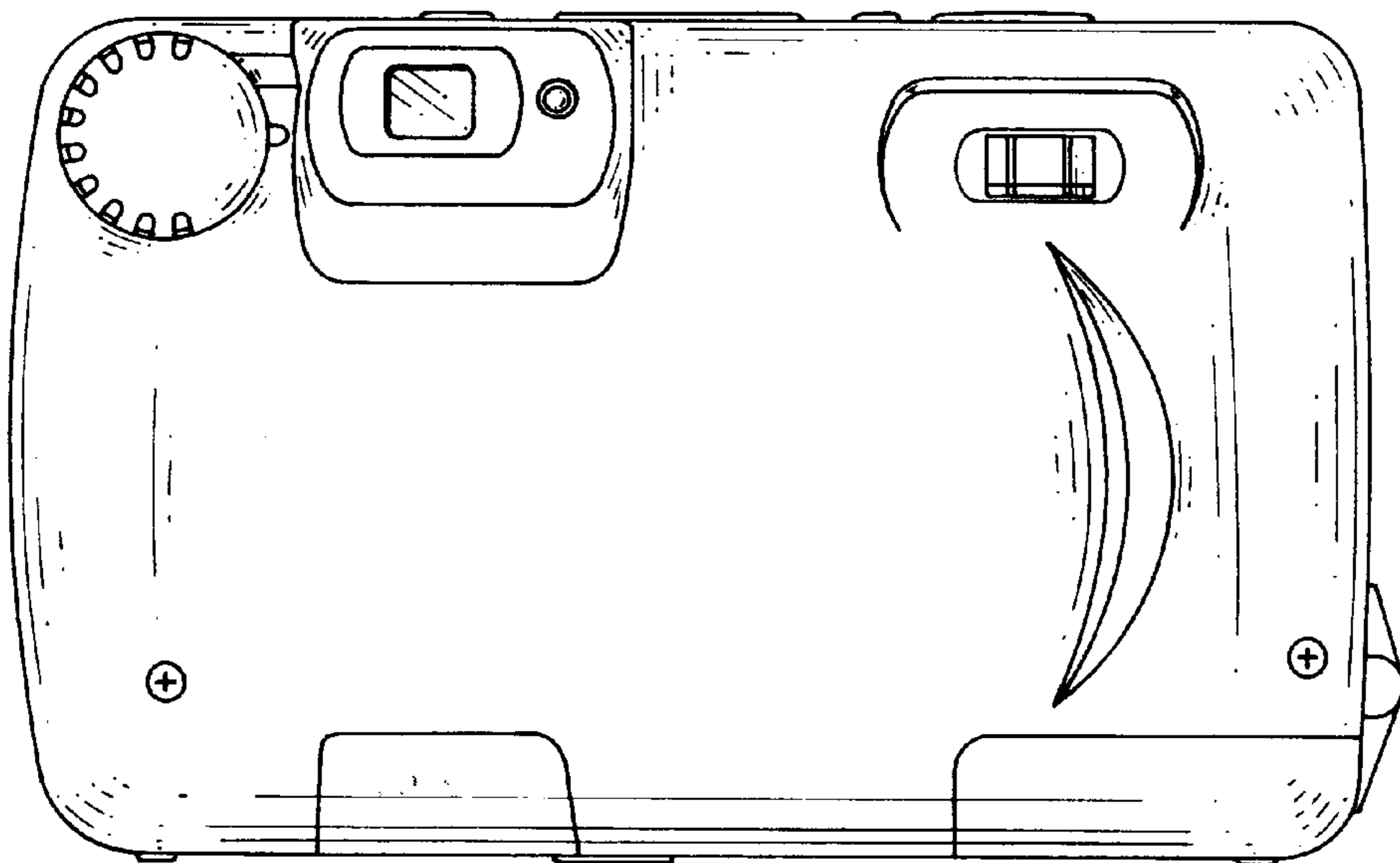


FIG. 5

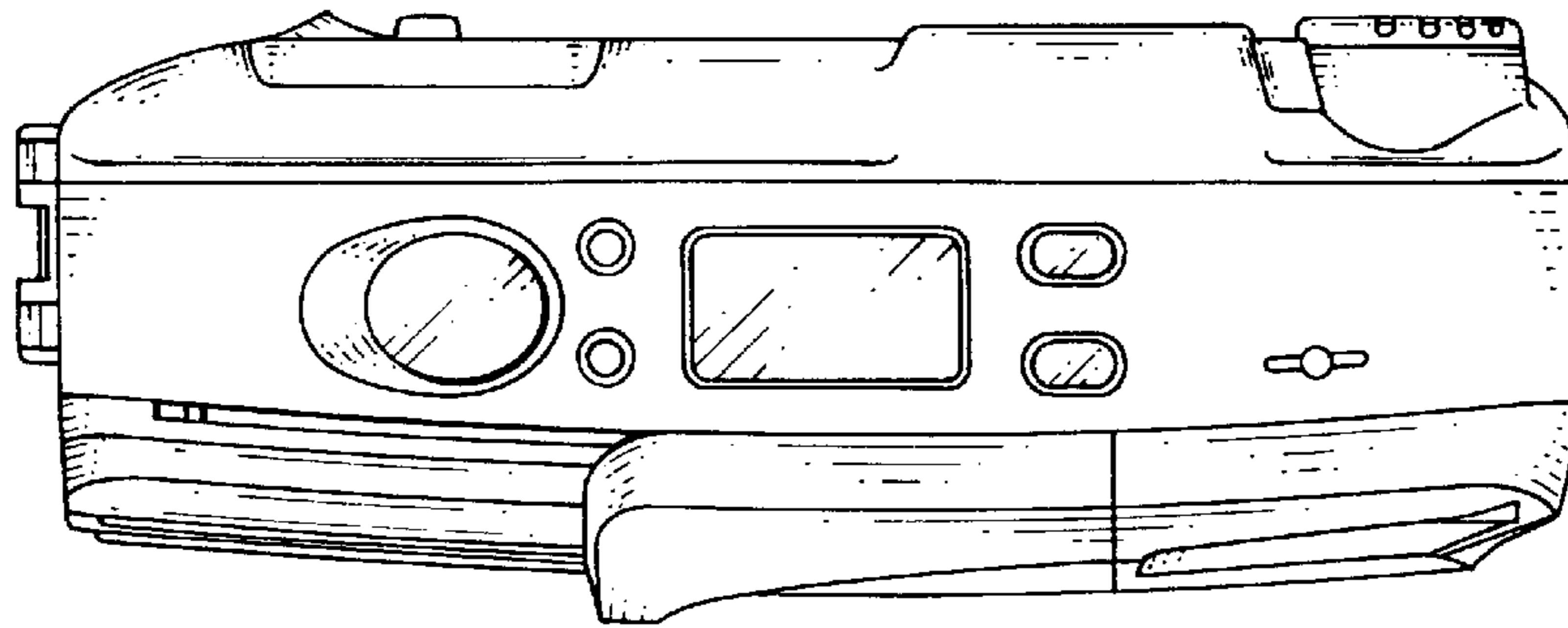


FIG. 6

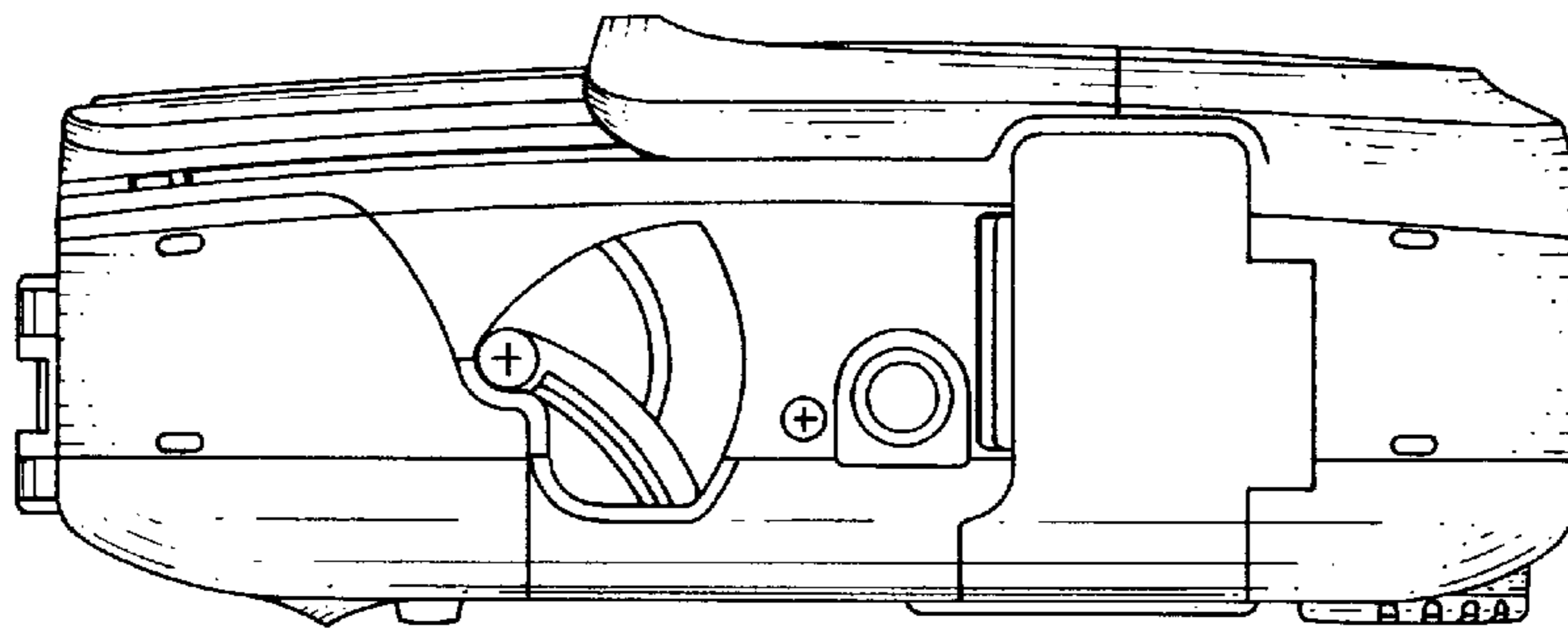


FIG. 7

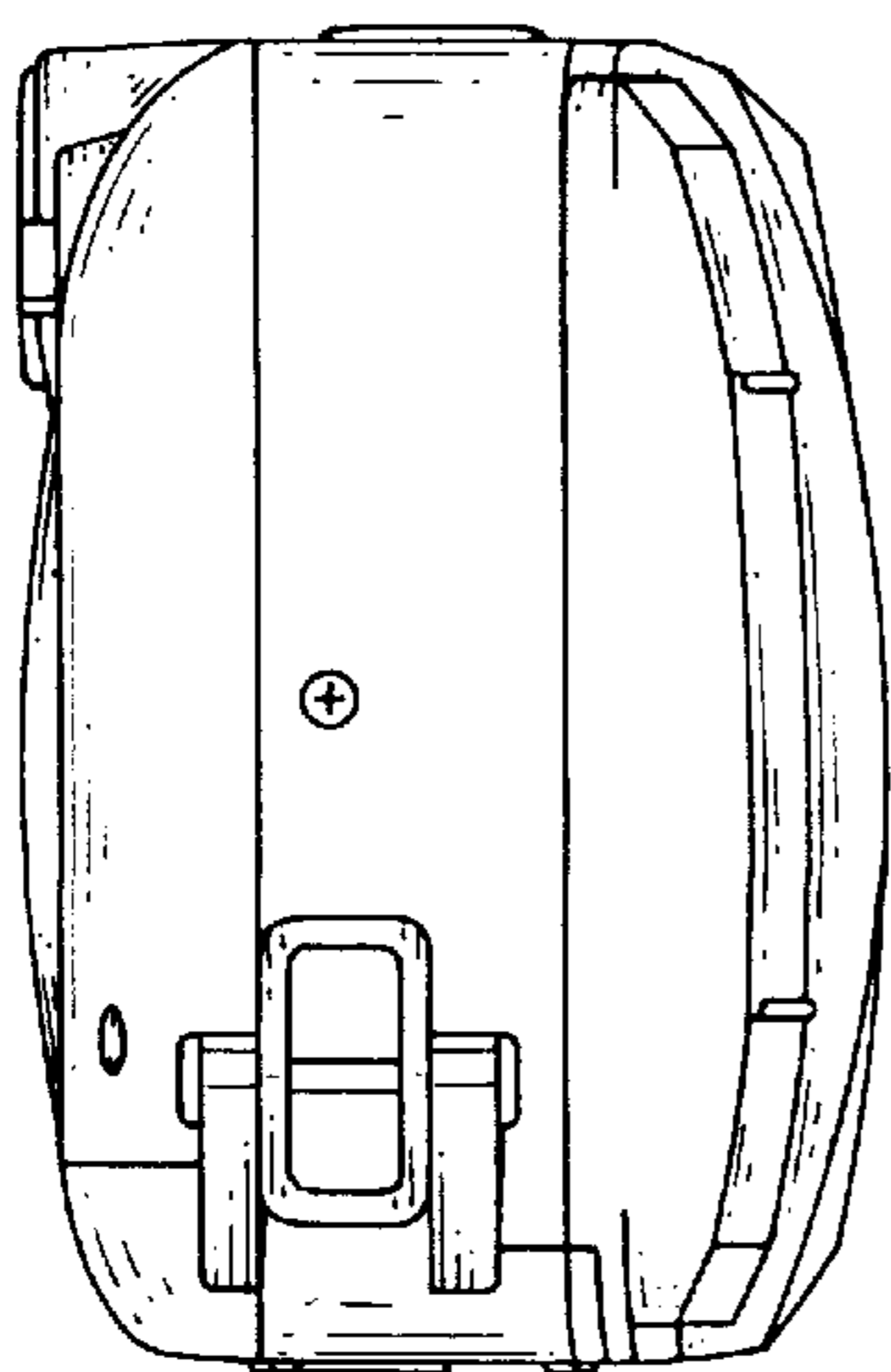


FIG. 8

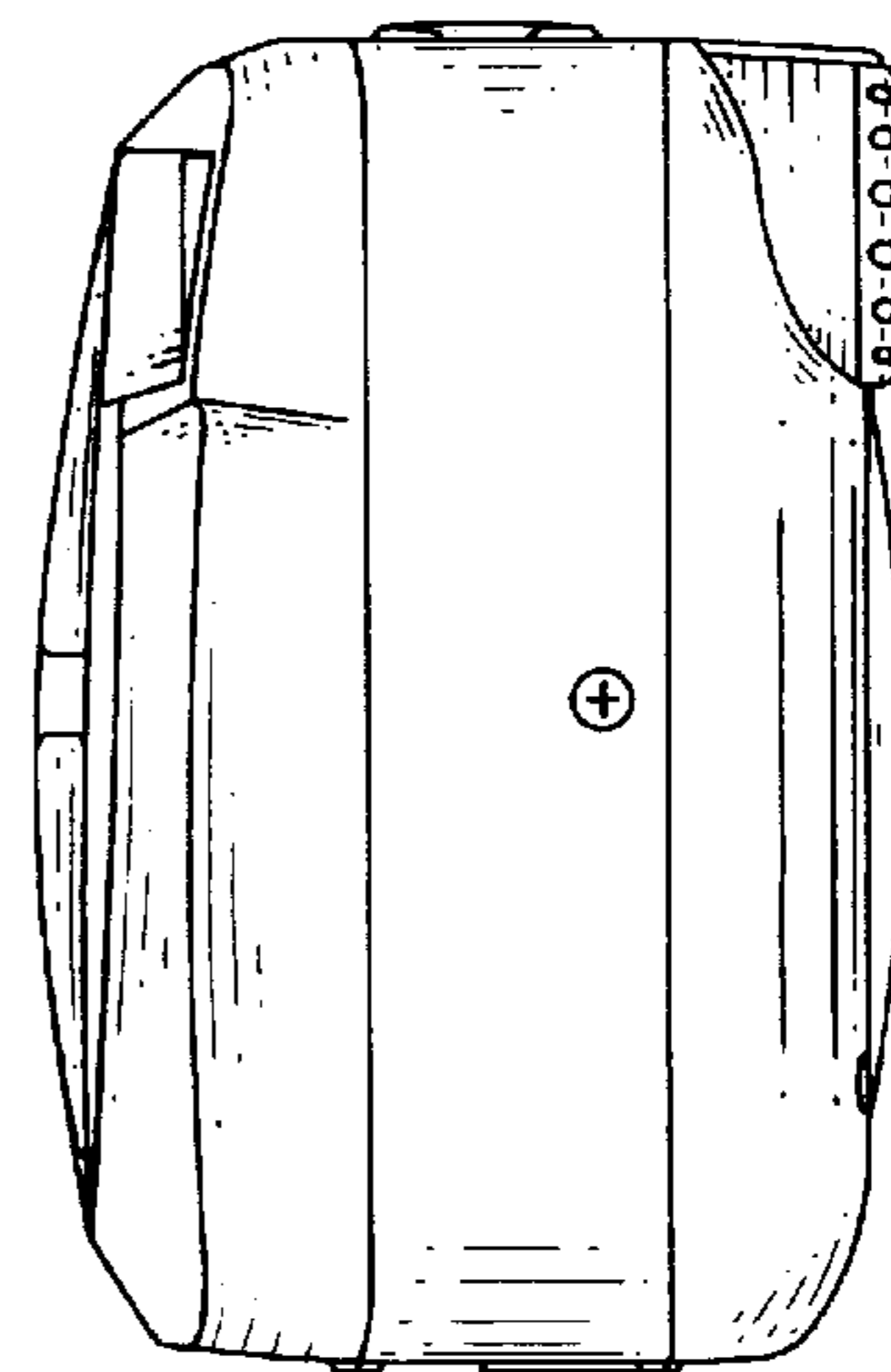


FIG. 9

