



US00D428033S

United States Patent [19]

[11] Patent Number: Des. 428,033

Saeki et al.

[45] Date of Patent: ** Jul. 11, 2000

[54] **COMBINED MONITOR SCREEN, VIDEO TAPE RECORDER AND VIDEO CAMERA**

[75] Inventors: **Taisuke Saeki; Hiroshi Ohi; Masaki Iinuma**, all of Tochigi-ken, Japan

[73] Assignee: **Sharp Kabushiki Kaisha**, Osaka, Japan

[**] Term: **14 Years**

[21] Appl. No.: **29/089,799**

[22] Filed: **Jun. 23, 1998**

[30] **Foreign Application Priority Data**

Dec. 26, 1997 [JP] Japan 9-80137

[51] **LOC (7) Cl.** **16-01**

[52] **U.S. Cl.** **D16/202**

[58] **Field of Search** D16/200-206; 348/373-376; 352/242, 243; 358/906; 396/535-540

[56] **References Cited**

U.S. PATENT DOCUMENTS

D. 341,368	11/1993	Ooi et al.	D16/202
D. 341,369	11/1993	Sakata	D16/202
D. 347,235	5/1994	Ooi et al.	D16/202
D. 347,236	5/1994	Ooi et al.	D16/202
D. 351,157	10/1994	Usami et al.	D14/129
D. 352,728	11/1994	Kurokawa et al.	D16/202
D. 352,729	11/1994	Tsujimura et al.	D16/202
D. 356,097	3/1995	Sakata et al.	D16/202
D. 356,806	3/1995	Kim	D16/202
D. 365,116	12/1995	Ohi et al.	D16/202
D. 365,587	12/1995	Saeki et al.	D16/234
D. 366,269	1/1996	Ohi et al.	D16/202
D. 366,492	1/1996	Kume et al.	D16/202

D. 366,658	1/1996	Fukutome	D14/168
D. 372,255	7/1996	Nakamura	D16/202
D. 380,226	6/1997	Ohi et al.	D16/202
D. 386,507	11/1997	Ohi et al.	D16/202
D. 392,298	3/1998	Ohi et al.	D16/202
D. 398,318	9/1998	Oh	D16/202
D. 408,427	4/1999	Saeki et al.	D16/202
4,772,902	9/1988	Inoue et al.	348/373

OTHER PUBLICATIONS

Japanese Patent No. 976916, Mar. 1997.

Primary Examiner—Adir Aronovich
Attorney, Agent, or Firm—Nixon & Vanderhye

[57] **CLAIM**

The ornamental design for a combined monitor screen, video tape recorder and video camera, as shown and described.

DESCRIPTION

FIG. 1 is a top, front and right side perspective view of a combined monitor screen, video tape recorder and video camera according to our design; FIG. 2 is a top, rear and left side perspective view thereof; FIG. 3 is a front elevational view thereof; FIG. 4 is a rear elevational view thereof; FIG. 5 is a top plan view thereof; FIG. 6 is a bottom plan view thereof; FIG. 7 is a right side elevational view thereof; FIG. 8 is a left side elevational view thereof; FIG. 9 is a perspective view similar to FIG. 1 with the monitor screen illustrated in an open position; and, FIG. 10 is a perspective view similar to FIG. 9 with the view finder in an upright position.

1 Claim, 7 Drawing Sheets

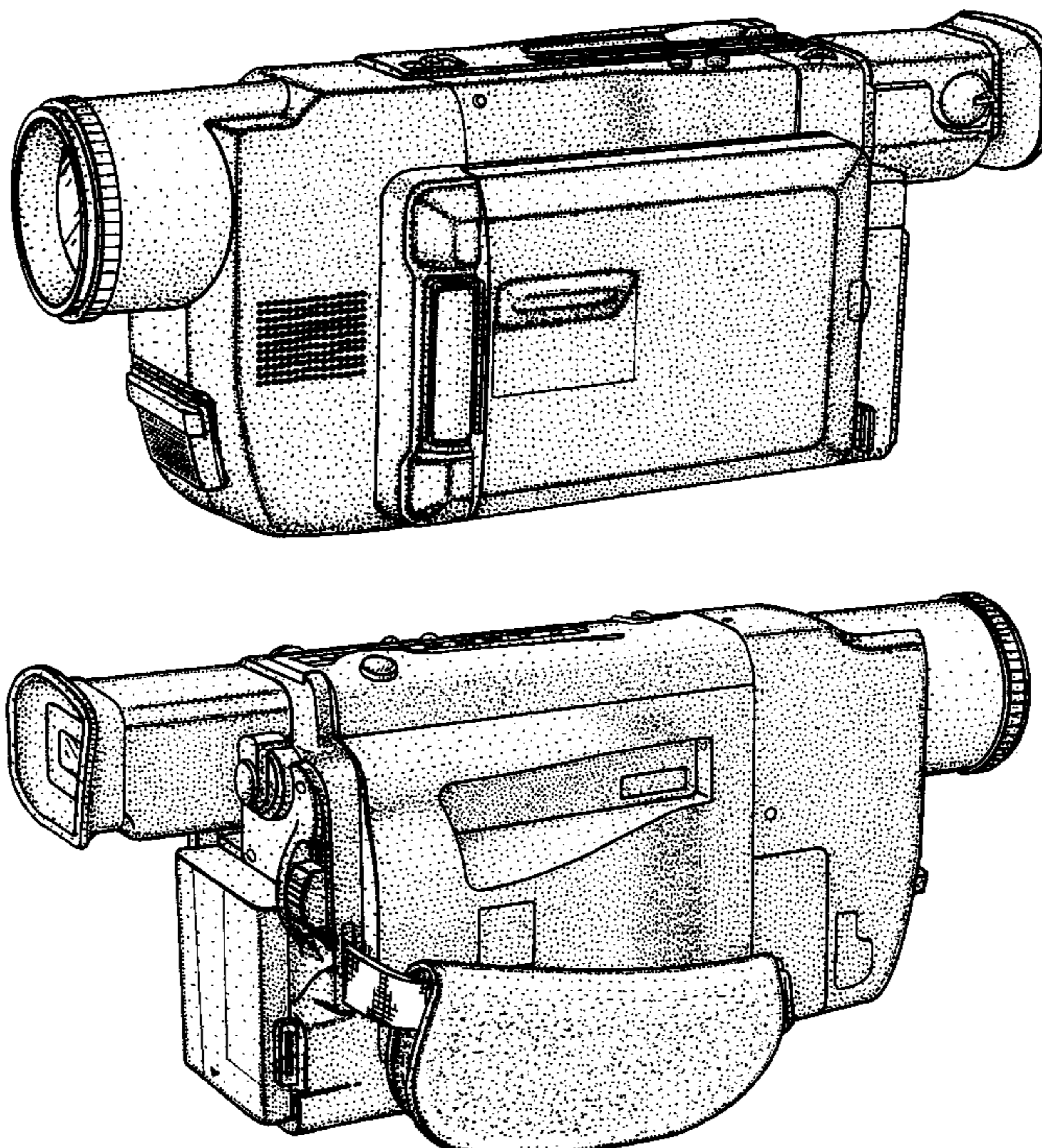


FIG. 1

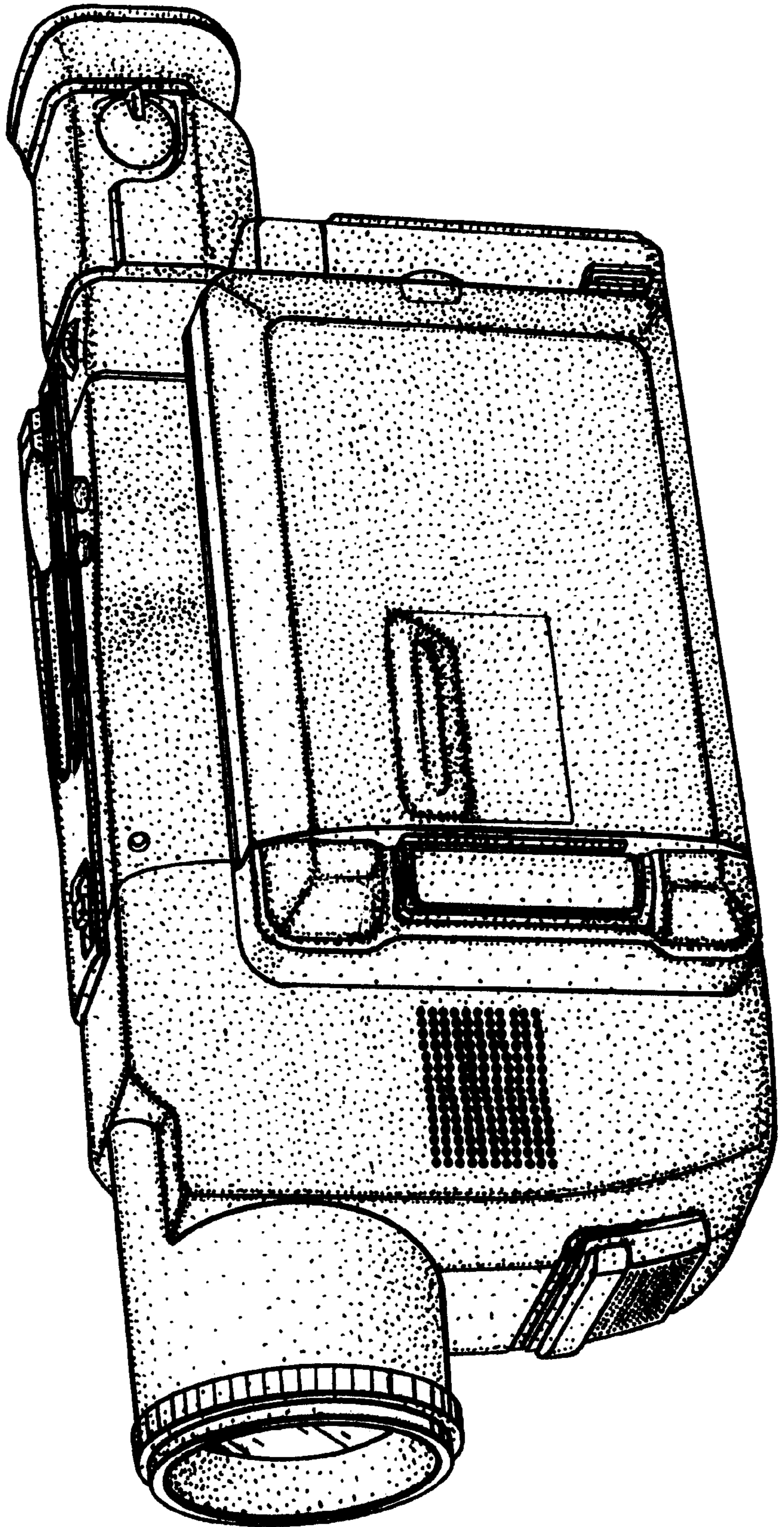


FIG. 2

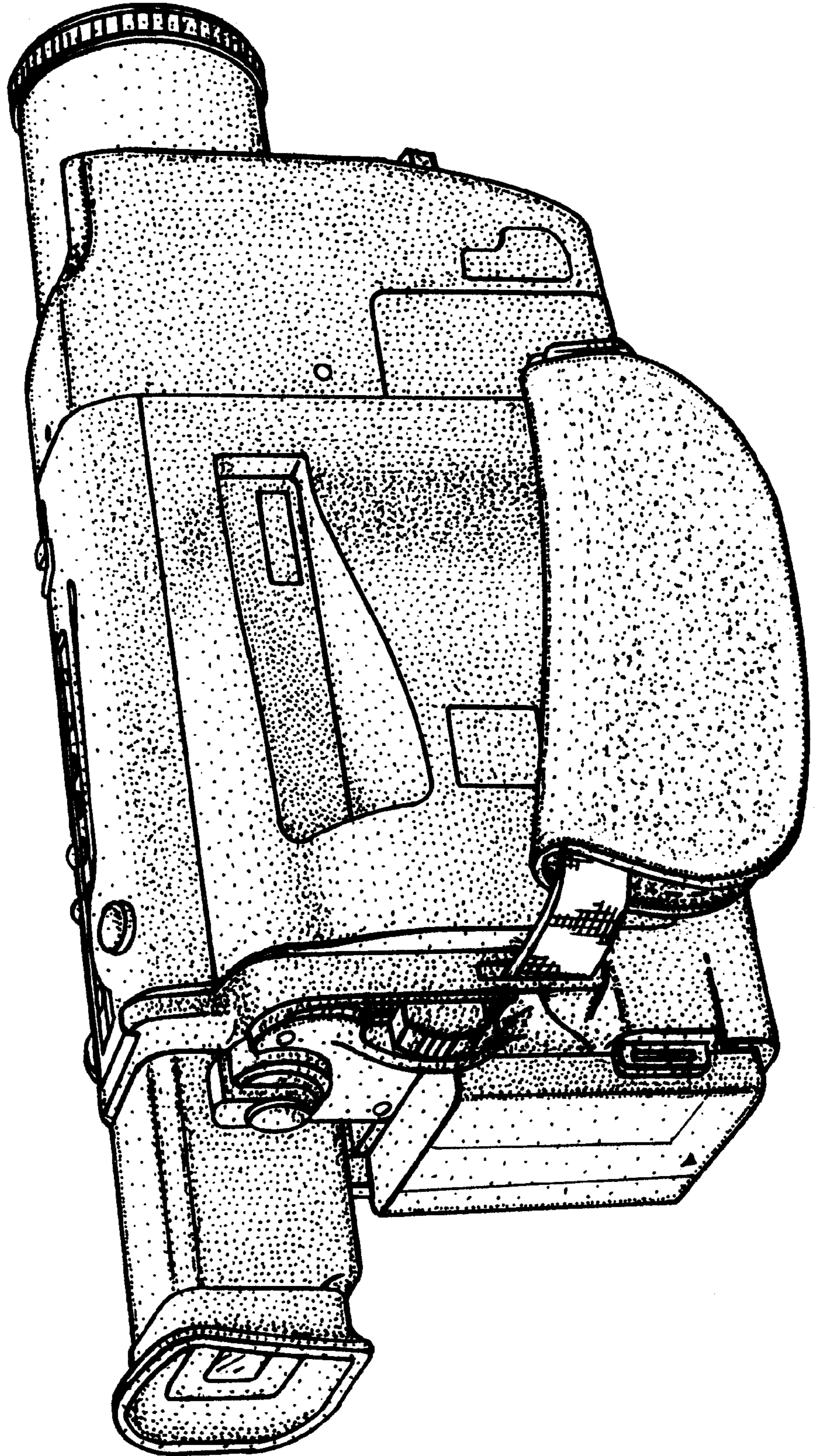


FIG. 4

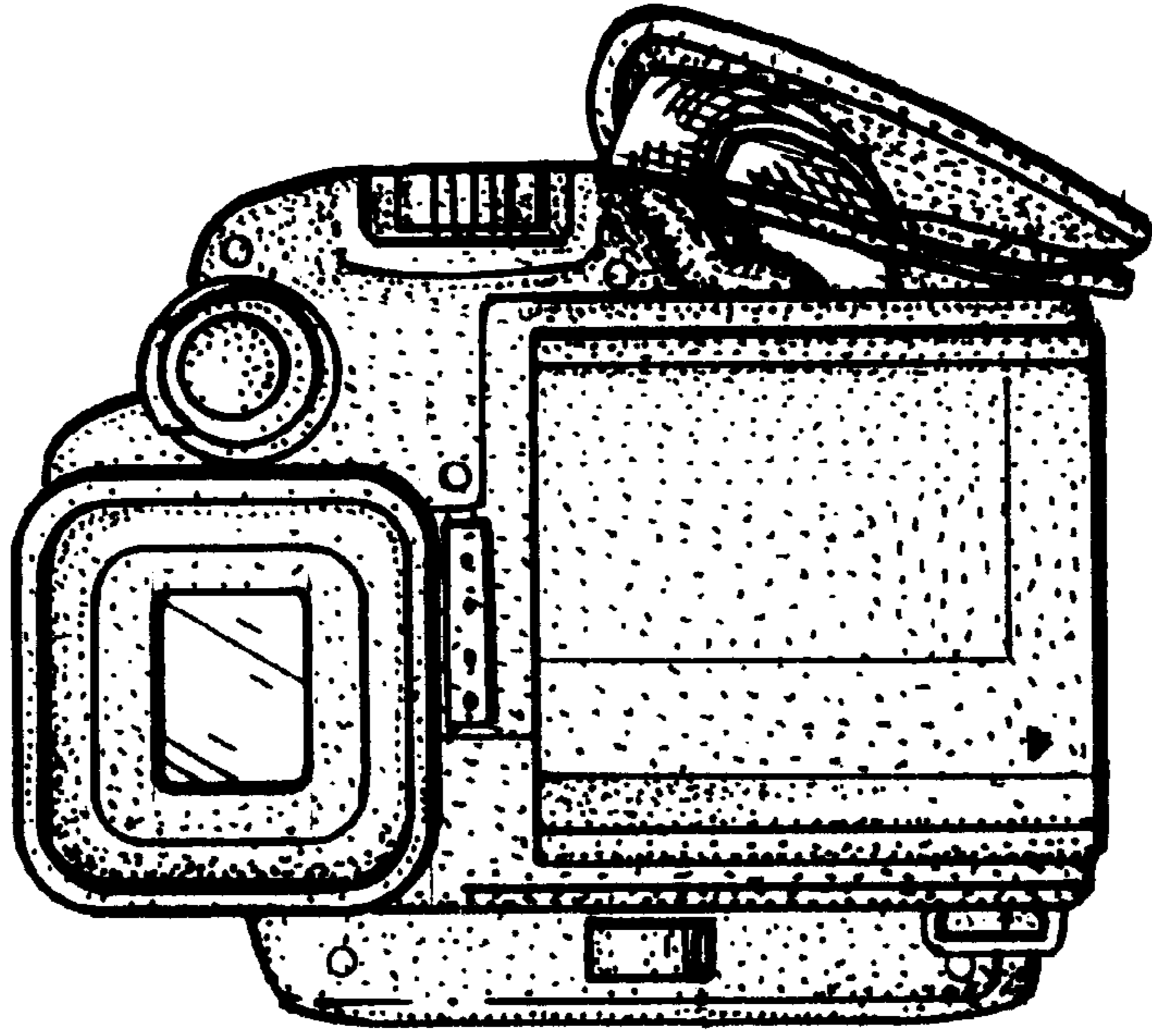
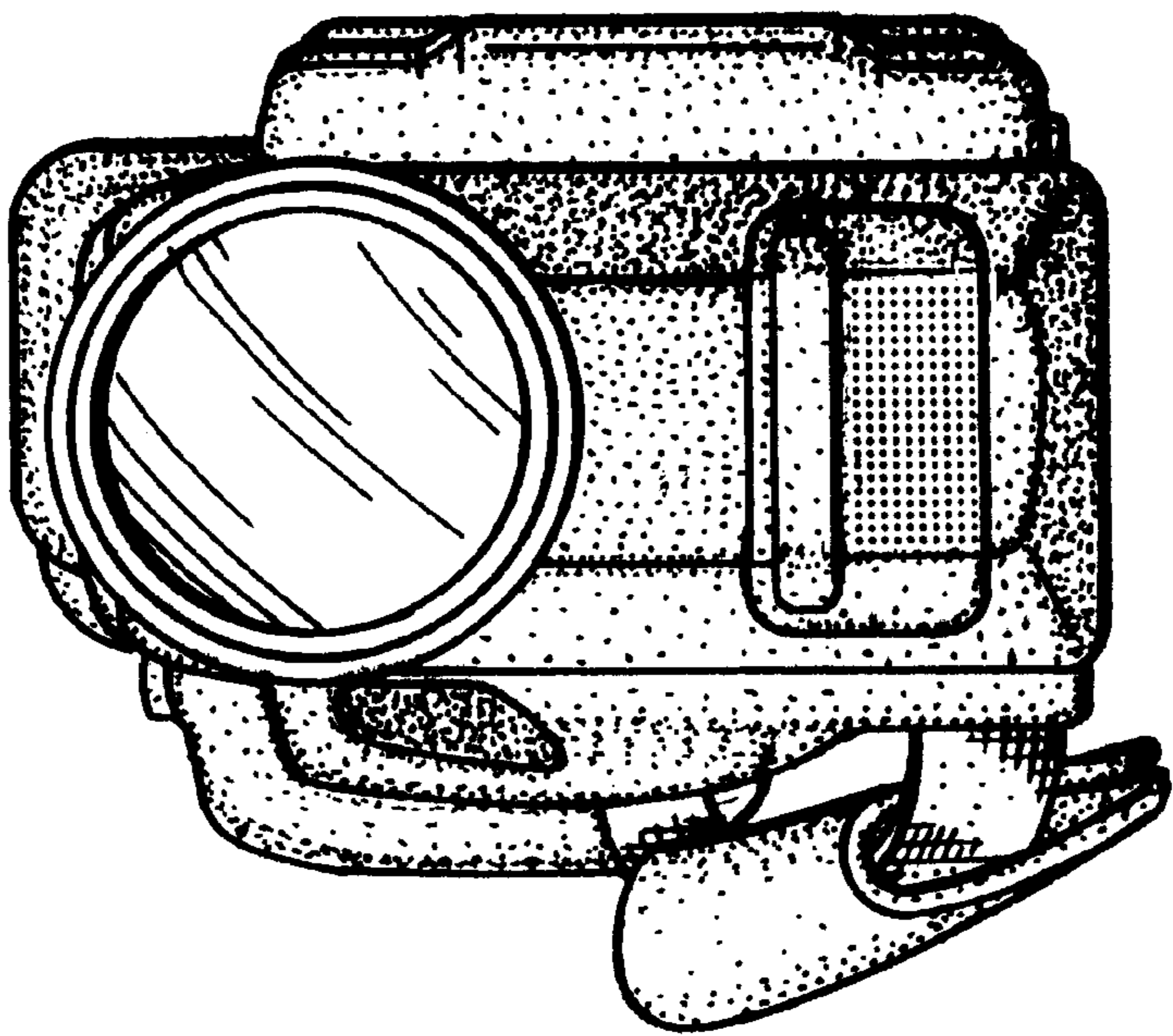


FIG. 3



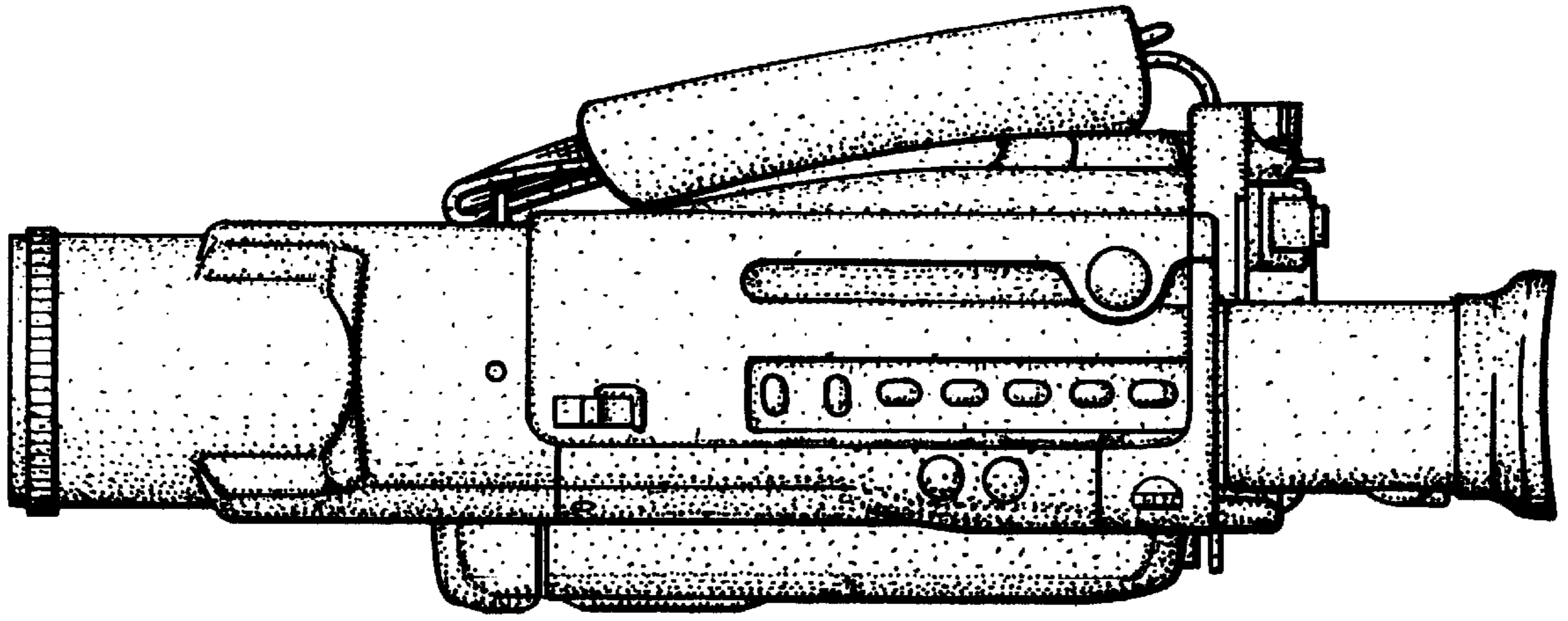
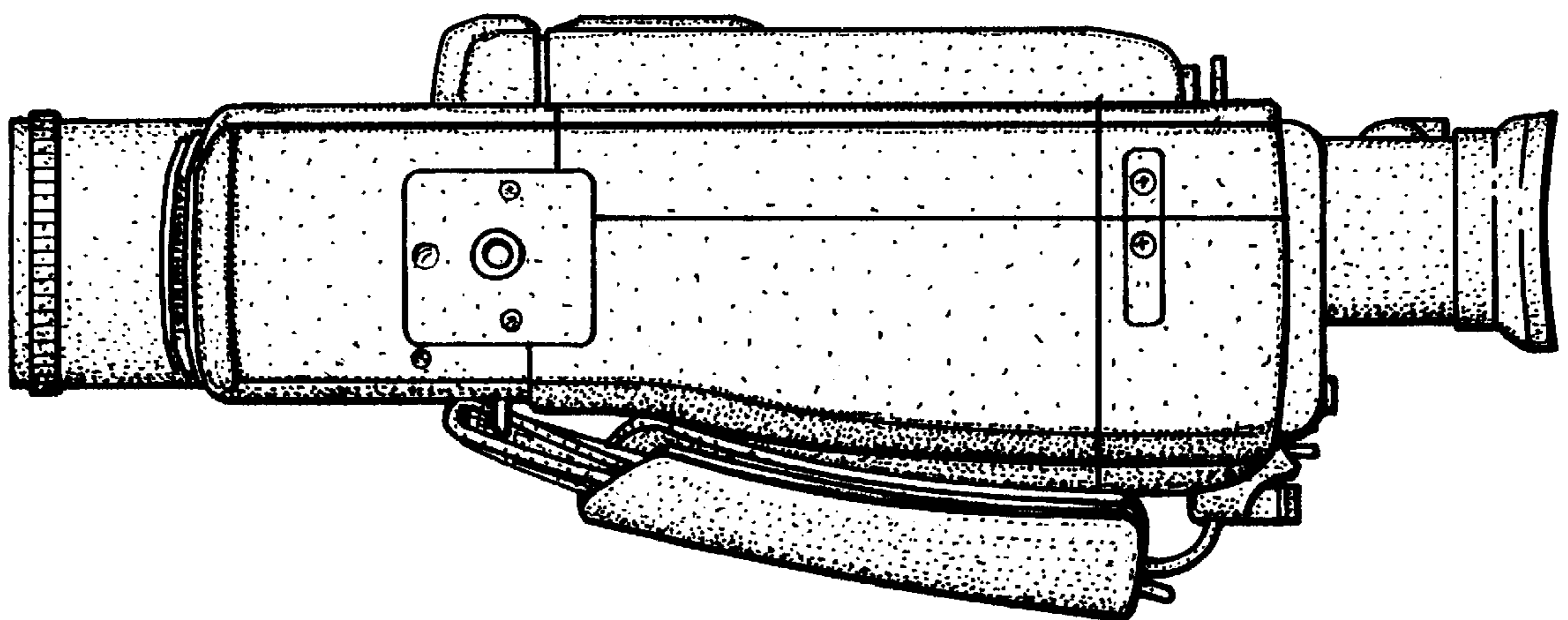


FIG. 5

FIG. 6



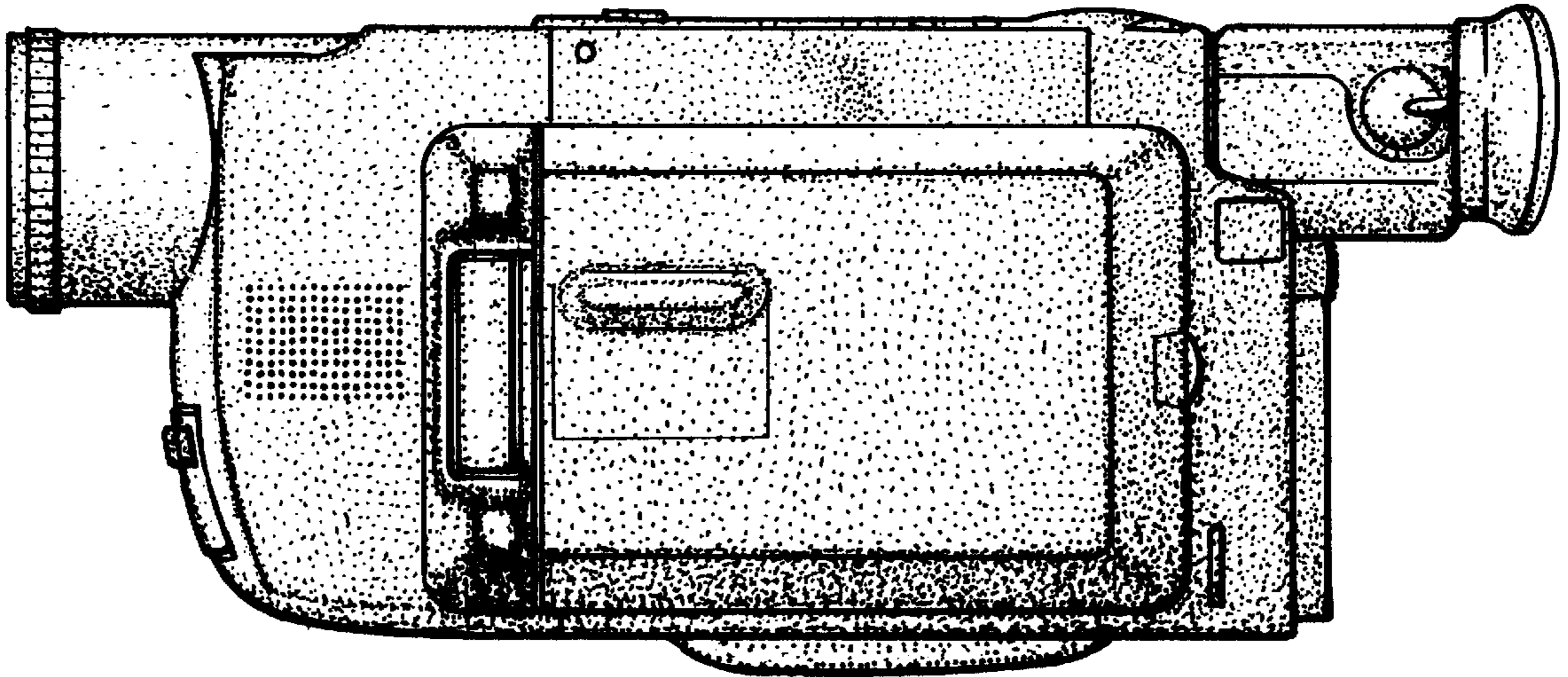


FIG. 7

FIG. 8

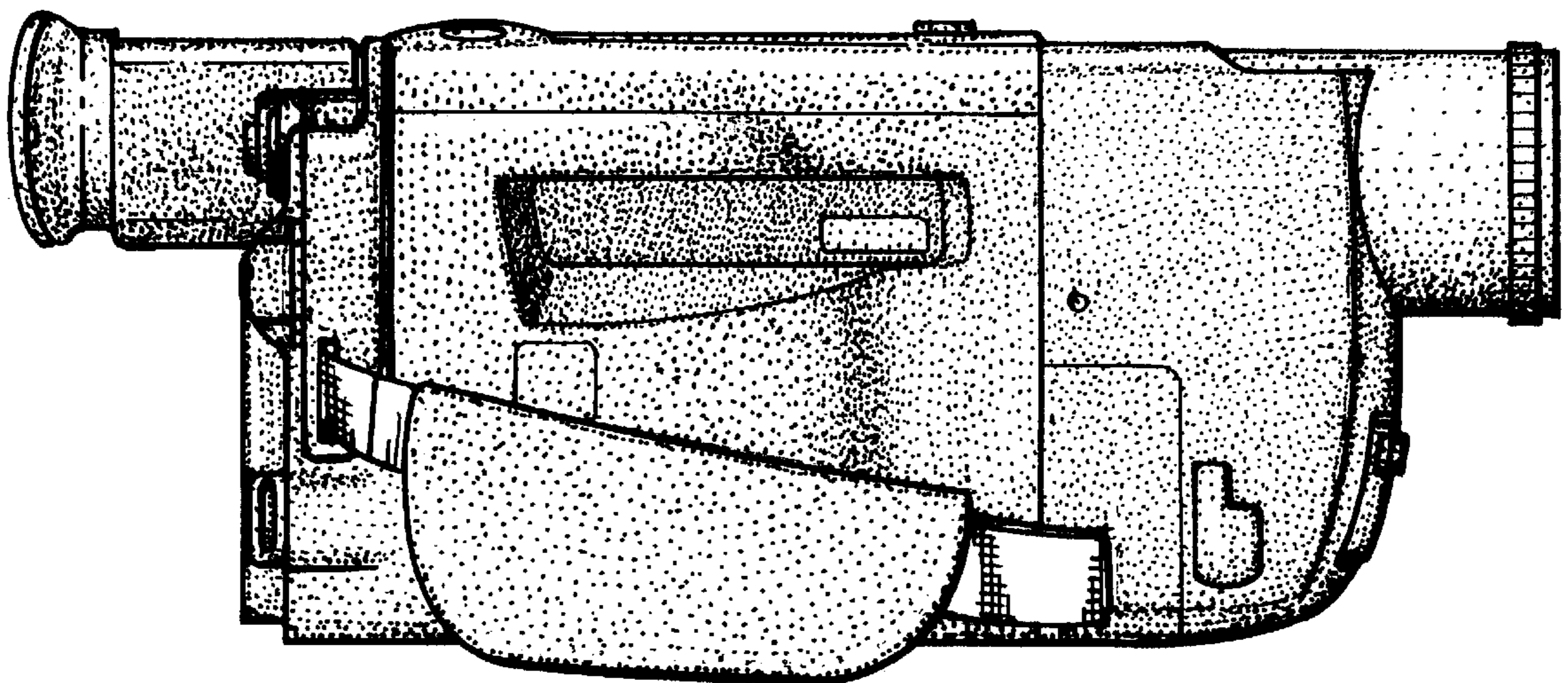
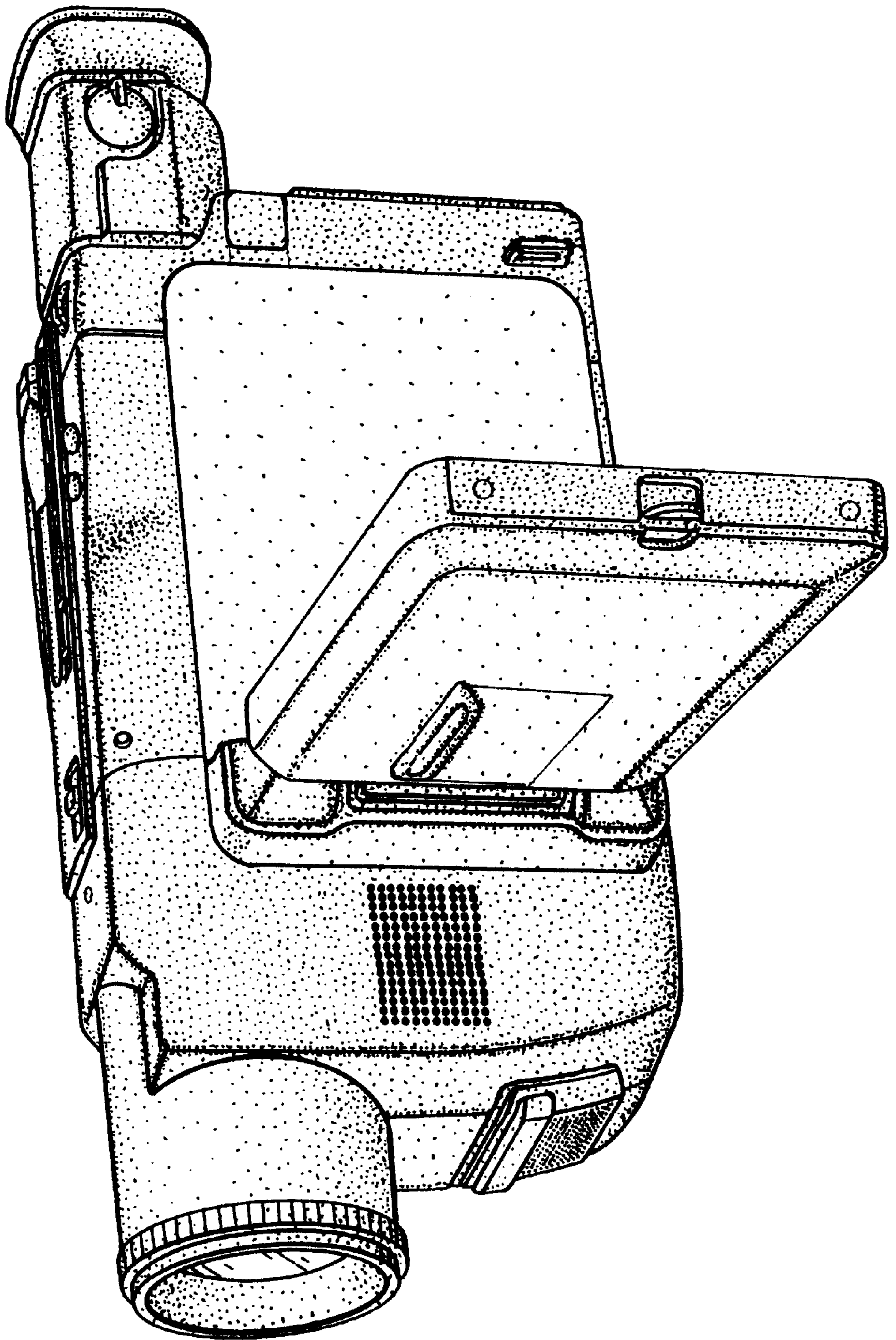


FIG. 9



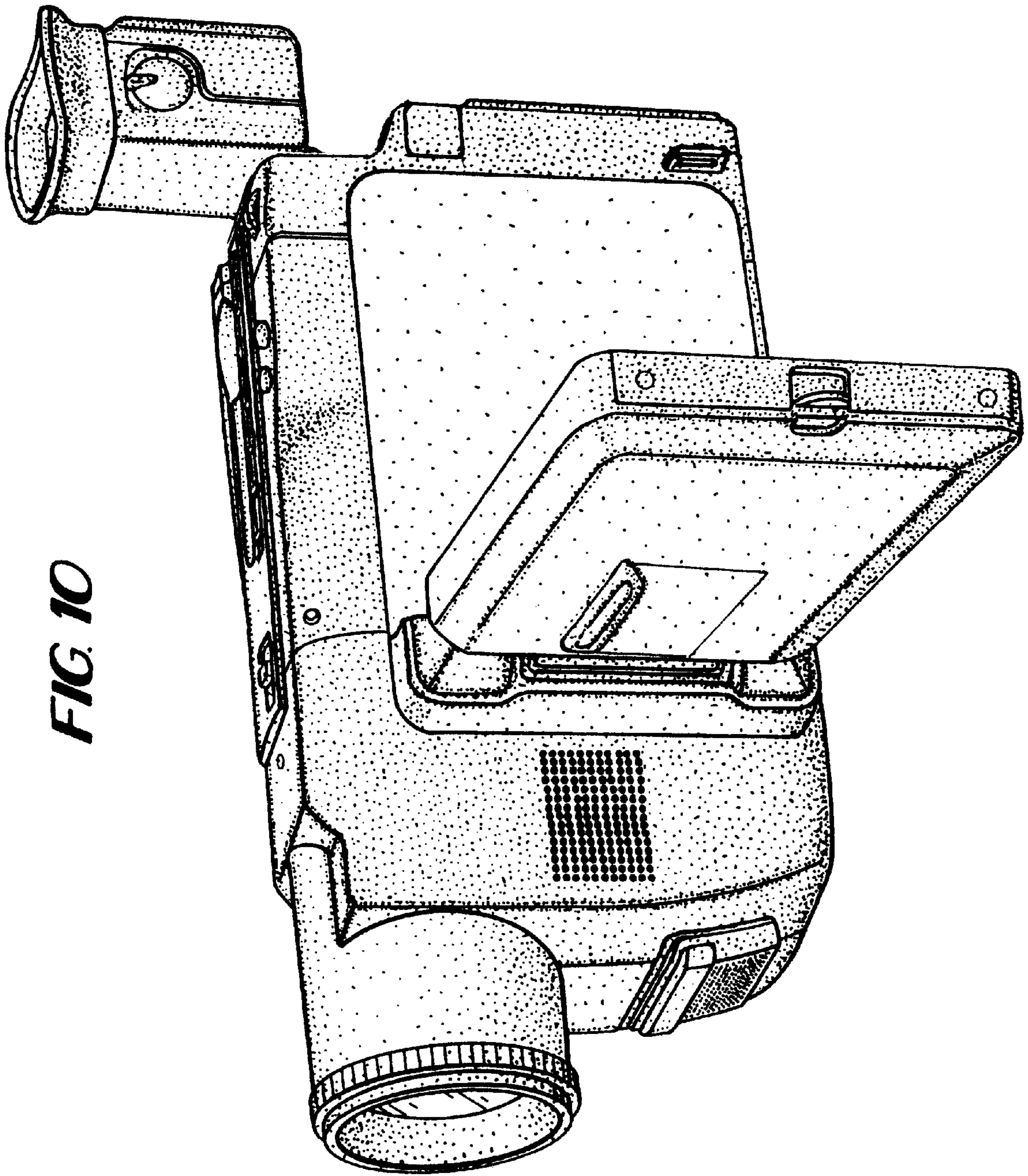


FIG. 10