



US00D428031S

# United States Patent [19]

Inaba

[11] Patent Number: **Des. 428,031**

[45] Date of Patent: **\*\* Jul. 11, 2000**

[54] **LENS MOUNTING ELEMENT FOR BINOCULARS**

[75] Inventor: **Toshiya Inaba**, Tokyo, Japan

[73] Assignee: **Asahi Kogaku Kogyo Kabushiki Kaisha**, Tokyo, Japan

[\*\*] Term: **14 Years**

[21] Appl. No.: **29/112,480**

[22] Filed: **Oct. 19, 1999**

[30] **Foreign Application Priority Data**

Apr. 19, 1999 [JP] Japan ..... 11-10274

[51] **LOC (7) Cl.** ..... **16-06**

[52] **U.S. Cl.** ..... **D16/133**

[58] **Field of Search** ..... D16/130, 132, D16/133; 359/407, 408, 409, 410, 411, 412, 413, 414, 415, 416, 417, 418

[56] **References Cited**

**U.S. PATENT DOCUMENTS**

D. 306,606 3/1990 Yamanaka et al. .... D16/133  
D. 375,106 10/1996 Matsuda et al. .... D16/133

D. 376,167 12/1996 Hayamizu ..... D16/133

*Primary Examiner*—Paula A. Mortimer  
*Attorney, Agent, or Firm*—Sughrue, Mion, Zinn, Macpeak & Seas, PLLC

[57] **CLAIM**

The ornamental design for a lens mounting element for binoculars, as shown and described.

**DESCRIPTION**

FIG. 1 is a perspective view of the top, front and right side of a lens mounting element for binoculars showing my new design;

FIG. 2 is a right side elevational view thereof;

FIG. 3 is a top plan view thereof;

FIG. 4 is a front elevational view thereof;

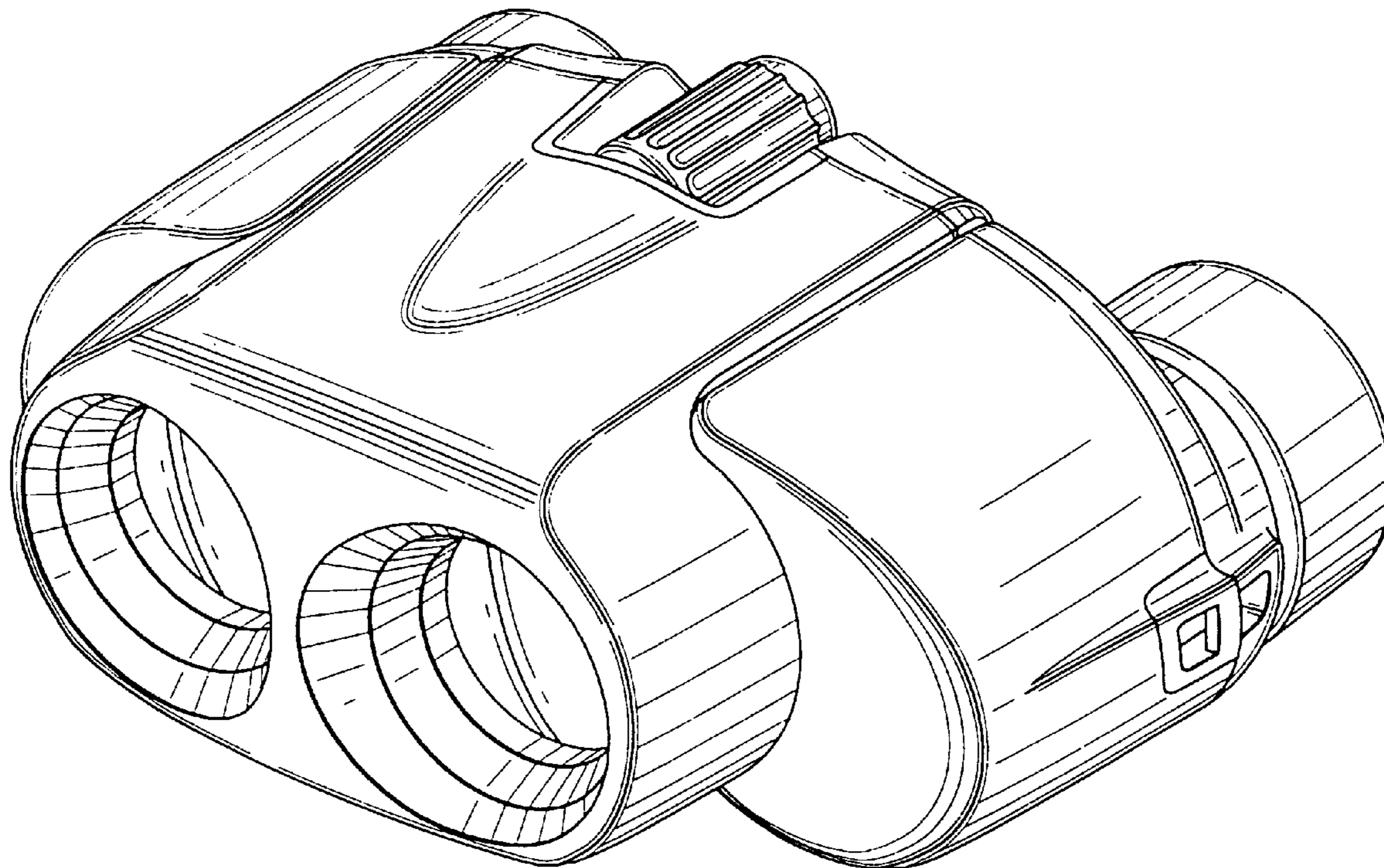
FIG. 5 is a rear elevational view thereof;

FIG. 6 is a bottom plan view thereof; and,

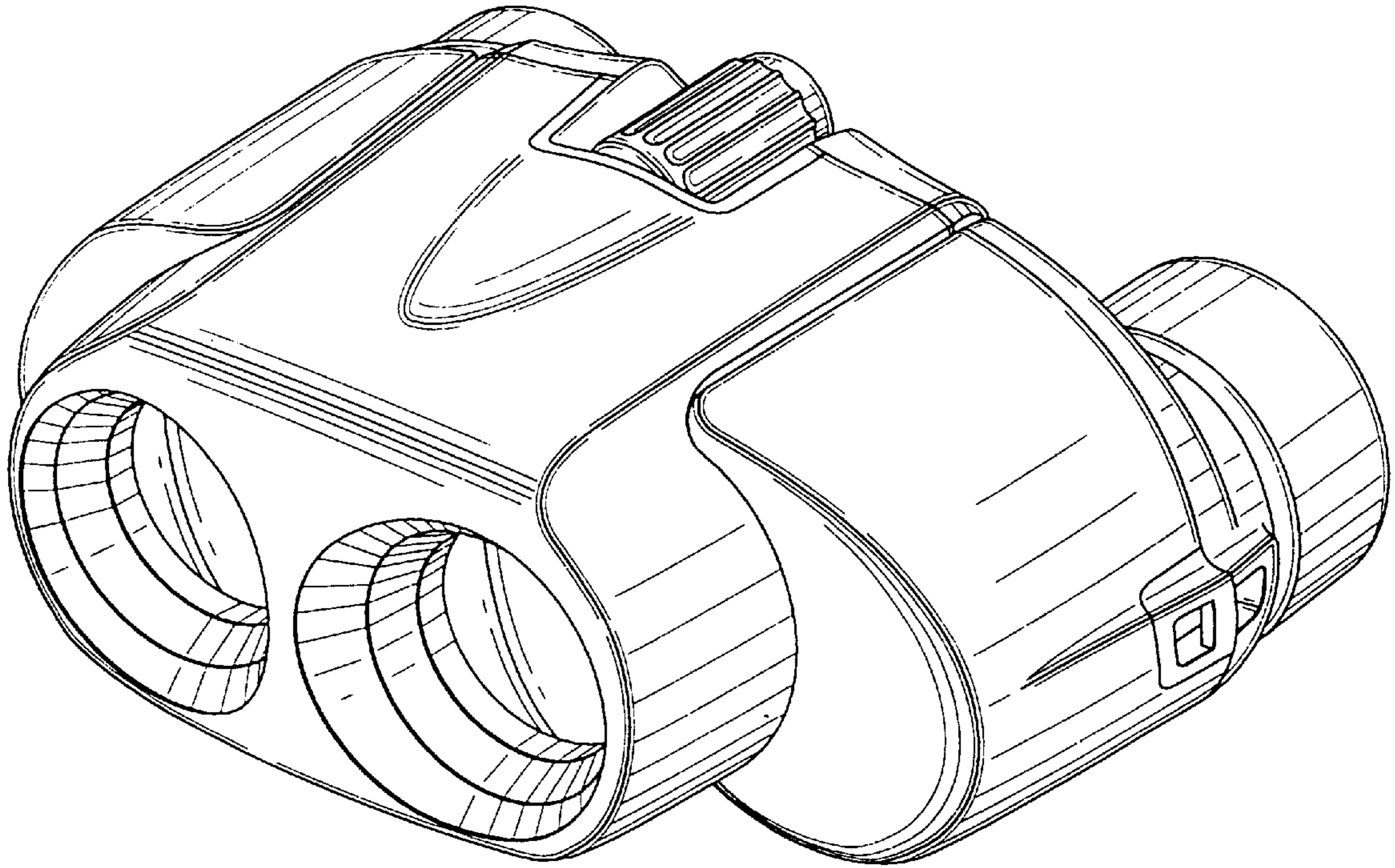
FIG. 7 is a left side elevational view thereof.

The portions of the lens mounting element not shown are not visible in normal use when mounted as part of a binoculars. The portions of the binoculars shown in broken lines do not constitute a part of the claimed design.

**1 Claim, 4 Drawing Sheets**



*FIG. 1*



*FIG. 2*

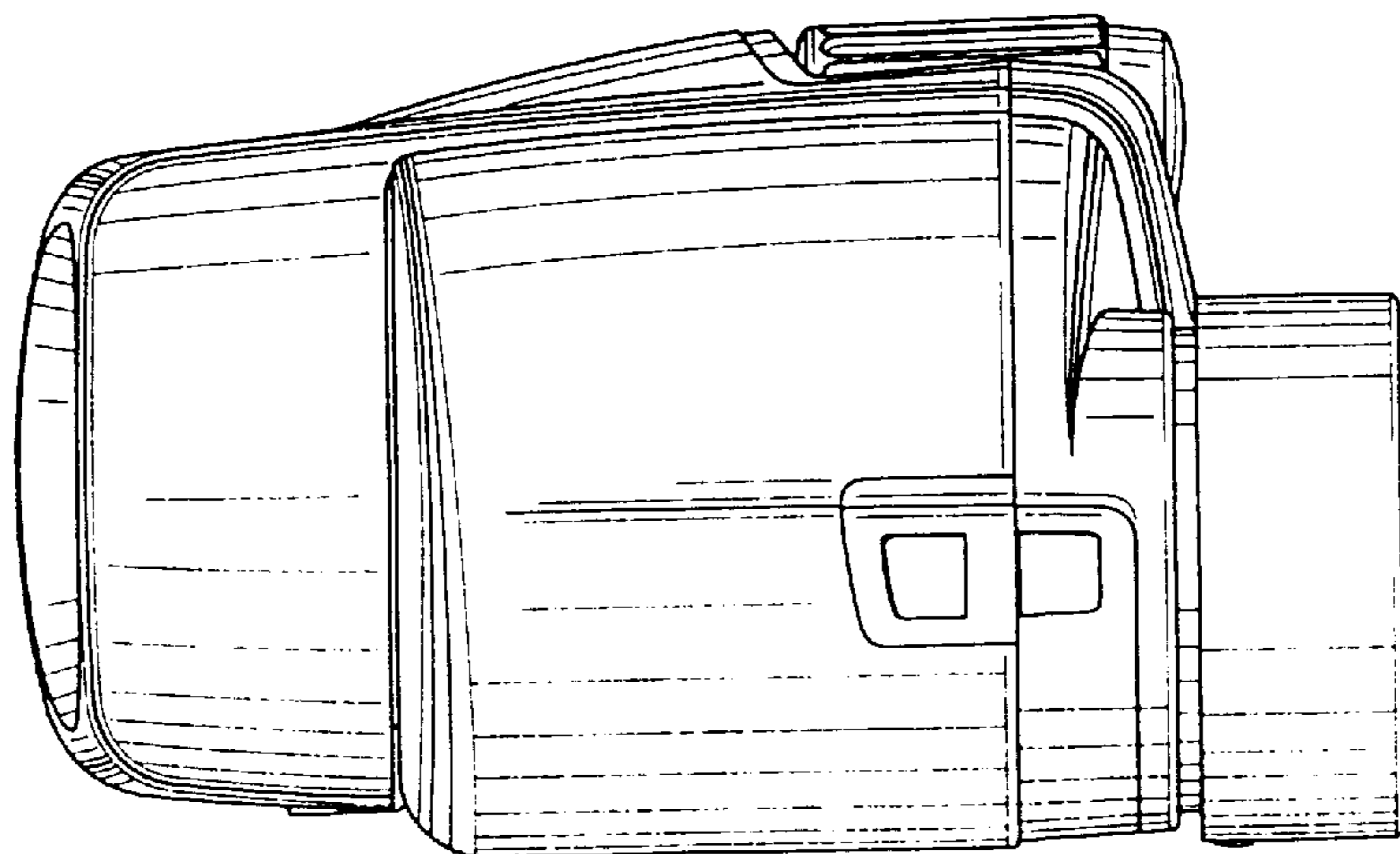




FIG. 3

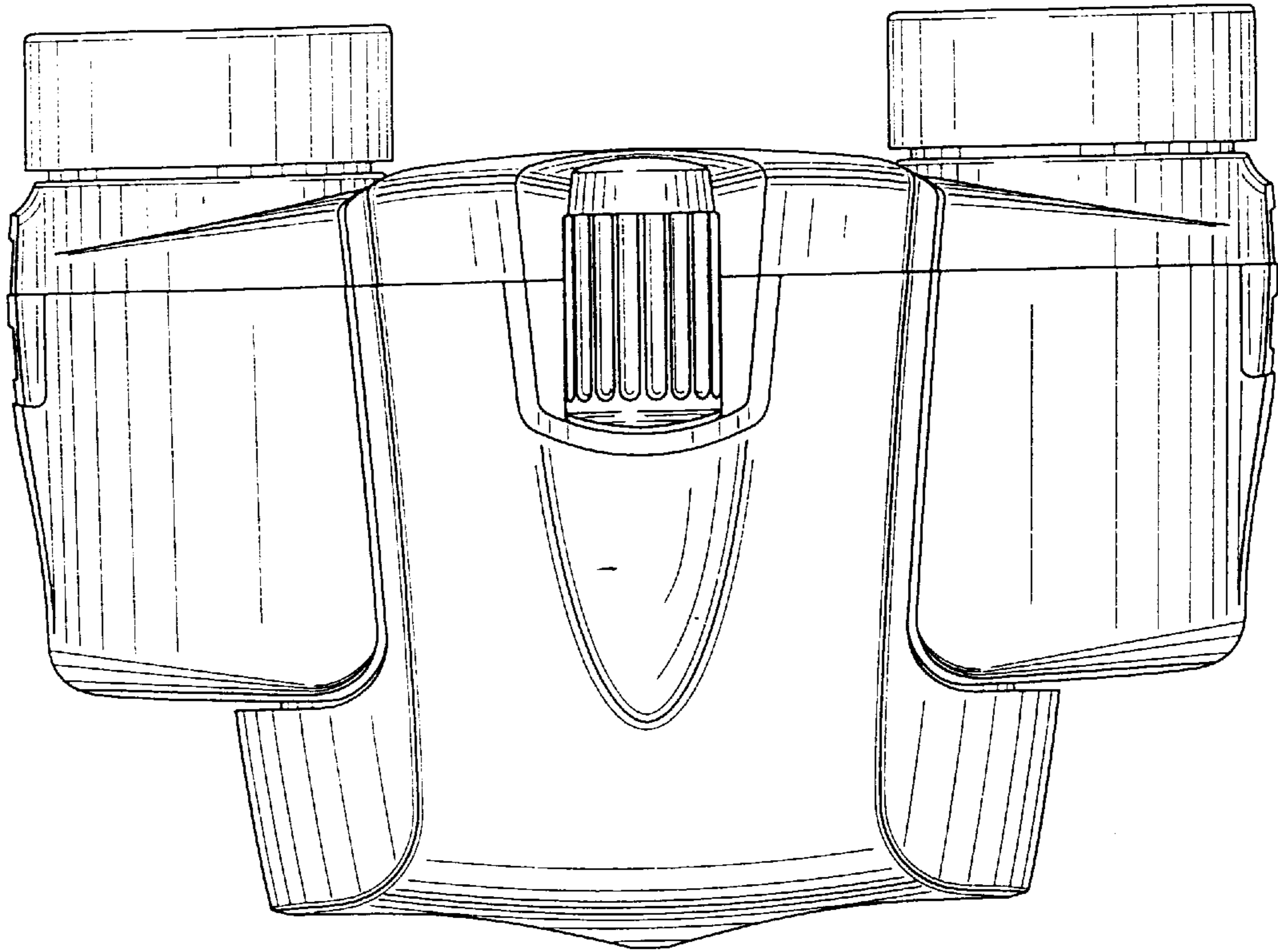
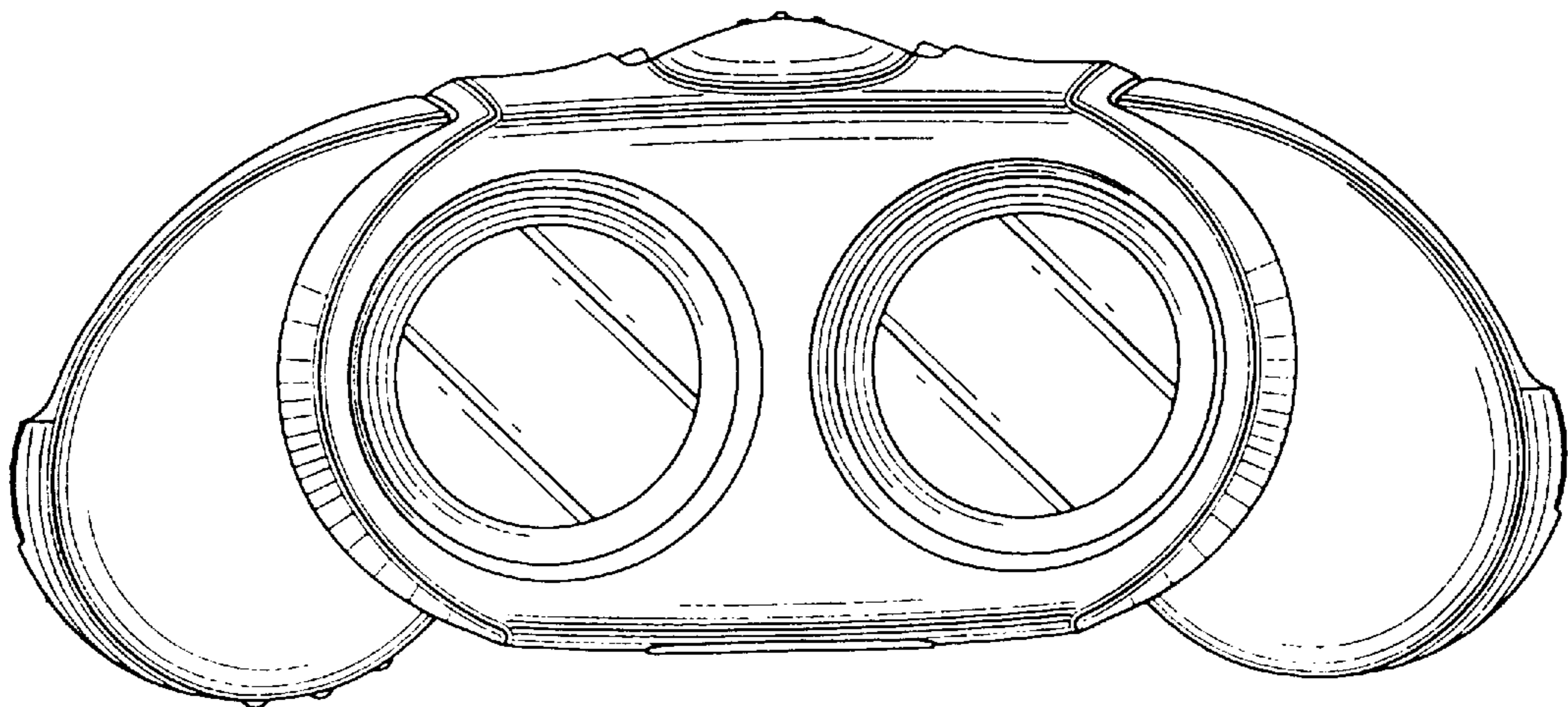
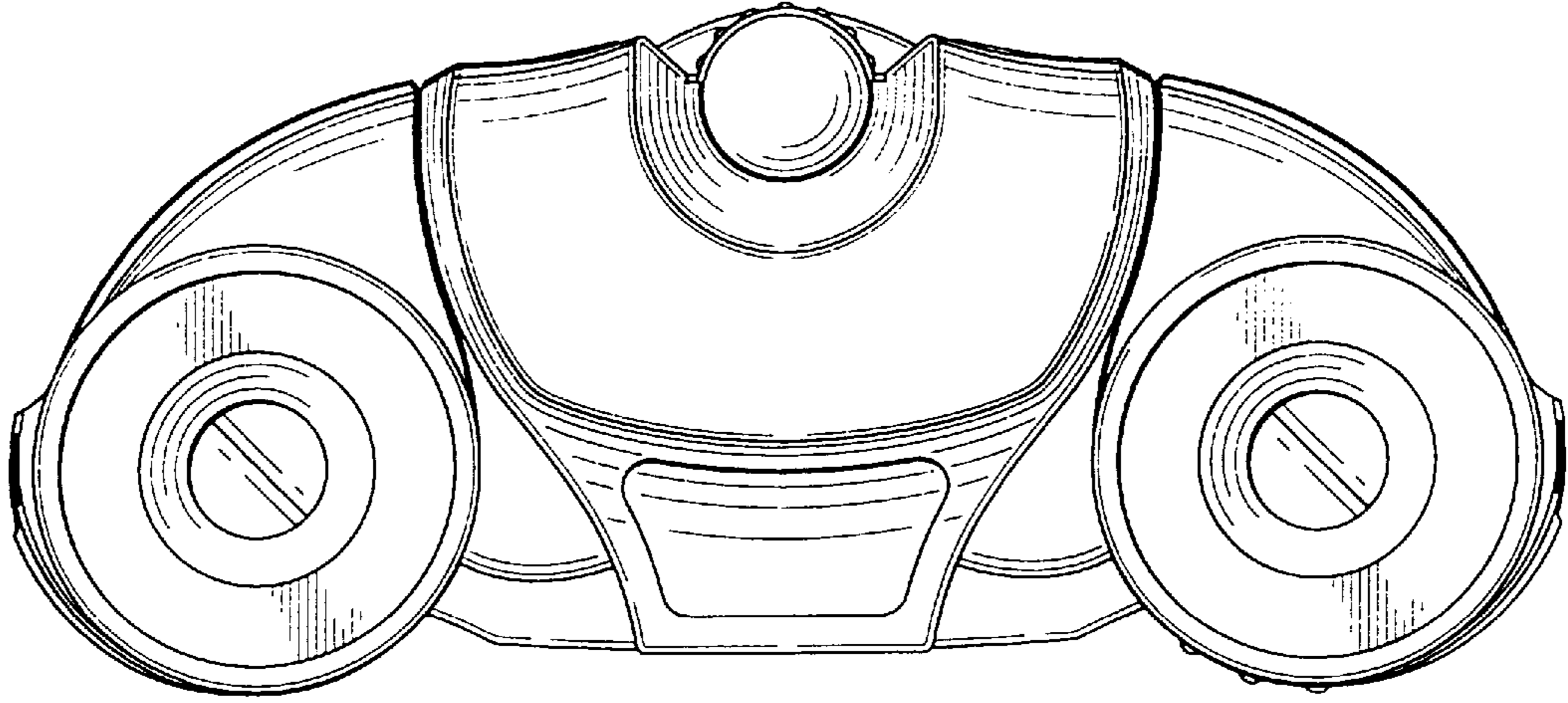


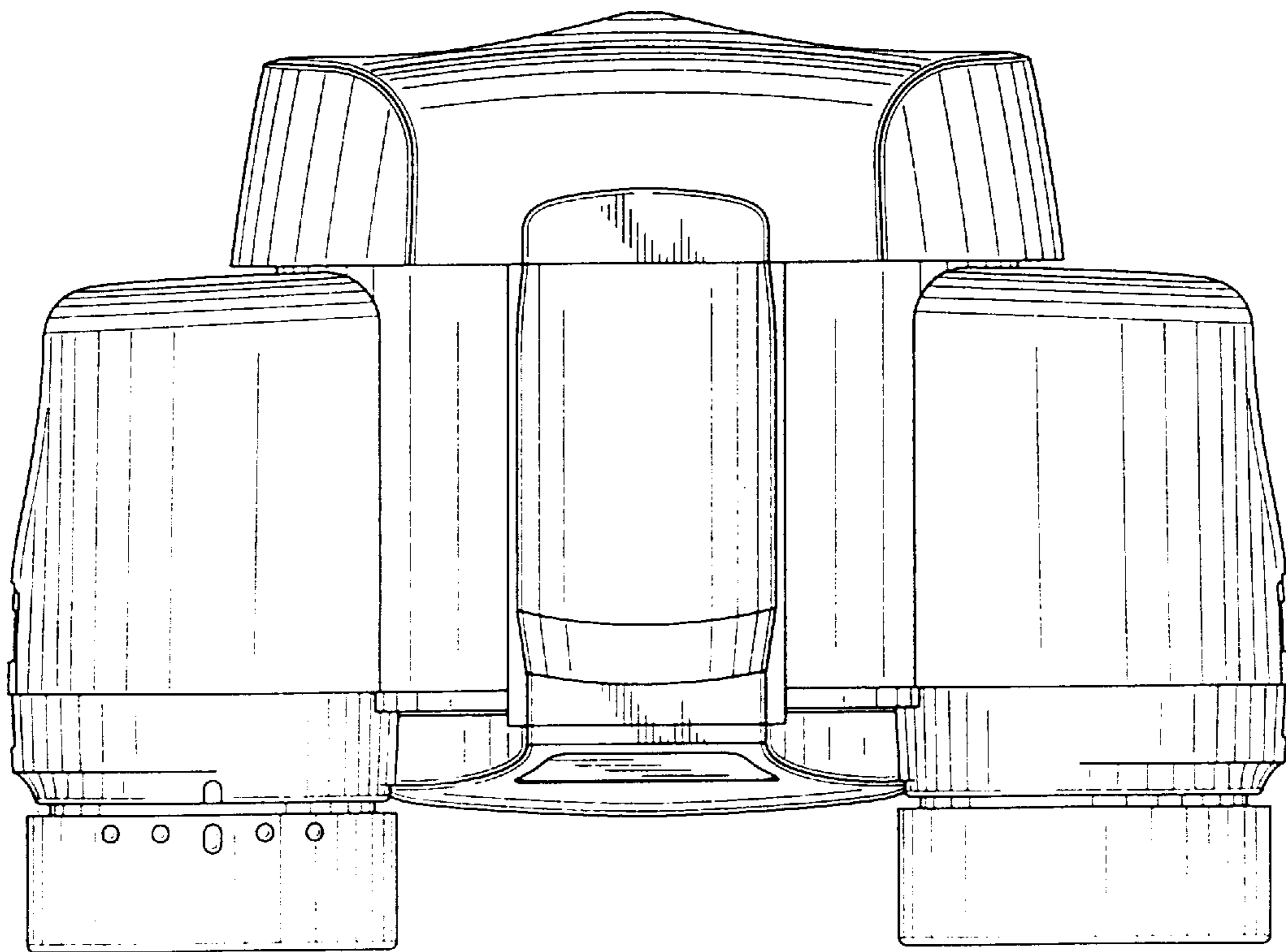
FIG. 4



*FIG. 5*



*FIG. 6*



*FIG. 7*

