



US00D428030S

United States Patent [19]
Konno

[11] **Patent Number: Des. 428,030**
[45] **Date of Patent: ** Jul. 11, 2000**

[54] **JUNIOR MICROSCOPE**
[75] Inventor: **Junichi Konno**, Tokyo-to, Japan
[73] Assignee: **Shin Nihon Tsusho Kabuskiki Kaisha**,
Tokyo-to, Japan
[**] Term: **14 Years**
[21] Appl. No.: **29/116,264**
[22] Filed: **Dec. 28, 1999**
[51] **LOC (7) Cl.** **16-06**
[52] **U.S. Cl.** **D16/131**
[58] **Field of Search** D16/130, 131;
359/363, 382, 383, 384, 399, 419, 430,
802, 804, 809, 810, 811, 816

2,544,371 3/1951 Weiser 359/383
3,997,239 12/1976 Scherzer 359/381
5,024,513 6/1991 Hayashi 359/382 X
5,052,788 10/1991 Tachibana 359/382 X

Primary Examiner—Paula A. Mortimer
Attorney, Agent, or Firm—Pyle & Piontek

[57] **CLAIM**

The ornamental design for junior microscope, as shown and described.

DESCRIPTION

FIG. 1 is top and side perspective view of my design of a junior microscope, illustrating the microscope in a vertical position.
FIG. 2 is top and side perspective view thereof, illustrating the microscope in a tilted position.
FIG. 3 is a front side view thereof.
FIG. 4 is a rear side view thereof.
FIG. 5 is a right side view thereof.
FIG. 6 is a left side view thereof.
FIG. 7 is a top plan view thereof; and,
FIG. 8 is a bottom view thereof.

[56] **References Cited**
U.S. PATENT DOCUMENTS
D. 192,824 5/1962 Preble D16/131
D. 273,685 5/1984 Yamada D16/131
D. 294,037 2/1988 Yamada D16/131
D. 339,148 9/1993 Omi D16/131
D. 407,423 3/1999 Pogue et al. D16/131

1 Claim, 8 Drawing Sheets

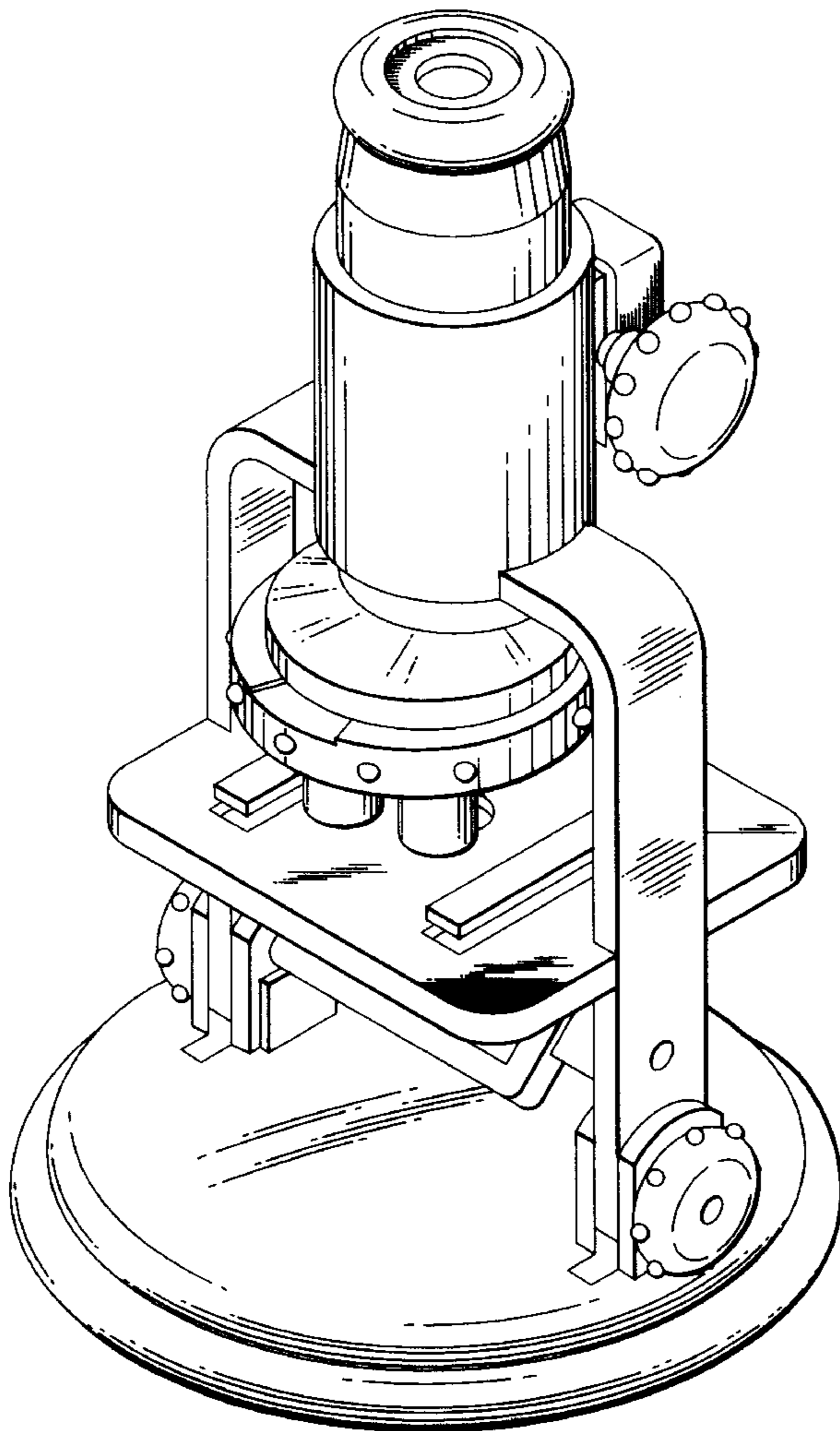


FIG. 1

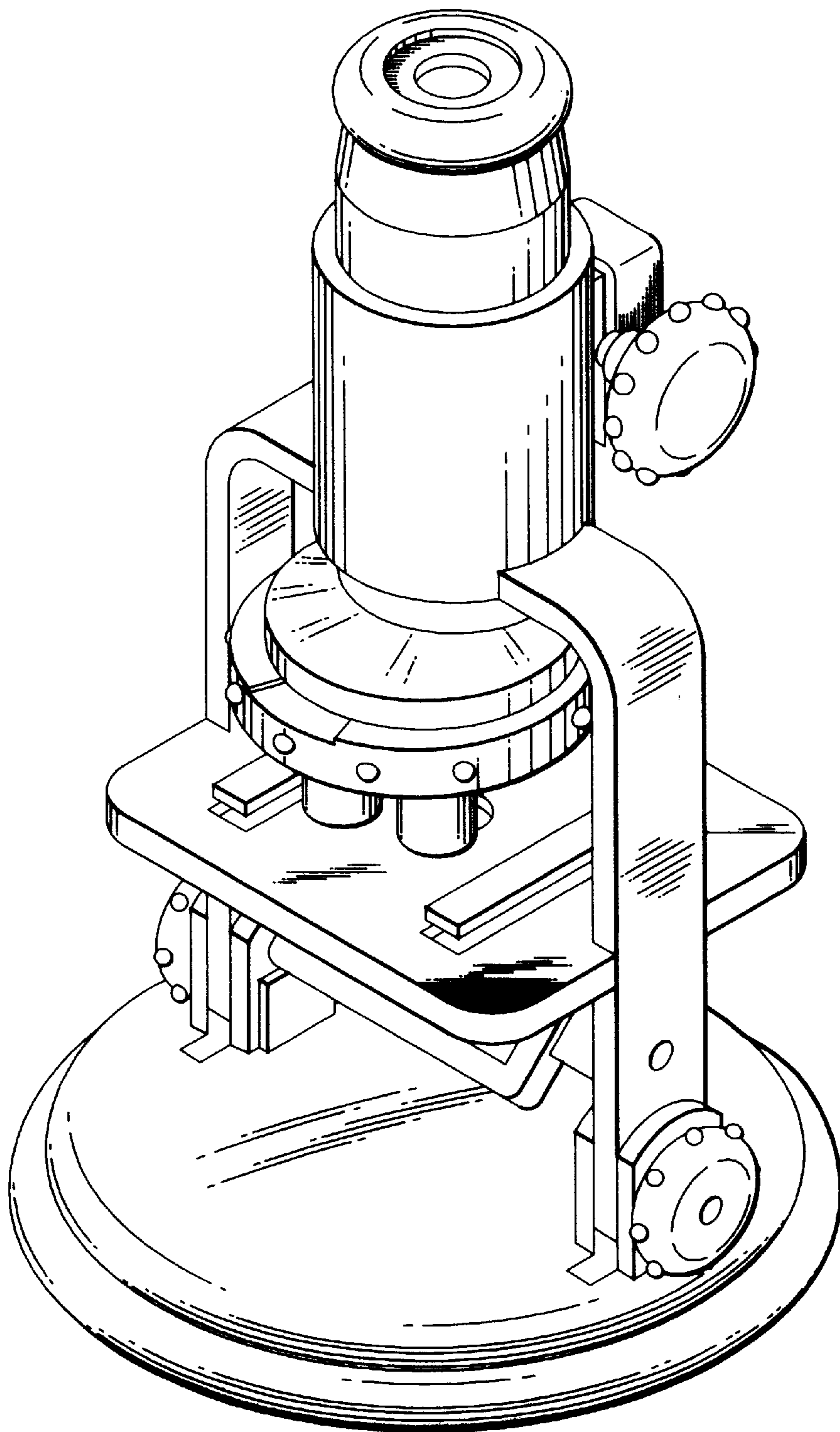


FIG. 2

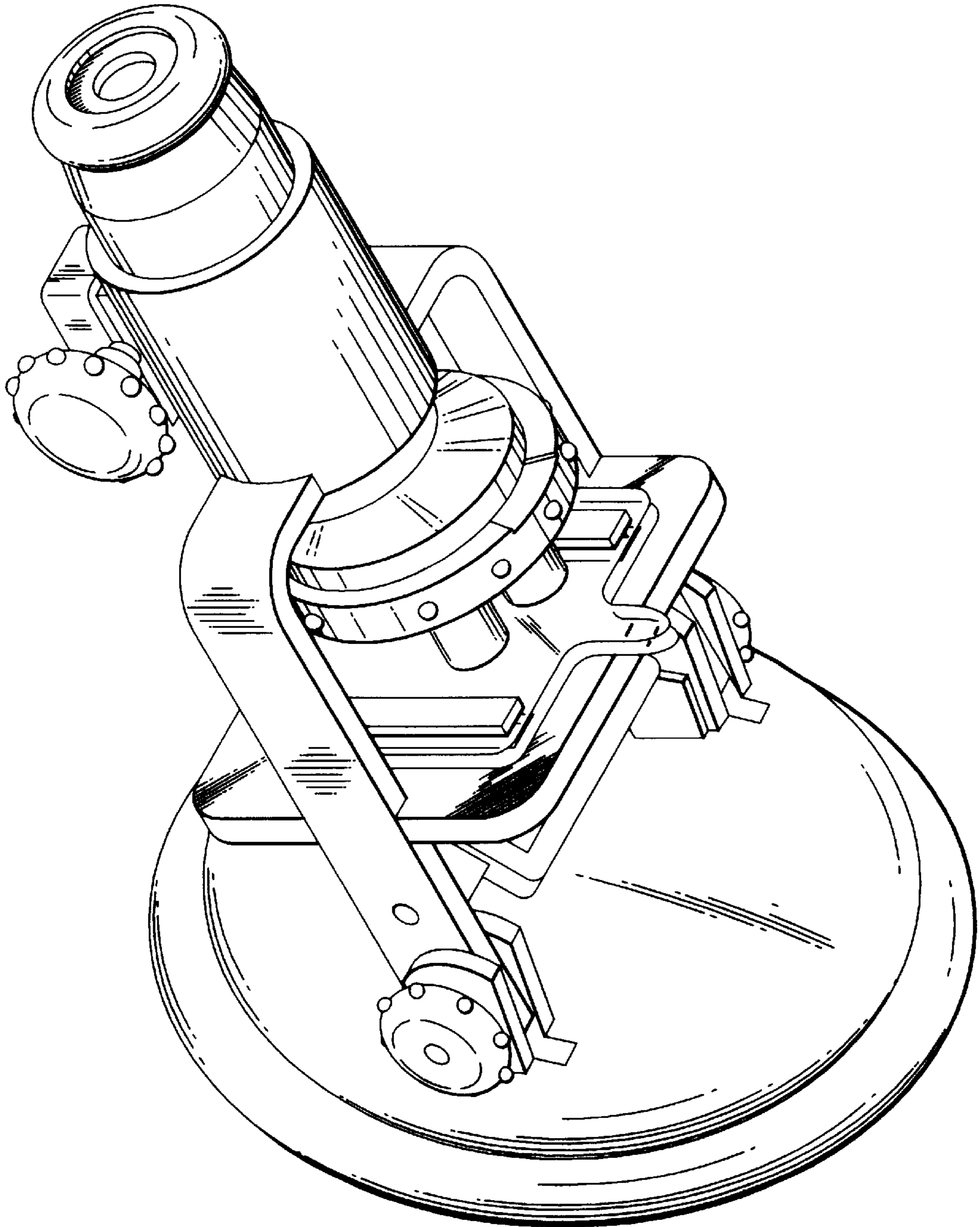


FIG. 3

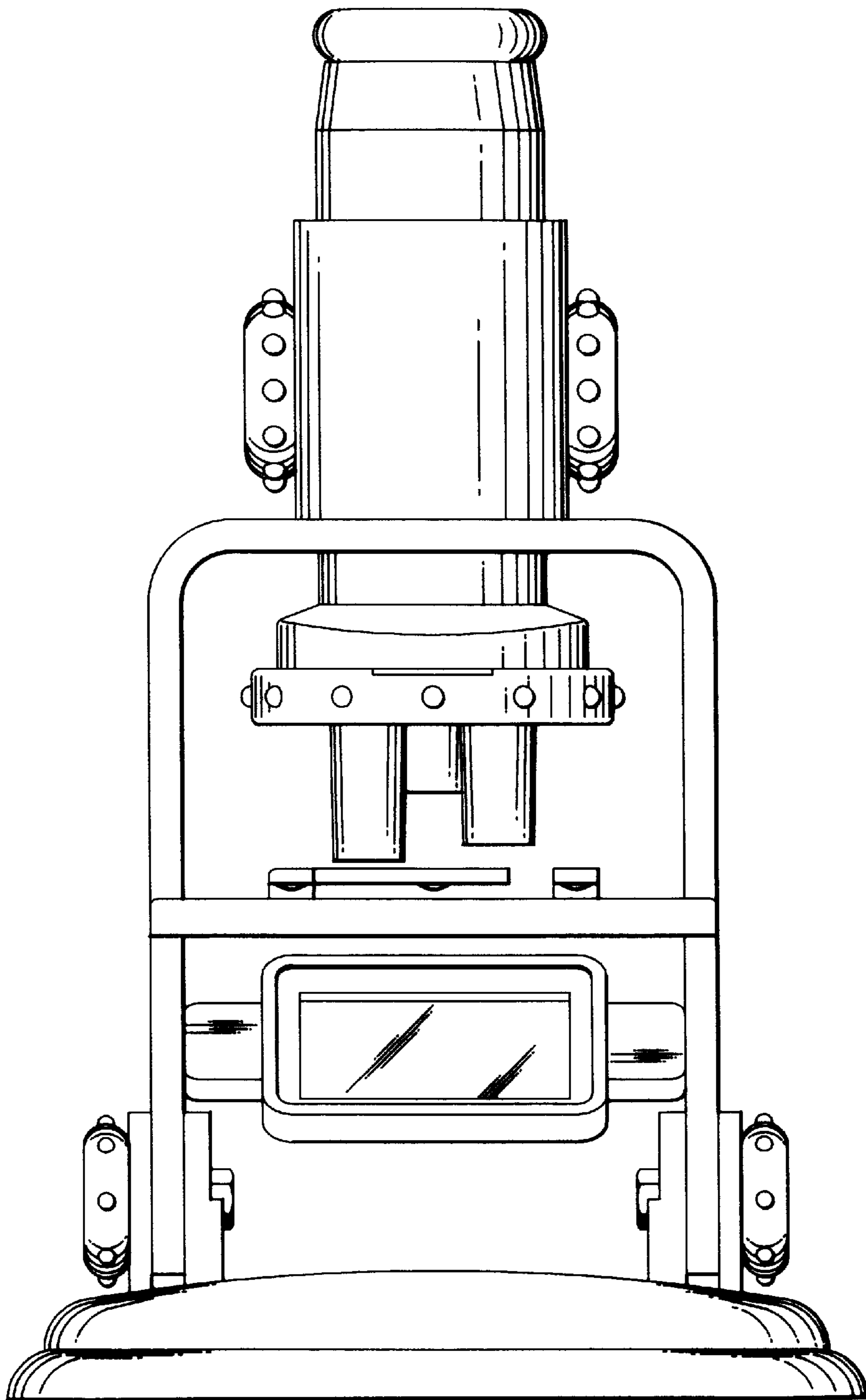


FIG. 4

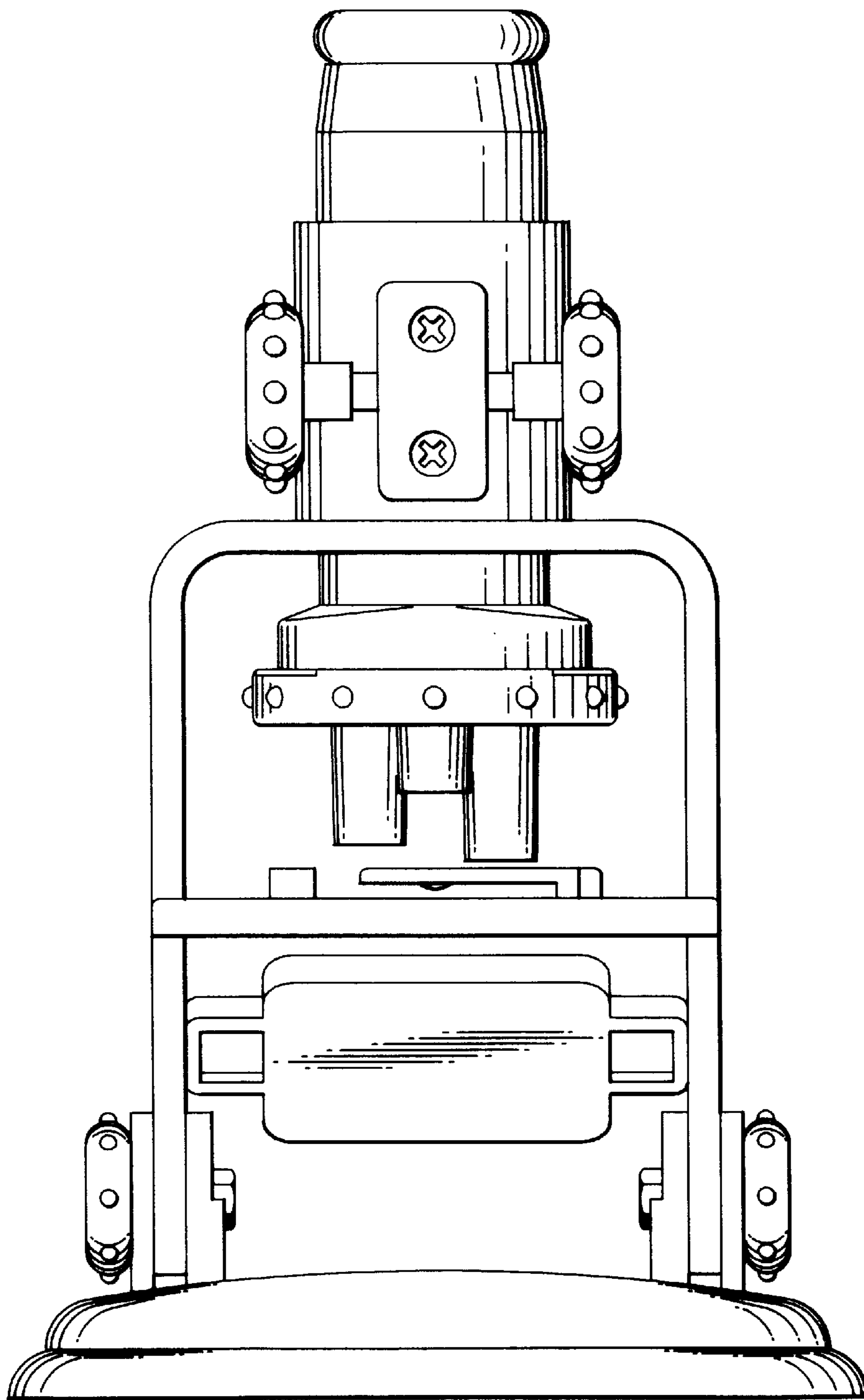


FIG. 5

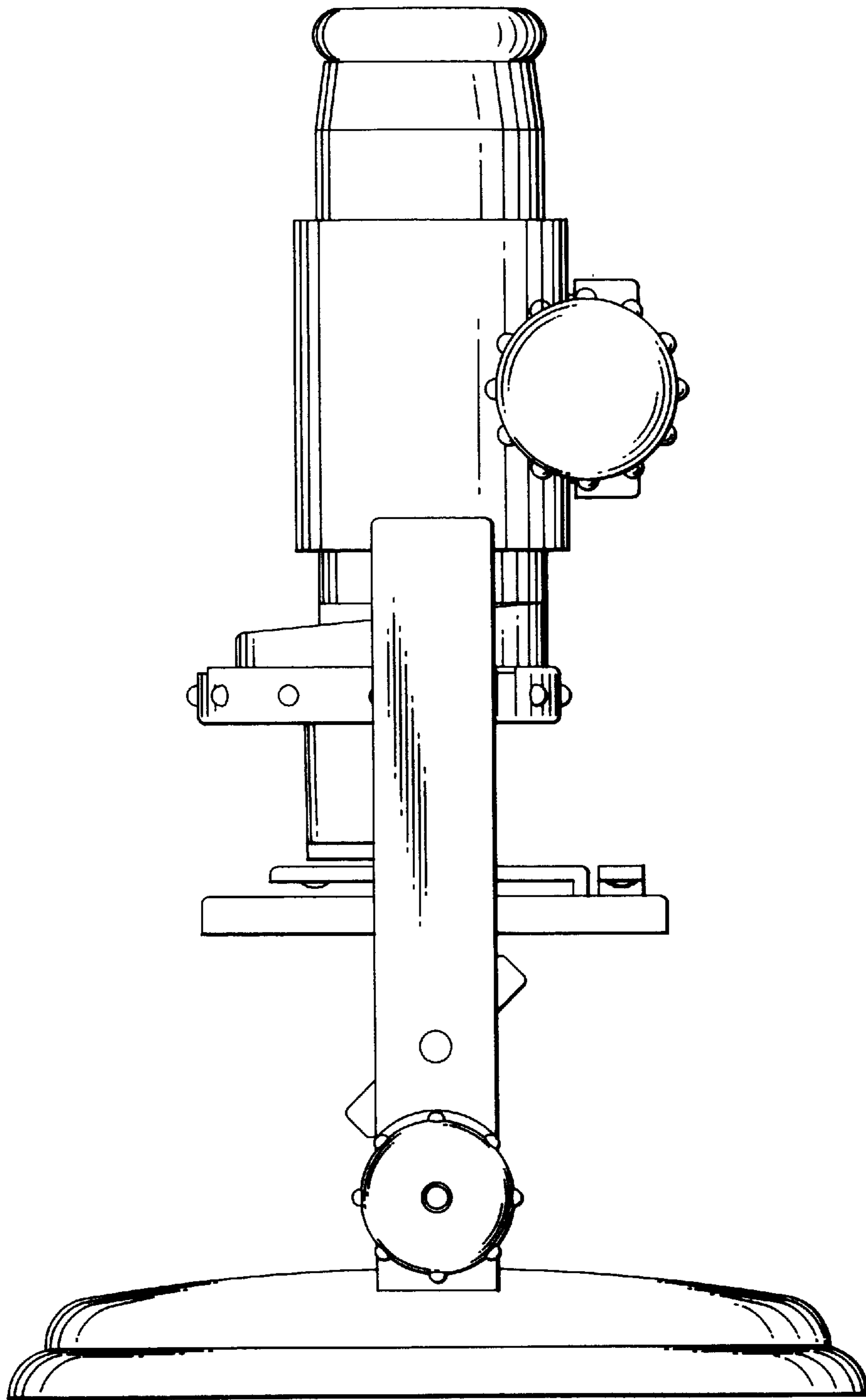


FIG. 6

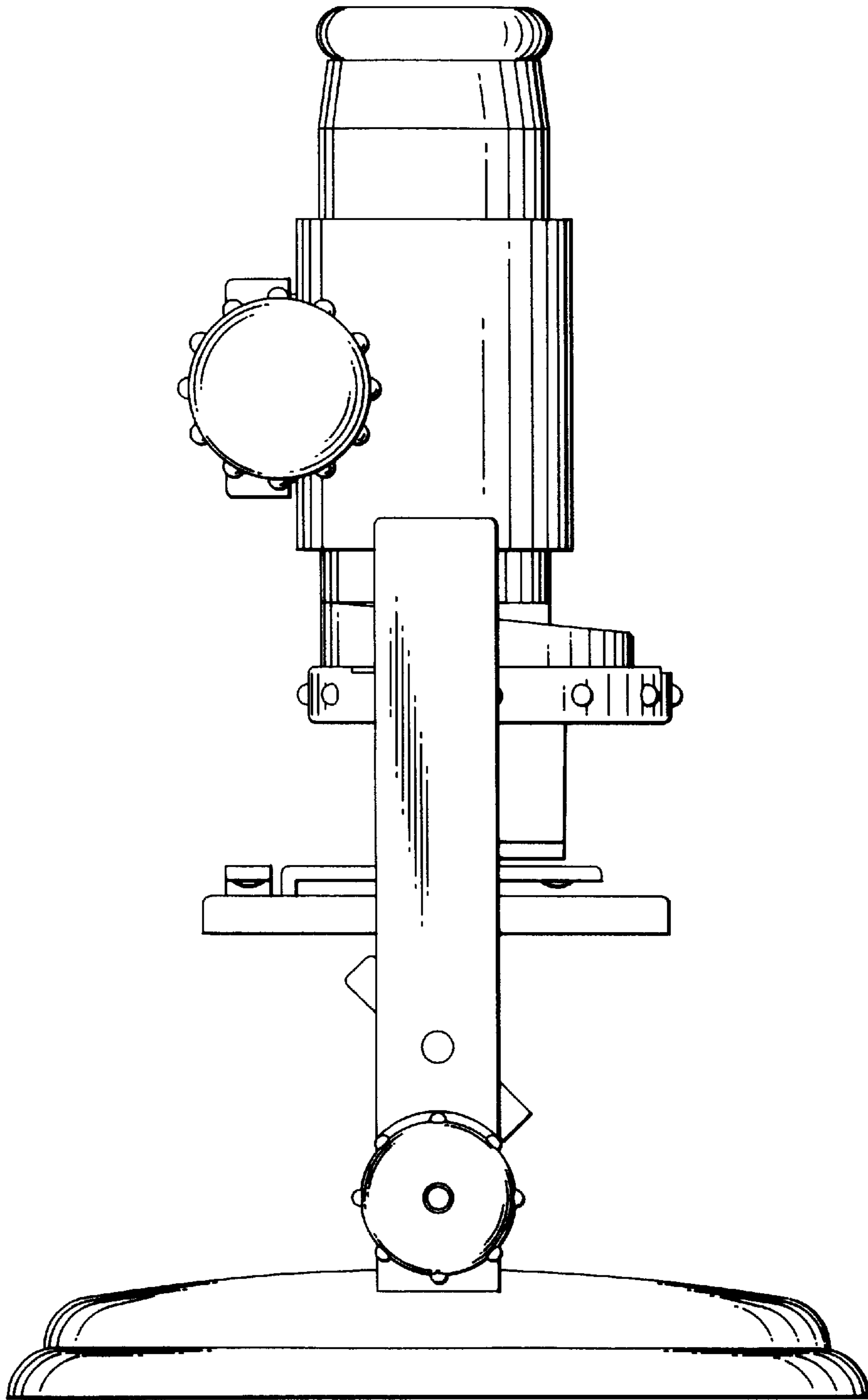


FIG. 7

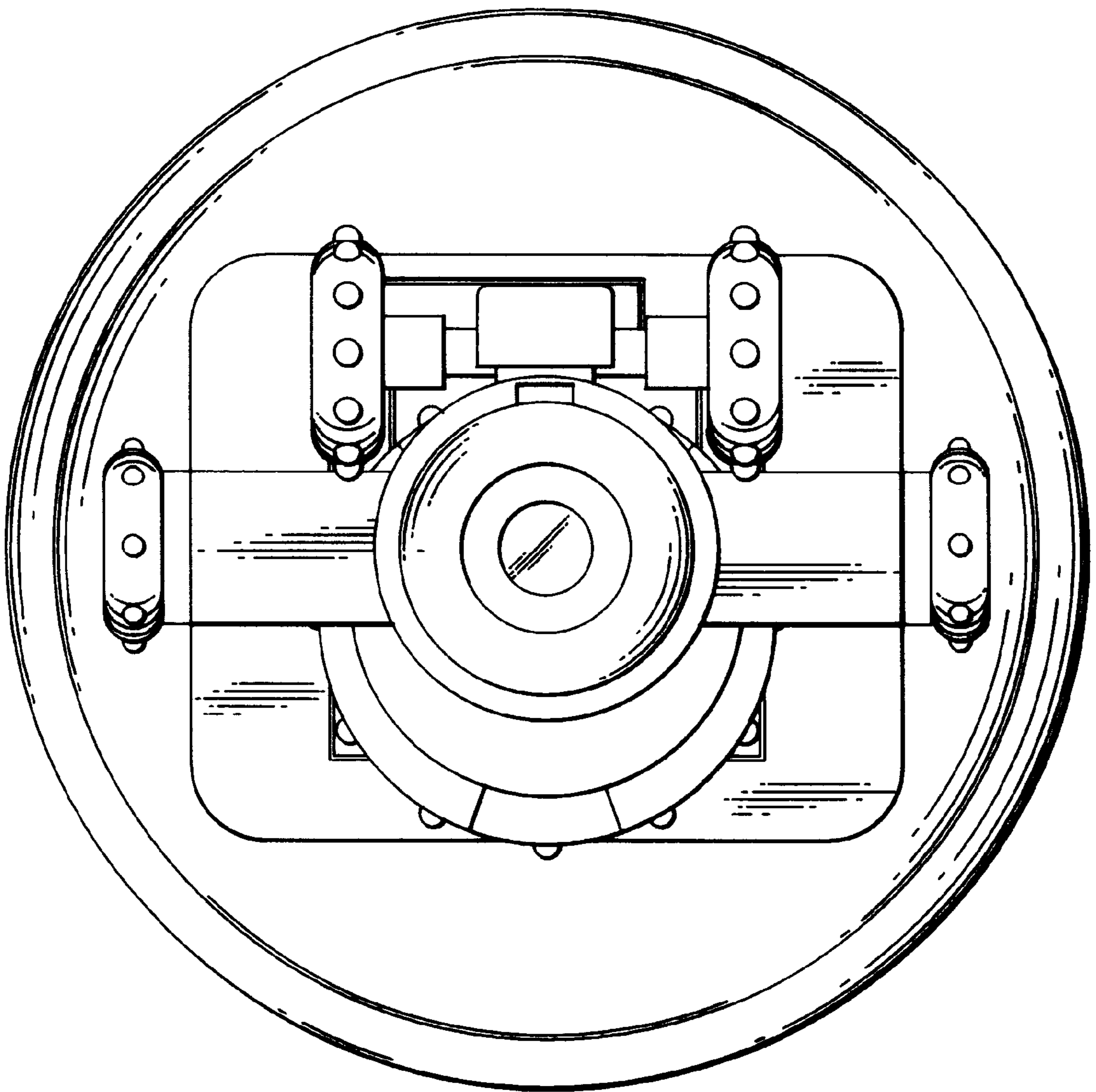


FIG. 8

