



US00D428028S

United States Patent [19]

Bell et al.

[11] Patent Number: Des. 428,028

[45] Date of Patent: ** Jul. 11, 2000

[54] ROTOR

D. 296,900 7/1988 Randolph D15/148
5,907,206 5/1999 Shiga et al. 310/156

[75] Inventors: Mike Bell, Leeds; Colin Richard Spooner, Wymondham; Brian Spooner, Surlingham, all of United Kingdom

Primary Examiner—Antoine Duval Davis
Attorney, Agent, or Firm—Calfee, Halter & Griswold LLP

[73] Assignee: Coin Controls Limited, Oldham, United Kingdom

[57] CLAIM

The ornamental design for a rotor, as shown.

[**] Term: 14 Years

DESCRIPTION

[21] Appl. No.: 29/103,071

FIG. 1 is a top isometric view of our rotor.
FIG. 2 is a bottom isometric view of our rotor.
FIG. 3 is a top elevational view of the rotor shown in FIG. 1.
FIG. 4 is a bottom elevational view of our rotor.
FIG. 5 is a side view of the rotor shown in FIG. 3 in the direction 5—5.
FIG. 6 is a side view of the rotor shown in FIG. 3 in the direction 6—6.
FIG. 7 is a side view of the rotor shown in FIG. 3 in the direction 7—7.
FIG. 8 is a side view of the rotor shown in FIG. 3 in the direction 8—8.
FIG. 9 is a sectional view of the rotor shown in FIG. 3 in the direction 9—9.
FIG. 10 is a sectional view of the rotor shown in FIG. 3 in the direction 10—10; and,
FIG. 11 is a sectional view of the rotor shown in FIG. 3 in the direction 11—11.

[22] Filed: Apr. 7, 1999

[30] Foreign Application Priority Data

Oct. 13, 1998 [GB] United Kingdom 2078343

[51] LOC (7) Cl. 15-09

[52] U.S. Cl. D15/149

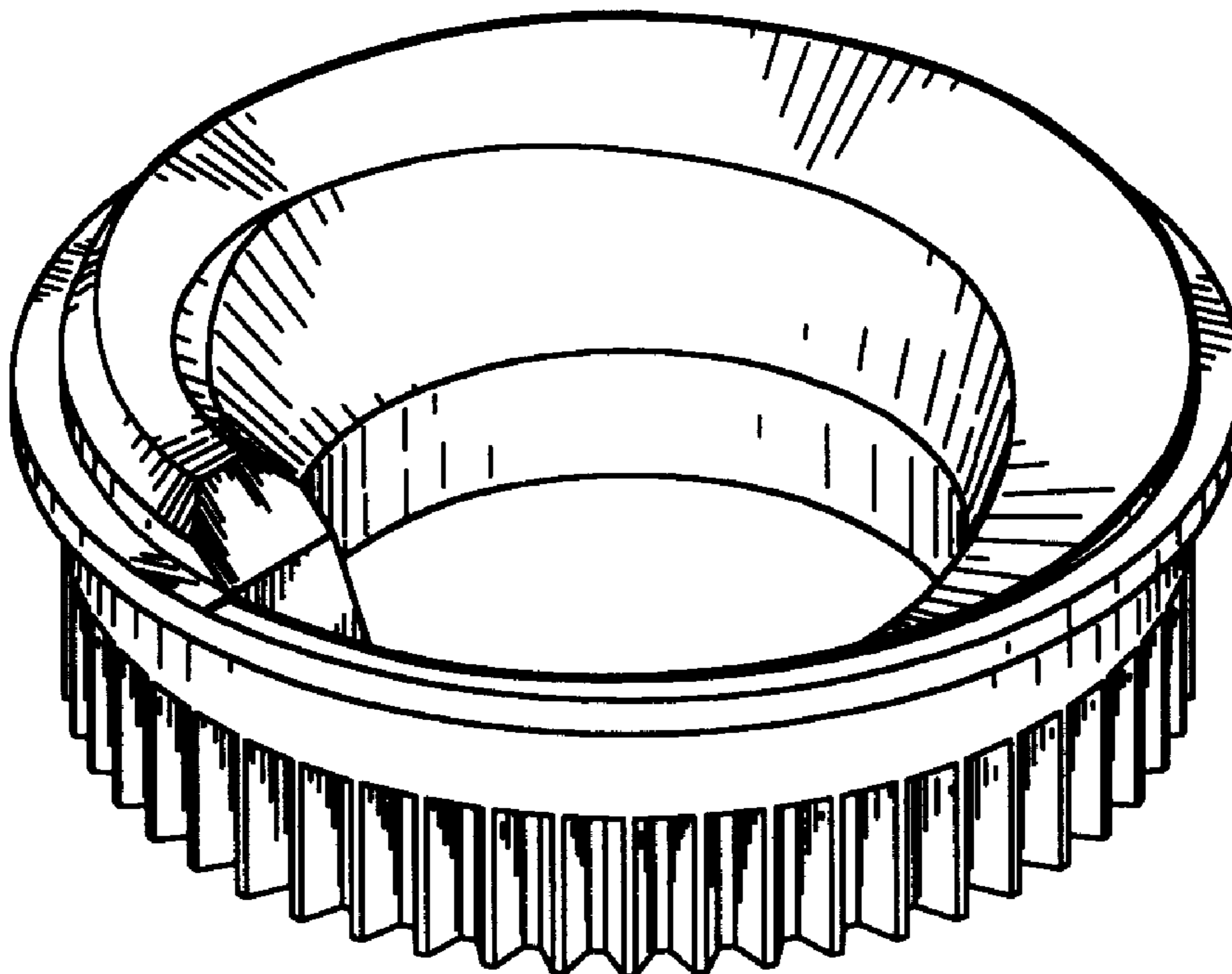
[58] Field of Search D15/149; 277/411, 277/412, 351, 355, 565; 310/88-91, 101, 43, 67 R, 42, 64 F, 156, 216; 453/57; 318/778, 782, 810, 811; 324/165, 174, 178, 207.22, 207.25; 340/672; 341/6, 15; 378/127, 132; 361/23, 31, 33; 384/132; 418/259, 107, 201.1

[56] References Cited

U.S. PATENT DOCUMENTS

D. 118,168 12/1939 Nassimene D15/149

1 Claim, 2 Drawing Sheets



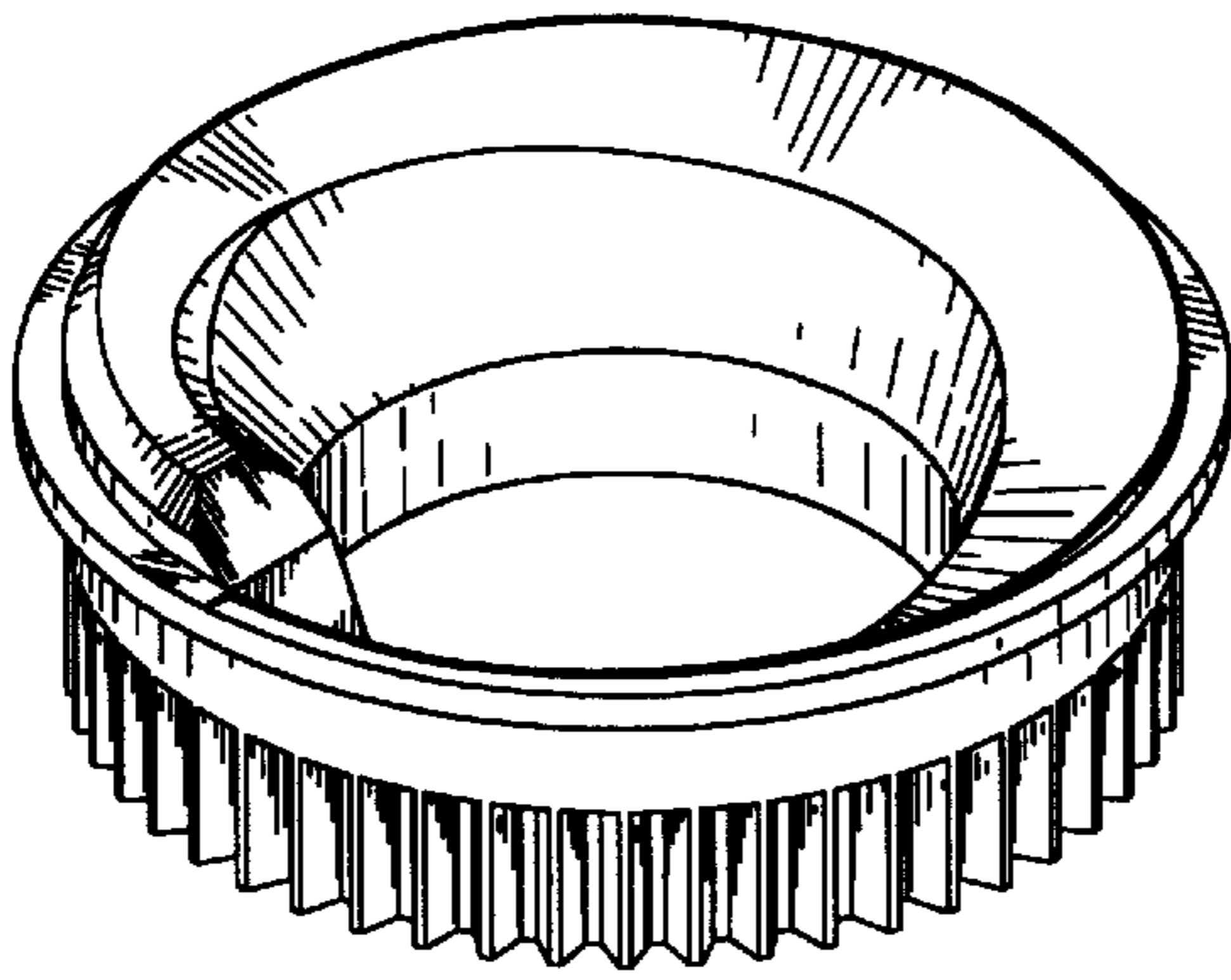


Fig.1

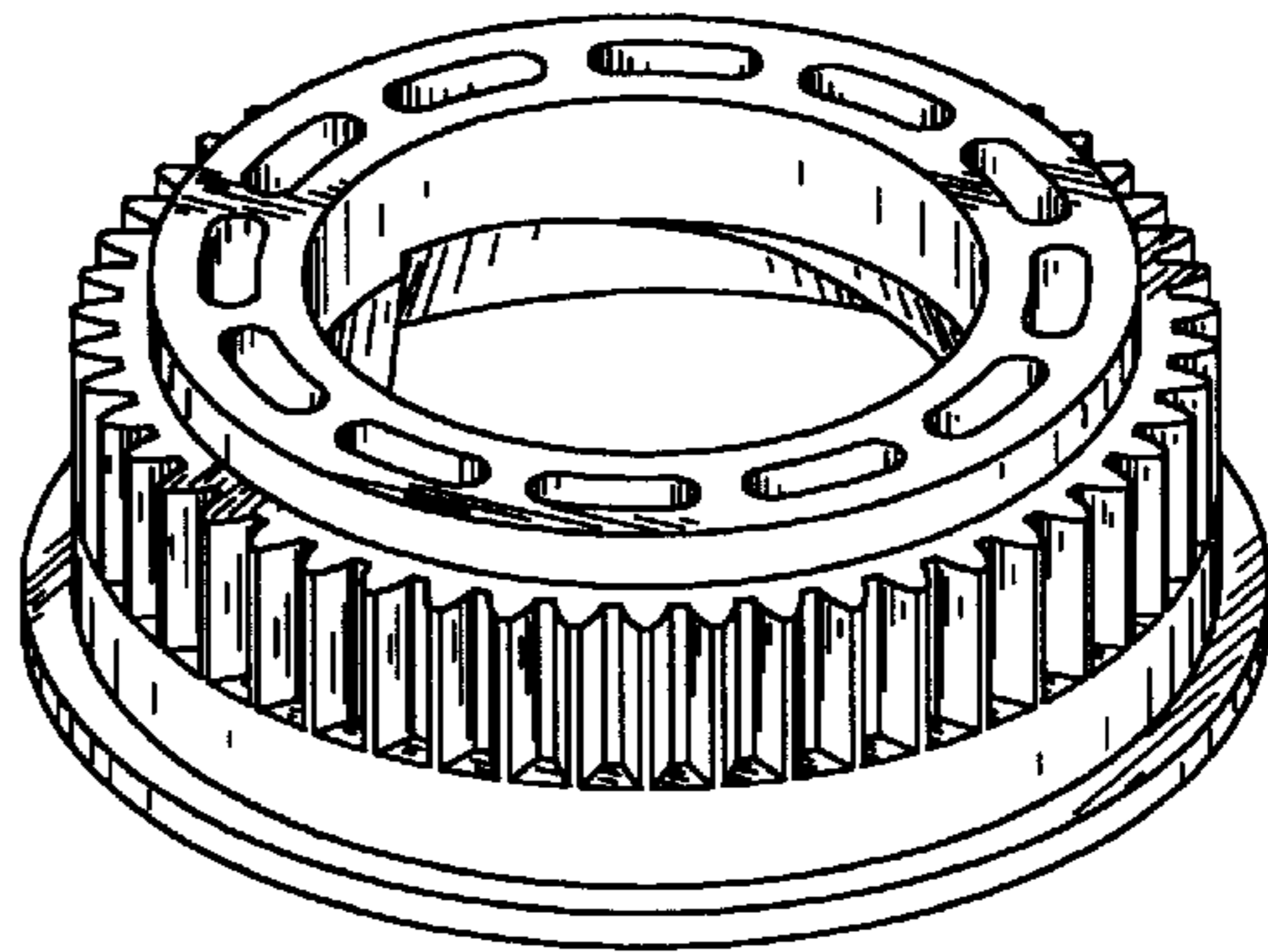


Fig.2

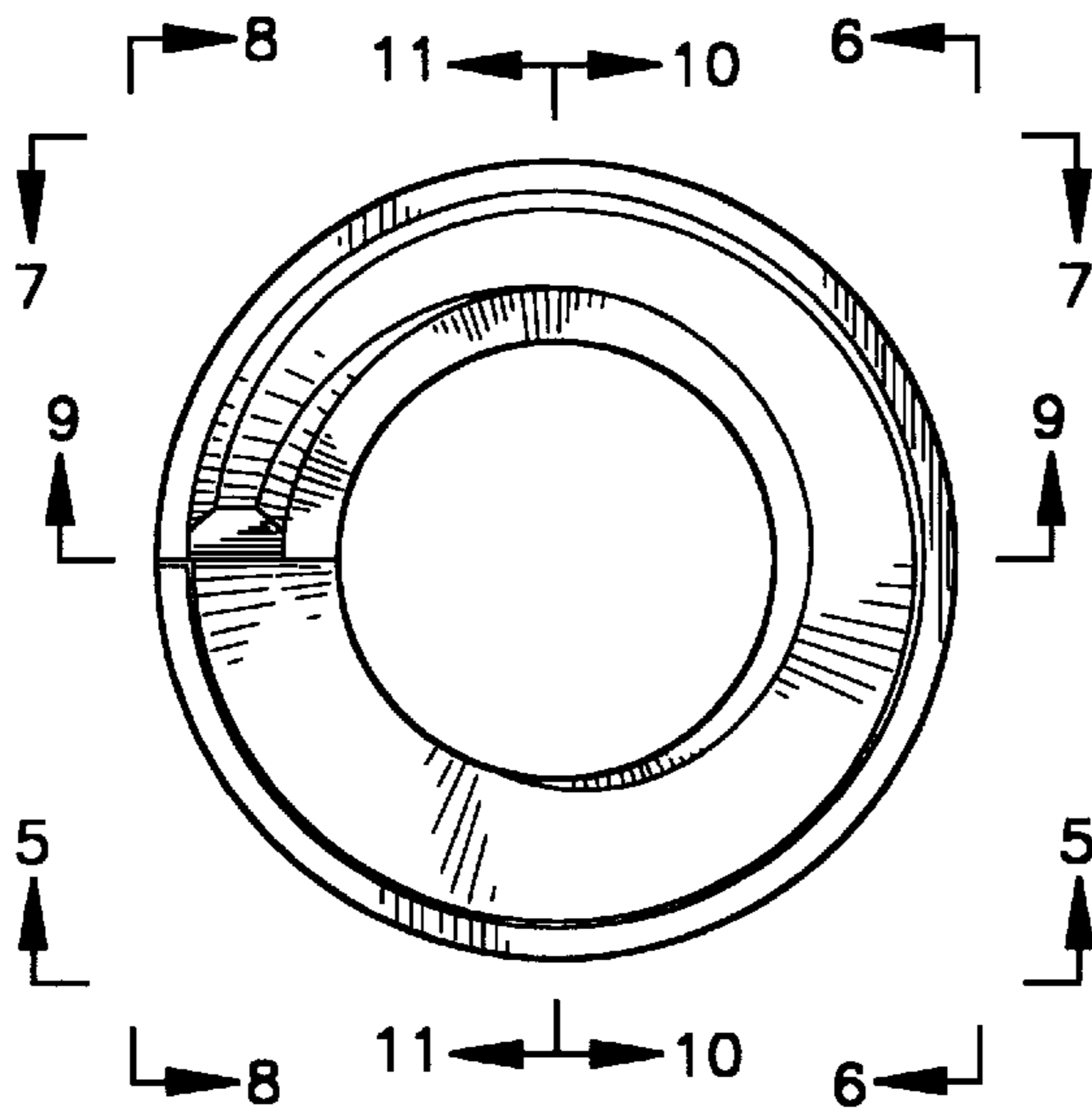


Fig.3

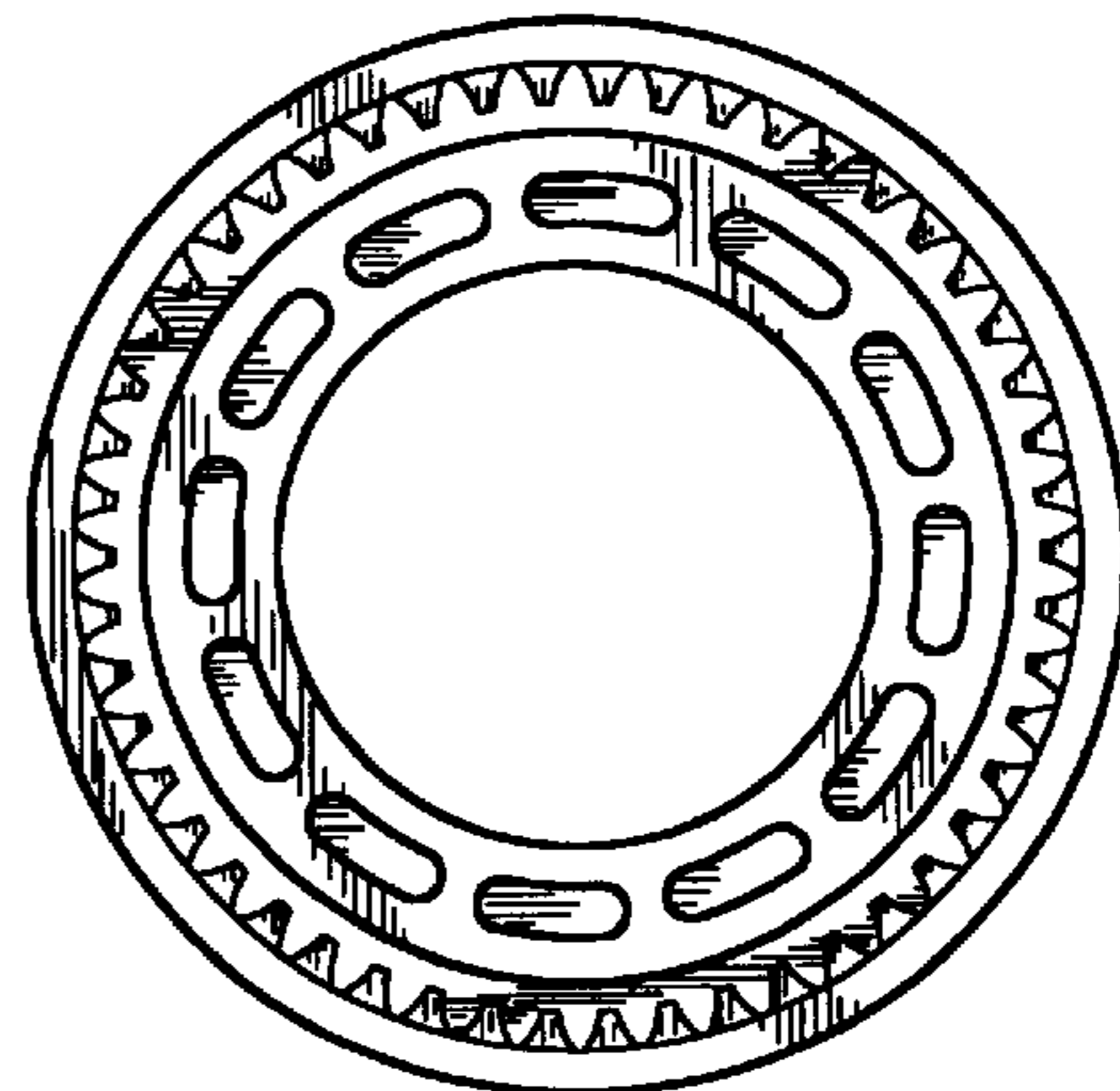


Fig.4

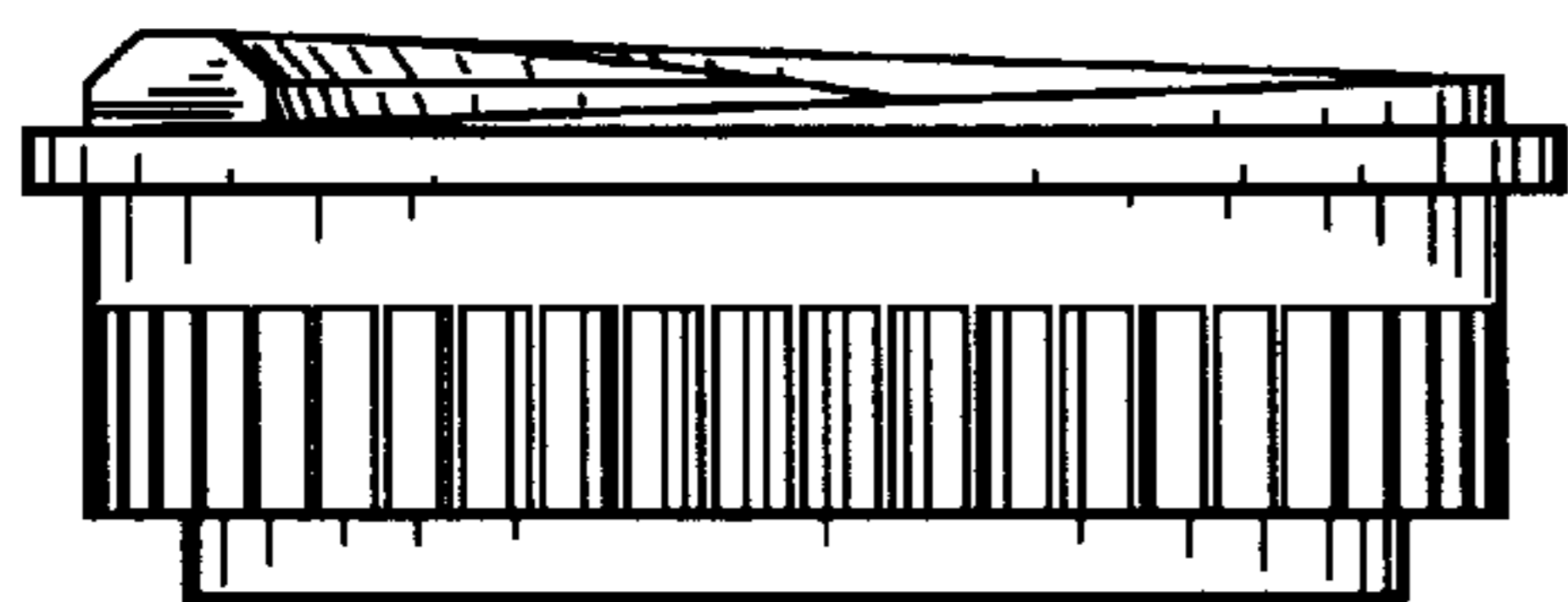


Fig.5

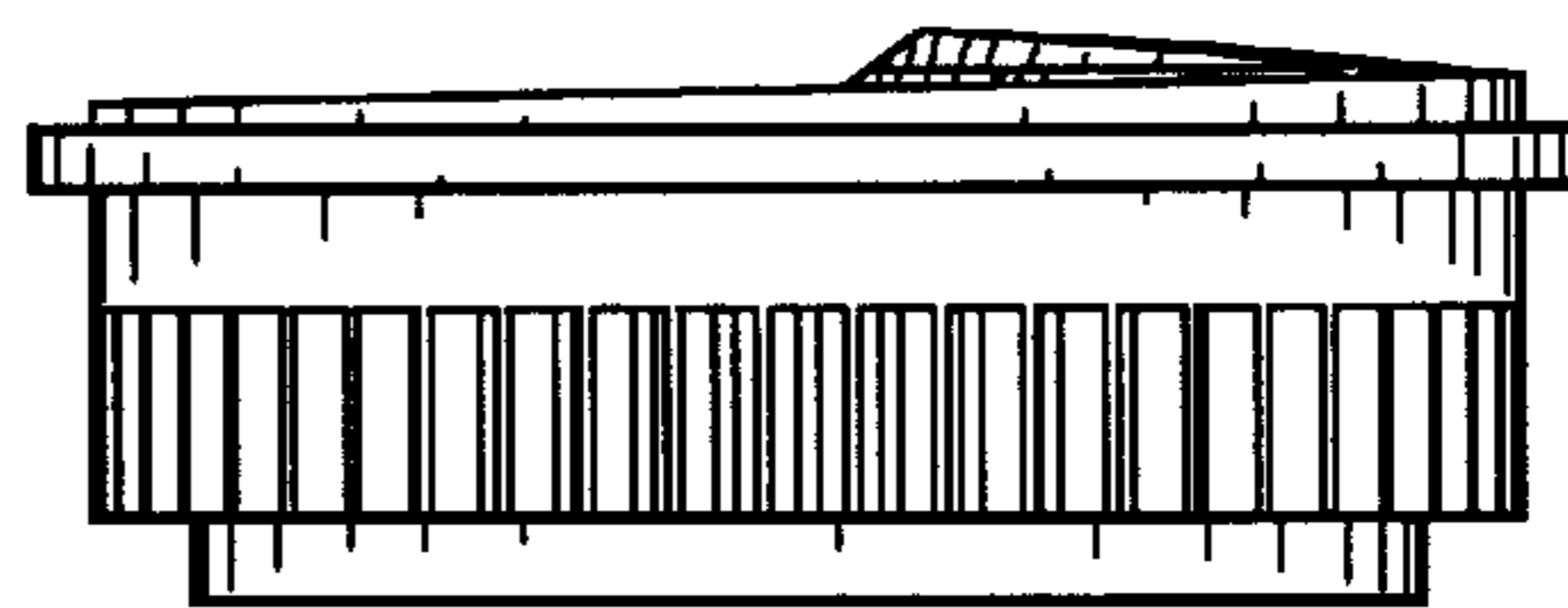


Fig.6

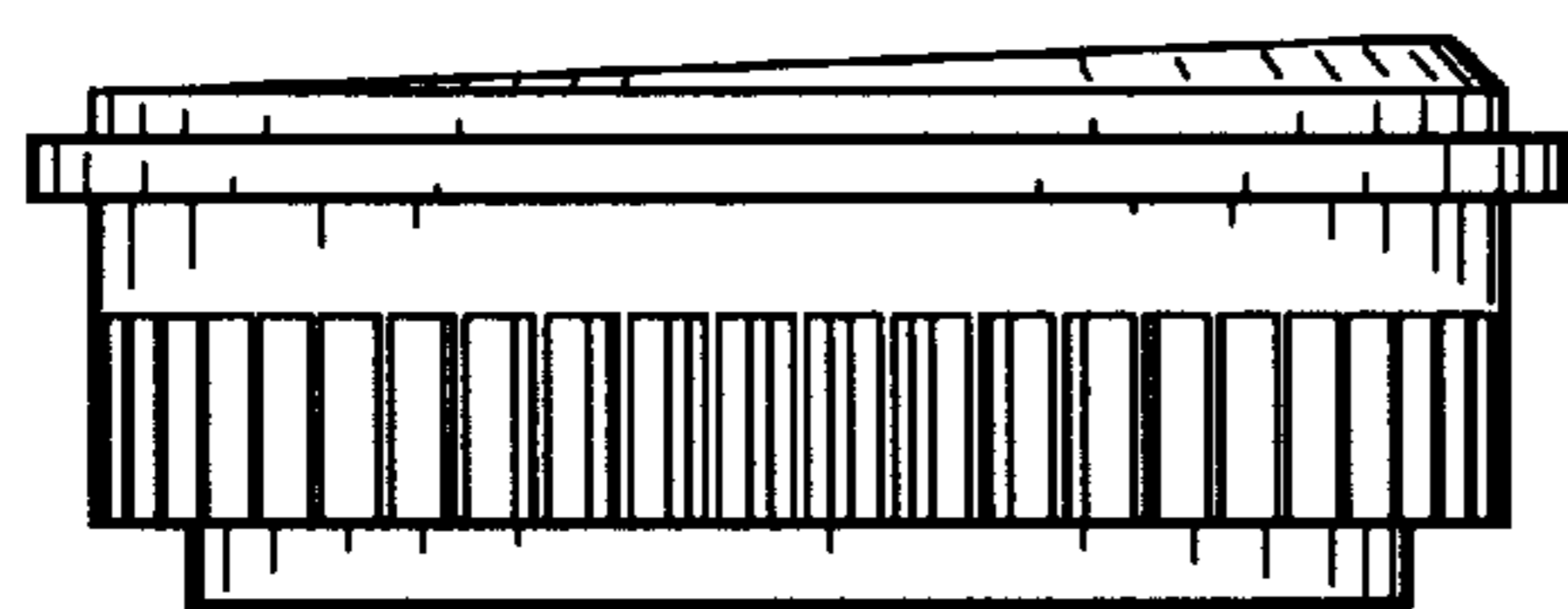


Fig.7

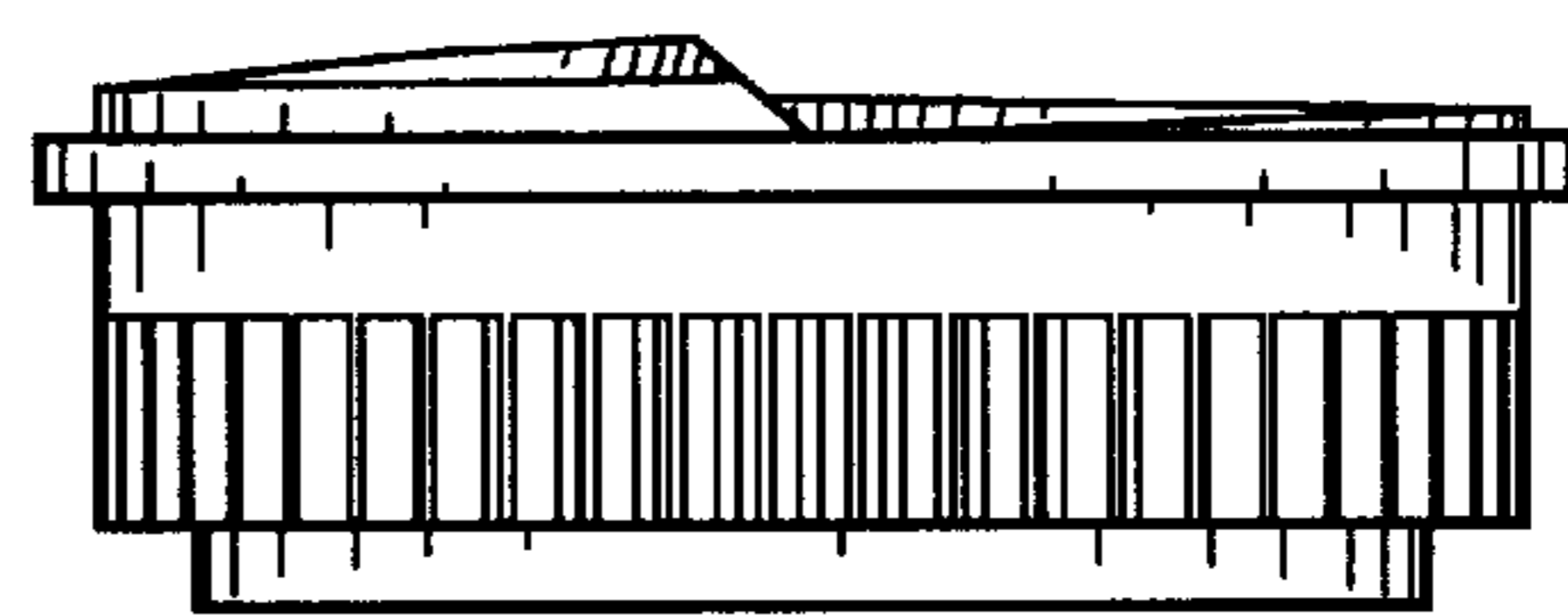


Fig.8

Fig.9

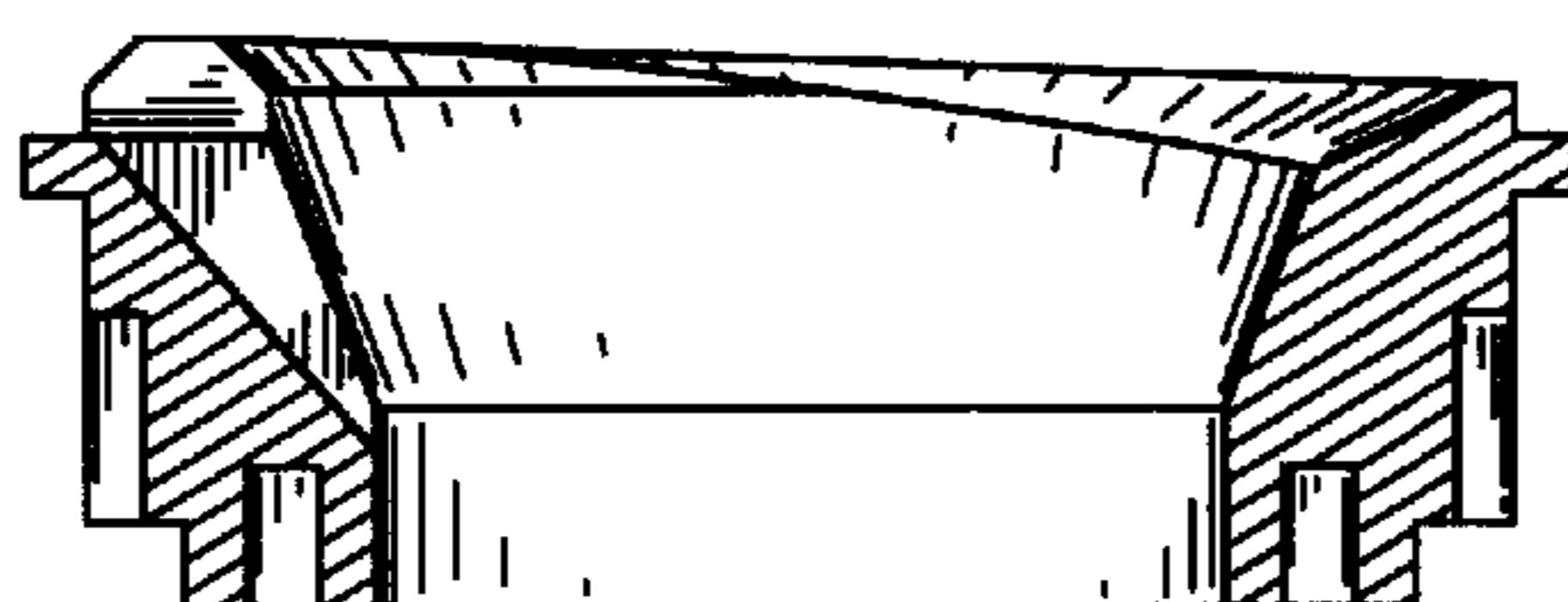


Fig.10



Fig.11

