



US00D428027S

United States Patent [19]
Kouvelis

[11] **Patent Number: Des. 428,027**
[45] **Date of Patent: ** Jul. 11, 2000**

[54] **DRILL BIT**

[75] Inventor: **Thomas Kouvelis**, Antioch, Ill.

[73] Assignee: **Kouvato, Inc.**, LaGrange, Ill.

[**] Term: **14 Years**

[21] Appl. No.: **29/112,252**

[22] Filed: **Oct. 13, 1999**

[51] **LOC (7) Cl.** **15-09**

[52] **U.S. Cl.** **D15/139**

[58] **Field of Search** D15/138, 139;
408/219-227, 240

[56] **References Cited**

U.S. PATENT DOCUMENTS

2,740,974	4/1956	Lewis	408/219
4,090,808	5/1978	Nannen	408/219
5,037,251	8/1991	Roth	408/219
5,387,059	2/1995	Borzemsky	408/219
5,399,051	3/1995	Aken et al.	408/219
5,779,404	7/1998	Jore	408/240

Primary Examiner—Antoine Duval Davis

Attorney, Agent, or Firm—Greer, Burns & Crain, Ltd.

[57] **CLAIM**

The ornamental design for a drill bit, as shown and described.

DESCRIPTION

FIG. 1 is a perspective view of a first embodiment of the present new design of a drill bit;
 FIG. 2 is a right side elevational view of the first embodiment, the left side and top and bottom views being identical;
 FIG. 3 is a front end view thereof;
 FIG. 4 is a rear end view thereof;
 FIG. 5 is a perspective view of a second embodiment of the present new design of a drill bit;
 FIG. 6 is a right side elevational view of the second embodiment, the left side, top and bottom views being identical;
 FIG. 7 is a front end view of the drill bit of FIG. 5; and,
 FIG. 8 is a rear view thereof.

The broken lines in FIGS. 5 and 6 showing the flute portion of the drill bit form no part of the claimed design for the second embodiment.

1 Claim, 2 Drawing Sheets

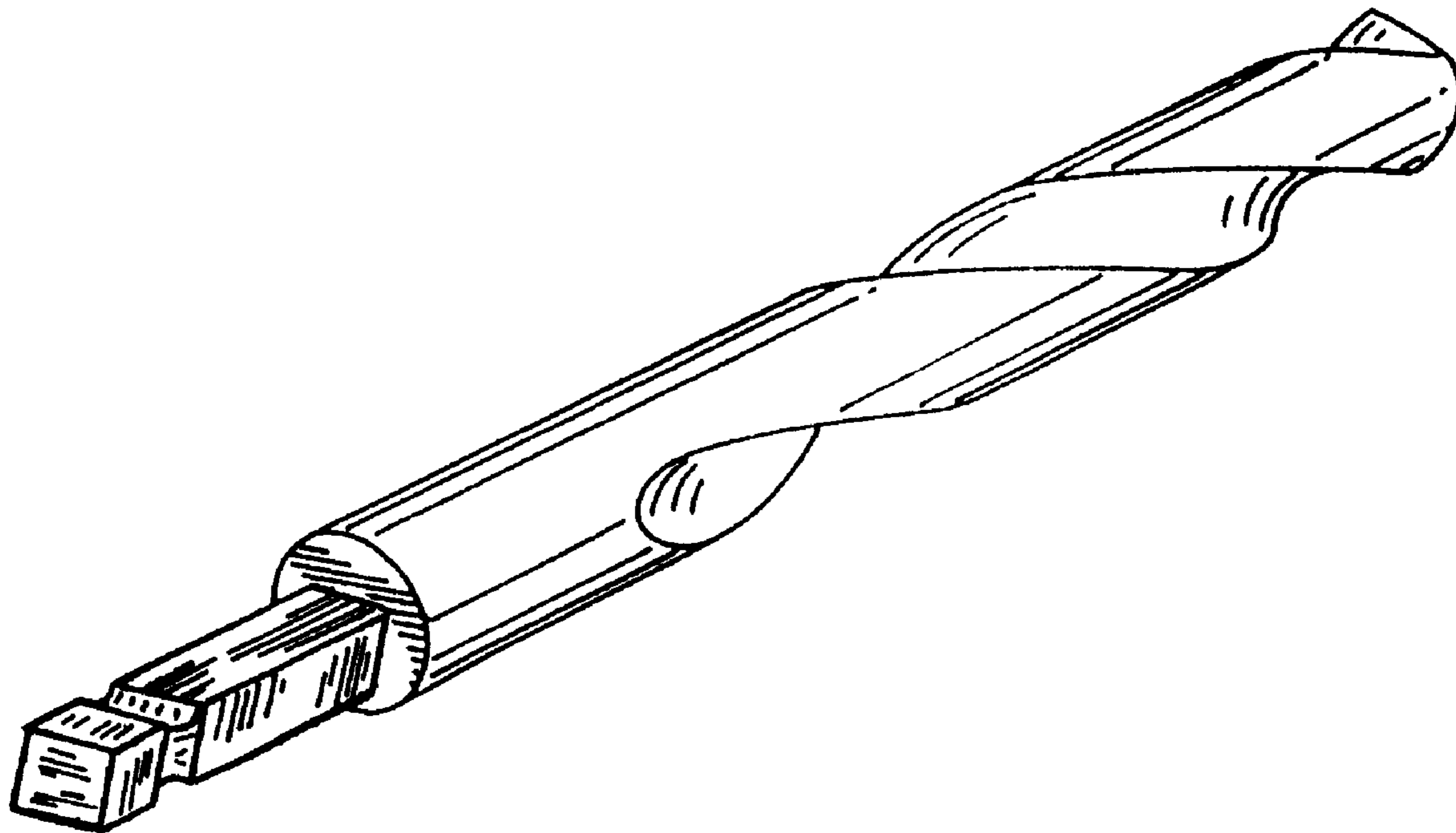


FIG. 1

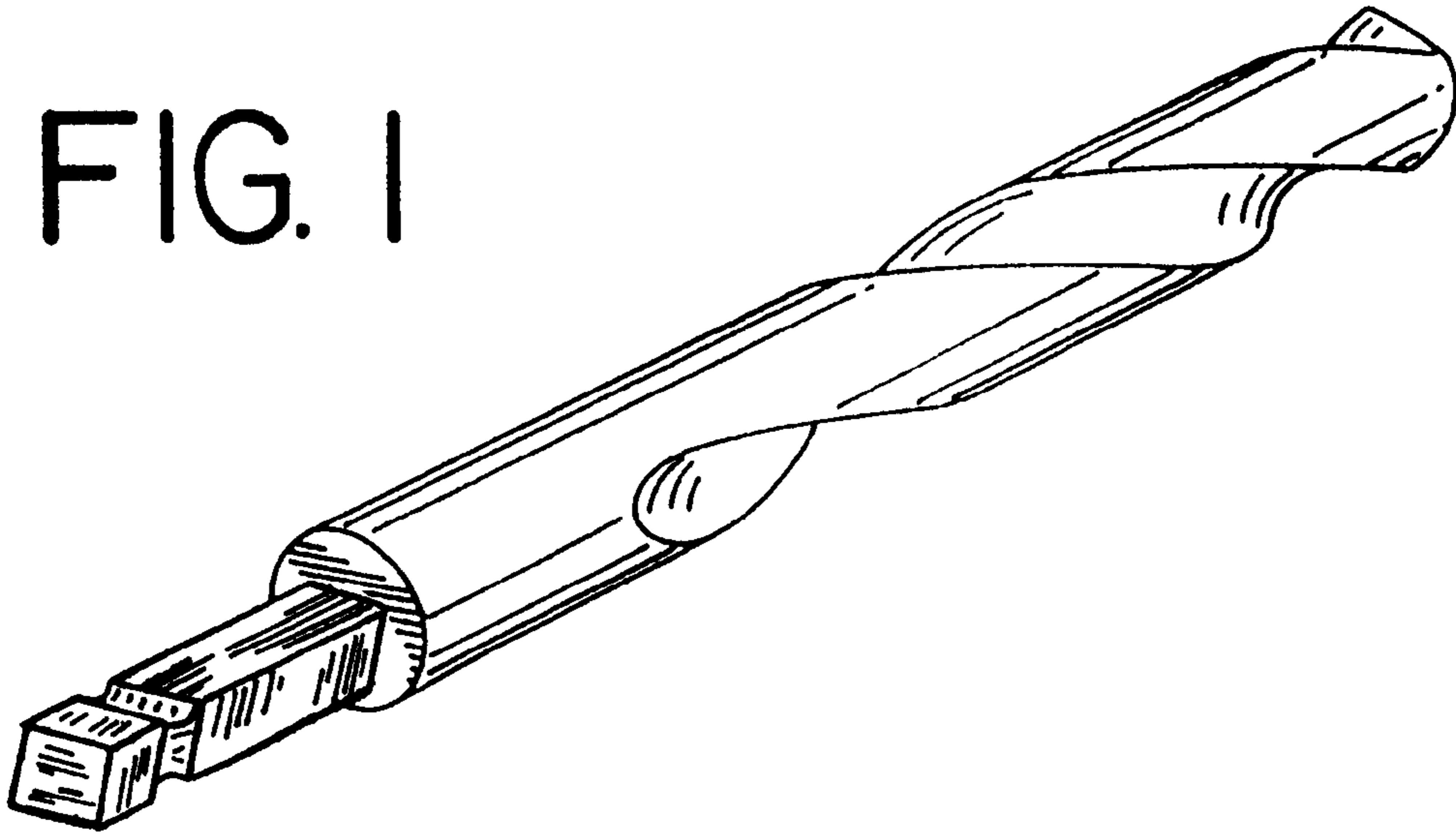


FIG. 2

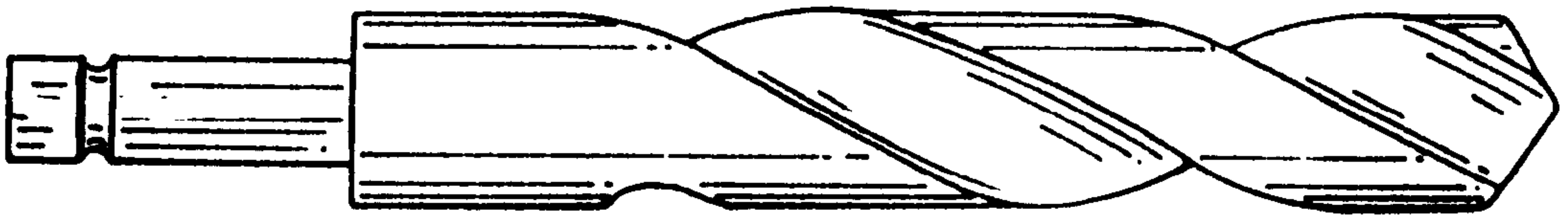


FIG. 3

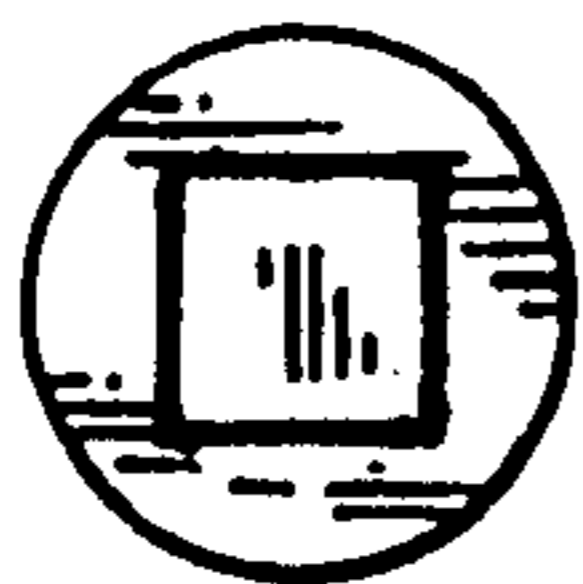


FIG. 4



FIG. 5

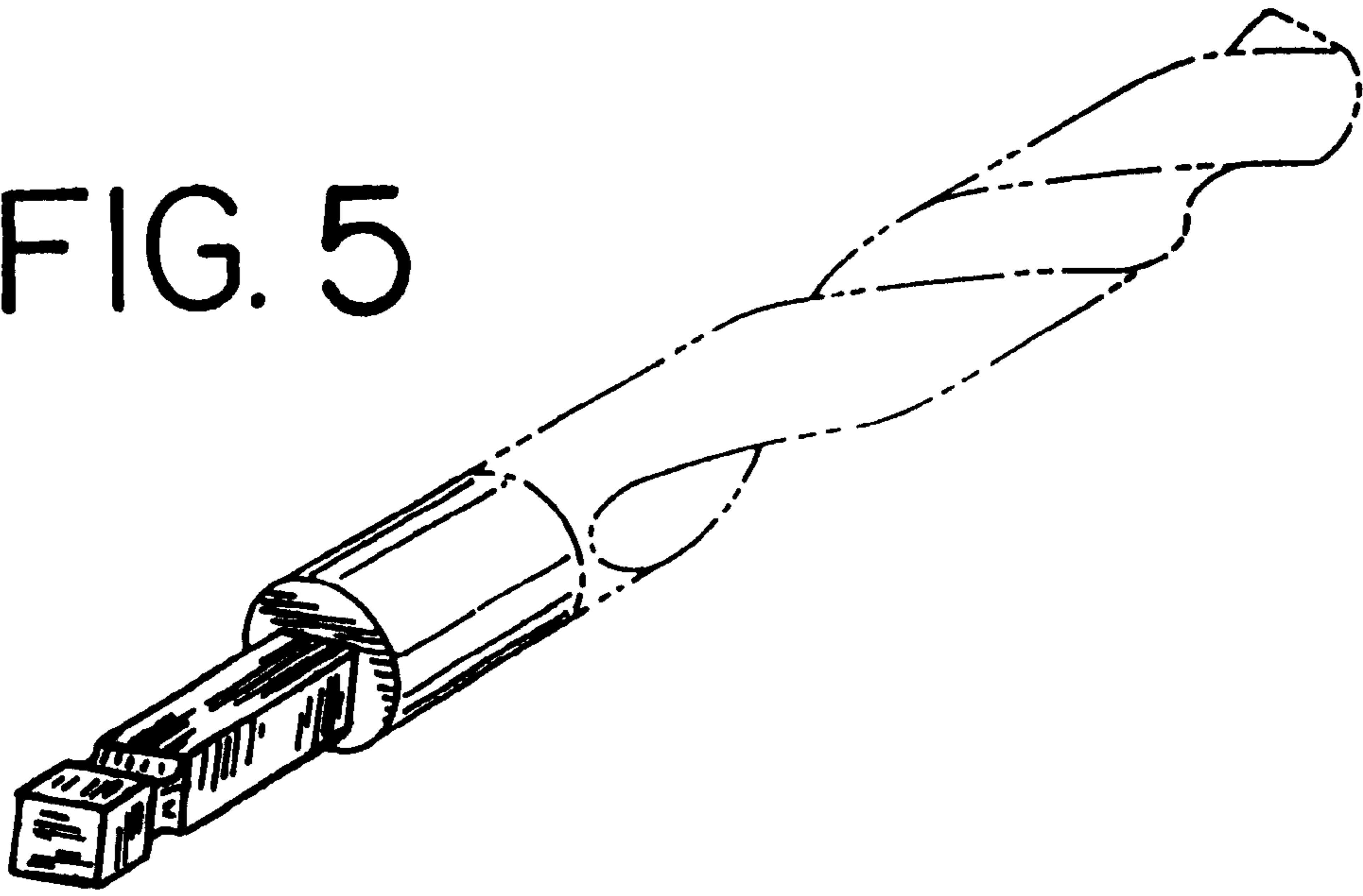


FIG. 6

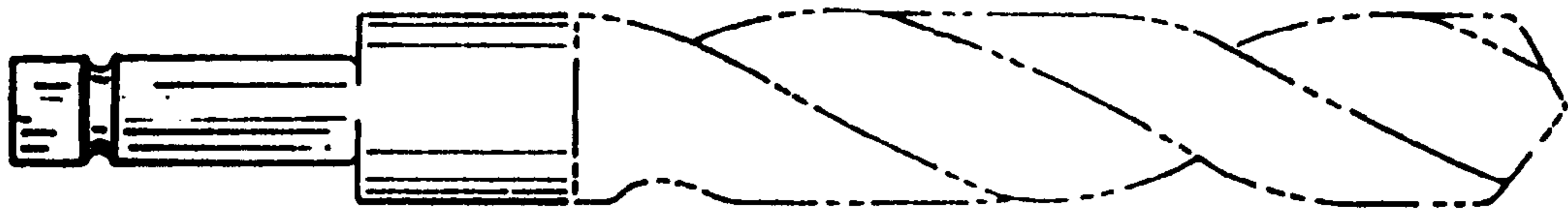
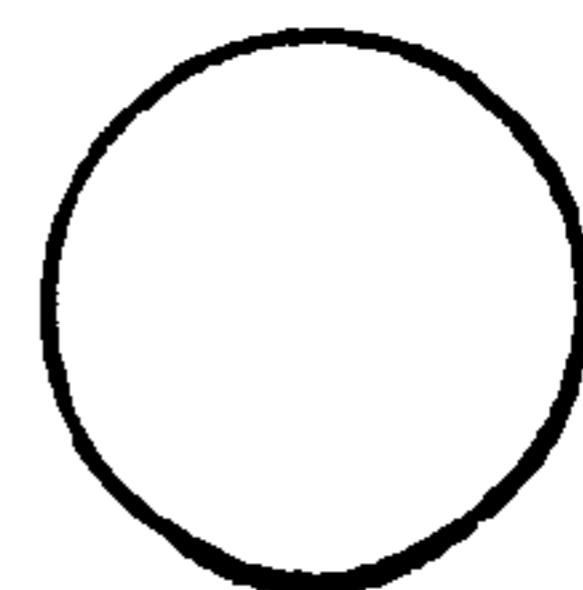


FIG. 7



FIG. 8



UNITED STATES PATENT AND TRADEMARK OFFICE
CERTIFICATE OF CORRECTION

PATENT NO. : Des 428,027
DATED : July 11, 2000
INVENTOR(S) : Thomas Kouvelis

Page 1 of 1

It is certified that error appears in the above-identified patent and that said Letters Patent is hereby corrected as shown below:

Title page.

Under [56] **References Cited**, U.S. PATENT DOCUMENTS, please insert the following:

<u>PATENT NO.</u>	<u>PATENTEE</u>	<u>ISSUE DATE</u>
-- D257511	Zahn	11/1980
D347848	Maynard, Jr.	06/1994
D390239	Malin	02/1998
D408424	Schmotzer	04/1999
4,210,215	Peetz et al.	07/1980
4,789,276	Clarke	12/1988
5,387,059	Borzemsky	02/1995
5,466,100	Ahluwalia	11/1995
5,782,636	Armstrong et al.	07/1998
5,797,711	Mulgrave et al.	08/1998
5,842,267	Biederman et al.	12/1998 --

Signed and Sealed this

Nineteenth Day of February, 2002

Attest:



Attesting Officer

JAMES E. ROGAN
Director of the United States Patent and Trademark Office