



US00D428025S

United States Patent [19]

[11] **Patent Number: Des. 428,025**

Miyake et al.

[45] **Date of Patent: ** Jul. 11, 2000**

[54] **ELECTRIC DISCHARGE MACHINE**

Primary Examiner—Antoine Duval Davis
Attorney, Agent, or Firm—Oblon, Spivak, McClelland, Maier & Neustadt, P.C.

[75] Inventors: **Takanori Miyake; Kenta Kawahara; Akihito Adachi**, all of Tokyo, Japan

[57] **CLAIM**

[73] Assignee: **Mitsubishi Denki Kabushiki Kaisha**, Tokyo, Japan

The ornamental design for an electric discharge machine, as shown and described.

[**] Term: **14 Years**

DESCRIPTION

[21] Appl. No.: **29/105,257**

FIG. 1 is a front elevational view of an electric discharge machine, showing our new design;

[22] Filed: **May 20, 1999**

FIG. 2 is a rear elevational view thereof;

[30] **Foreign Application Priority Data**

Dec. 22, 1998 [JP] Japan 10-37174

FIG. 3 is a top plan view thereof;

[51] **LOC (7) Cl.** **15-09**

FIG. 4 is a bottom plan view thereof;

[52] **U.S. Cl.** **D15/127**

FIG. 5 is a left side elevational view thereof, the right side being symmetrical to the left;

[58] **Field of Search** D15/127, 122;
219/69.11, 69.13, 69.18; 439/348

FIG. 6 is a front, top and left side perspective view thereof;

FIG. 7 is a front, top and left side perspective view thereof, with the cover opened; and,

[56] **References Cited**

U.S. PATENT DOCUMENTS

D. 286,407 10/1986 Itoh et al. D15/127

D. 388,103 12/1997 Gotou et al. D15/127

5,914,054 6/1999 Ito et al. 219/69.11

FIG. 8 is a front, top and left side perspective view thereof, showing the state in use.

The broken lines shown in FIG. 8 are for illustrative purposes only and form no part of the claimed invention.

1 Claim, 6 Drawing Sheets

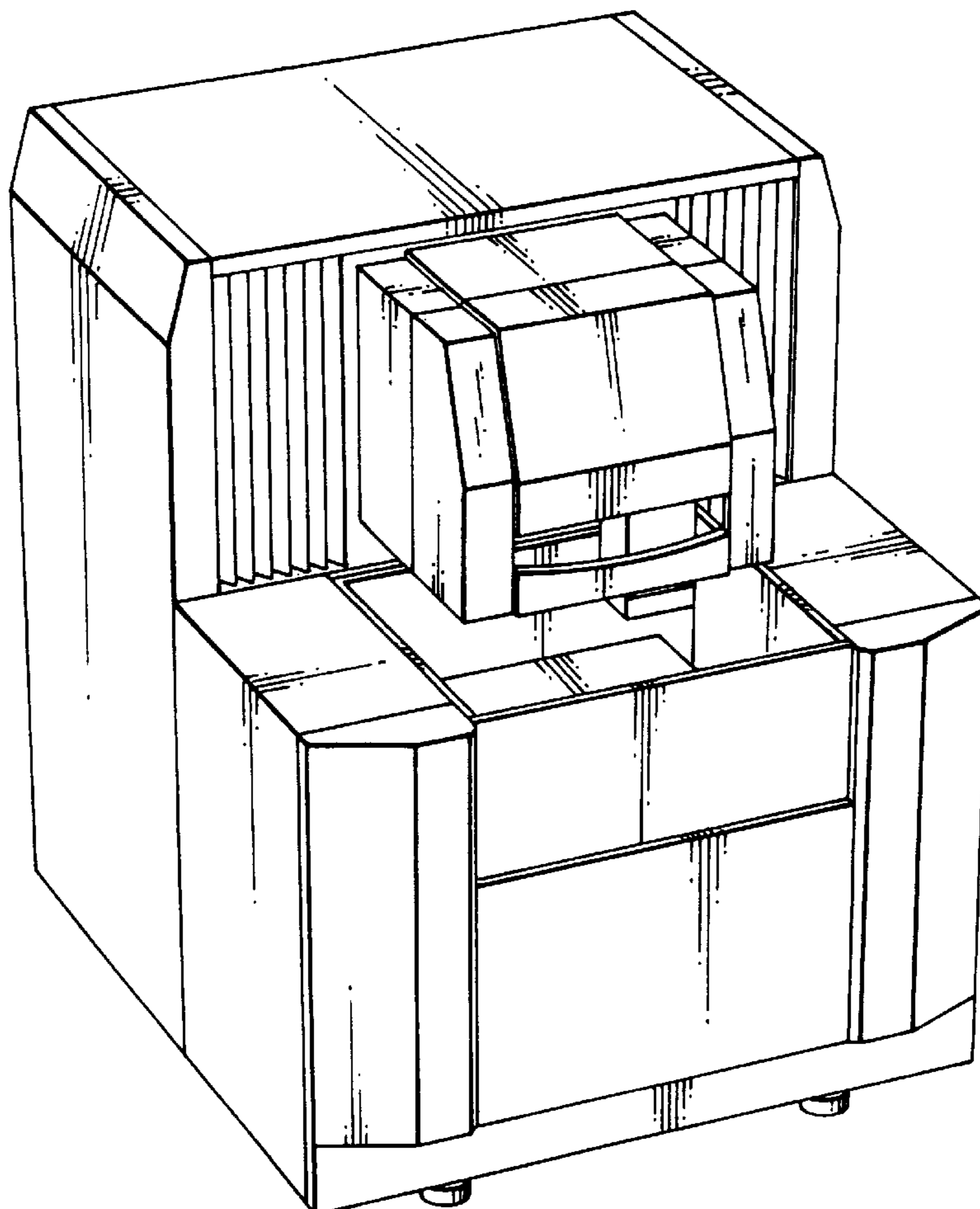


FIG. 1

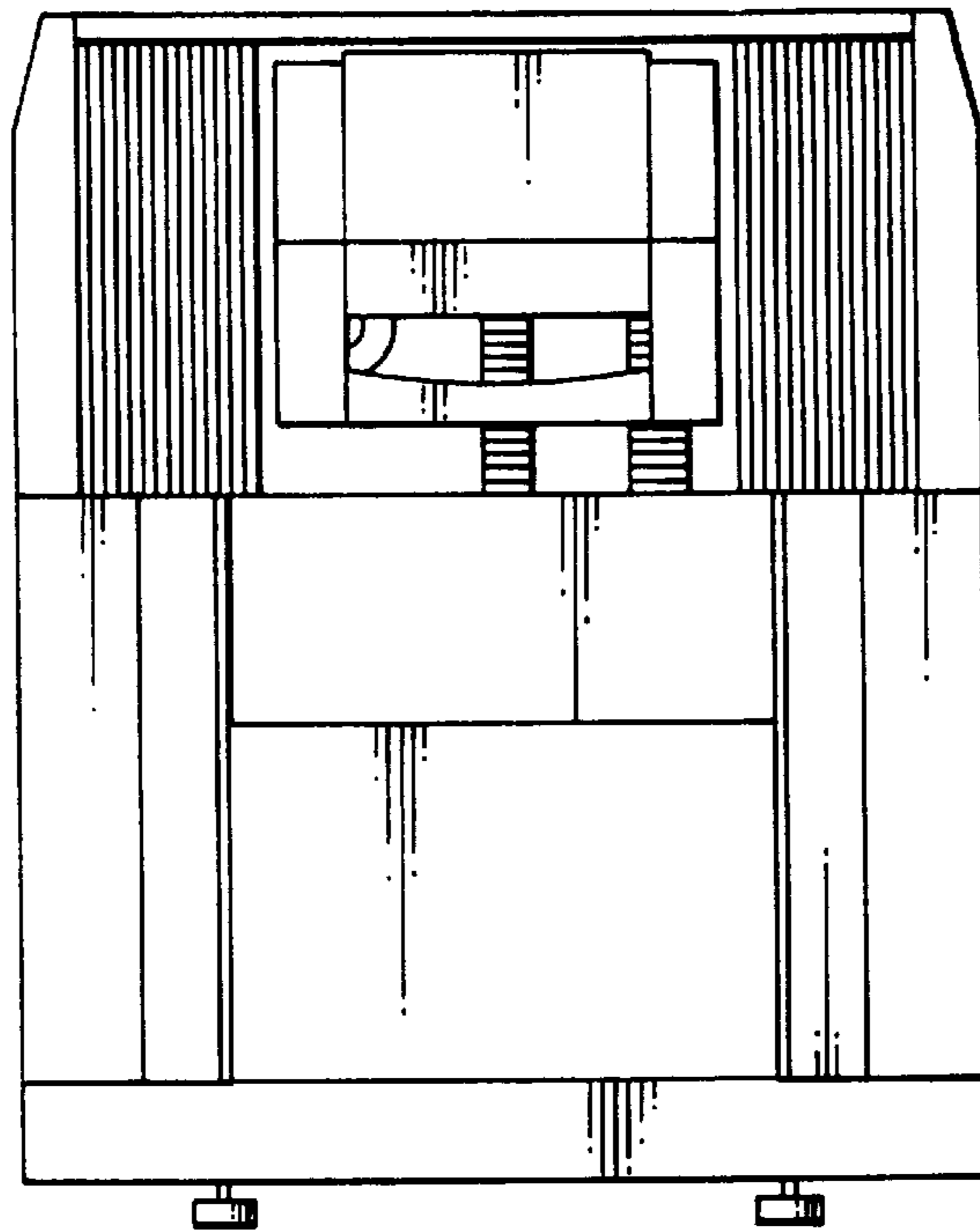


FIG. 2

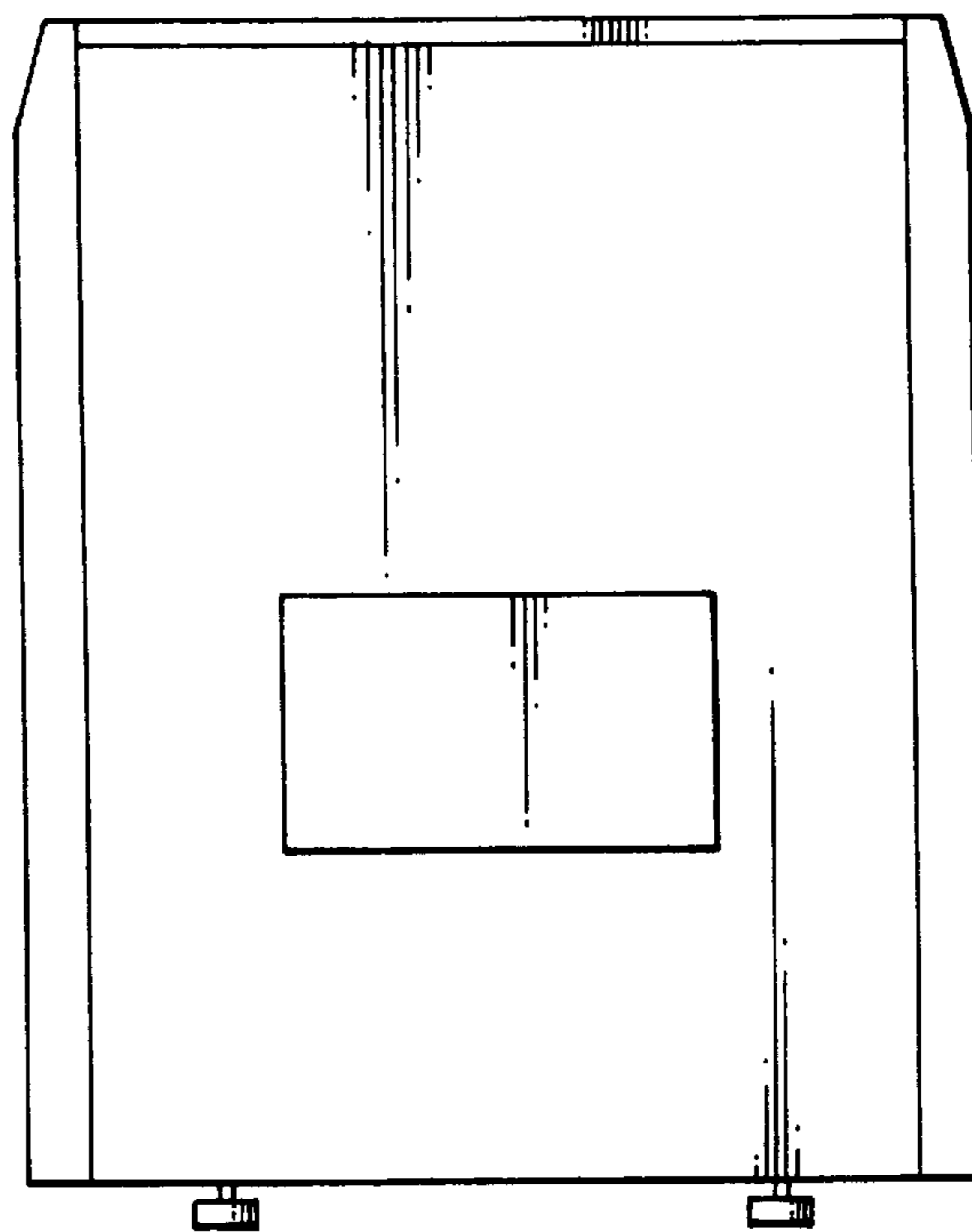


FIG. 3

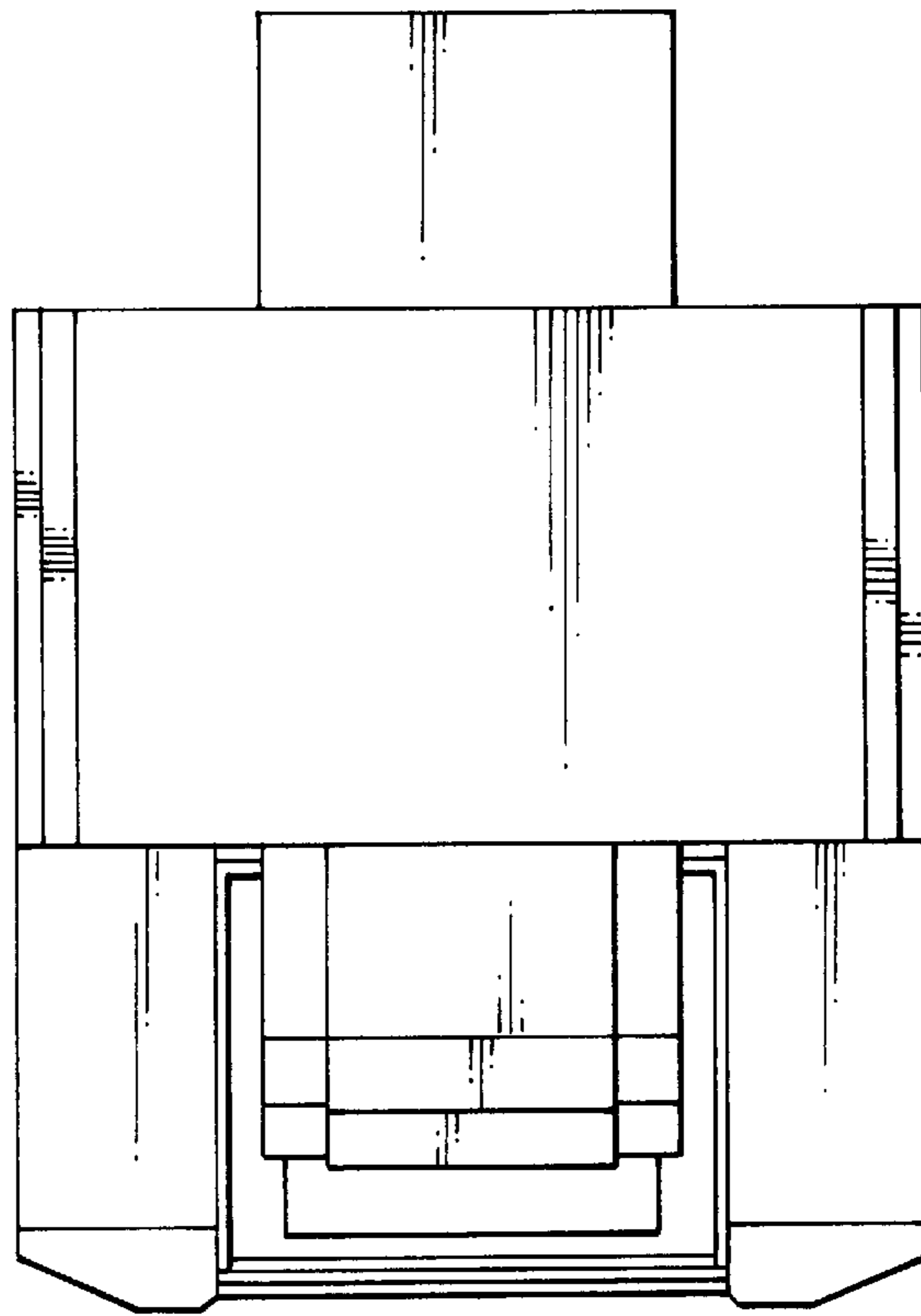


FIG. 4

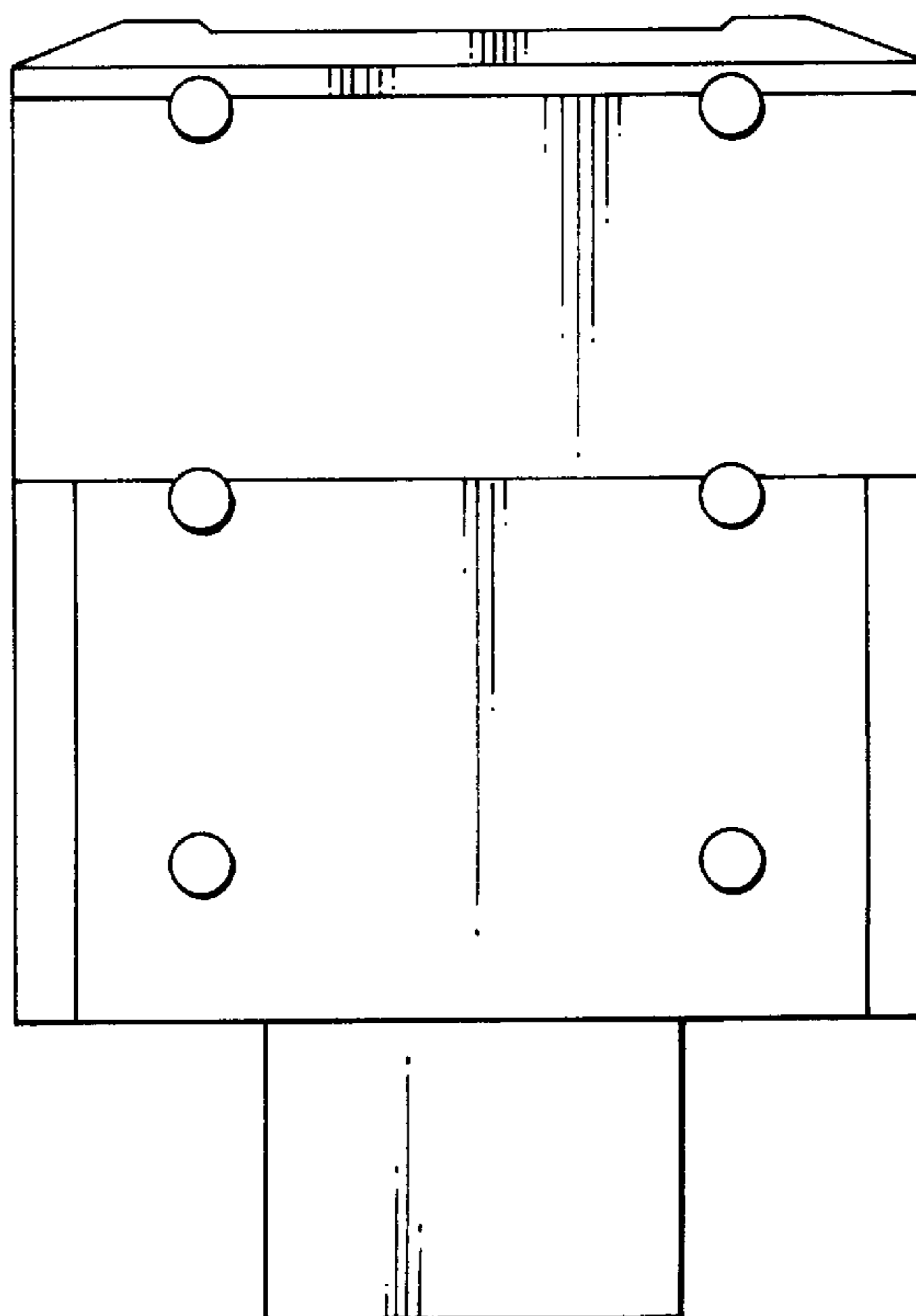


FIG. 5

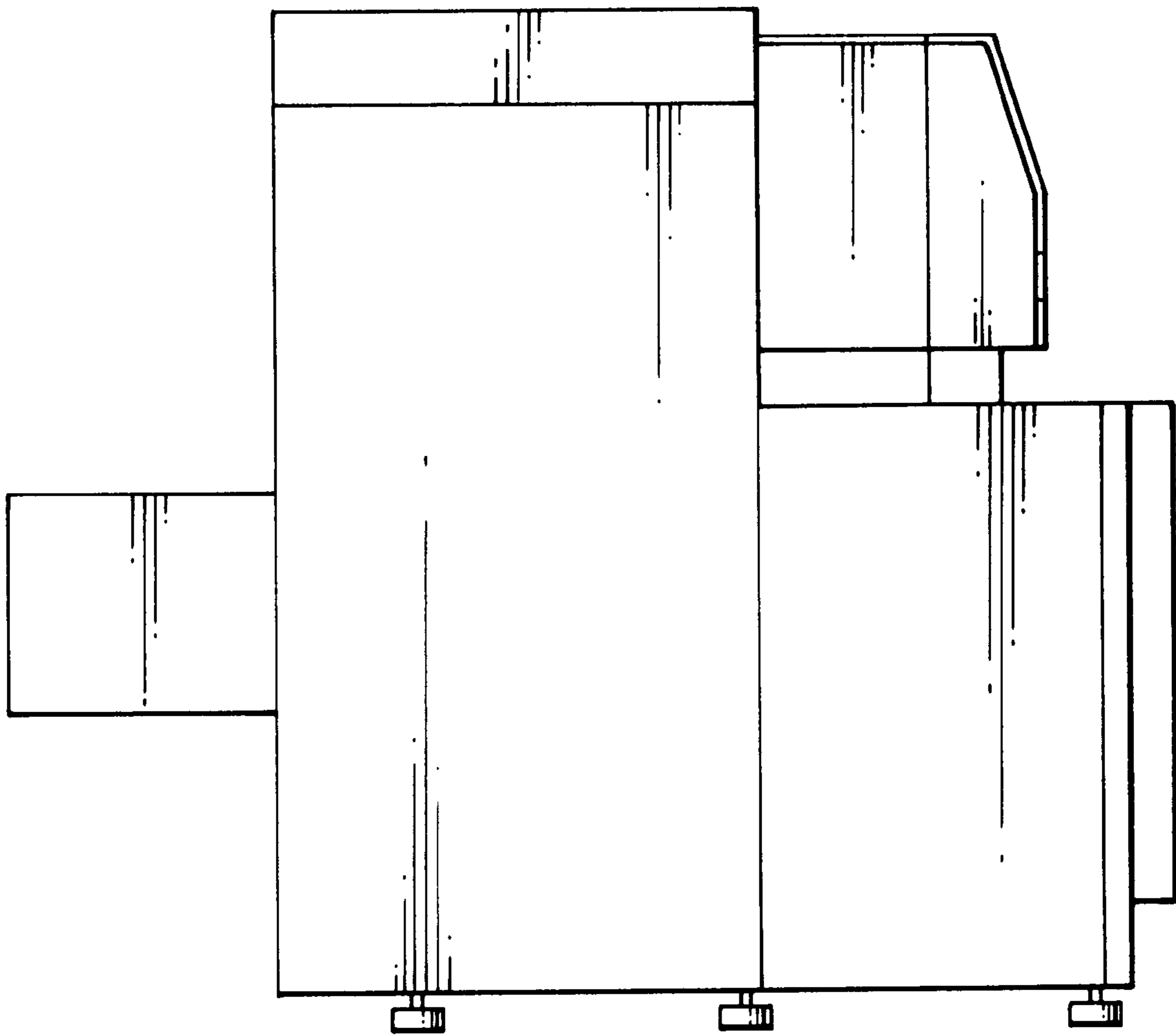


FIG. 6

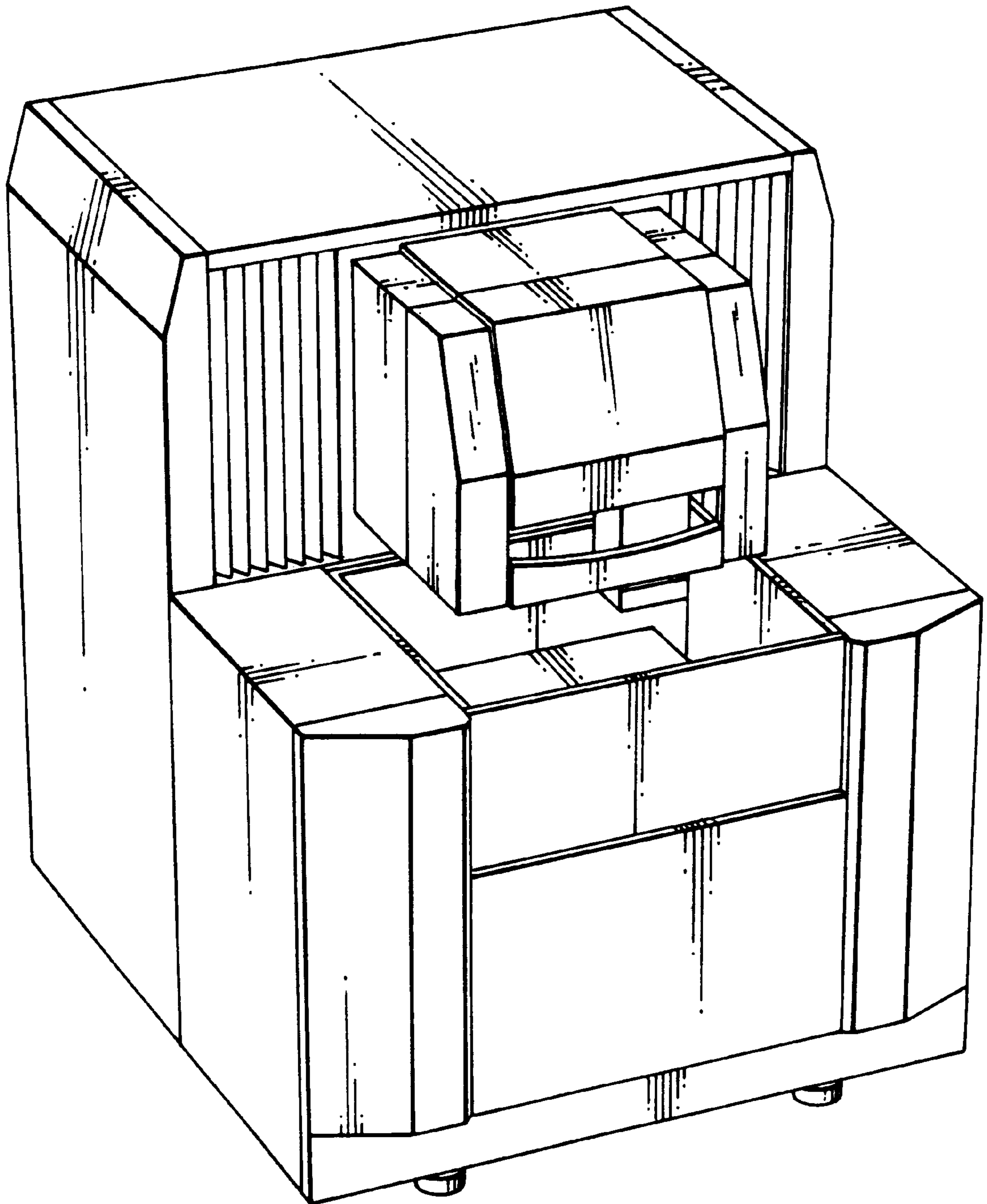


FIG. 7

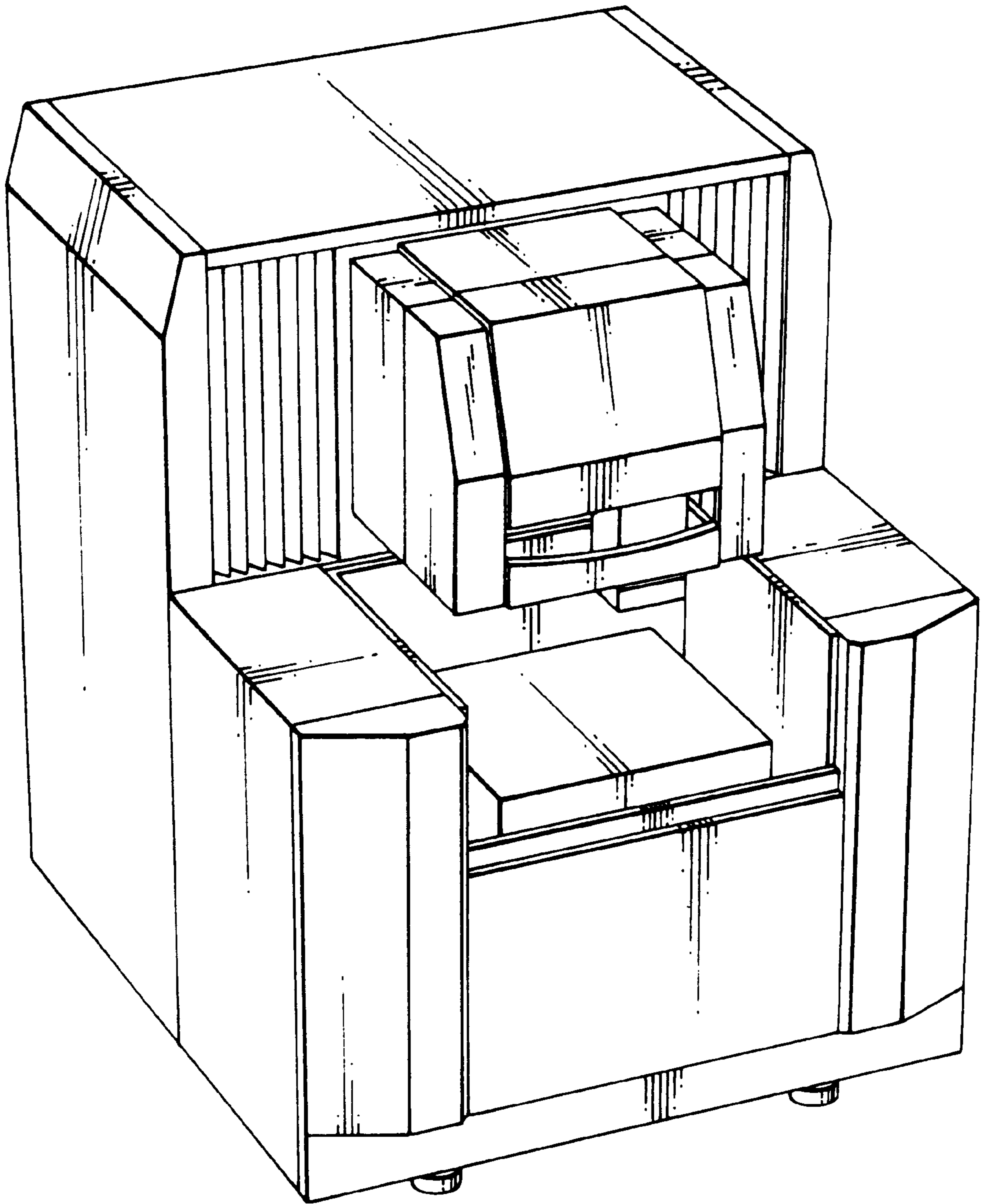


FIG. 8

