



US00D428023S

# United States Patent [19]

[11] **Patent Number: Des. 428,023**

**SurrIDGE et al.**

[45] **Date of Patent: \*\* Jul. 11, 2000**

[54] **OUTER SURFACE OF A HOOD**

[75] Inventors: **David Gayland SurrIDGE**, Garner, N.C.; **Bengt Ake Nestell**, Pottstown, Pa.

[73] Assignee: **Deere & Company**, Moline, Ill.

[\*\*] Term: **14 Years**

[21] Appl. No.: **29/105,295**

[22] Filed: **May 21, 1999**

[51] **LOC (7) Cl.** ..... **12-16**

[52] **U.S. Cl.** ..... **D15/31; D12/173**

[58] **Field of Search** ..... D12/1, 3, 131, D12/133, 173; D15/23, 31, 17, 28; 282/282, 28.5; 56/13.3, 13.4, 15.8, 15.9, 16.1, 320.1, 320.2, 202

[56] **References Cited**

**U.S. PATENT DOCUMENTS**

D. 337,968	8/1993	Kimball	.....	D12/1
D. 371,526	7/1996	Verduyn et al.	.....	D12/86
D. 383,470	9/1997	Westimayer et al.	.....	D15/31
D. 392,981	3/1998	Smith	.....	D15/15
D. 395,659	6/1998	Moiseve	.....	D15/17
D. 410,012	5/1999	Goebert	.....	D15/31
D. 410,931	6/1999	Allen	.....	D15/31
D. 414,784	10/1999	Maedu	.....	D15/17
4,700,534	10/1987	Reilly	.....	56/13.3
5,459,984	10/1995	Reichen et al.	.....	56/7

**OTHER PUBLICATIONS**

- Toro, Reelmaster 4500-D 2 or 4 Wheel Drive, pp. 1-6, date of publication—1993, published in U.S.A.
- Toro, Reelmaster 5100-D, pp. 1-8, date of publication—1992, published in U.S.A.
- Toro, Reelmaster 335-D, pp. 1-4, date of publication—1990, published in U.S.A.
- Toro, Reelmaster 450-D, pp. 1-6, date of publication—1988, published in U.S.A.
- Ransomes Inc., Motor 213D, pp. 1-6, date of publication—1991, published in U.K.
- Ransomes Inc., T-17D Riding Mower, pp. 1-6, date of publication—1988, published in U.S.A.
- Ransomes Inc., Fairway 5000 Mower, pp. 1-6, date of publication—1989, published in U.S.A.

- Ransomes Inc., Ransomes Bob-Cat Tractors, pp. 1-10, date of publication—1987, published in U.S.A.
- Jacobsen Textron, LF-3810, pp. 1-8, date of publication—1995, published in U.S.A.
- Toro, Groundsmaster 300 Series, pp. 1-10, date of publication—1993, published in U.S.A.
- Deere & Company, 2243 Professional Greens Mower, pp. 1-4, date of publication Jan. 1992, published in U.S.A.
- Jacobsen Textron, LF-128 & LF-135 Turbo, pp. 1-6, date of publication 1997, published in U.S.A.
- Deere & Company, Introducing The First Fairway Mowing System Designed Specifically For You, pp. 1-10, date of publication Jul. 1993, published in U.S.A.
- Toro, Reelmaster 6000 Series Fairway Mowers, pp. 1-4, date of publication 1997, published in U.S.A.
- Jacobsen Textron, Greens King V, pp. 1-8, date of publication 1996, published in U.S.A.
- Jacobsen Textron, Greens King Electric, pp. 1-6, date of publication 1998, published in U.S.A.
- Kubota Tractor Corporation, Kubota Diesel Front Mower F2000, pp. 1-16, date of publication Dec. 1986, published in Japan.
- Jacobsen Textron, The Turfcut II Series, pp. 1-10, date of publication Oct. 1986, published in U.S.A.

*Primary Examiner*—Melody N. Brown

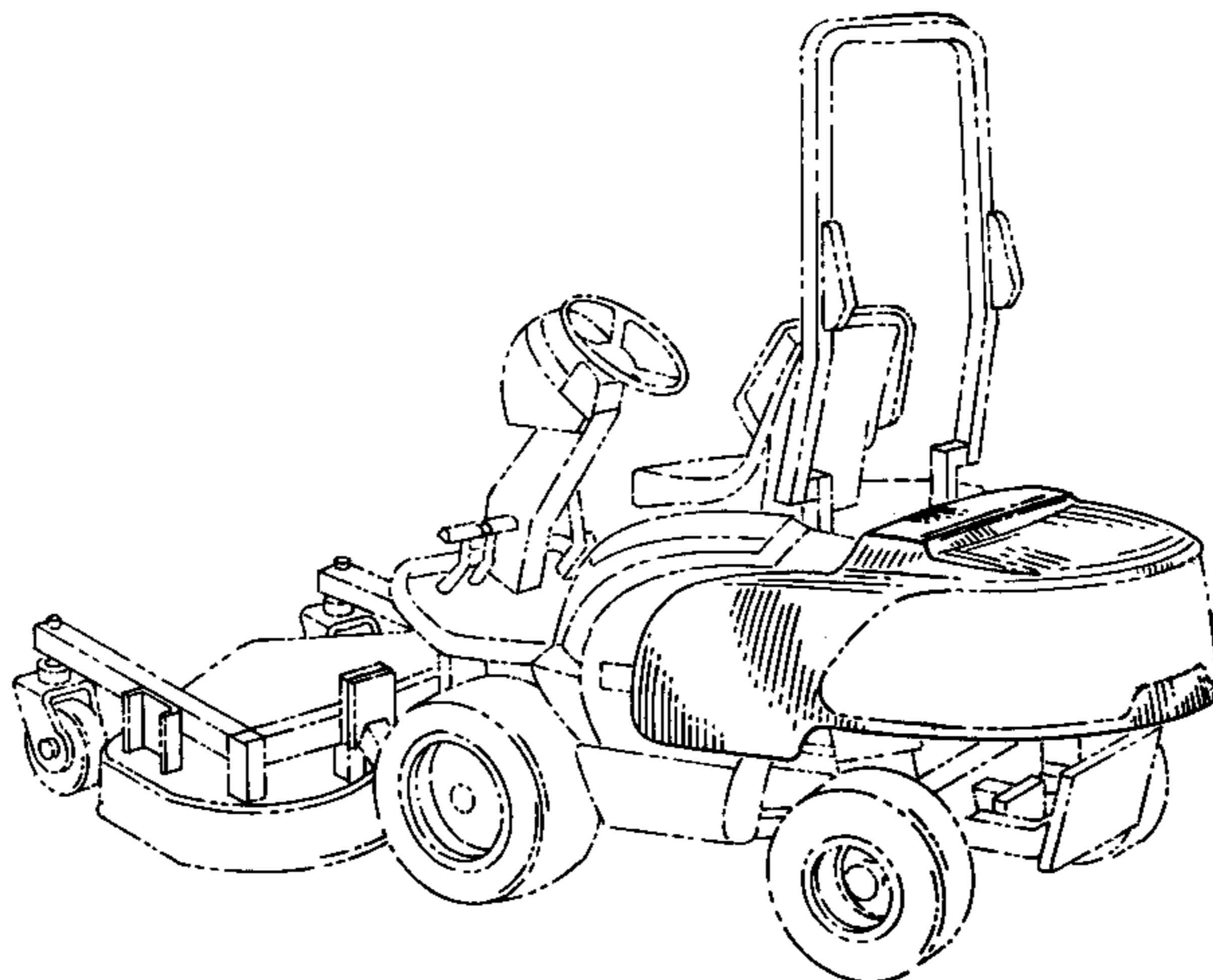
[57] **CLAIM**

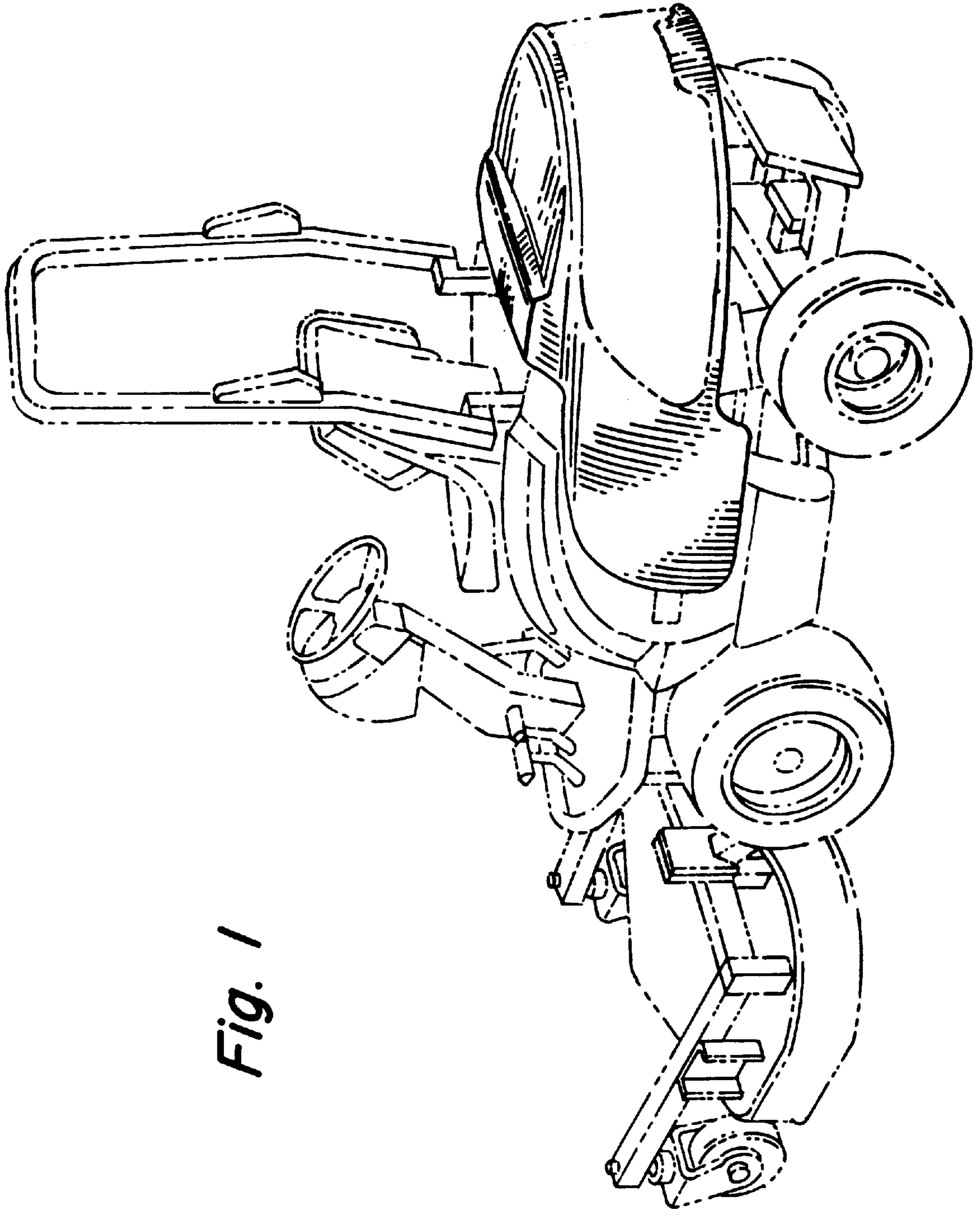
The ornamental design for an outer surface of a hood, as shown and described.

**DESCRIPTION**

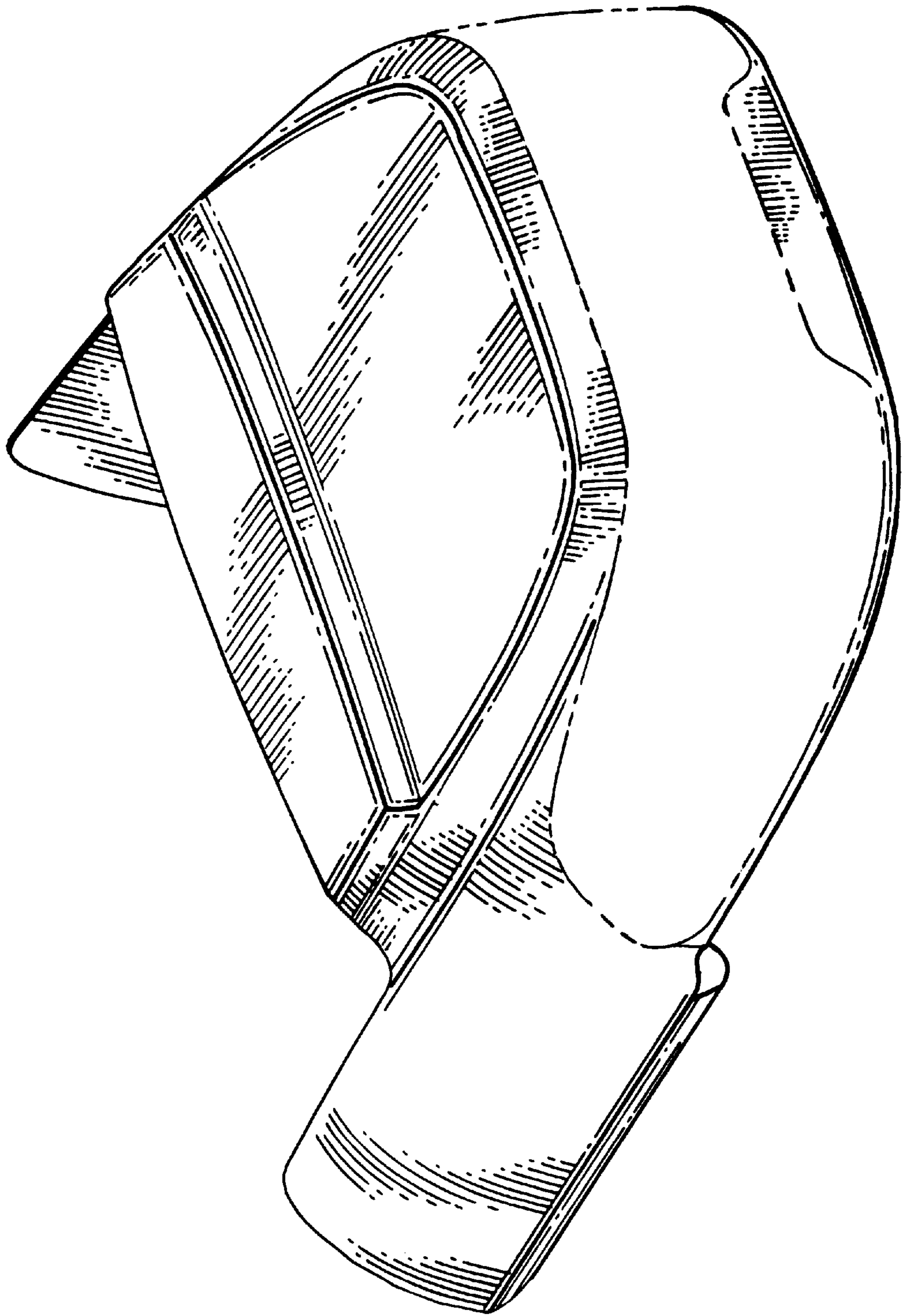
- FIG. 1 is an elevated rear perspective view of an outer surface of a hood, showing our new design, the broken line showing of the vehicle being for illustrative purposes only, and forms no part of the claimed design.
- FIG. 2 is a left rear enlarged and elevated perspective view of the outer surface of a hood of FIG. 1.
- FIG. 3 is a top plan view of the outer surface of a hood of FIG. 1.
- FIG. 4 is a rear view of the outer surface of a hood of FIG. 1.
- FIG. 5 is a right side view of the outer surface of a hood of FIG. 1; and,
- FIG. 6 is a left side view of the outer surface of a hood of FIG. 1.

**1 Claim, 4 Drawing Sheets**



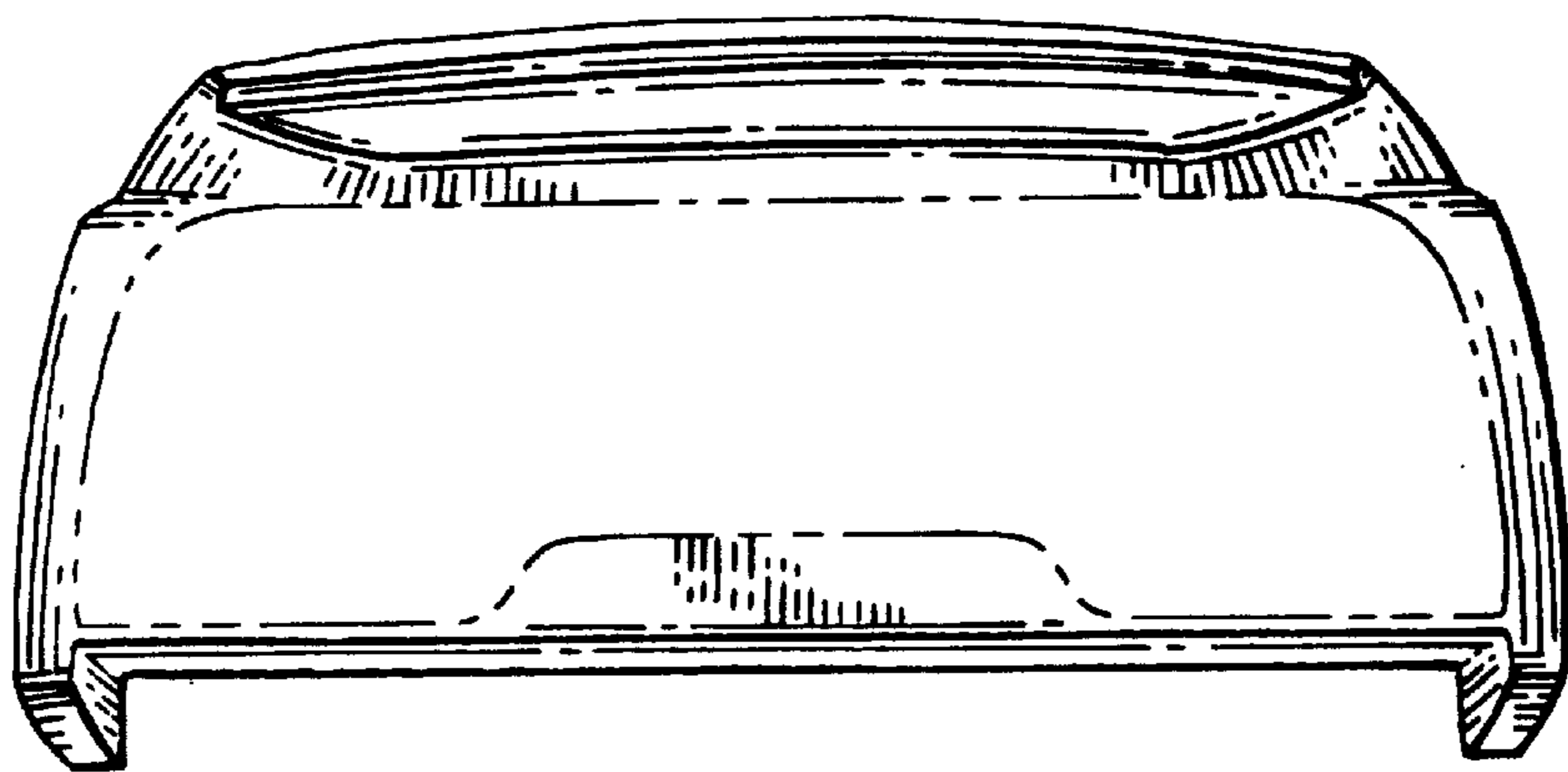
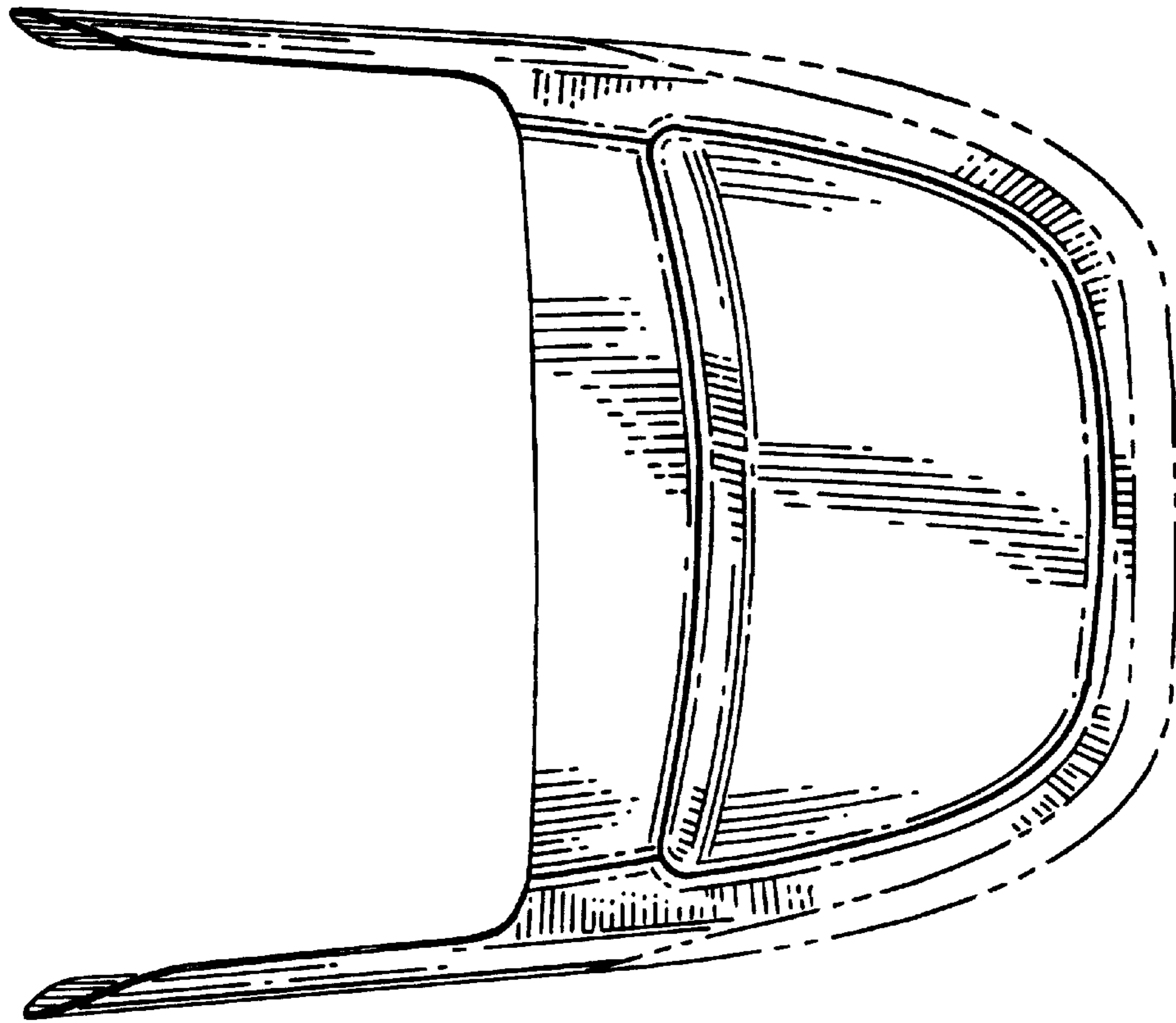


*Fig. 1*



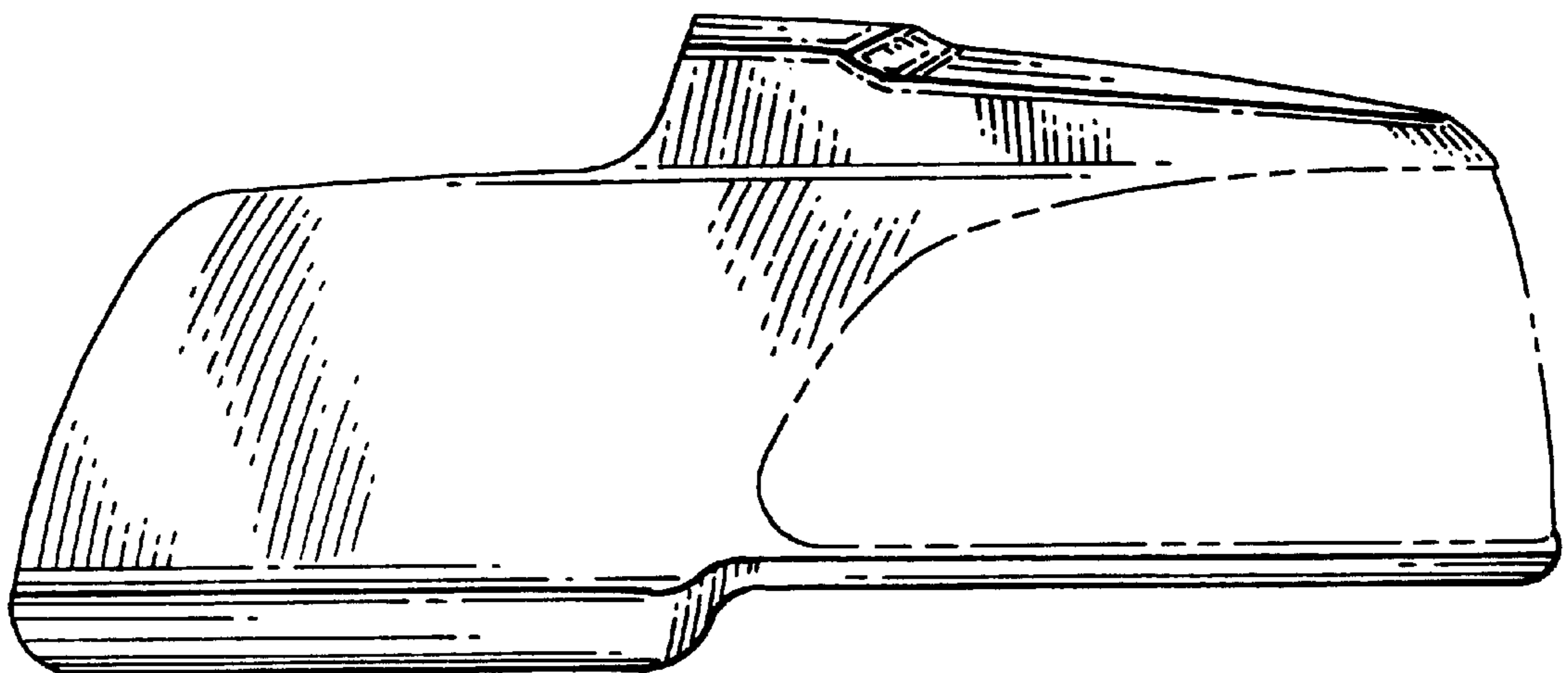
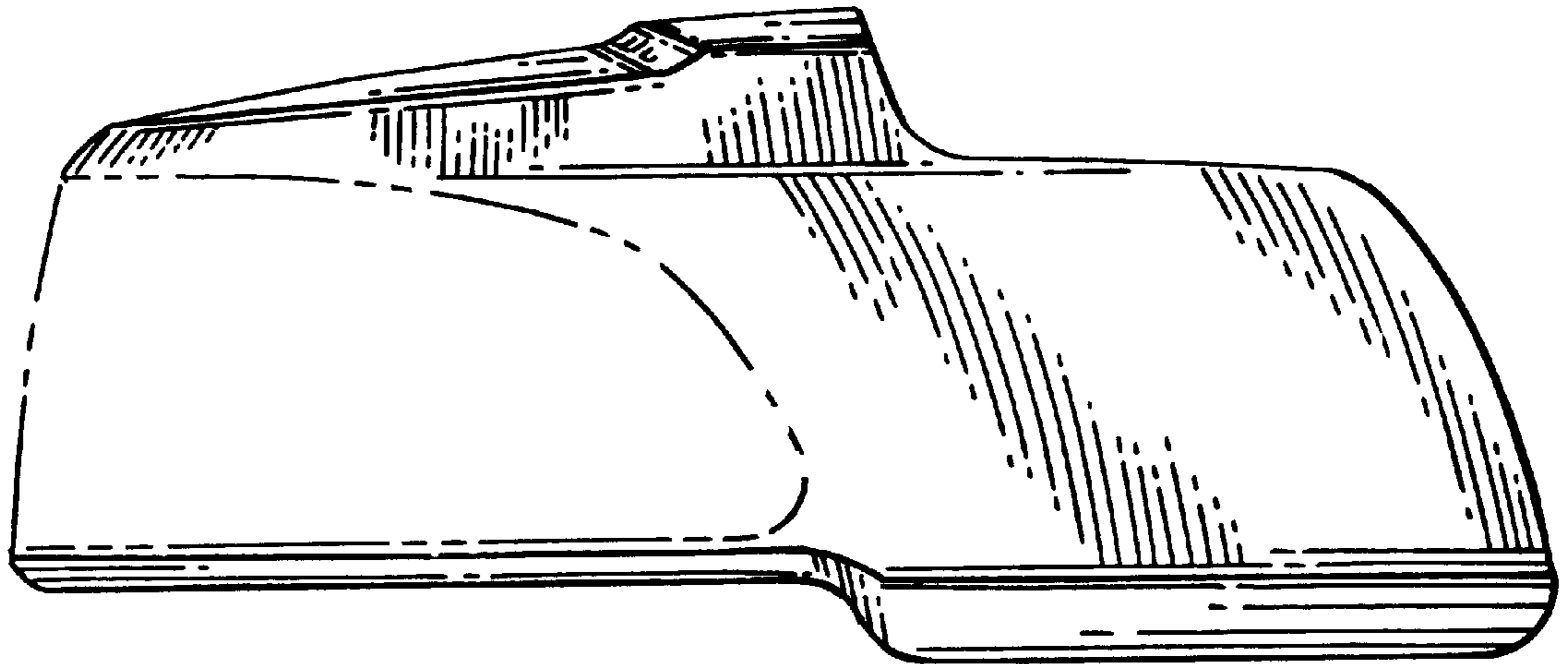
*Fig. 2*

*Fig. 3*



*Fig. 4*

*Fig. 5*



*Fig. 6*