



US00D428021S

**United States Patent** [19]  
**Bentley**

[11] **Patent Number: Des. 428,021**  
[45] **Date of Patent: \*\* Jul. 11, 2000**

[54] **MULCH SPREADING APPARATUS**

*Primary Examiner*—Sandra L. Morris

[76] Inventor: **John A. Bentley**, 705 Elizabethtown Rd., Manheim, Pa. 17545

[57] **CLAIM**

[\*\*] Term: **14 Years**

The ornamental design for a mulch spreading apparatus, as shown and described.

[21] Appl. No.: **29/097,075**

**DESCRIPTION**

[22] Filed: **Nov. 27, 1998**

FIG. 1 is a front elevational view of the mulch spreading apparatus showing my new design, the hitch member being positioned to correspond generally to the orientation thereof when attached to a small tractor;

[51] **LOC (7) Cl.** ..... **15-03**

[52] **U.S. Cl.** ..... **D15/13; D15/27**

FIG. 2 is a rear elevational view thereof;

[58] **Field of Search** ..... D15/10, 13, 22-27;  
239/655, 661, 672, 681, 683, 684, 687

FIG. 3 is a left side elevational view thereof;

[56] **References Cited**

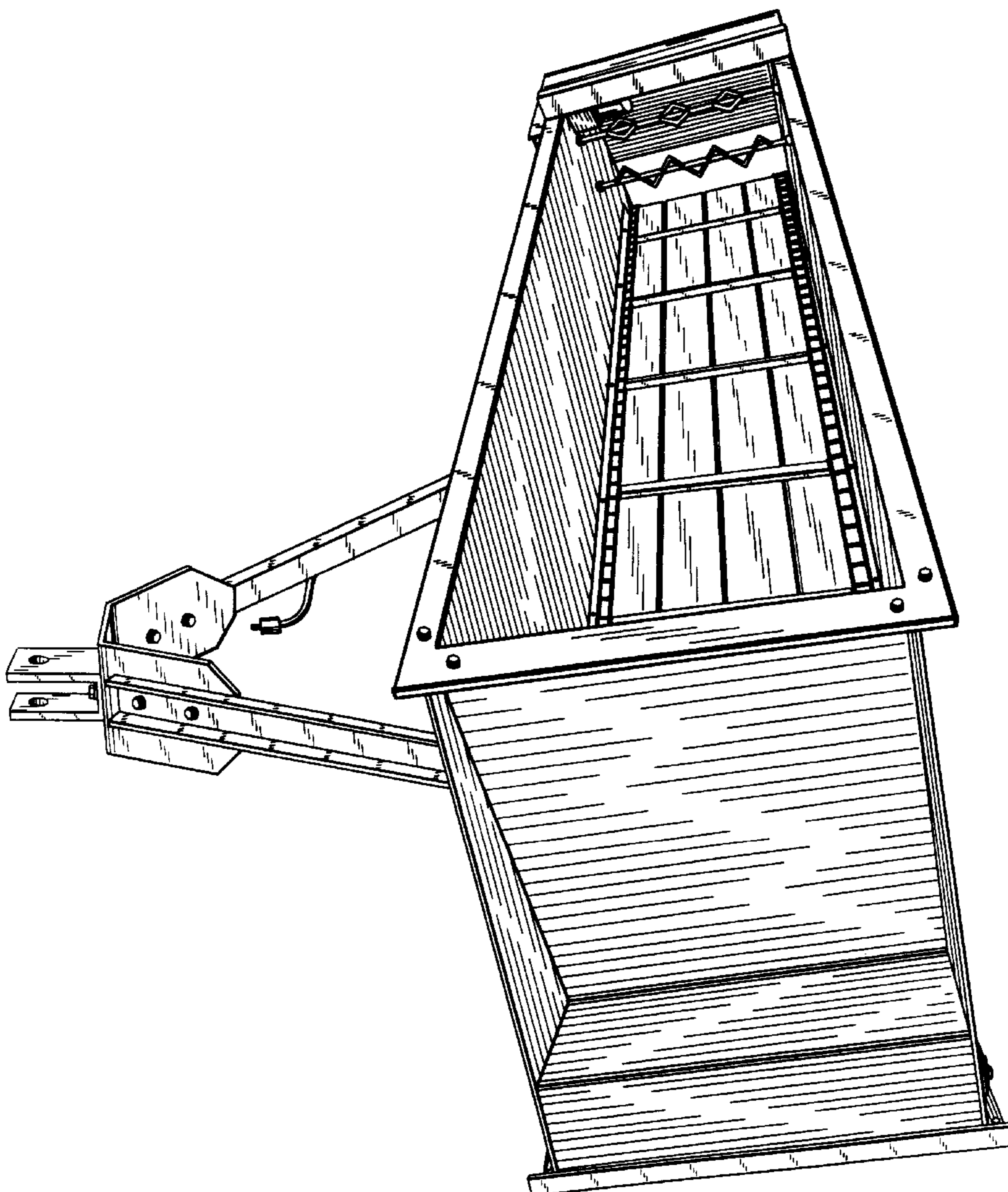
**U.S. PATENT DOCUMENTS**

D. 241,569	9/1976	Kucera	.....	D15/27
D. 321,889	11/1991	Burns et al.	.....	D15/17
D. 388,440	12/1997	Bentley	.....	D15/13
3,913,473	10/1975	Meiers	.....	100/5
4,770,348	9/1988	Rieke	.....	239/662

FIG. 4 is a right side elevational view showing the discharge area of the mulch spreading apparatus shown in FIGS. 1-3; FIG. 5 is an upper left side perspective view showing the top thereof and internally of the hopper looking at the discharge mechanism adjacent the right side thereof; and,

FIG. 6 is a top plan view thereof.

**1 Claim, 6 Drawing Sheets**



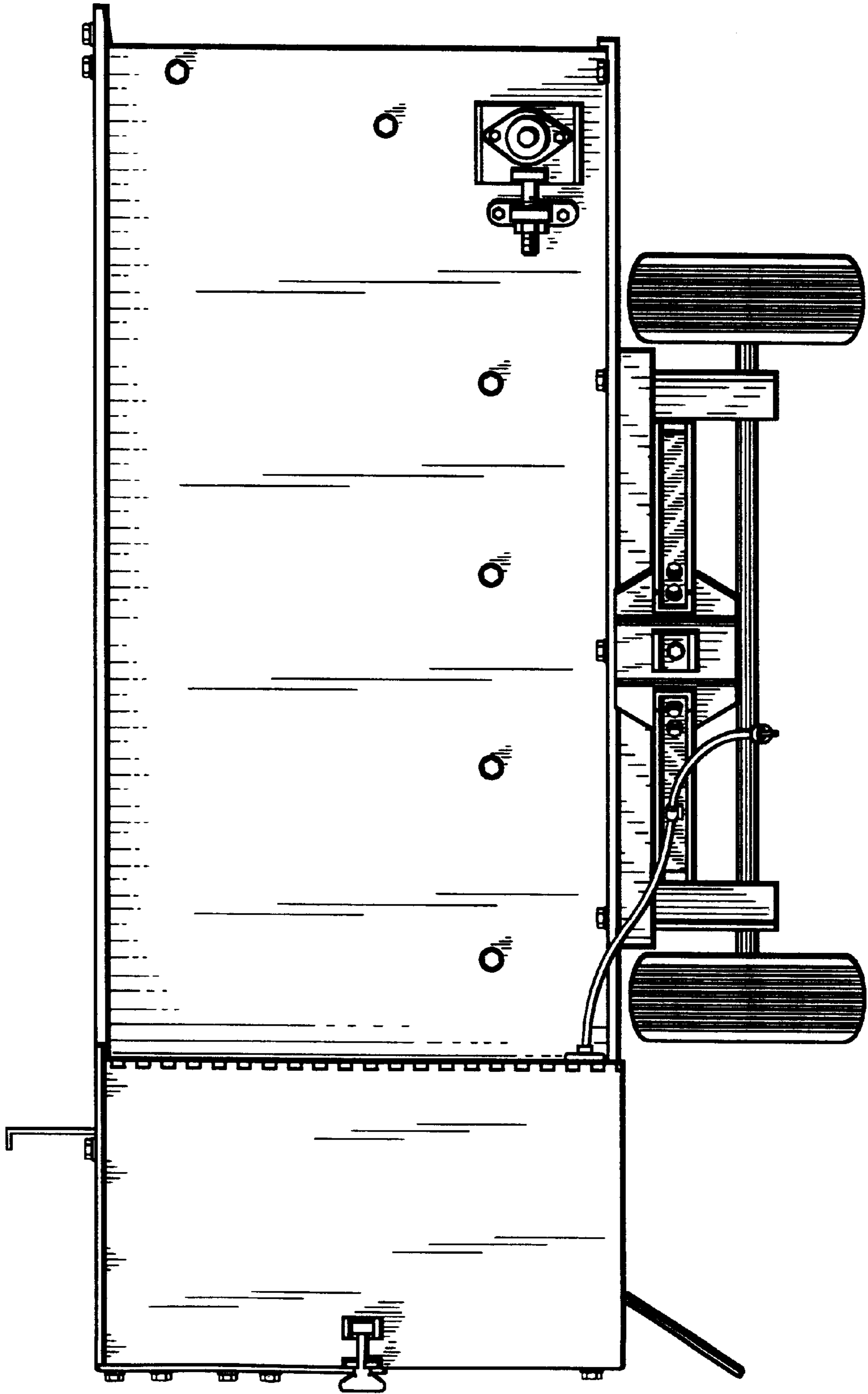


Fig. 1

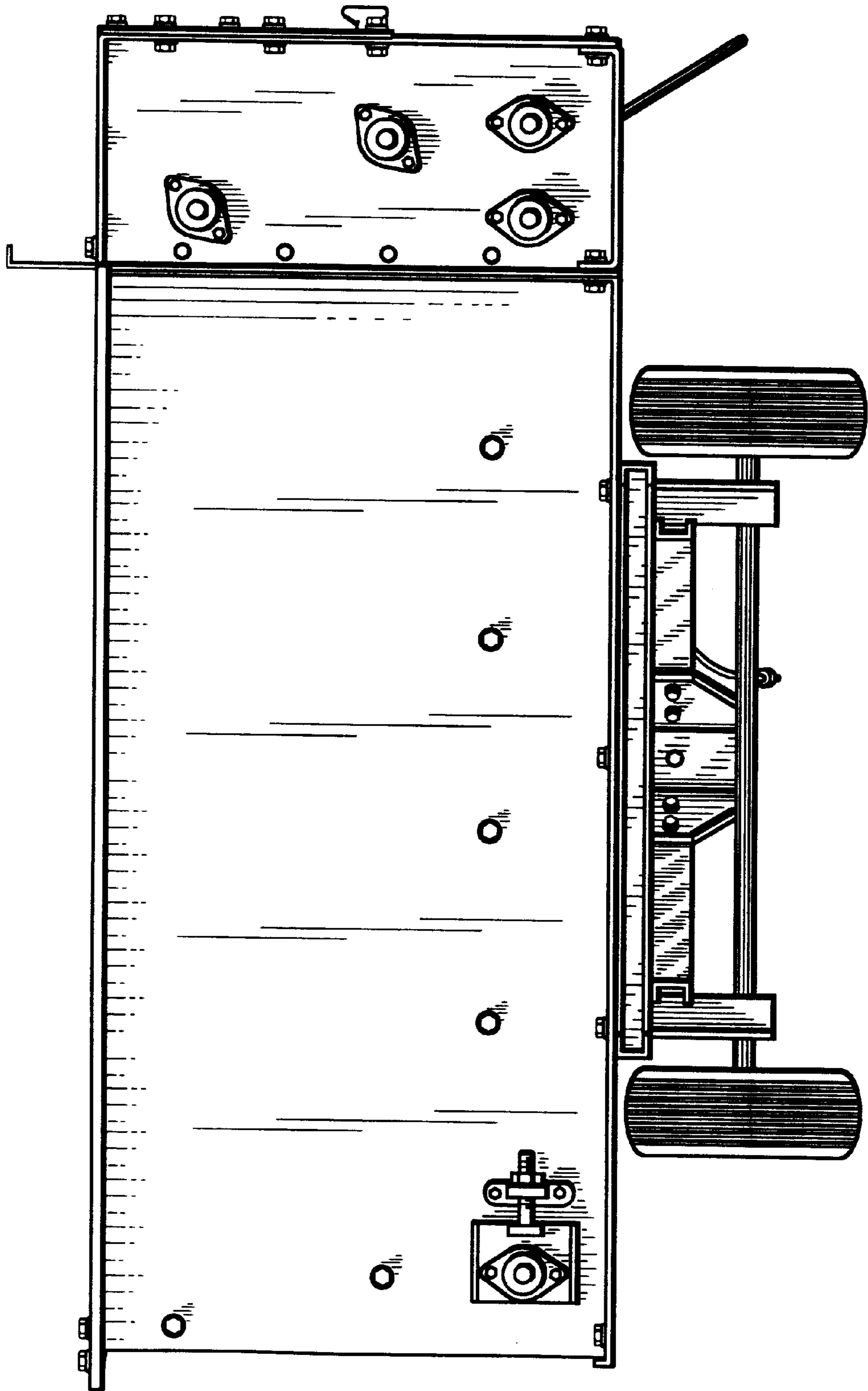


Fig. 2

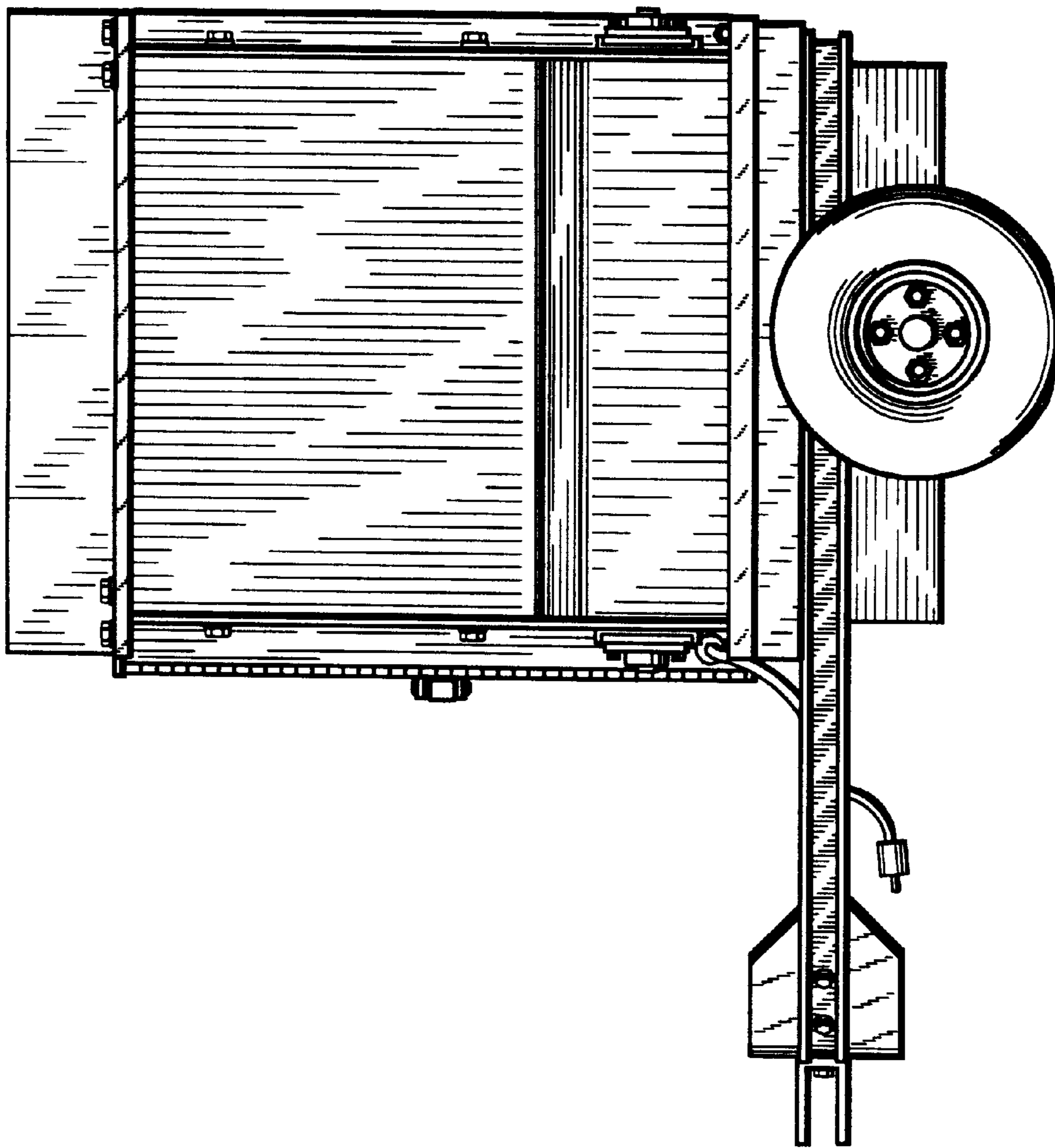


Fig. 3

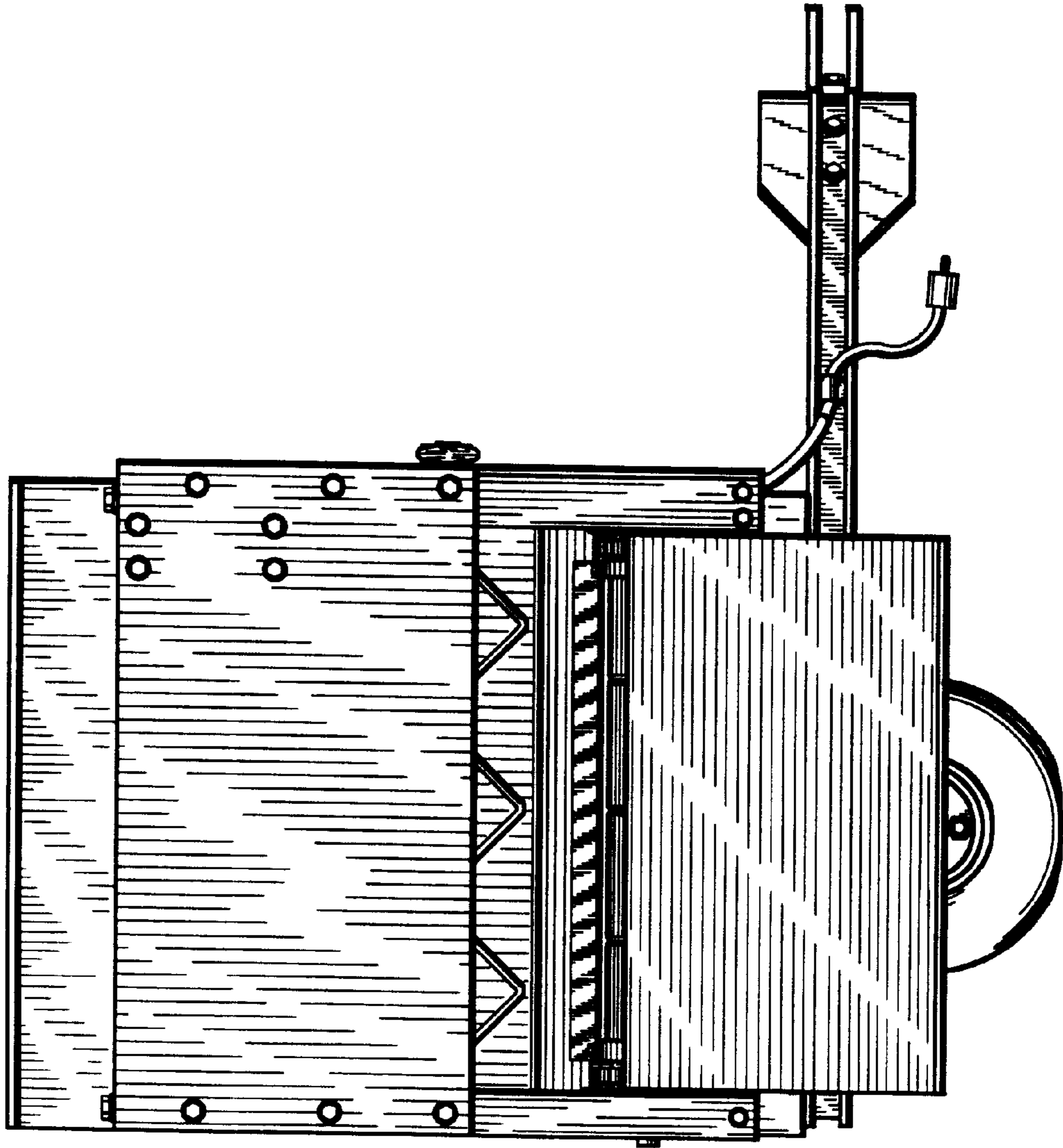


Fig. 4

Fig. 5

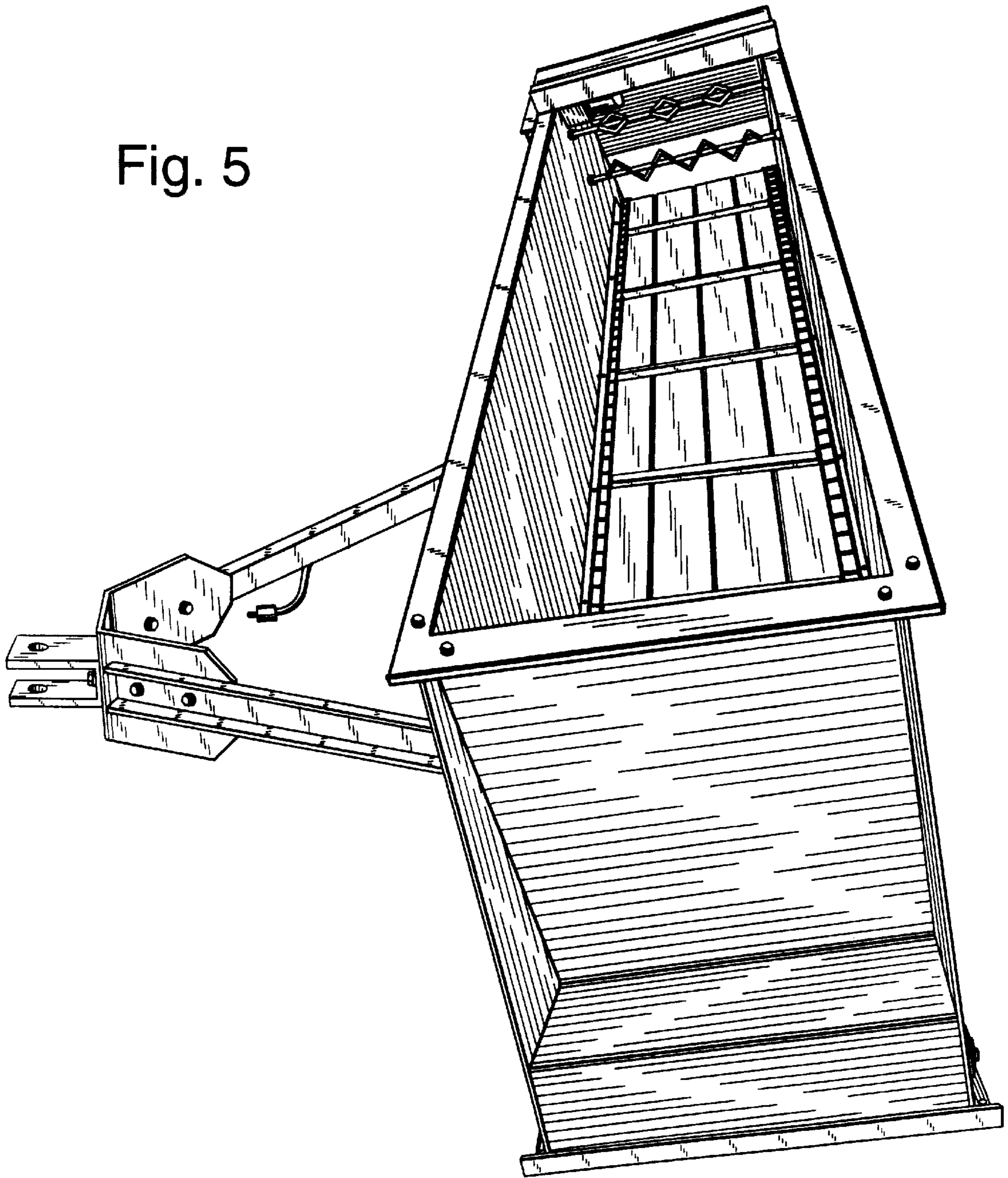


Fig. 6

