



US00D428014S

United States Patent [19]

Bostedt et al.

[11] **Patent Number: Des. 428,014**

[45] **Date of Patent: ** Jul. 11, 2000**

[54] **BEZEL FOR SERVER**

D. 389,475 1/1998 Autry et al. D14/441

[75] Inventors: **Christopher L. Bostedt**, Granite Bay;
Henry Jupille, Placerville, both of
Calif.

Primary Examiner—Freda Nunn
Attorney, Agent, or Firm—David M. Mason

[73] Assignee: **Hewlett-Packard Company**, Palo Alto,
Calif.

[57] **CLAIM**

The ornamental design for a bezel for server, as shown and described.

[**] Term: **14 Years**

DESCRIPTION

[21] Appl. No.: **29/111,511**

FIG. 1 is a perspective view of a bezel for server showing my new design;

[22] Filed: **Sep. 28, 1999**

FIG. 2 is a front elevation view thereof;

[51] **LOC (7) Cl.** **14-02**

[52] **U.S. Cl.** **D14/441**

FIG. 3 is a right and left side elevation view thereof;

[58] **Field of Search** D14/450, 441,
D14/257, 258, 349; D13/164, 177, 184,
199; 312/223.2

FIG. 4 is a top plan view thereof; and,

FIG. 5 is a bottom plan view thereof.

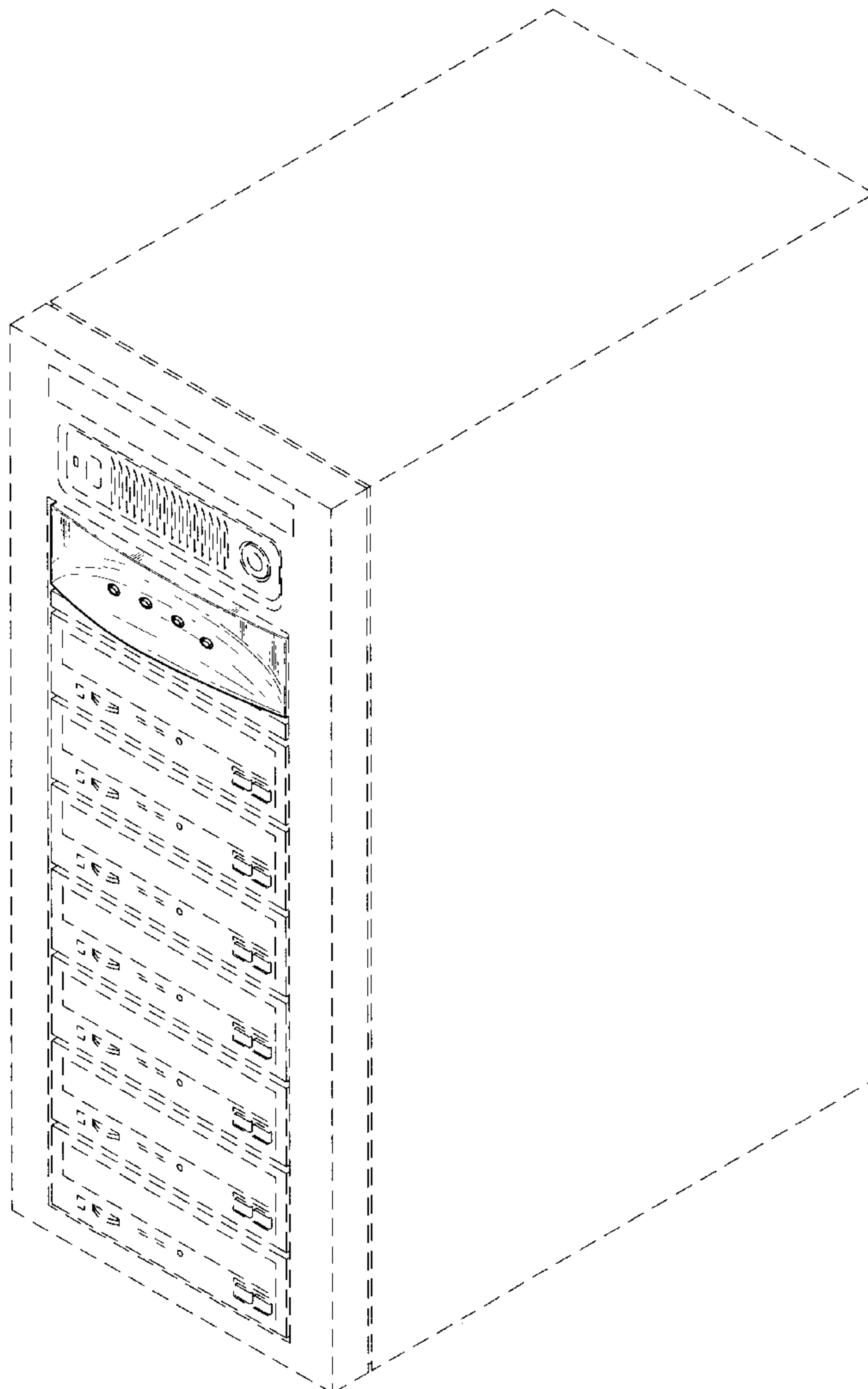
The broken lines are shown in the views for illustrative purposes only and form no part of the claimed design.

[56] **References Cited**

U.S. PATENT DOCUMENTS

D. 364,148 11/1995 Jasinski et al. D14/349

1 Claim, 2 Drawing Sheets



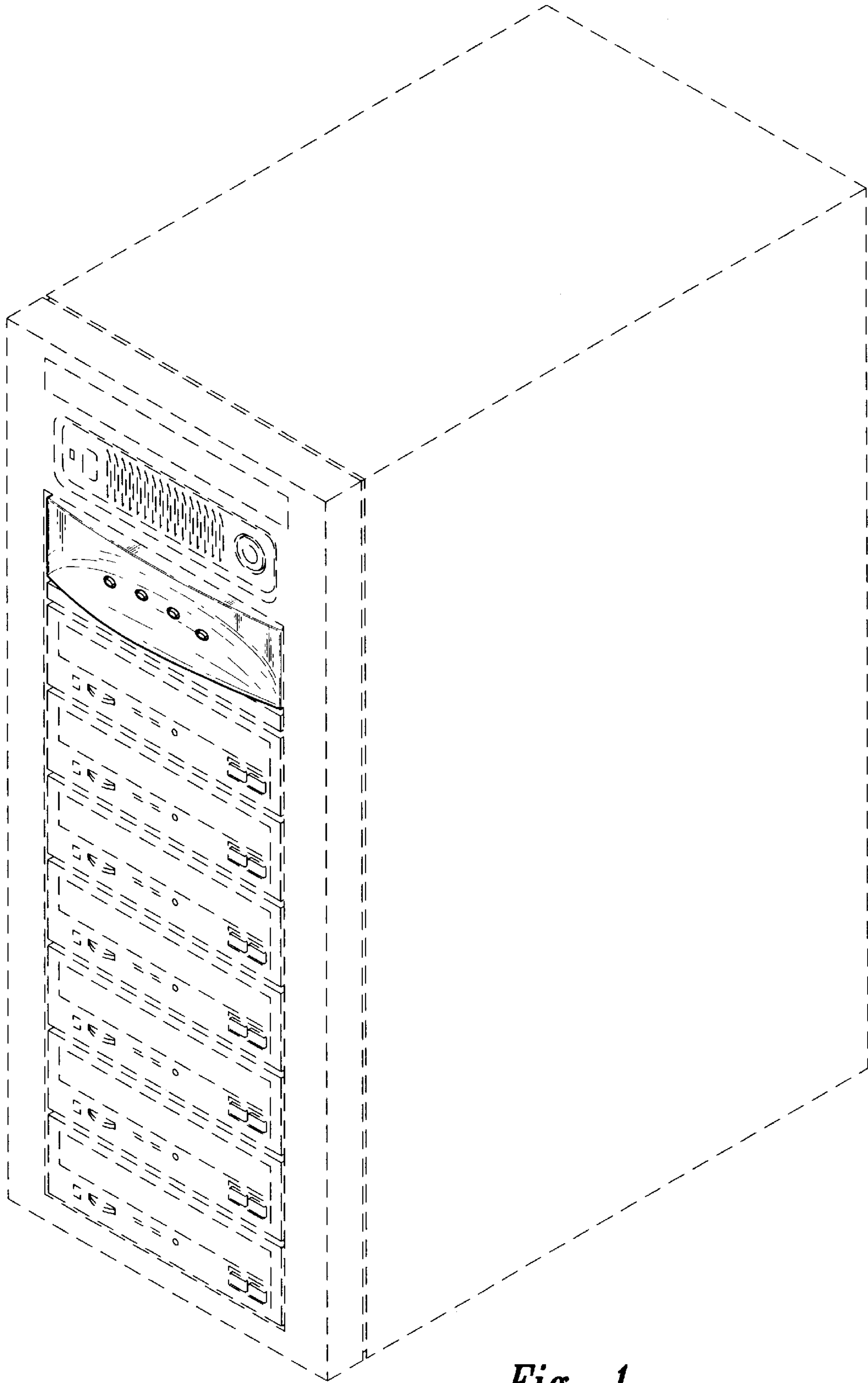


Fig. 1

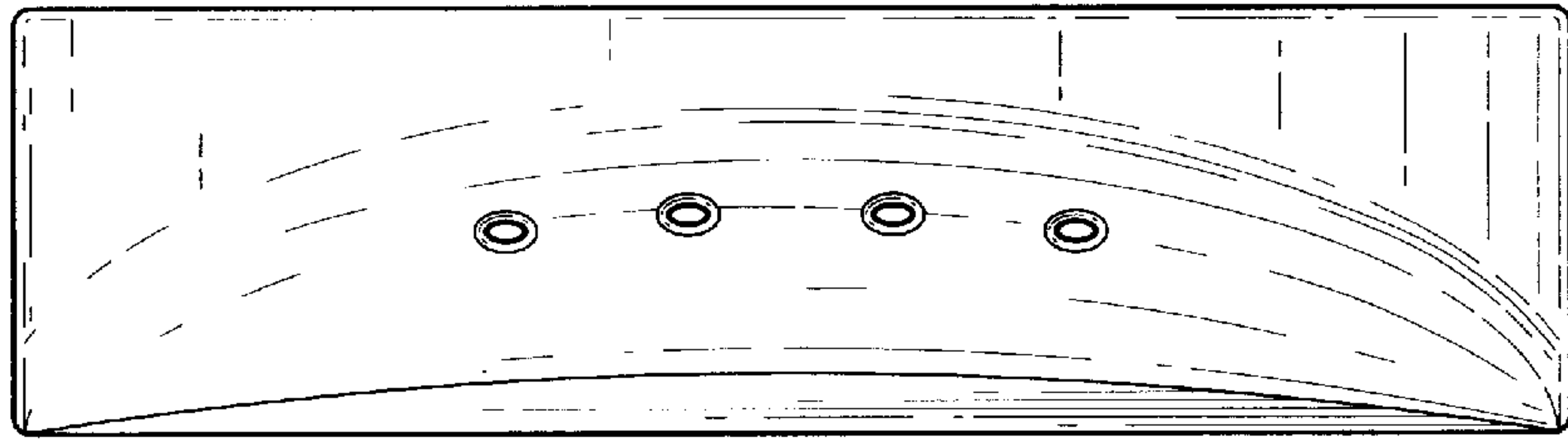


Fig. 2



Fig. 3

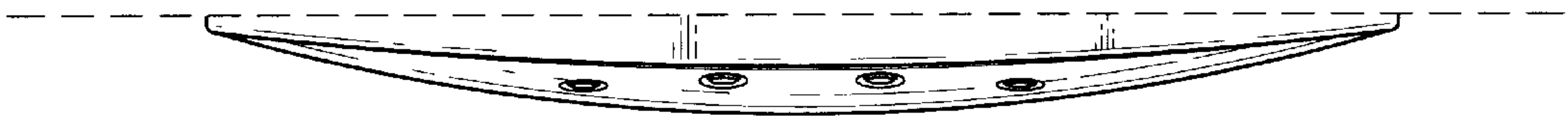


Fig. 4

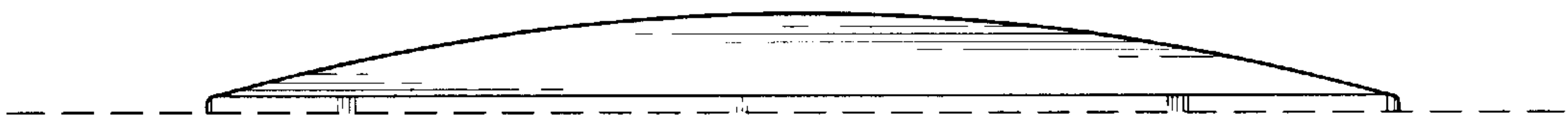


Fig. 5