



US00D428013S

United States Patent [19]

[11] Patent Number: Des. 428,013

Fairchild et al.

[45] Date of Patent: ** Jul. 11, 2000

[54] DATA STORAGE DISK CARTRIDGE HOUSING

5,653,638	8/1997	Nagata	463/44
5,671,109	9/1997	Sumner et al.	360/133
5,694,278	12/1997	Sumner	360/133

[75] Inventors: Scot Fairchild, Santa Clara; Warren Dalziel, Monte Sereno; Michael A. Maiers, San Jose, all of Calif.

FOREIGN PATENT DOCUMENTS

[73] Assignee: TeraStor Corporation, San Jose, Calif.

60-061949	4/1985	Japan
060124076	7/1985	Japan
62-014388	1/1987	Japan
62-031079	2/1987	Japan
06076522	3/1994	Japan
06243628	9/1994	Japan
07244950	9/1995	Japan
07262729	10/1995	Japan

[**] Term: 14 Years

[21] Appl. No.: 29/087,178

[22] Filed: Apr. 28, 1998

Primary Examiner—Prabhakar Deshmukh
Attorney, Agent, or Firm—Fish & Richardson P.C., P.A.

[51] LOC (7) Cl. 14-99

[52] U.S. Cl. D14/435; D21/332

[58] Field of Search D14/114, 120, D14/121, 217, 299, 435; D21/332, 333; 273/148 B; 463/1, 30, 43-47; 360/132, 133; 242/348, 341, 335; 369/291, 292, 77.2, 75.1

[57] CLAIM

The ornamental design for a data storage disk cartridge housing, as shown and described.

[56] References Cited

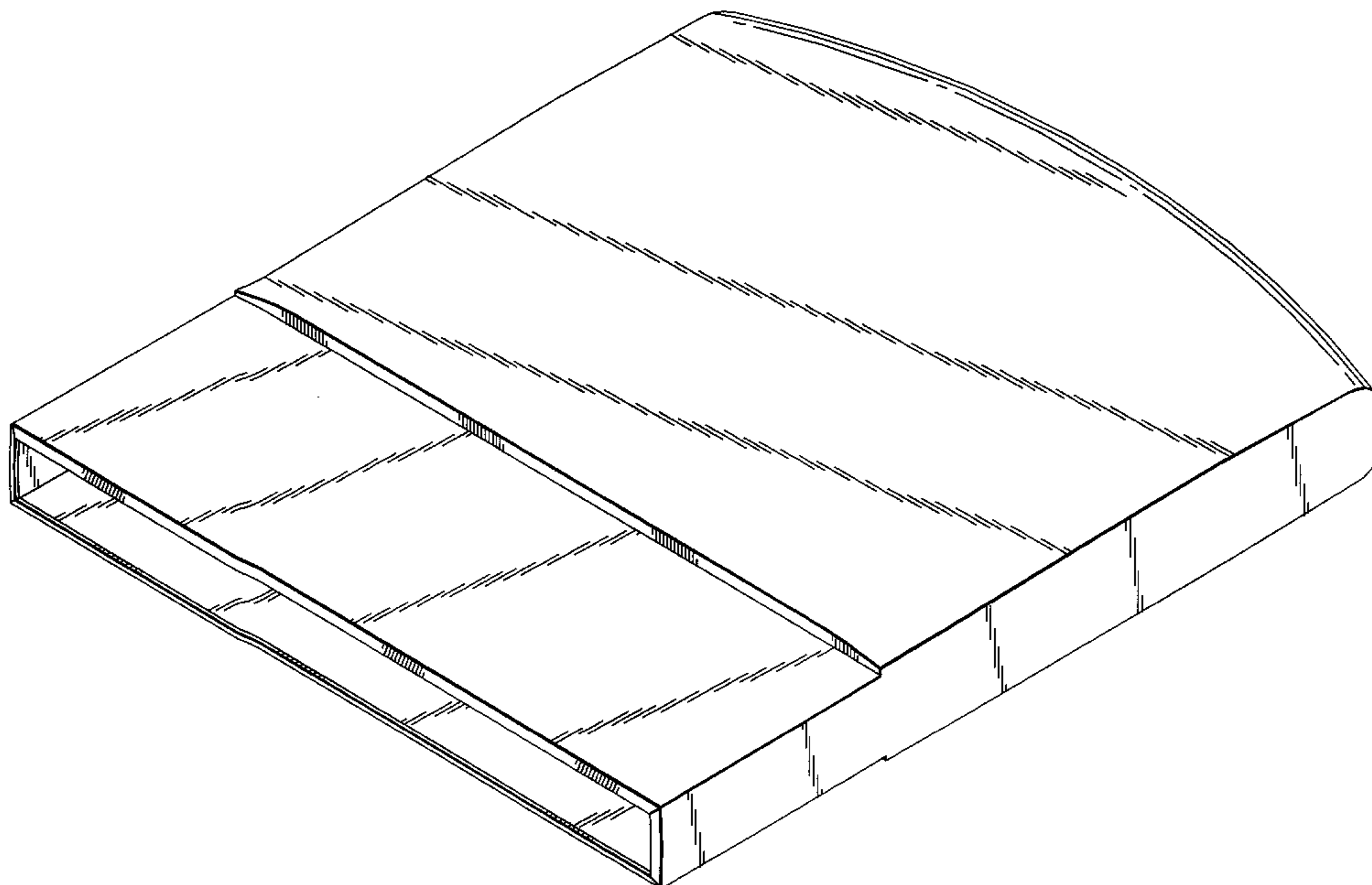
U.S. PATENT DOCUMENTS

D. 315,903	4/1991	Nakauma	D14/121
D. 318,273	7/1991	Takaichi	D14/121
D. 376,795	12/1996	Ashida	D14/121
D. 377,488	1/1997	Ashida	D14/121
D. 378,518	3/1997	Sumner et al.	D14/114
D. 381,977	8/1997	Nagata et al.	D14/121
D. 411,532	6/1999	Sugino	D21/332 X
D. 412,187	7/1999	Kitamori	D21/332
4,865,321	9/1989	Nakagawa et al.	463/29
5,362,068	11/1994	Liu	463/44
5,381,402	1/1995	Lee et al.	369/291
5,450,379	9/1995	Fujimori et al.	369/275.1
5,481,420	1/1996	Cardona et al.	360/99.06
5,528,223	6/1996	DiLonardo et al.	363/29
5,570,252	10/1996	Sumner et al.	360/133
5,636,095	6/1997	McGrath et al.	360/133

DESCRIPTION

FIG. 1 is a top perspective view of a data storage disk cartridge housing of the present invention;
 FIG. 2 is a bottom perspective view of a data storage disk cartridge housing as shown in FIG. 1;
 FIG. 3 is a top plan view of a data storage disk cartridge housing as shown in FIG. 1;
 FIG. 4 is a bottom plan view of a data storage disk storage disk cartridge housing as shown in FIG. 1;
 FIG. 5 is a front view of a data storage disk cartridge housing as shown in FIG. 1;
 FIG. 6 is a rear view of a data storage disk cartridge housing as shown in FIG. 1;
 FIG. 7 is a first side view of a data storage disk cartridge housing as shown in FIG. 1; and,
 FIG. 8 is a second side view of a data storage disk cartridge housing as shown in FIG. 1 from a side opposite that shown in FIG. 7.

1 Claim, 8 Drawing Sheets



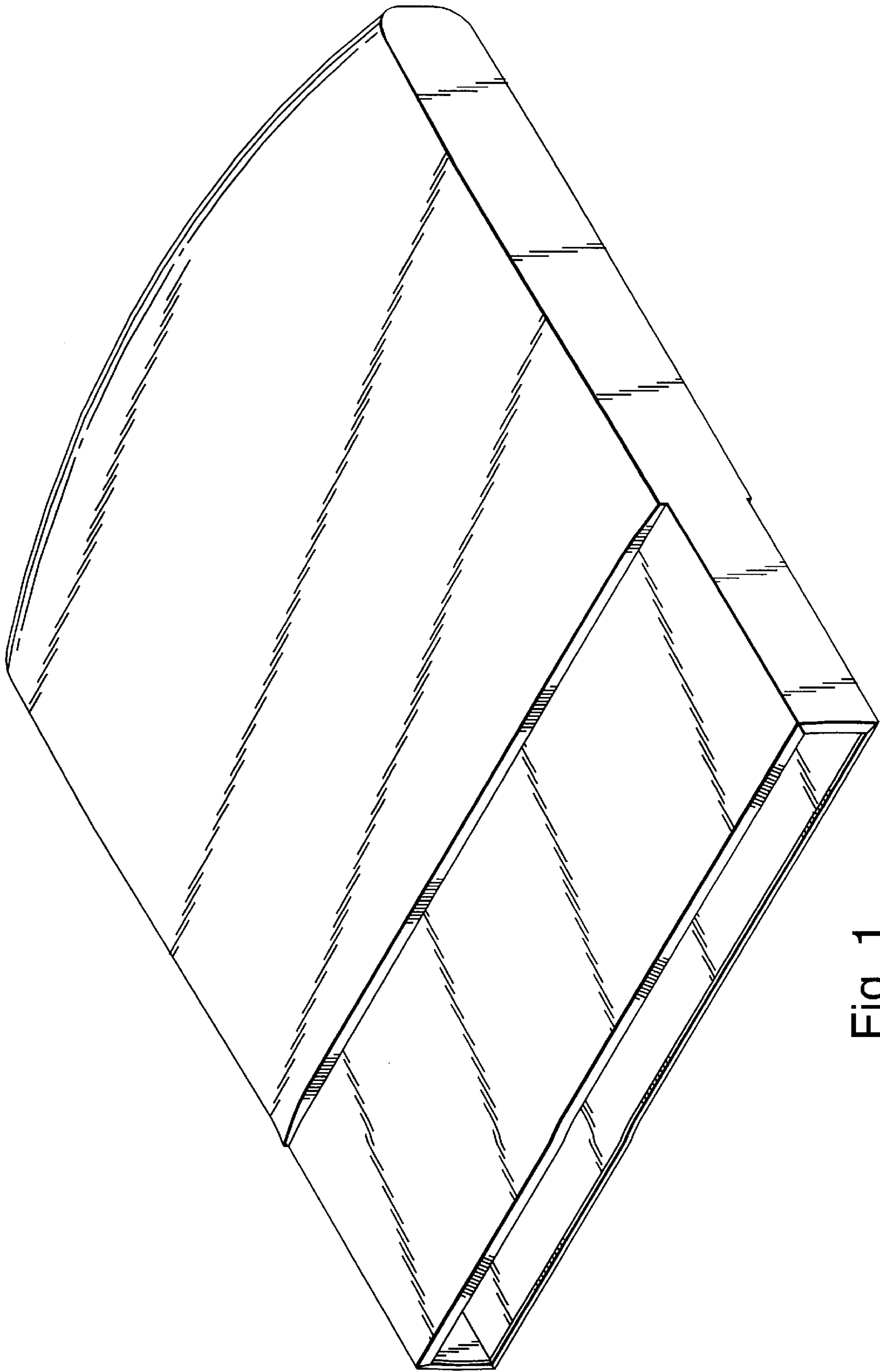


Fig. 1

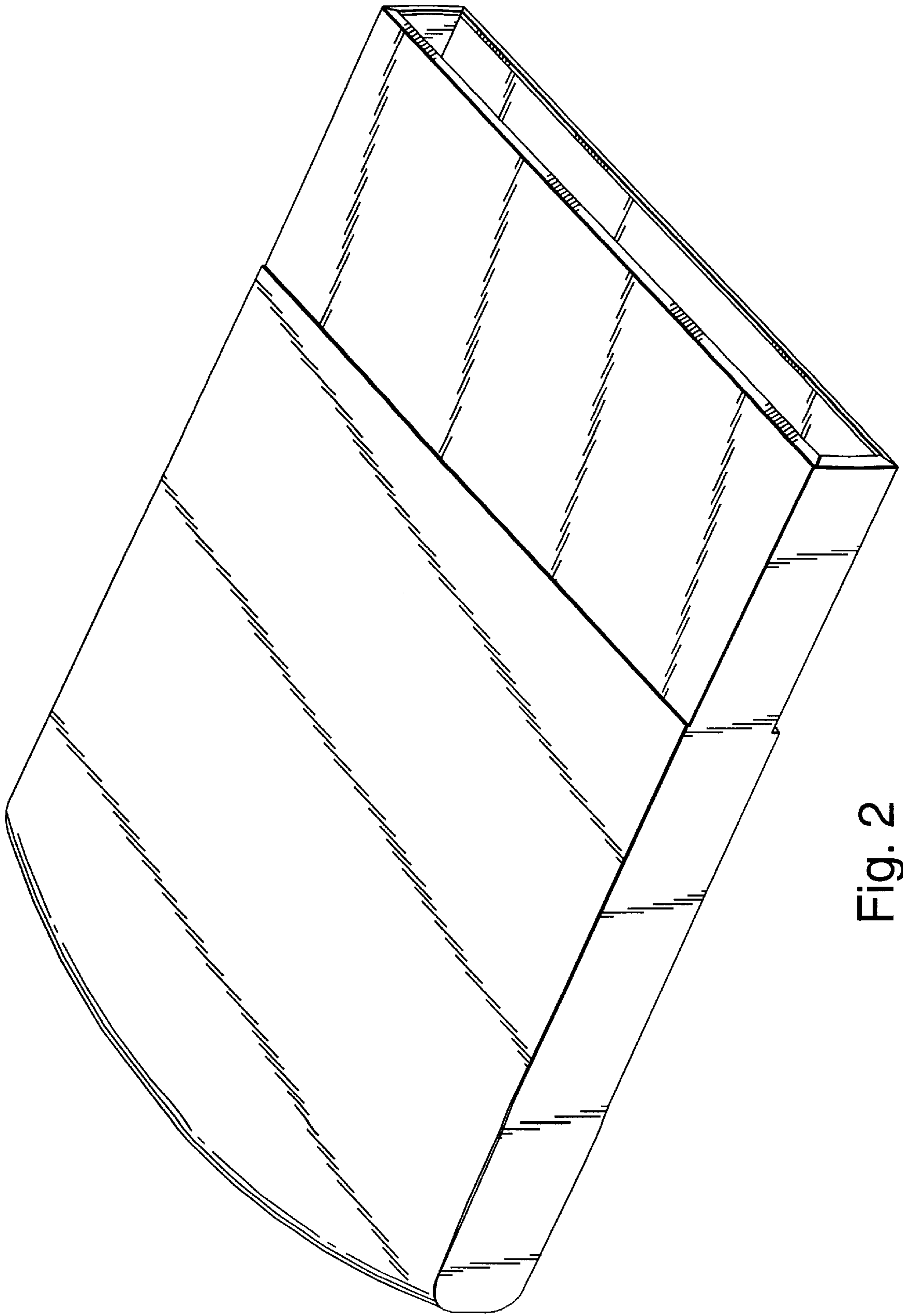


Fig. 2

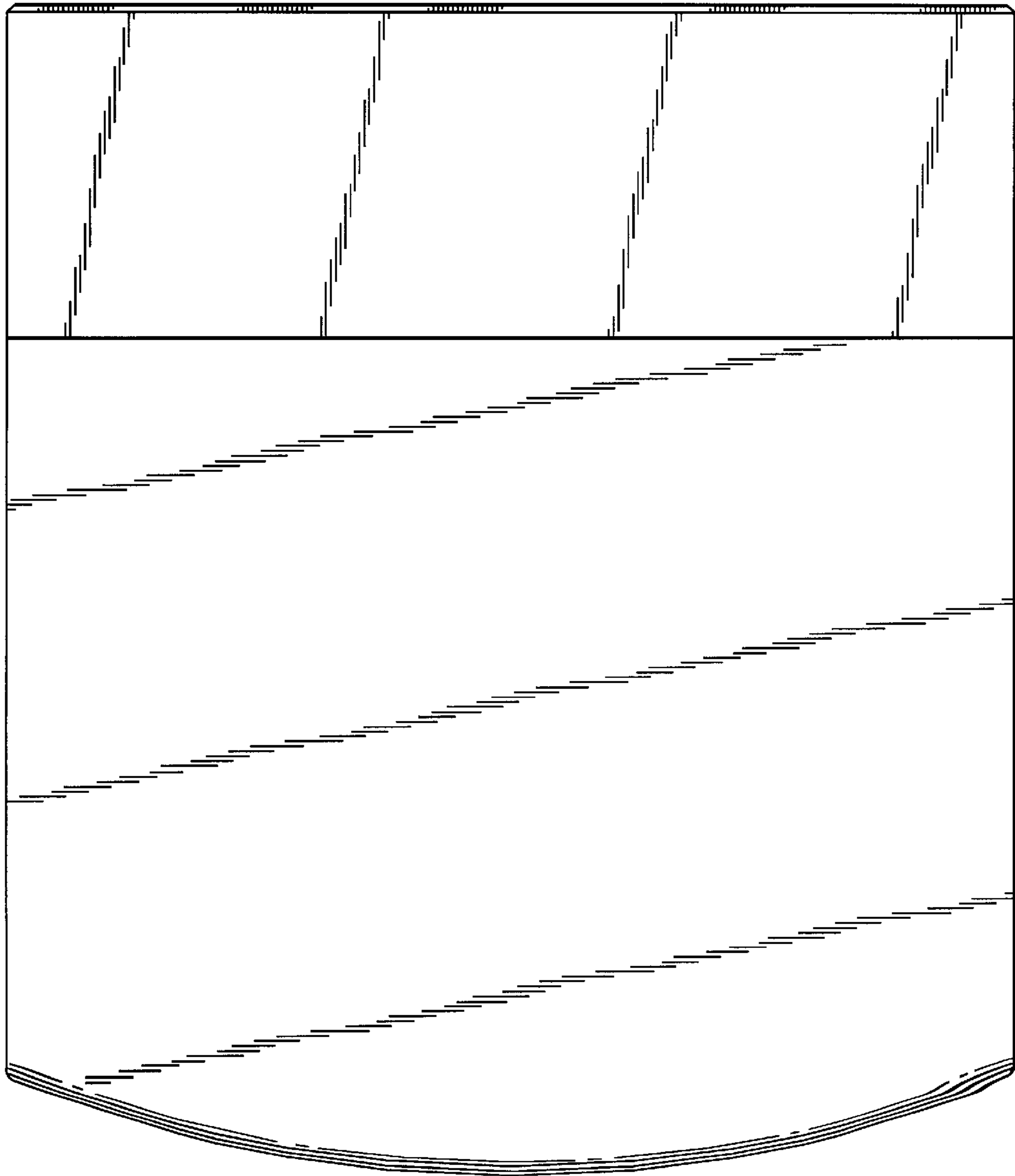


Fig. 3

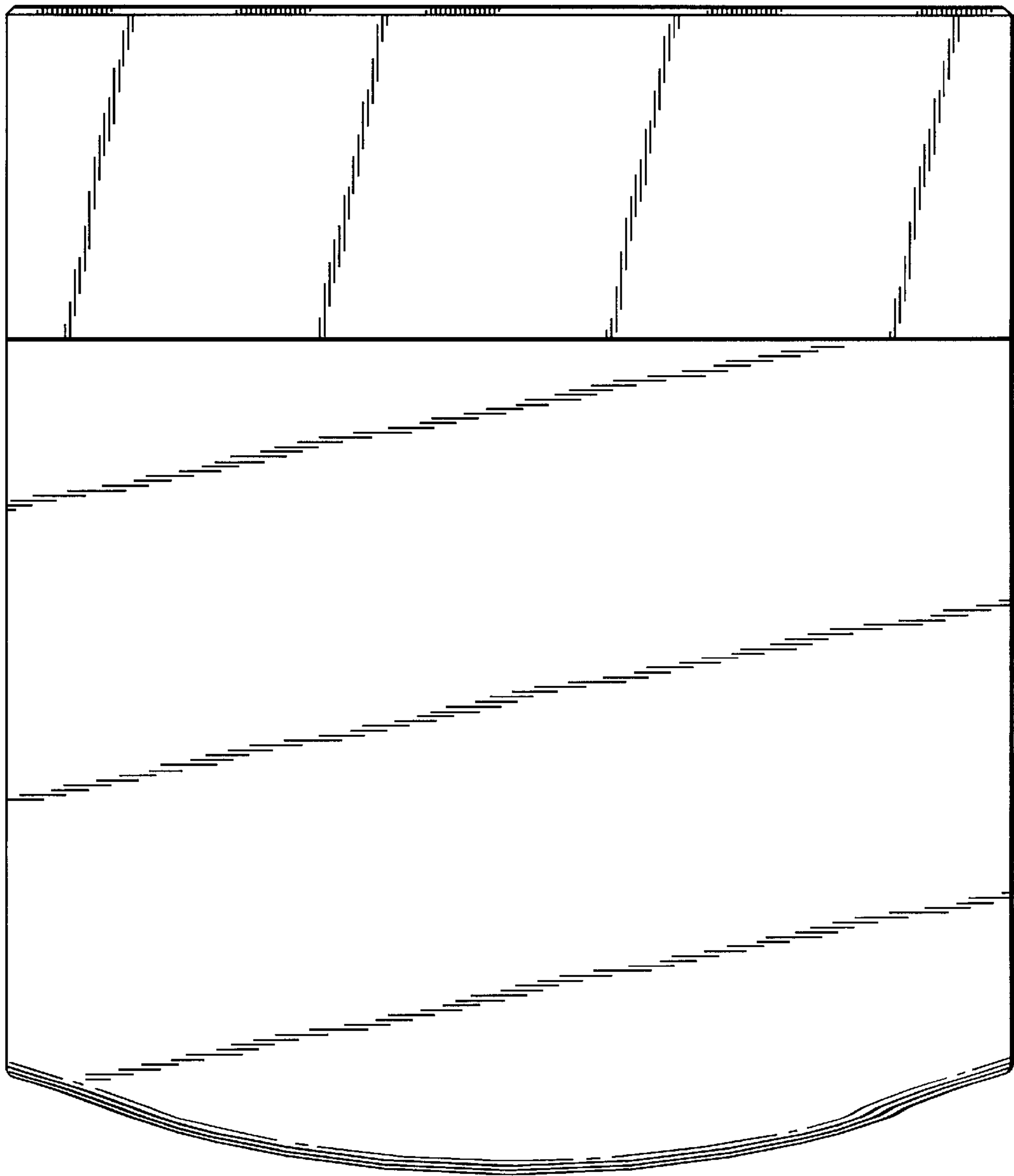


Fig. 4



Fig. 5

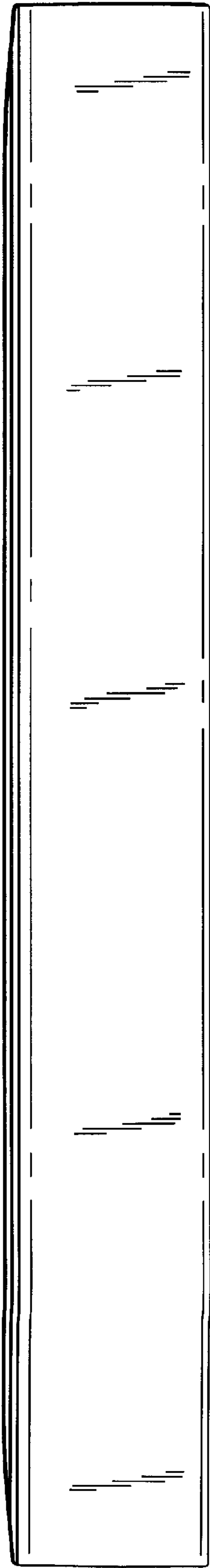


Fig. 6

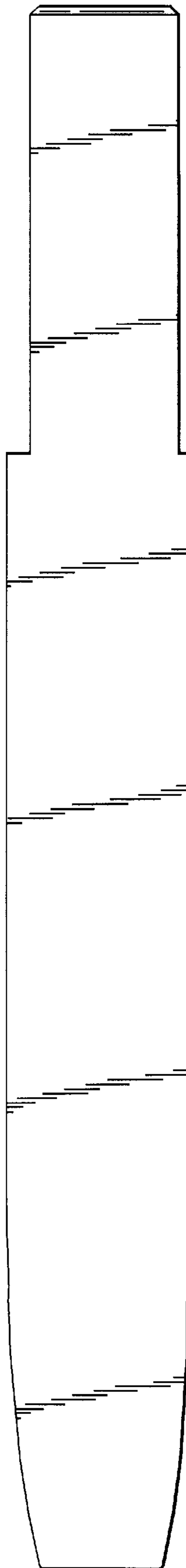


Fig. 7

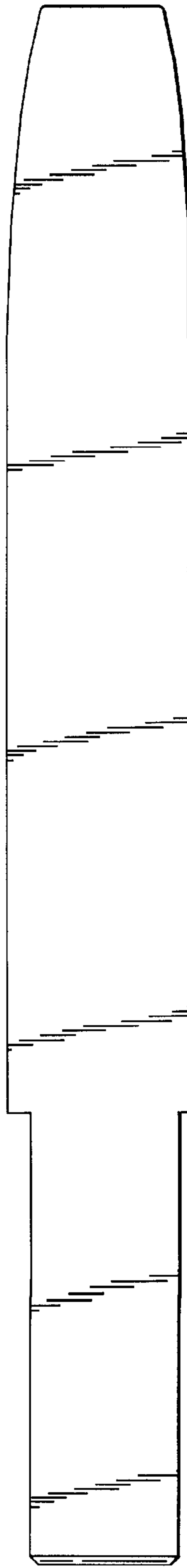


Fig. 8