



US00D428011S

United States Patent [19]

Howe et al.

[11] Patent Number: **Des. 428,011**

[45] Date of Patent: **** Jul. 11, 2000**

[54] **KEYPAD**

[75] Inventors: **David J. Howe**, Batavia; **Julianne McDonough**, West Chester, both of Ohio

[73] Assignee: **AcuPOLL Research, Inc.**, Cincinnati, Ohio

[**] Term: **14 Years**

[21] Appl. No.: **29/112,203**

[22] Filed: **Oct. 12, 1999**

[51] **LOC (7) Cl.** **14-02**

[52] **U.S. Cl.** **D14/399**

[58] **Field of Search** D14/399, 391, D14/392, 247; D18/1, 2, 7; 178/17 A, 17 C; 200/5 A, 5 R, 6 A, 6 R; 345/168; 341/22, 23; 364/708.1; 400/484, 485, 492

[56] **References Cited**

U.S. PATENT DOCUMENTS

D. 256,252 8/1980 Burrige D18/7 X

D. 330,547 10/1992 Howe et al. D14/399
D. 348,454 7/1994 Weybright D14/399

Primary Examiner—Freda Nunn
Attorney, Agent, or Firm—Haverstock, Garrett & Roberts

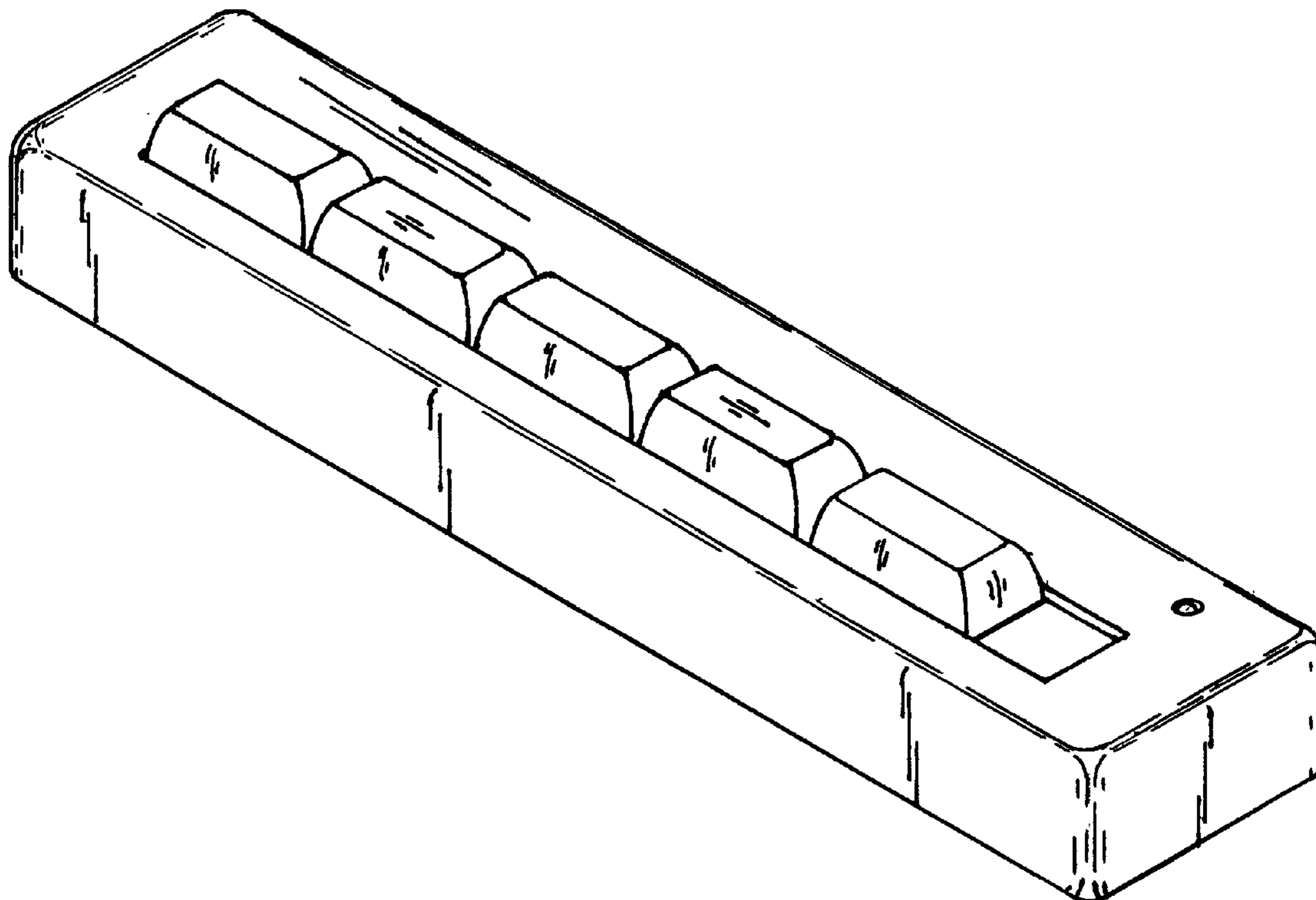
[57] **CLAIM**

The ornamental design for a keypad, as shown and described.

DESCRIPTION

FIG. 1 is a perspective view of a keypad showing our new design;
FIG. 2 is a front elevational view thereof shown on a reduced scale;
FIG. 3 is a rightside elevational view thereof;
FIG. 4 is a leftside elevational view thereof;
FIG. 5 is a back elevational view thereof;
FIG. 6 is a top plan view thereof; and,
FIG. 7 is a bottom plan view thereof.

1 Claim, 2 Drawing Sheets



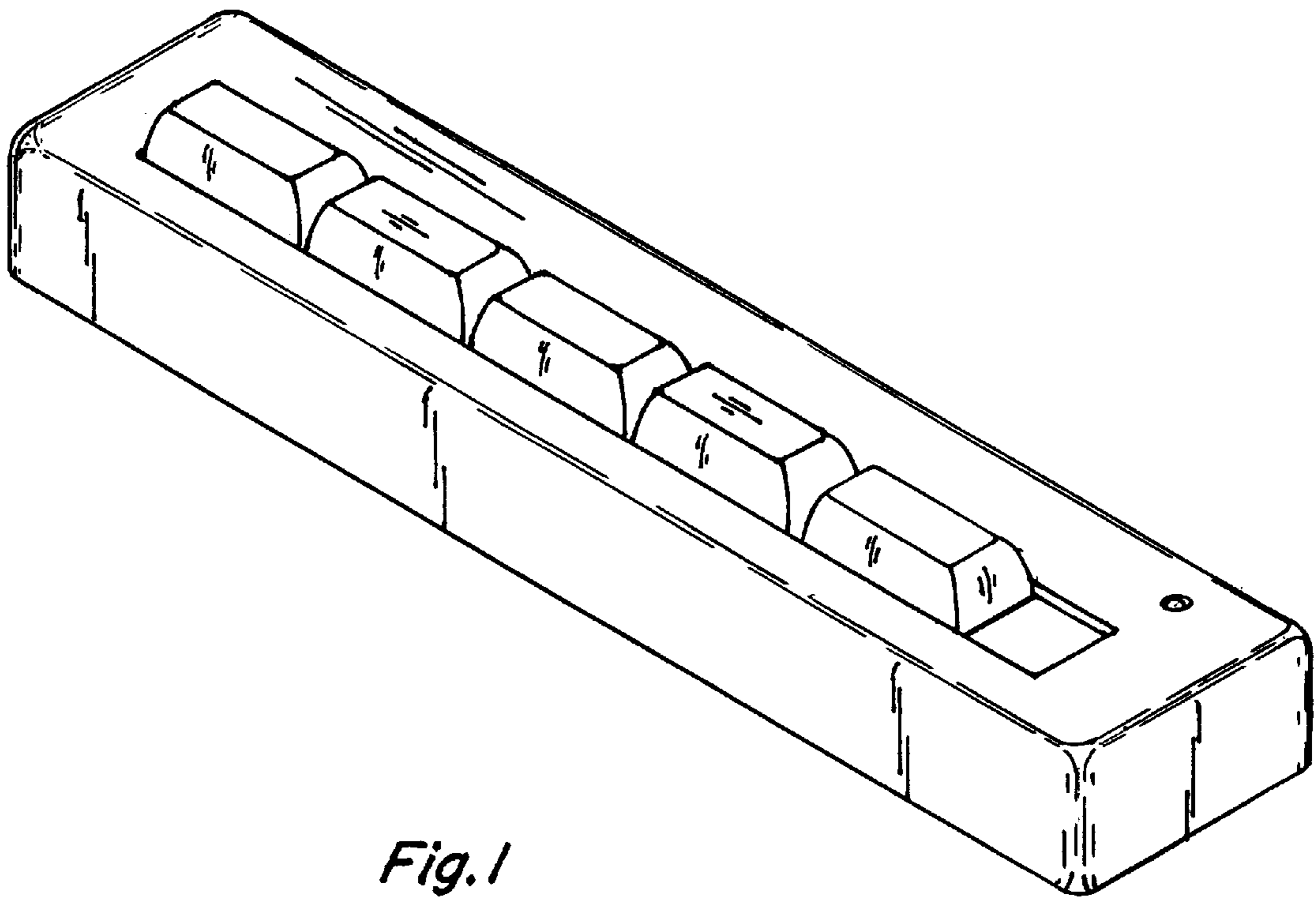


Fig. 1

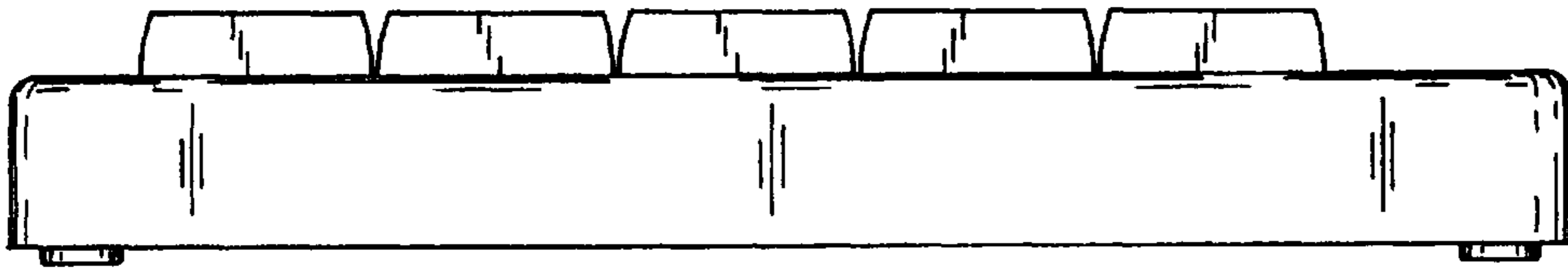


Fig. 2

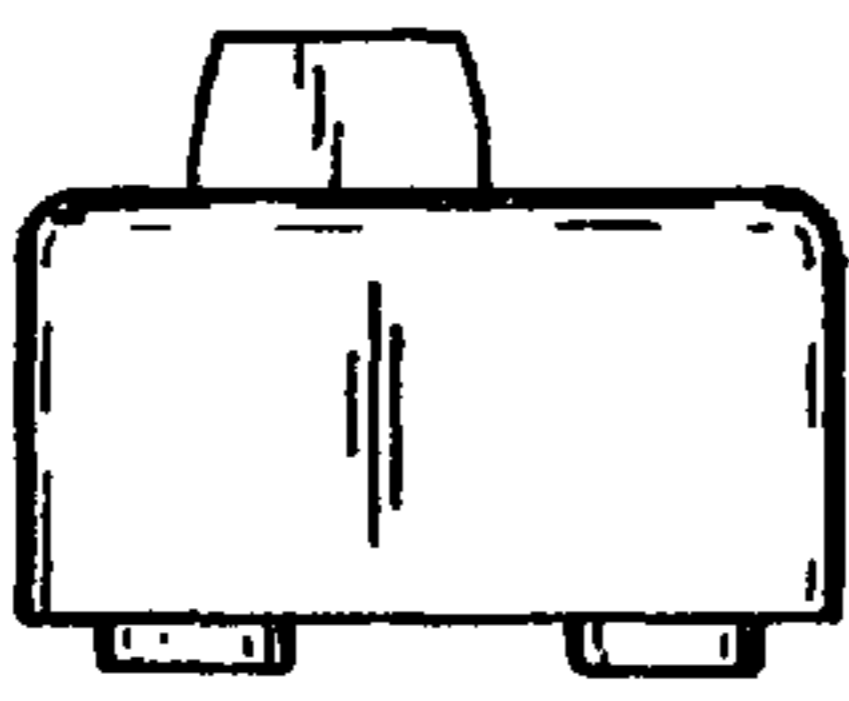


Fig. 3

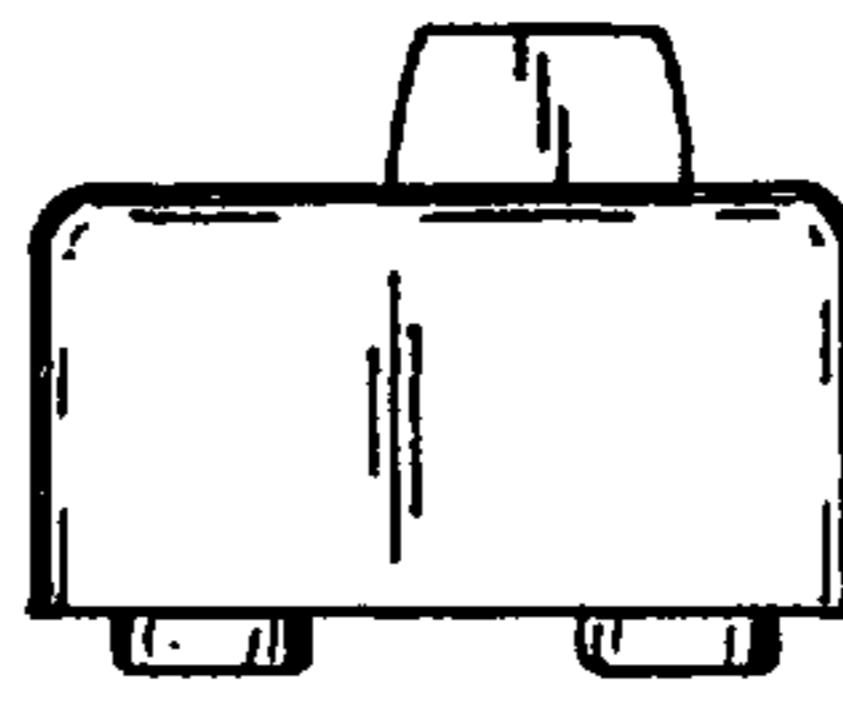


Fig. 4

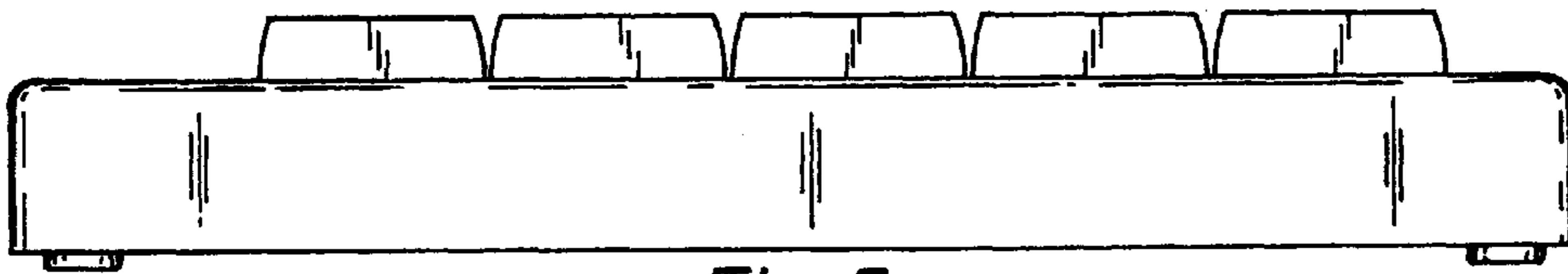


Fig. 5

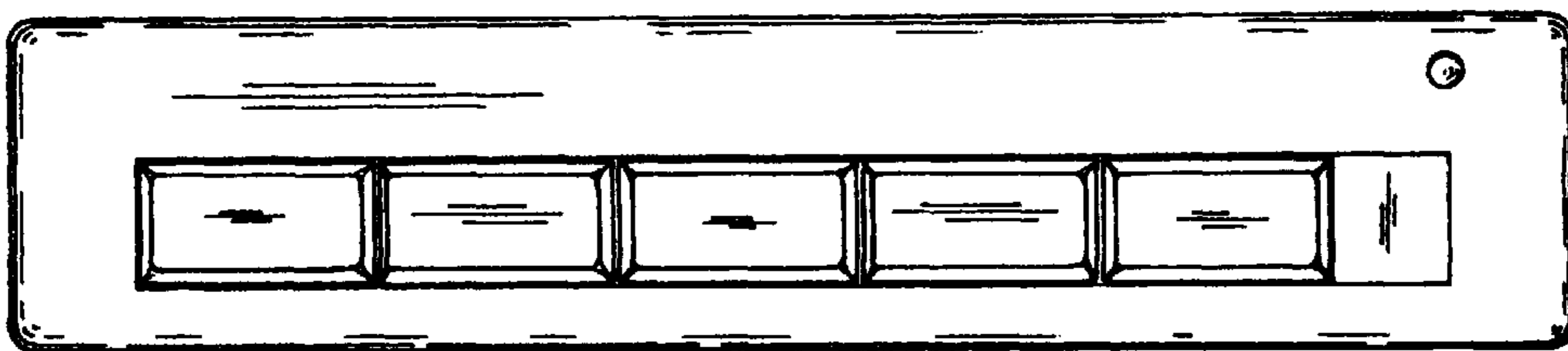


Fig. 6

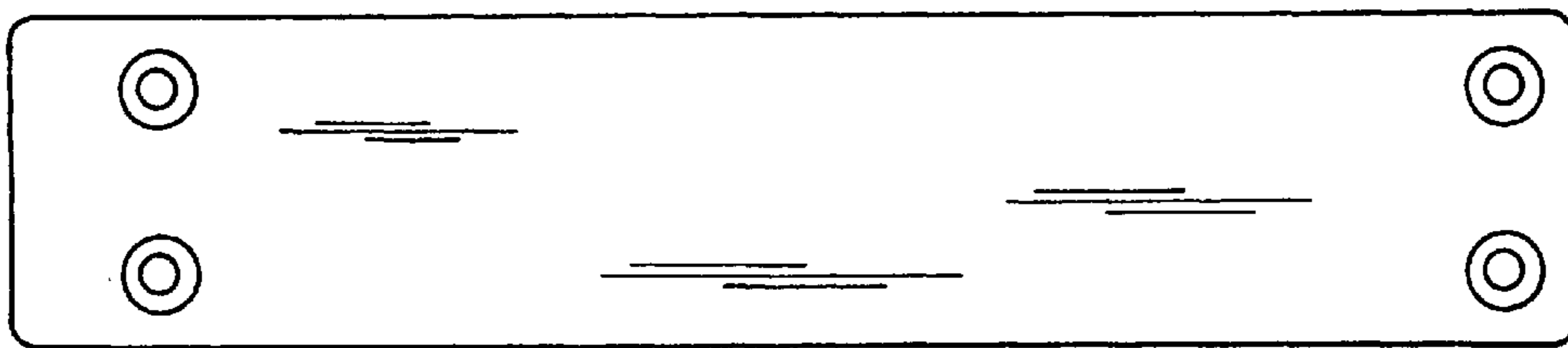


Fig. 7