



US00D428007S

# United States Patent [19]

Yamamoto et al.

[11] Patent Number: **Des. 428,007**

[45] Date of Patent: **\*\* Jul. 11, 2000**

[54] **EXTERNAL PERIPHERAL DEVICE ATTACHMENT HUB/COMPUTER**

[75] Inventors: **Jerry M. Yamamoto; Sean M. MacLeod**, both of Seattle; **Mark Tempel**, Issaquah, all of Wash.

[73] Assignee: **Stratos Product Development LLC**, Seattle, Wash.

[\*\*] Term: **14 Years**

[21] Appl. No.: **29/110,032**

[22] Filed: **Aug. 27, 1999**

[51] **LOC (7) Cl.** ..... **14-02**

[52] **U.S. Cl.** ..... **D14/356; D14/434**

[58] **Field of Search** ..... **D14/356, 358, D14/434; D13/184, 199; 439/95, 248**

### [56] References Cited

#### U.S. PATENT DOCUMENTS

D. 331,749	12/1992	Mizusugi et al. ....	D14/434
D. 361,987	9/1995	Yamazaki .....	D14/434
D. 391,928	3/1998	Kondo et al. ....	D14/434

Primary Examiner—Freda Nunn

Attorney, Agent, or Firm—Ronald M. Anderson

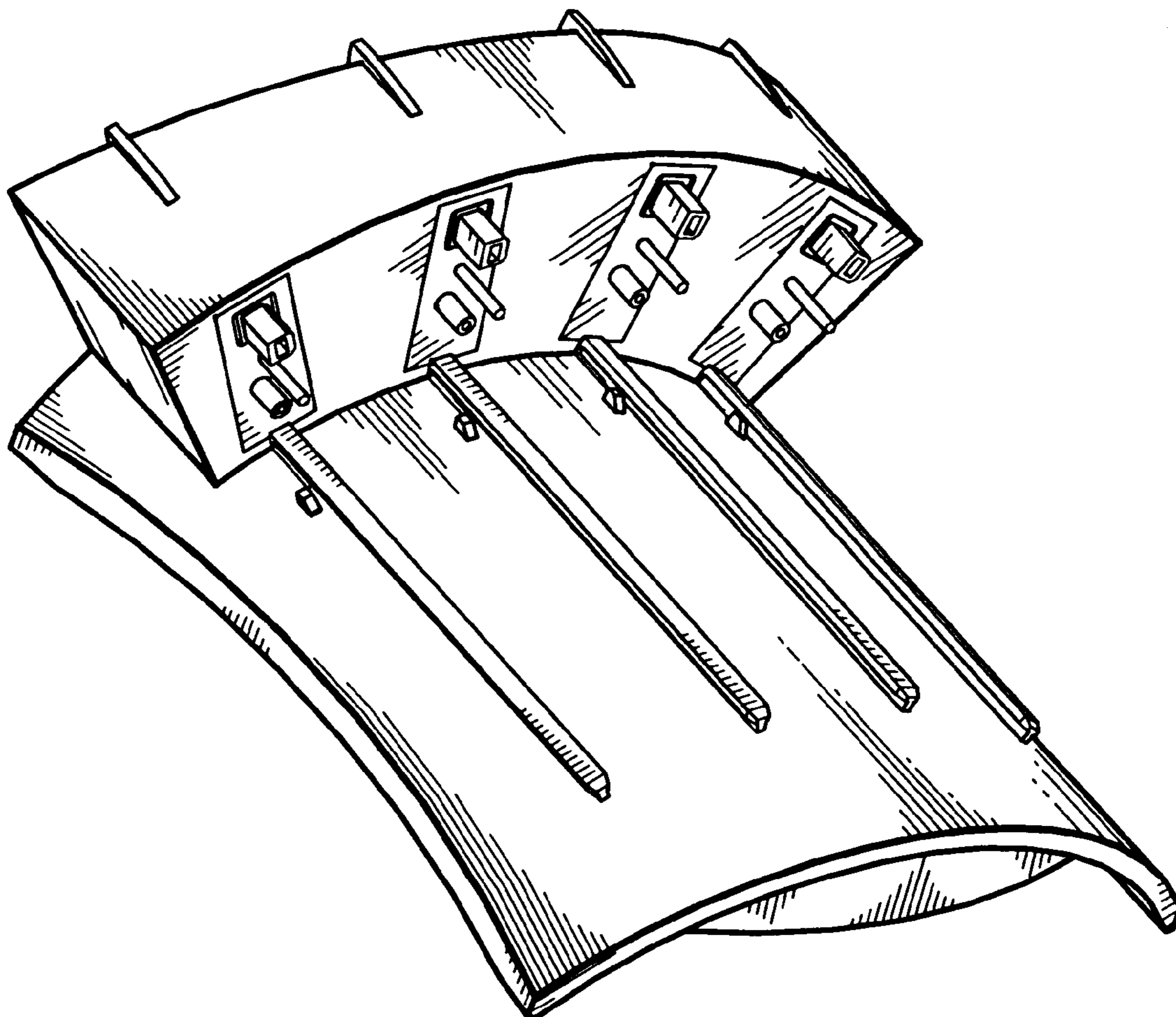
### [57] CLAIM

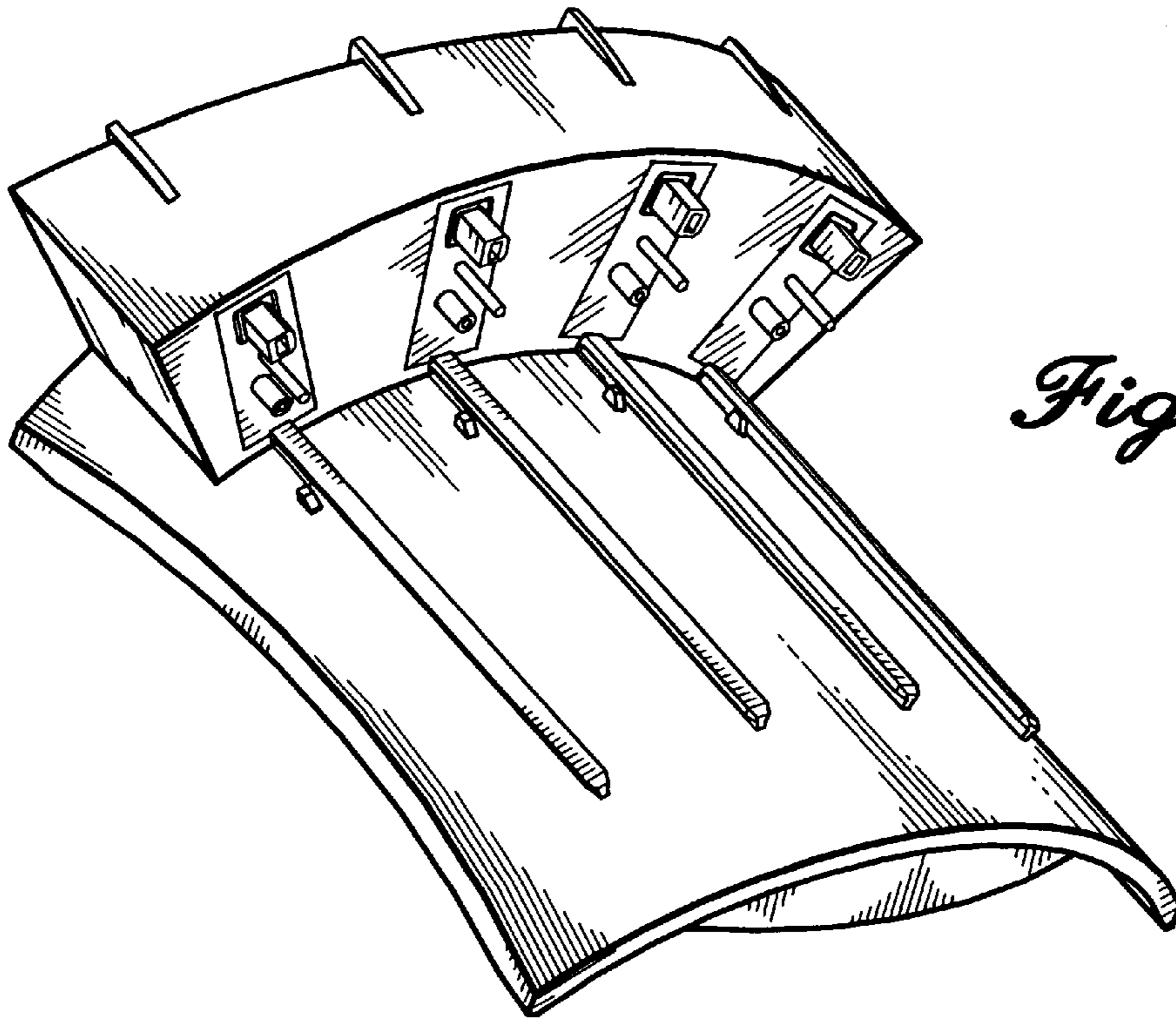
The ornamental design for a external peripheral device attachment hub/computer, as shown and described.

### DESCRIPTION

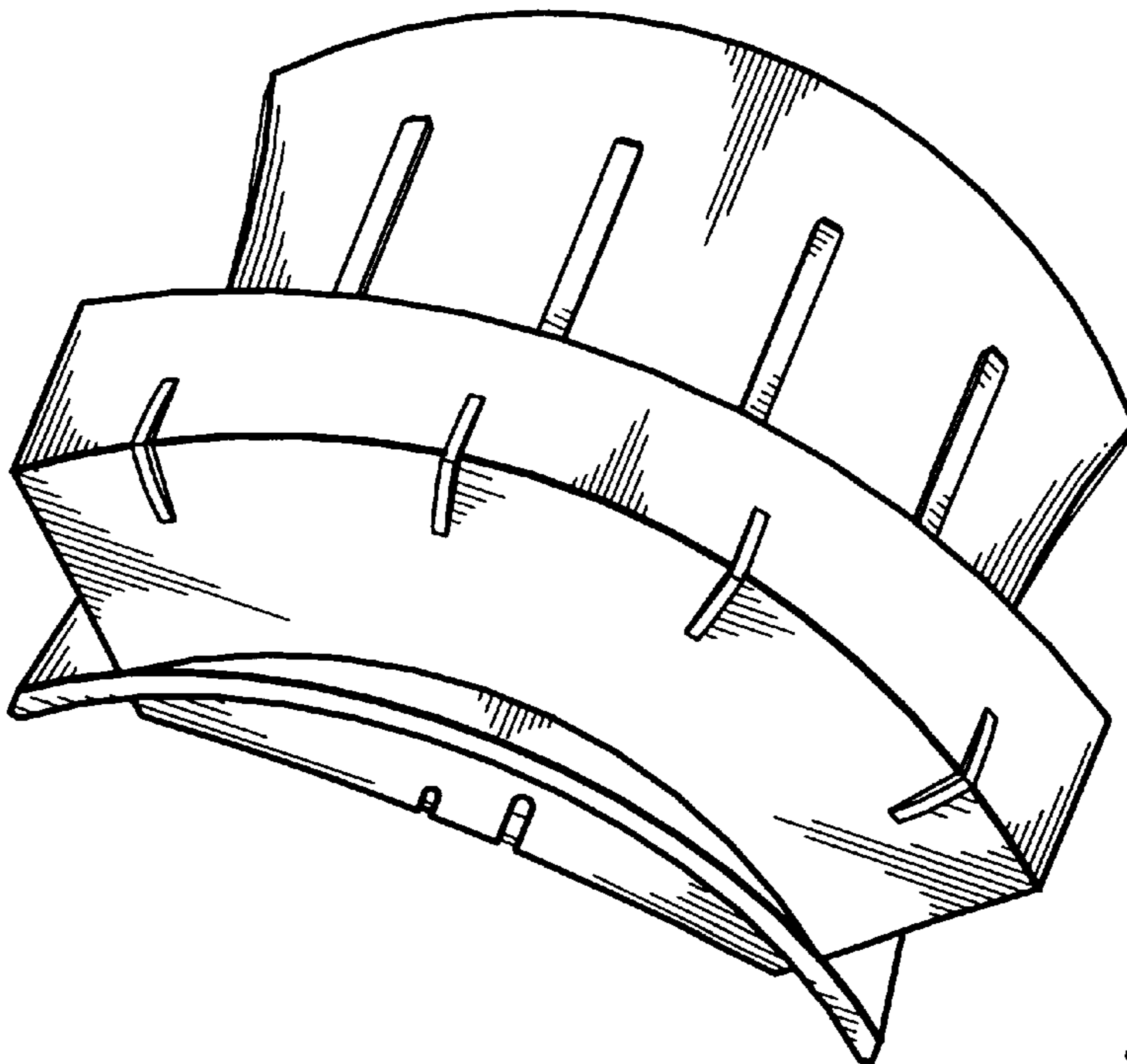
FIG. 1 is an isometric front view of the preferred embodiment;  
 FIG. 2 is an isometric rear view of the preferred embodiment;  
 FIG. 3 is top plan view of the preferred embodiment;  
 FIG. 4 is a bottom plan view of the preferred embodiment;  
 FIG. 5 is a side elevational view of one side of the preferred embodiment;  
 FIG. 6 is a side elevational view of the other side of the preferred embodiment;  
 FIG. 7 is a front elevational view of the preferred embodiment;  
 FIG. 8 is a rear elevational view of the preferred embodiment; and,  
 FIG. 9 is an isometric view of the preferred embodiment with the exemplary external peripheral device being shown in broken lines for illustrative purposes only and forming no part of the claimed design.

1 Claim, 4 Drawing Sheets

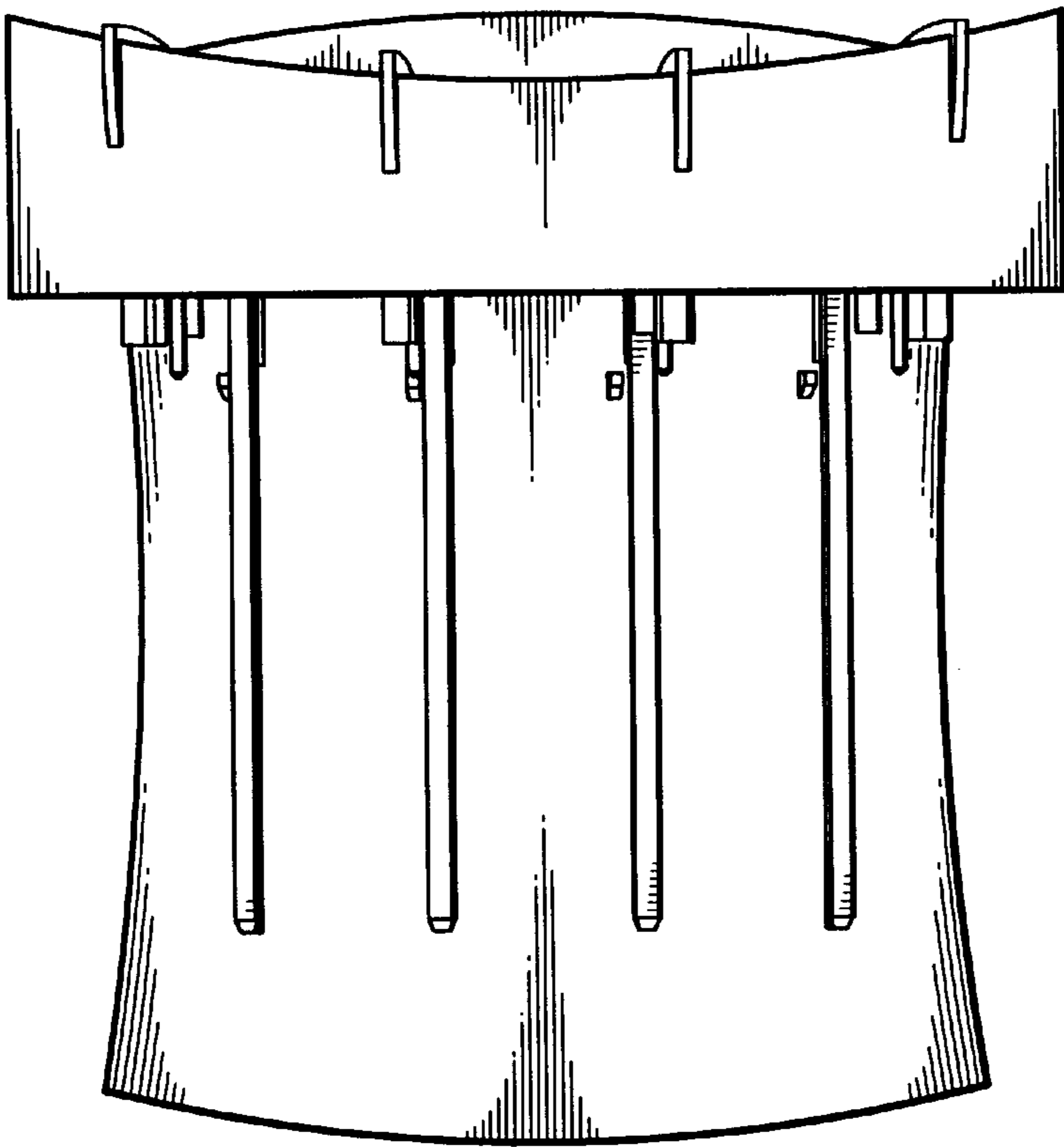




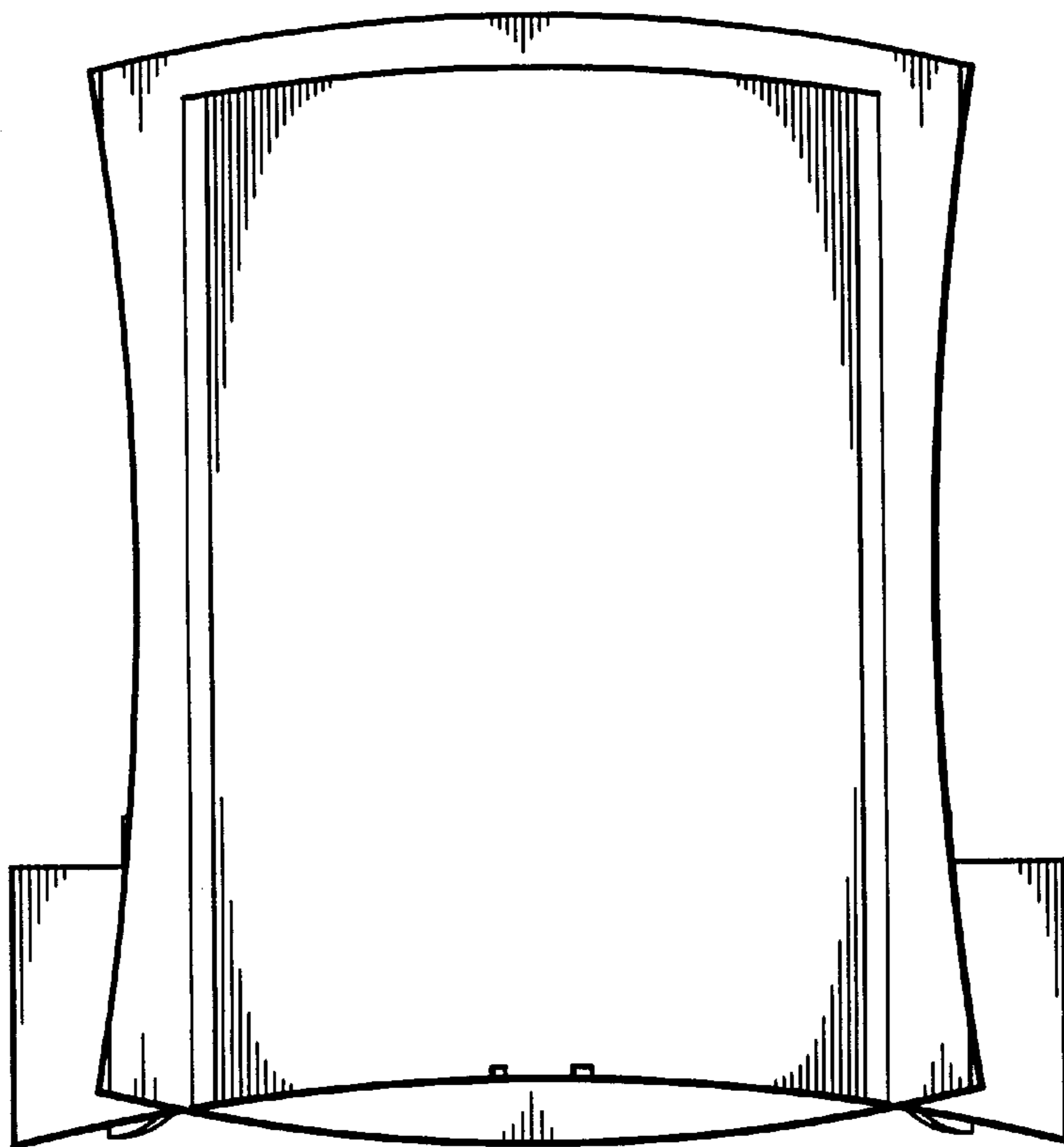
*Fig. 1*



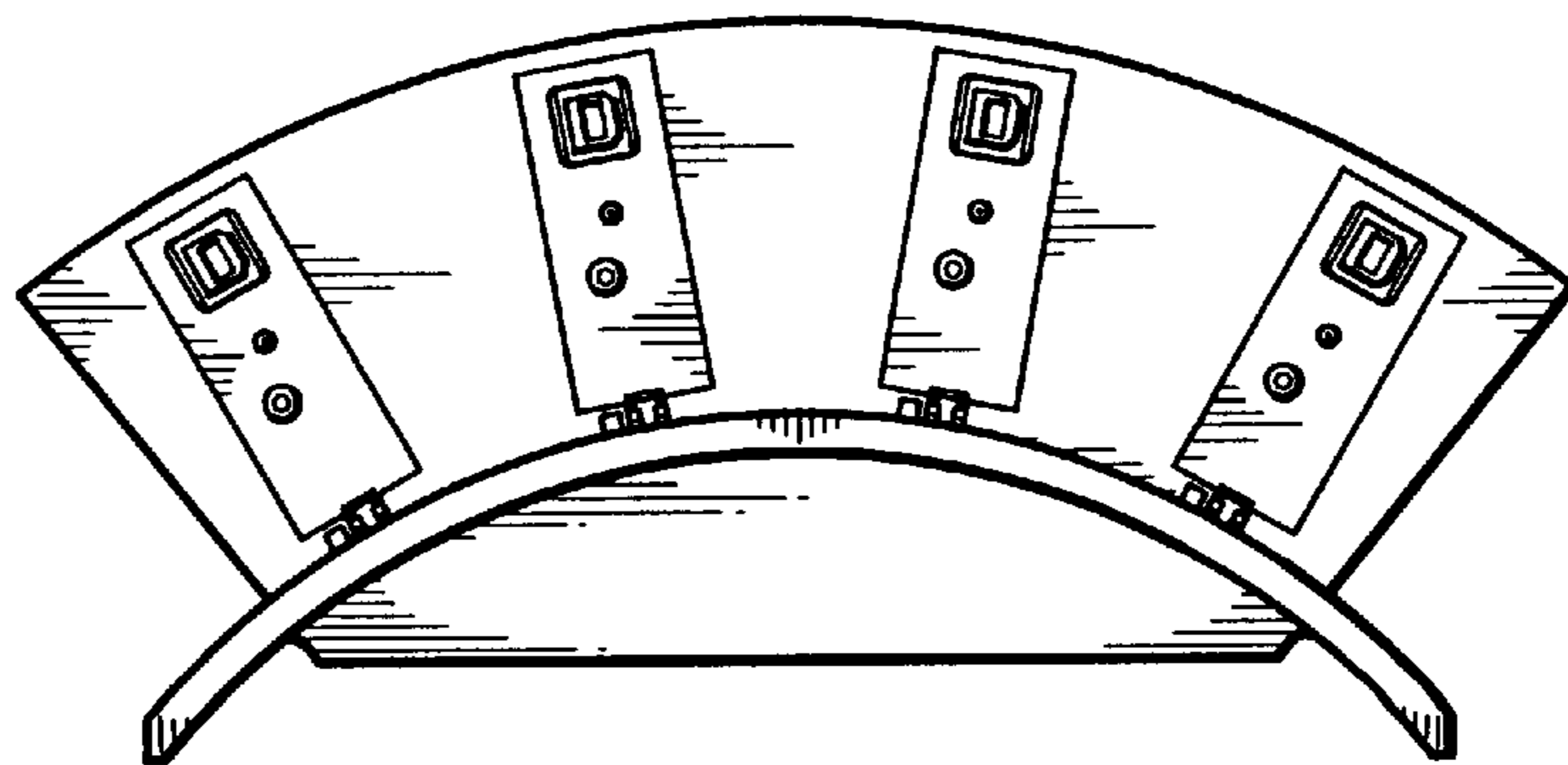
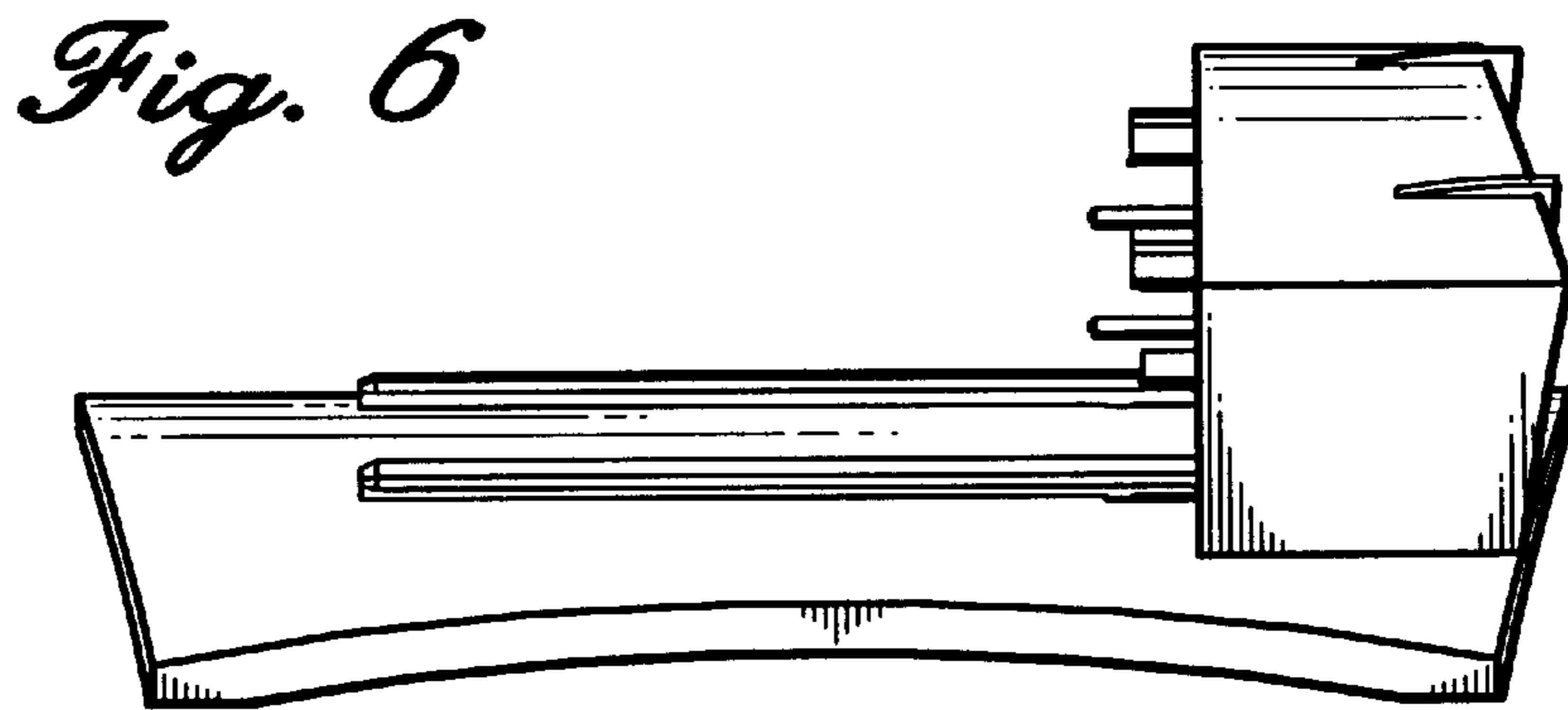
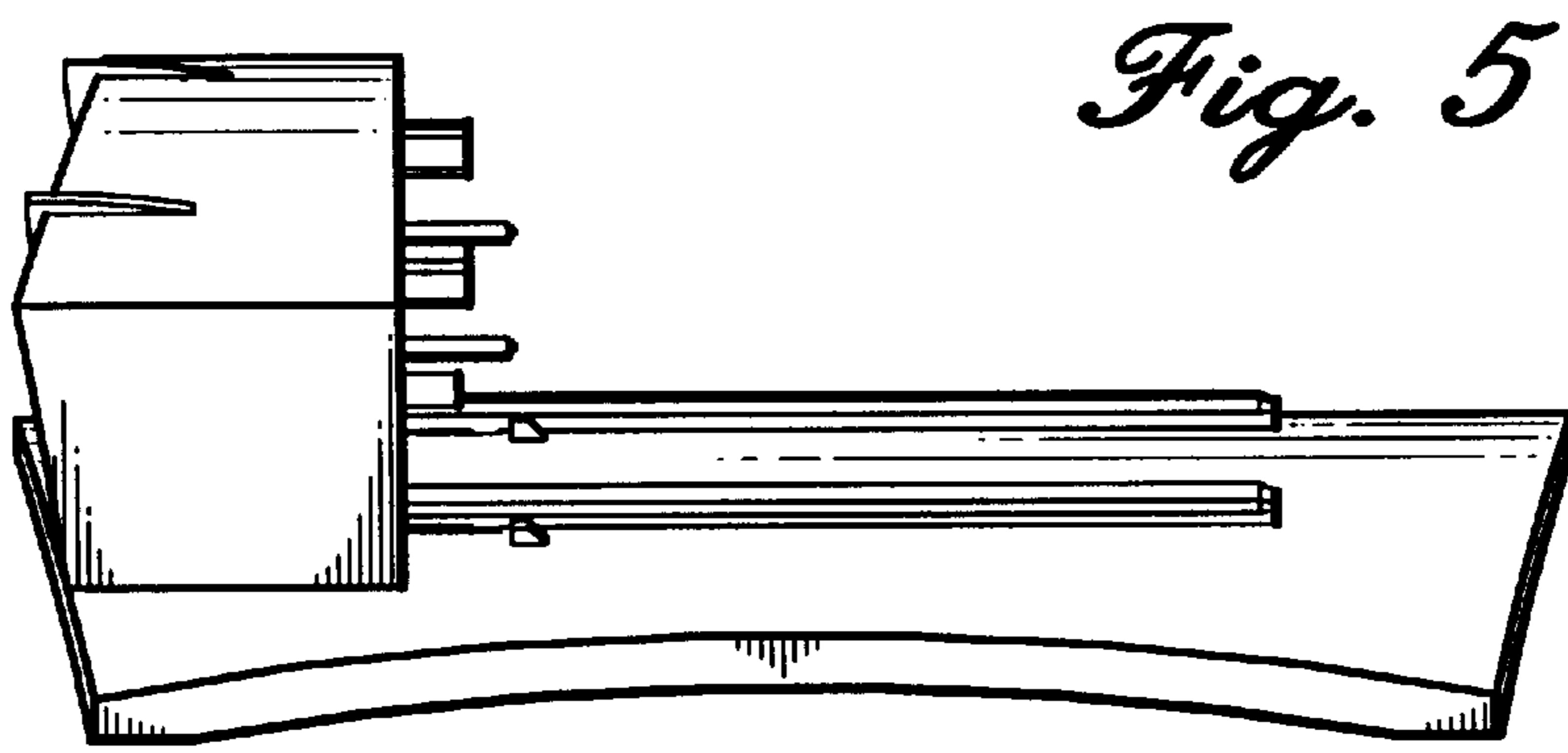
*Fig. 2*



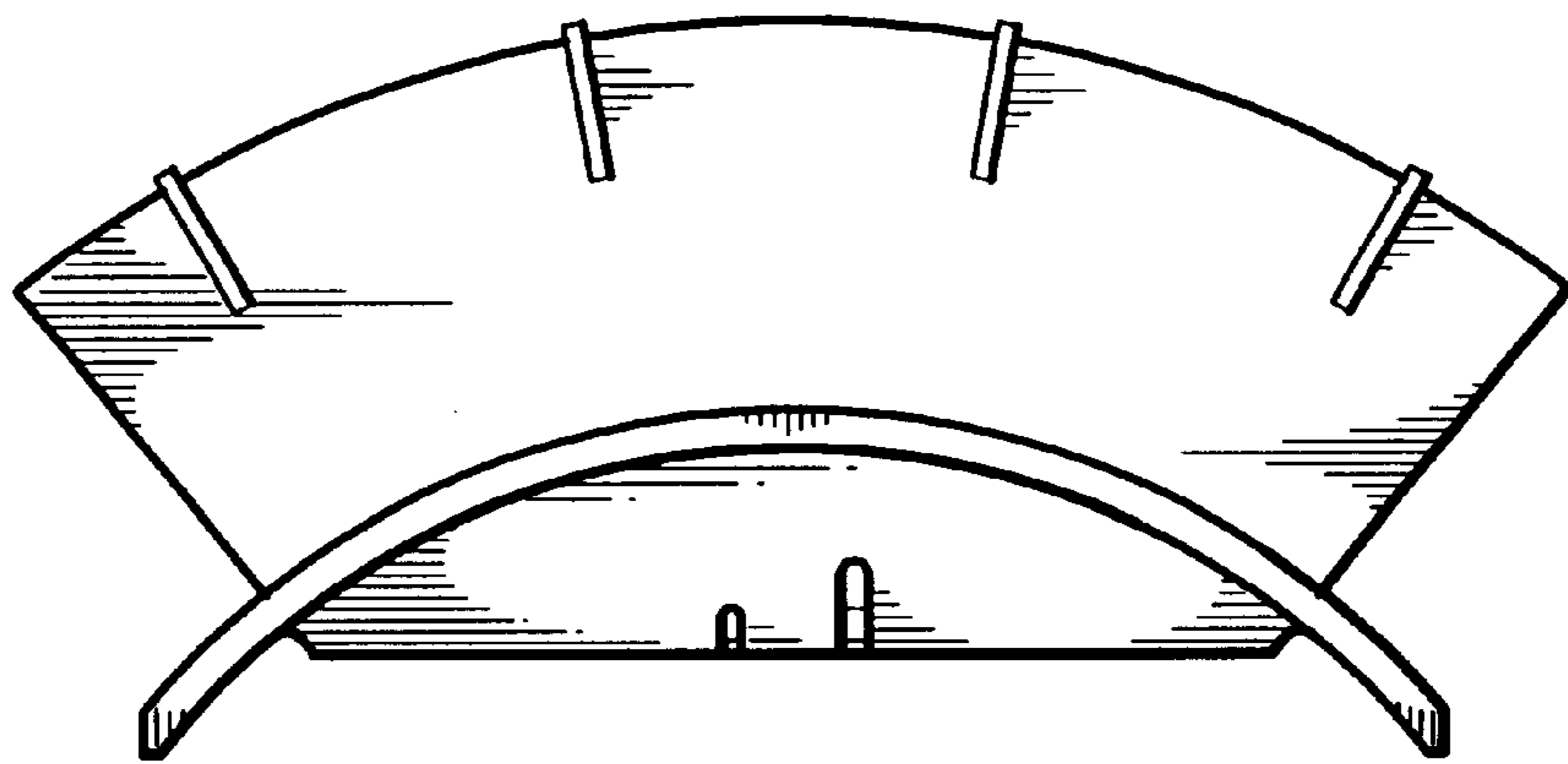
*Fig. 3*



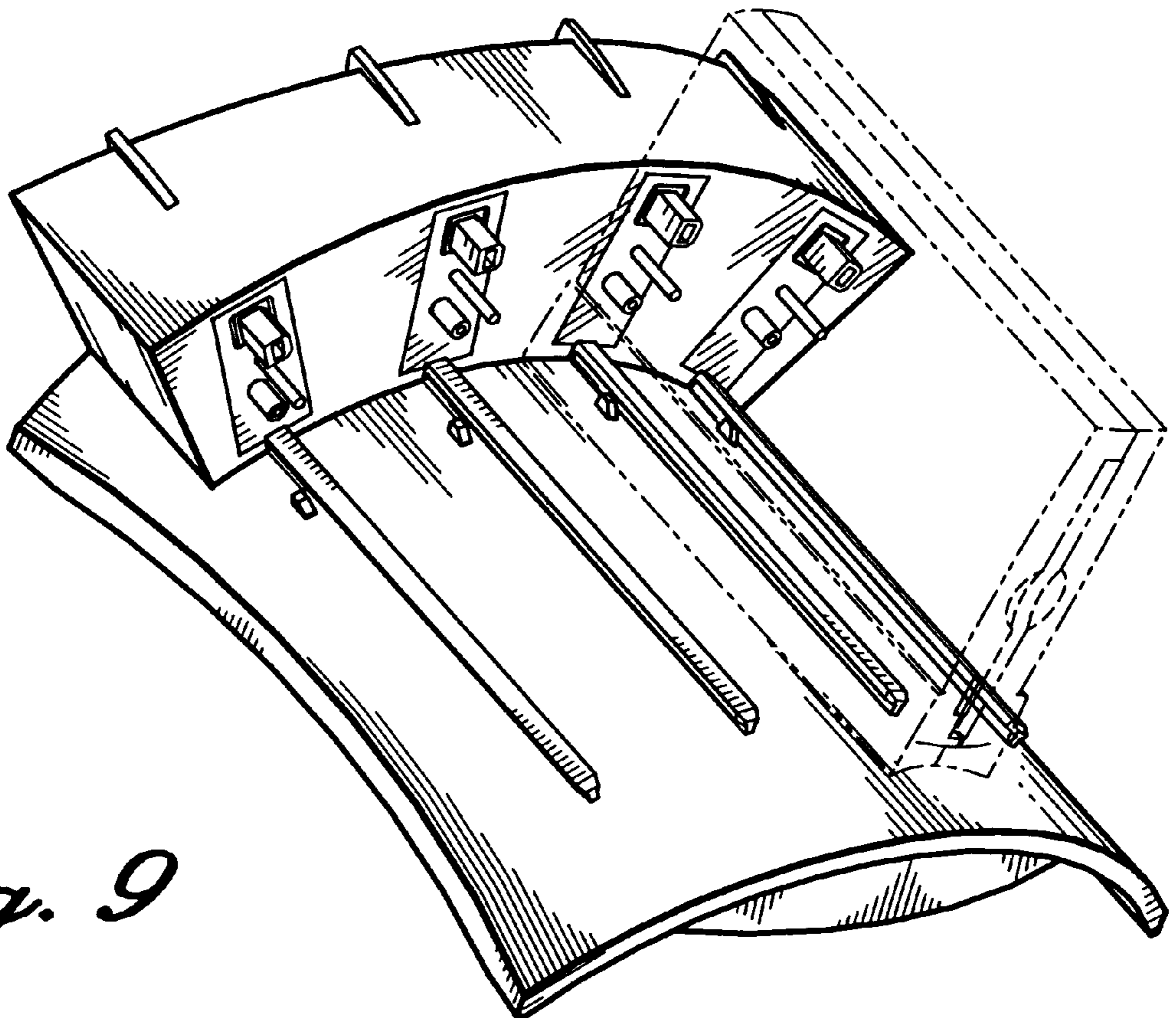
*Fig. 4*



*Fig. 7*



*Fig. 8*



*Fig. 9*