



US00D428005S

United States Patent [19]

Takizawa et al.

[11] Patent Number: **Des. 428,005**

[45] Date of Patent: **** *Jul. 11, 2000**

[54] **COMPUTER**

[75] Inventors: **Kazuhito Takizawa**, Gunma; **Kouzou Maemura**, Tokyo, both of Japan

[73] Assignee: **NEC Corporation**, Tokyo, Japan

[*] Notice: This patent is subject to a terminal disclaimer.

[**] Term: **14 Years**

[21] Appl. No.: **29/103,250**

[22] Filed: **Apr. 12, 1999**

[30] **Foreign Application Priority Data**

Oct. 12, 1998 [JP] Japan 10-29374

[51] **LOC (7) Cl.** **14-02**

[52] **U.S. Cl.** **D14/349**

[58] **Field of Search** D14/100, 102, D14/107-109; D13/162, 184, 199; D6/432, 436, 445, 448; 312/208.1; 360/99.12; 361/694, 696, 683, 685

[56] **References Cited**

U.S. PATENT DOCUMENTS

- D. 322,778 12/1991 Kline et al. D14/100
- D. 384,649 10/1997 Heberling et al. D14/102
- D. 404,378 1/1999 Murphy et al. D14/100

Primary Examiner—Freda Nunn
Attorney, Agent, or Firm—Sughrue, Mion, Zinn, Macpeak & Seas, PLLC

[57] **CLAIM**

The ornamental design for a computer, as shown.

DESCRIPTION

FIG. 1 is a perspective view of the top, front and right side of a computer showing our new design; FIG. 2 is a top plan view thereof; FIG. 3 is a bottom plan view thereof; FIG. 4 is a front elevational view thereof; FIG. 5 is a rear elevational view thereof; FIG. 6 is a right side elevational view thereof; and, FIG. 7 is a left side elevational view thereof.

1 Claim, 4 Drawing Sheets

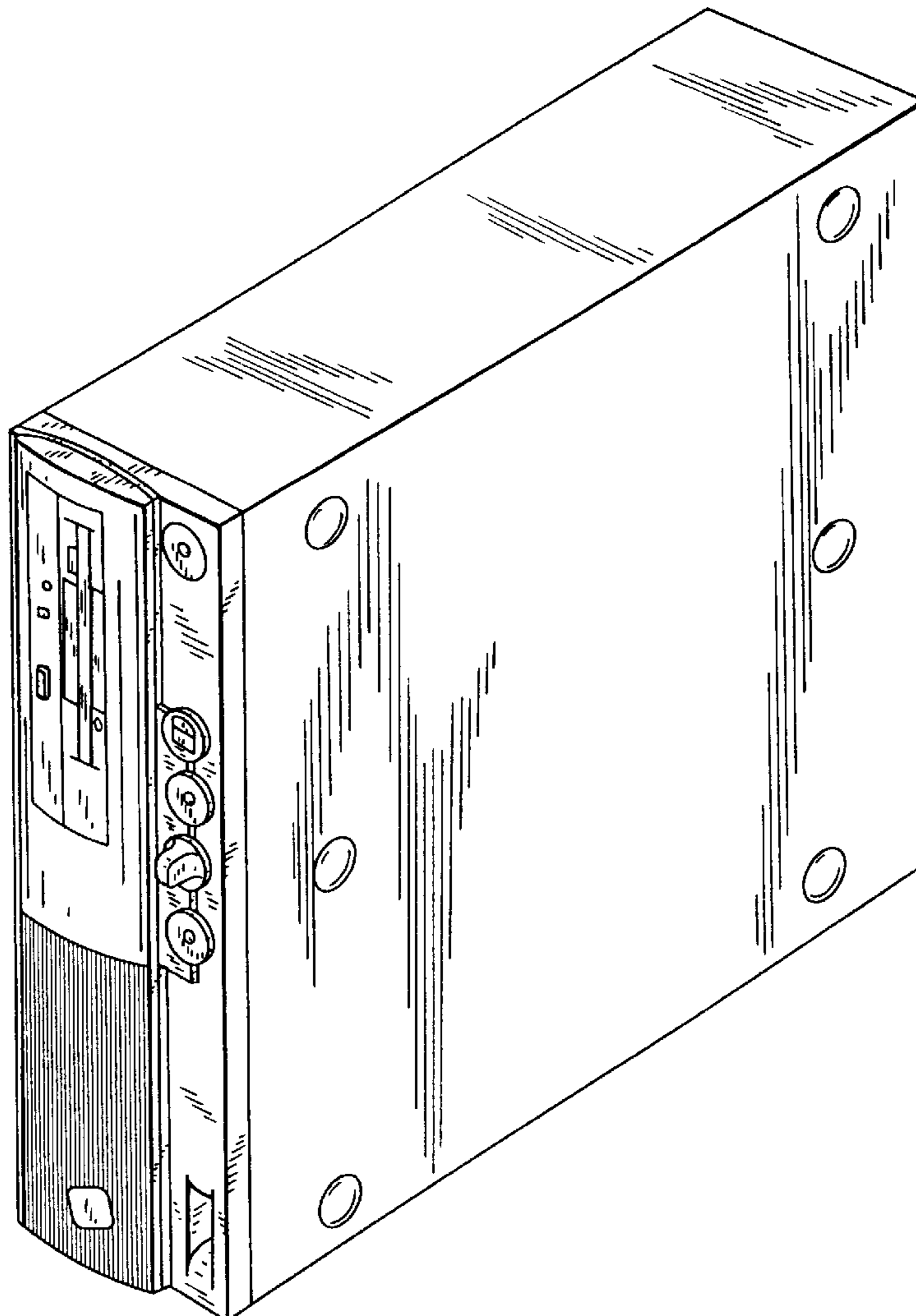


FIG. 1

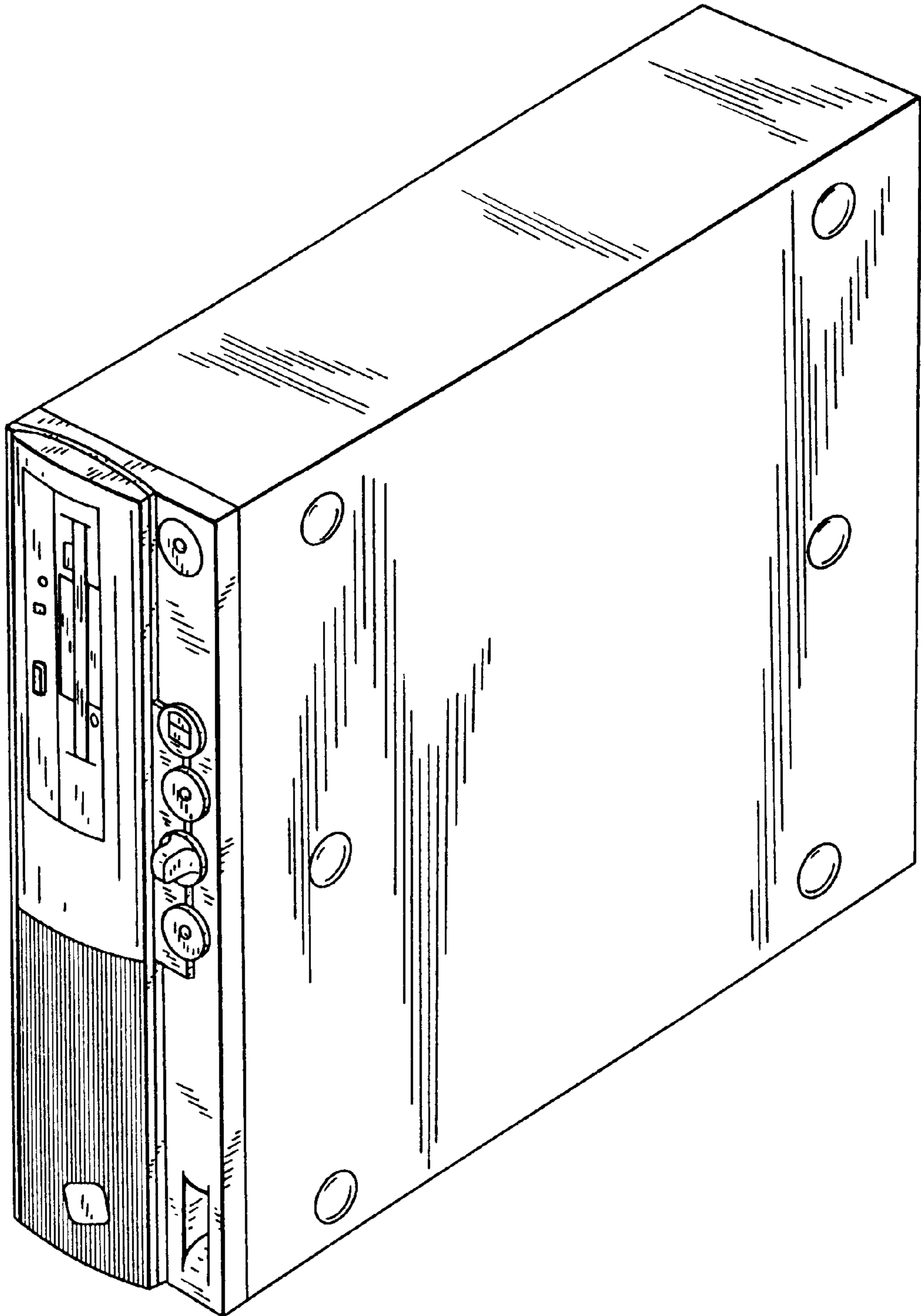


FIG. 2

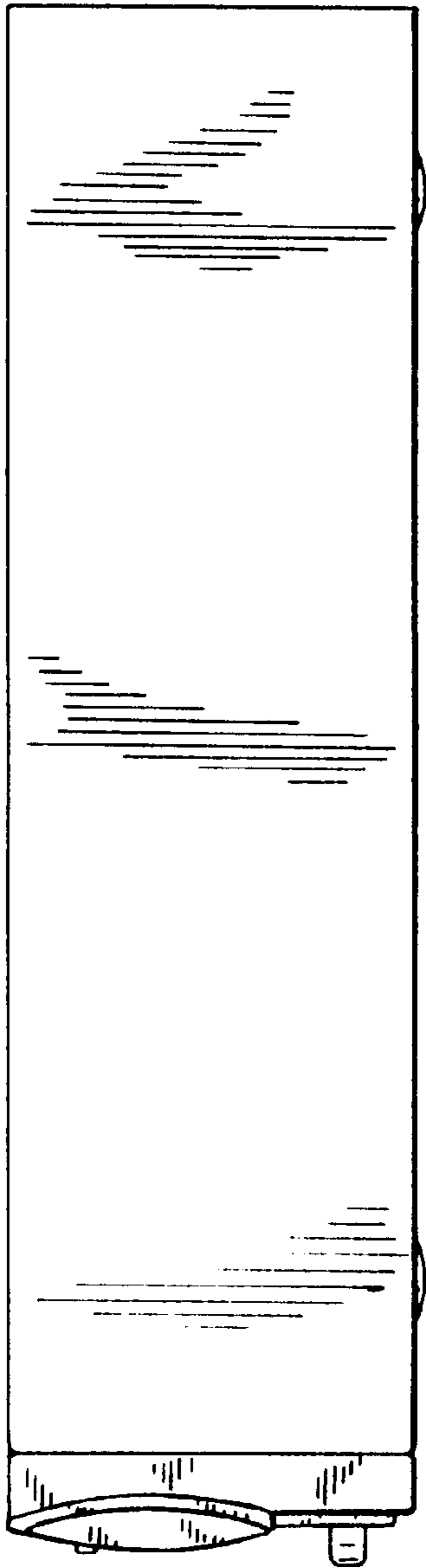


FIG. 3

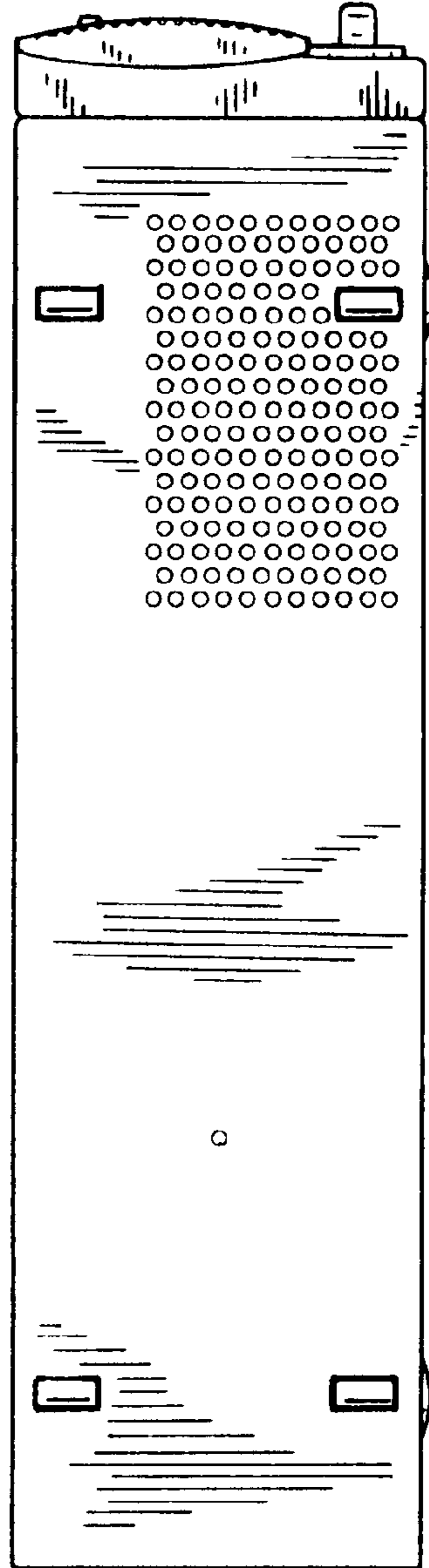


FIG. 4

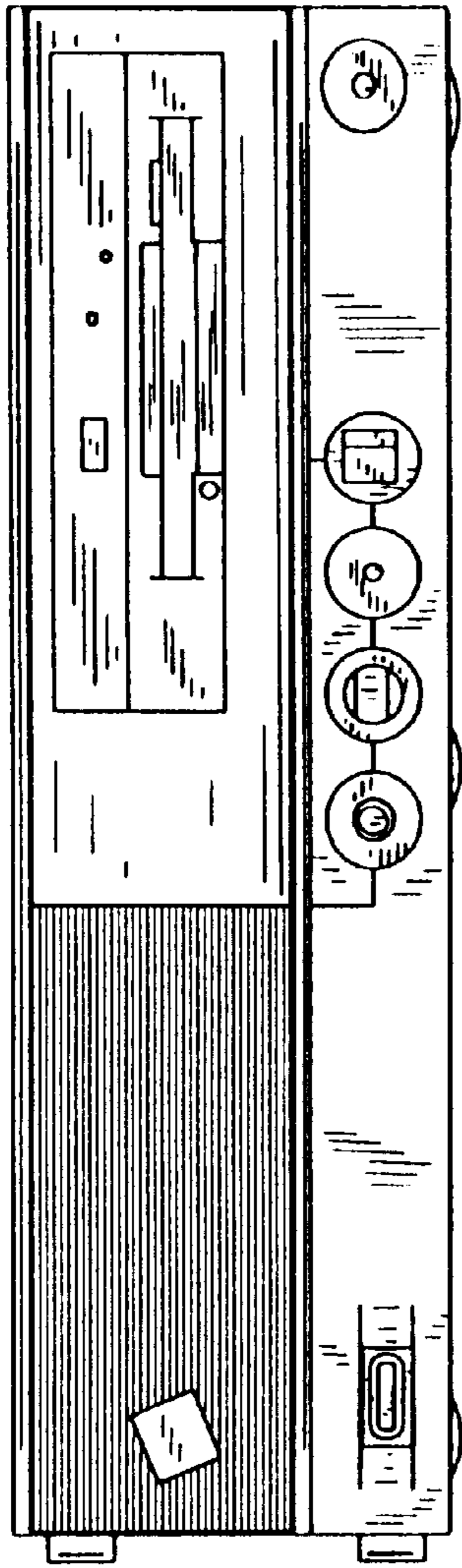


FIG. 5

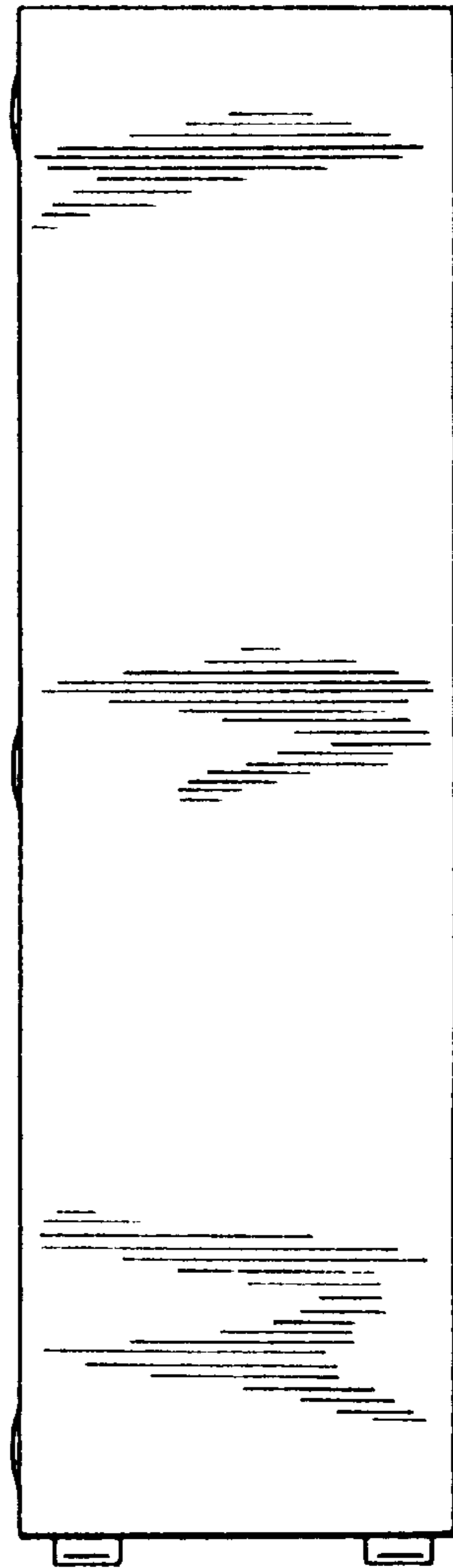


FIG. 6

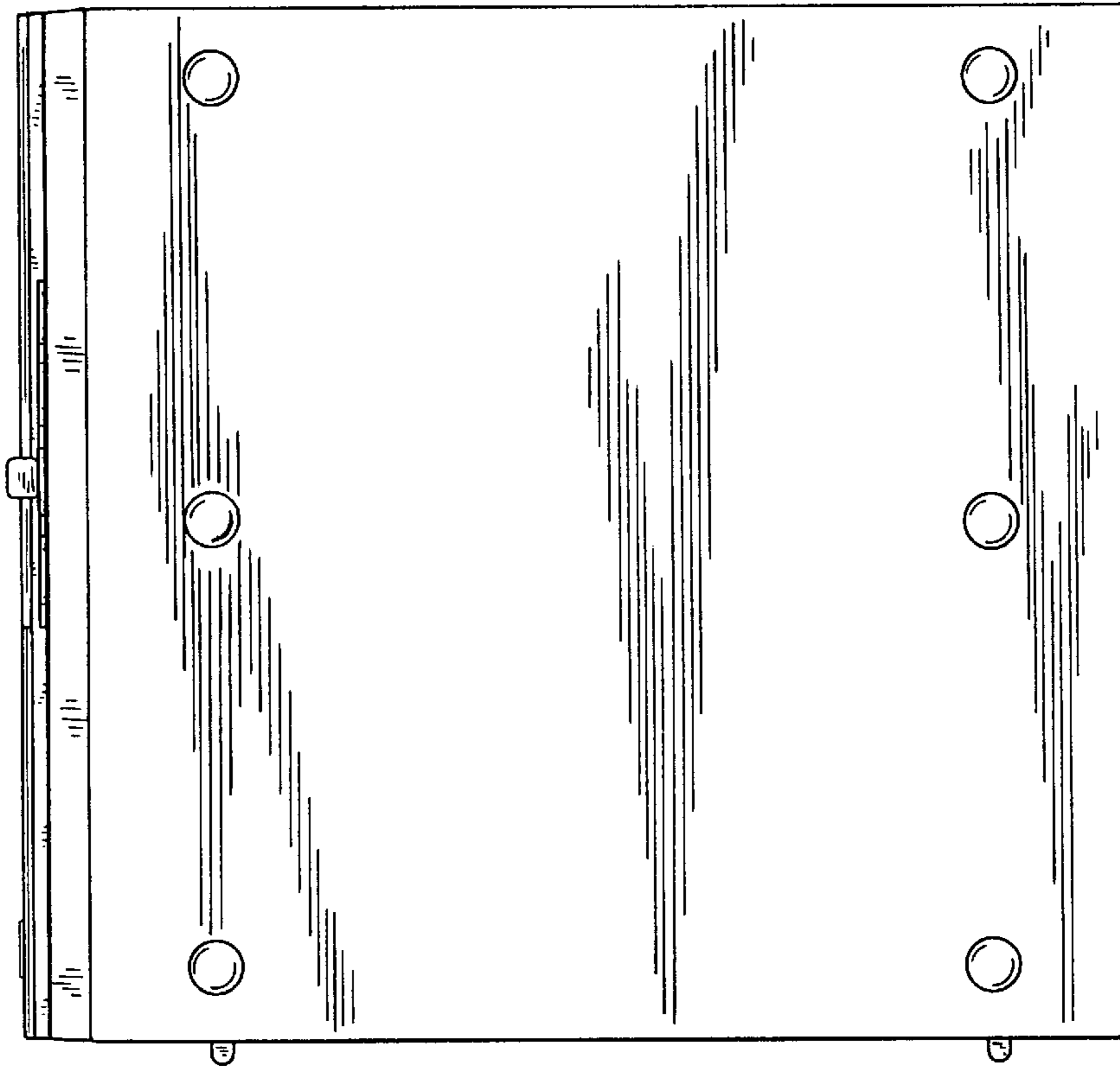


FIG. 7

