



US00D428003S

United States Patent [19]

Lee et al.

[11] **Patent Number: Des. 428,003**

[45] **Date of Patent: ** Jul. 11, 2000**

[54] **NOTEBOOK COMPUTER**

[75] Inventors: **Chia-Chun Lee; Chih-Wen Chiang,**
both of Taipei, Taiwan

[73] Assignee: **Compal Electronics, Inc.,** Taiwan

[**] Term: **14 Years**

[21] Appl. No.: **29/110,055**

[22] Filed: **Aug. 31, 1999**

[51] **LOC (7) Cl. 14-02**

[52] **U.S. Cl. D14/315**

[58] **Field of Search** D14/315, 318,
D14/319, 333; D18/1, 2, 7; 235/145 A,
145 R; 341/22, 23; 345/104, 156, 168,
169, 173; 361/680-686; 364/708.1

[56] **References Cited**

U.S. PATENT DOCUMENTS

D. 348,444 7/1994 Papademetriou et al. D14/315

D. 358,376 5/1995 Poon D14/315
D. 366,251 1/1996 Rak et al. D14/315
D. 391,927 3/1998 Faranda et al. D14/318
D. 402,968 12/1998 Wolff et al. D14/318

Primary Examiner—Freda Nunn
Attorney, Agent, or Firm—Pillsbury Madison & Sutro LLP

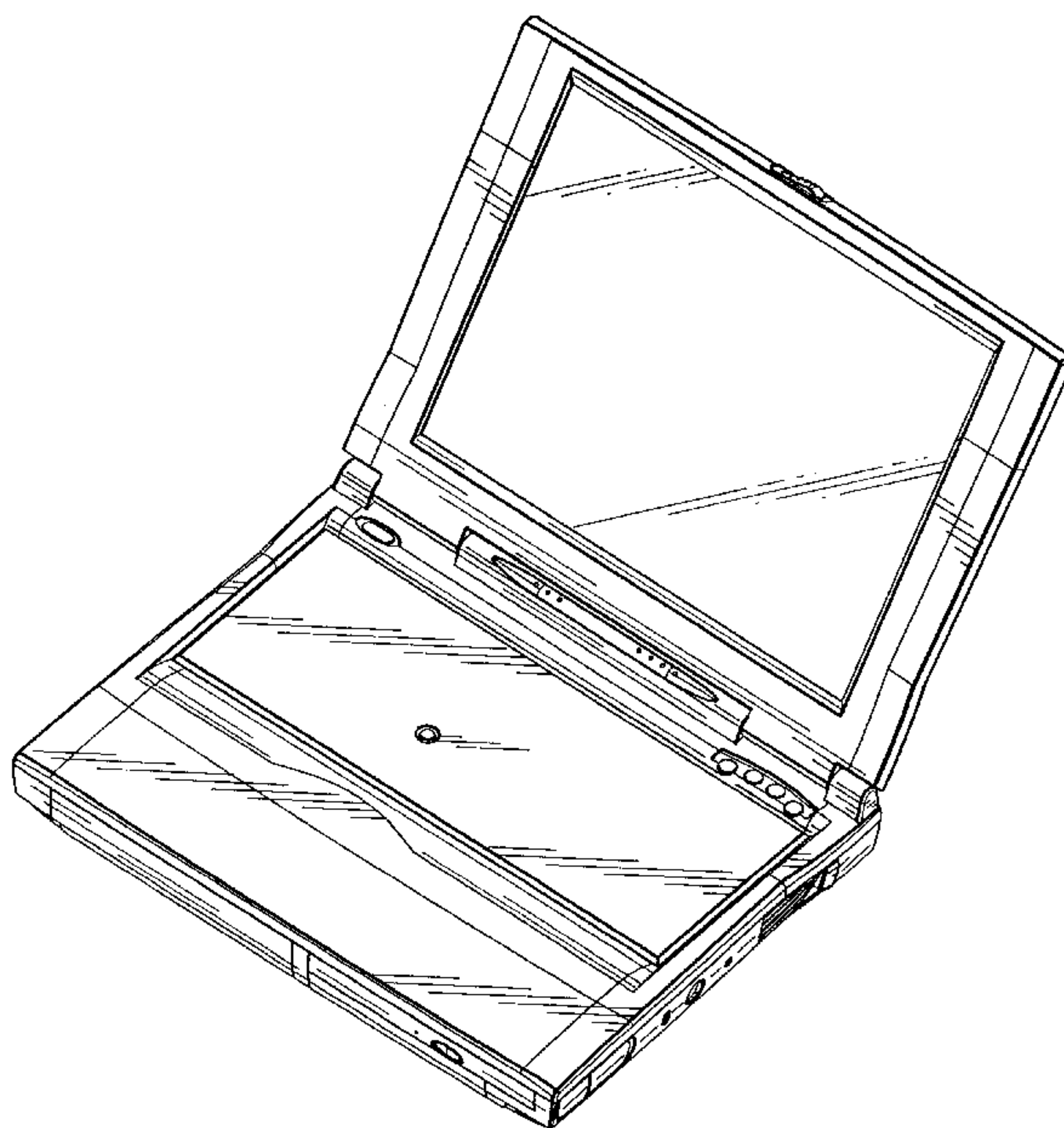
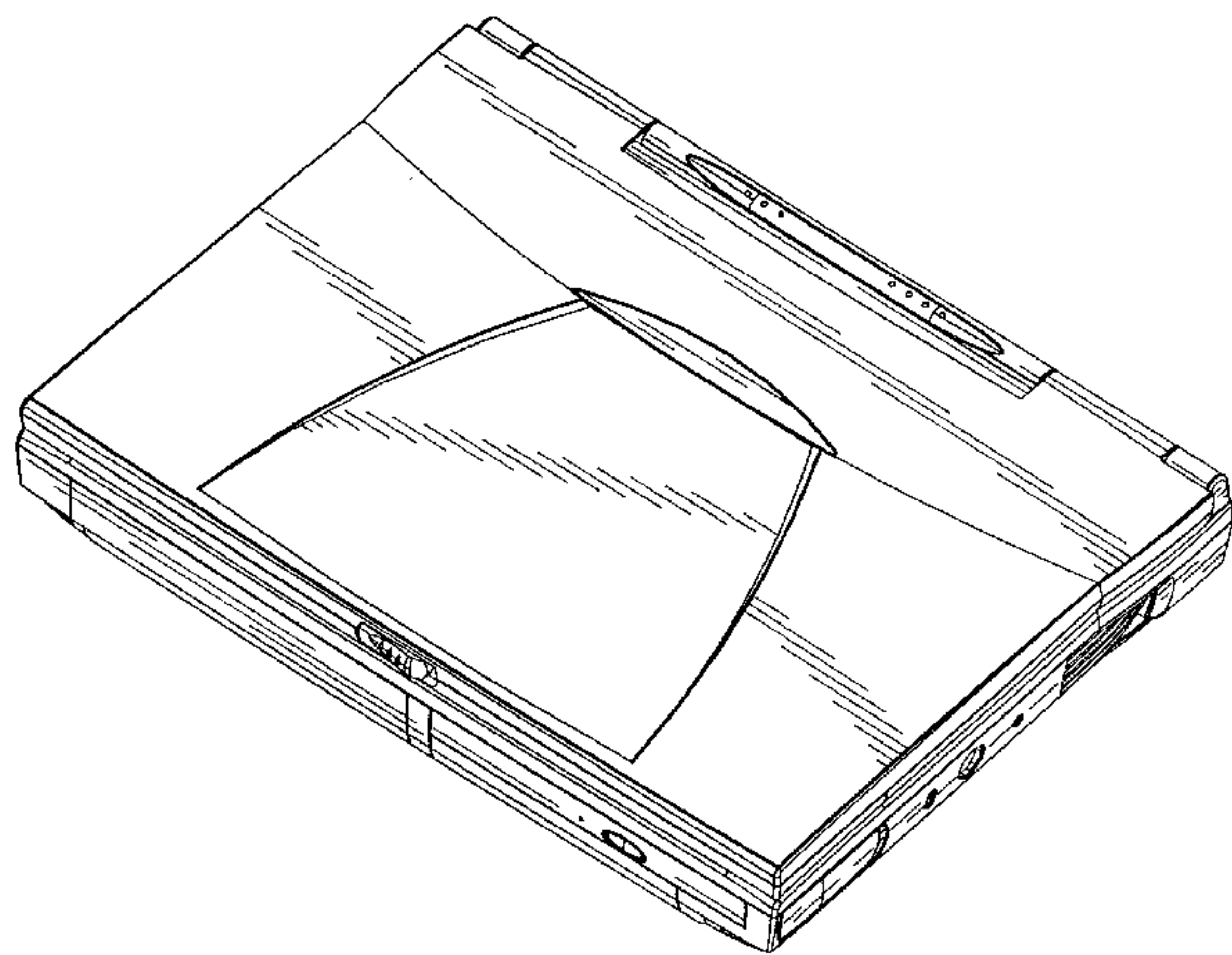
[57] **CLAIM**

The ornamental design for a notebook computer, as shown and described.

DESCRIPTION

FIG. 1 is a perspective view of notebook computer showing my new design;
FIG. 2 is a front elevational view thereof;
FIG. 3 is a rear elevational view thereof;
FIG. 4 is a left side elevational view thereof;
FIG. 5 is a right side elevational view thereof;
FIG. 6 is a top plan view thereof;
FIG. 7 is a bottom plan view thereof; and,
FIG. 8 is another perspective view in use.

1 Claim, 4 Drawing Sheets



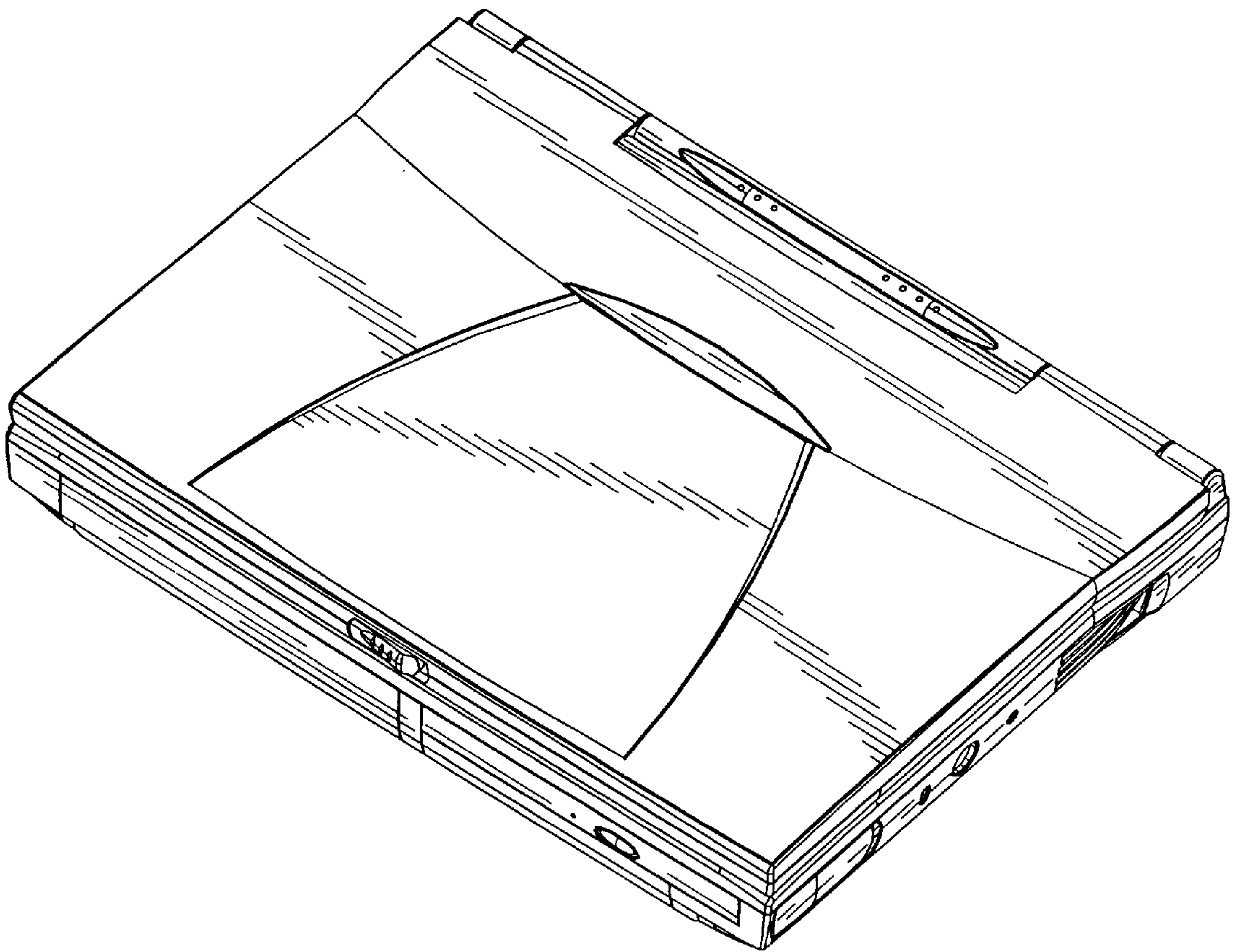


FIG. 1

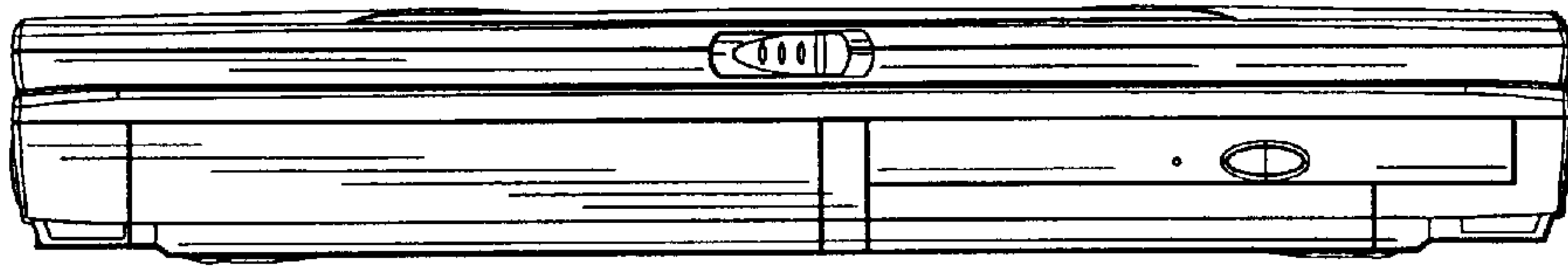


FIG. 2

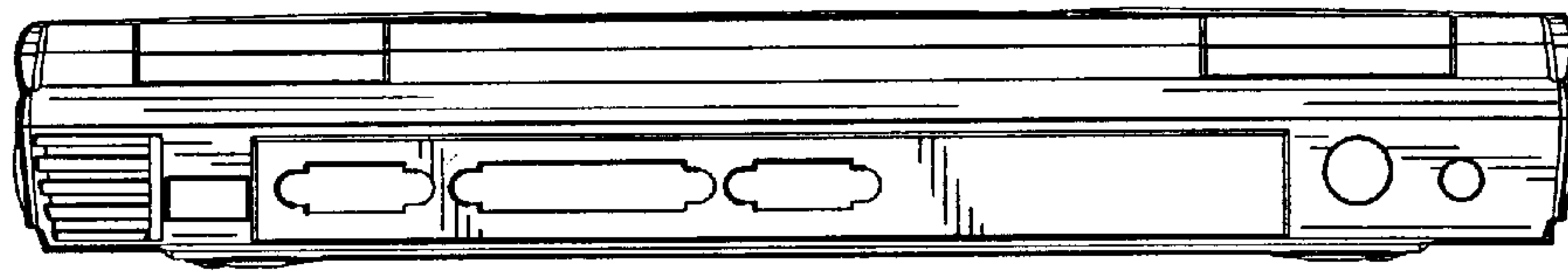


FIG. 3

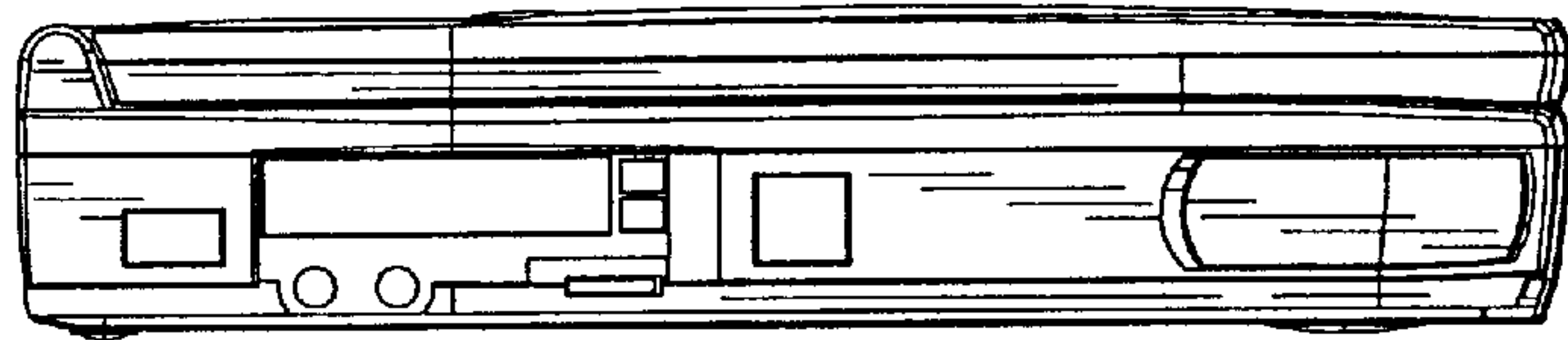


FIG. 4

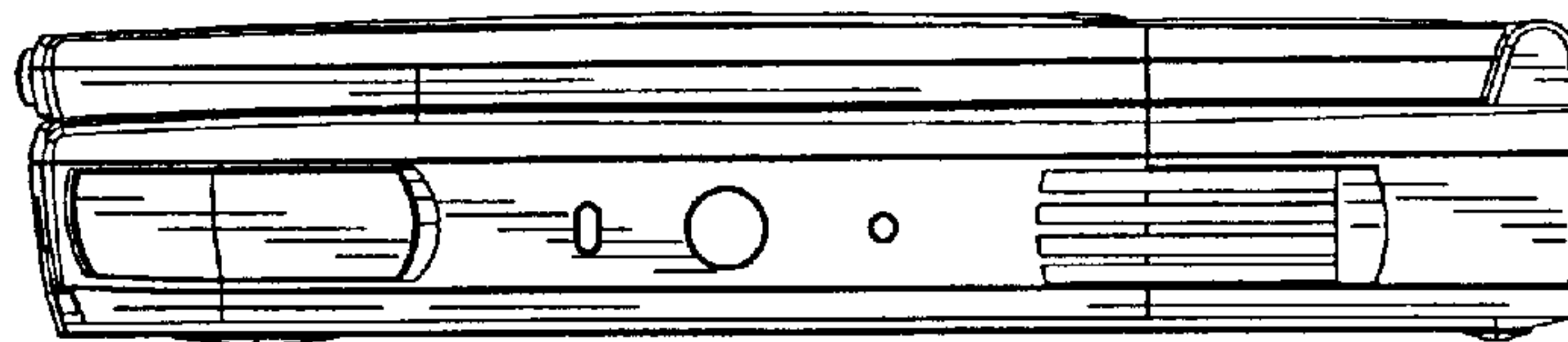


FIG. 5

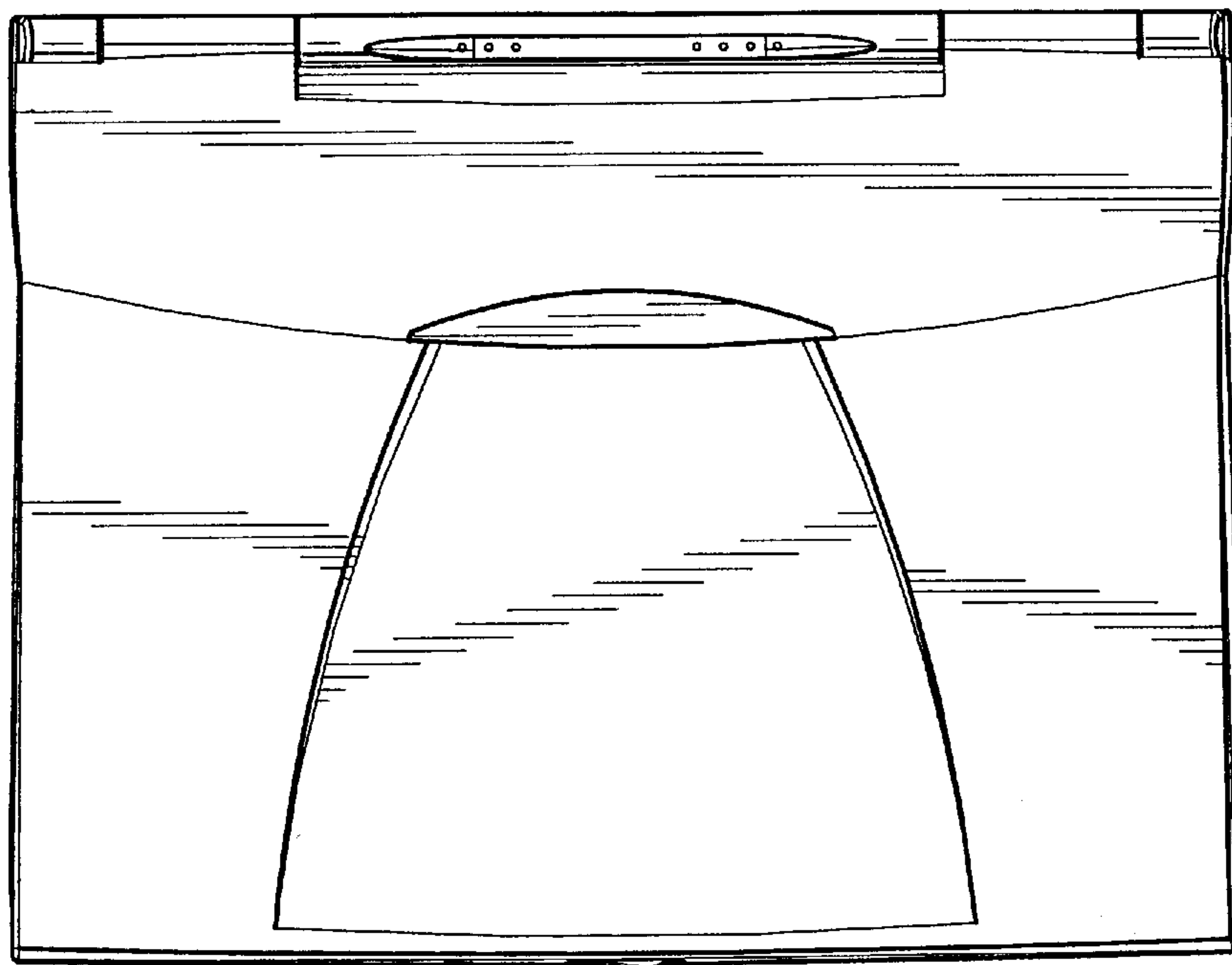


FIG. 6

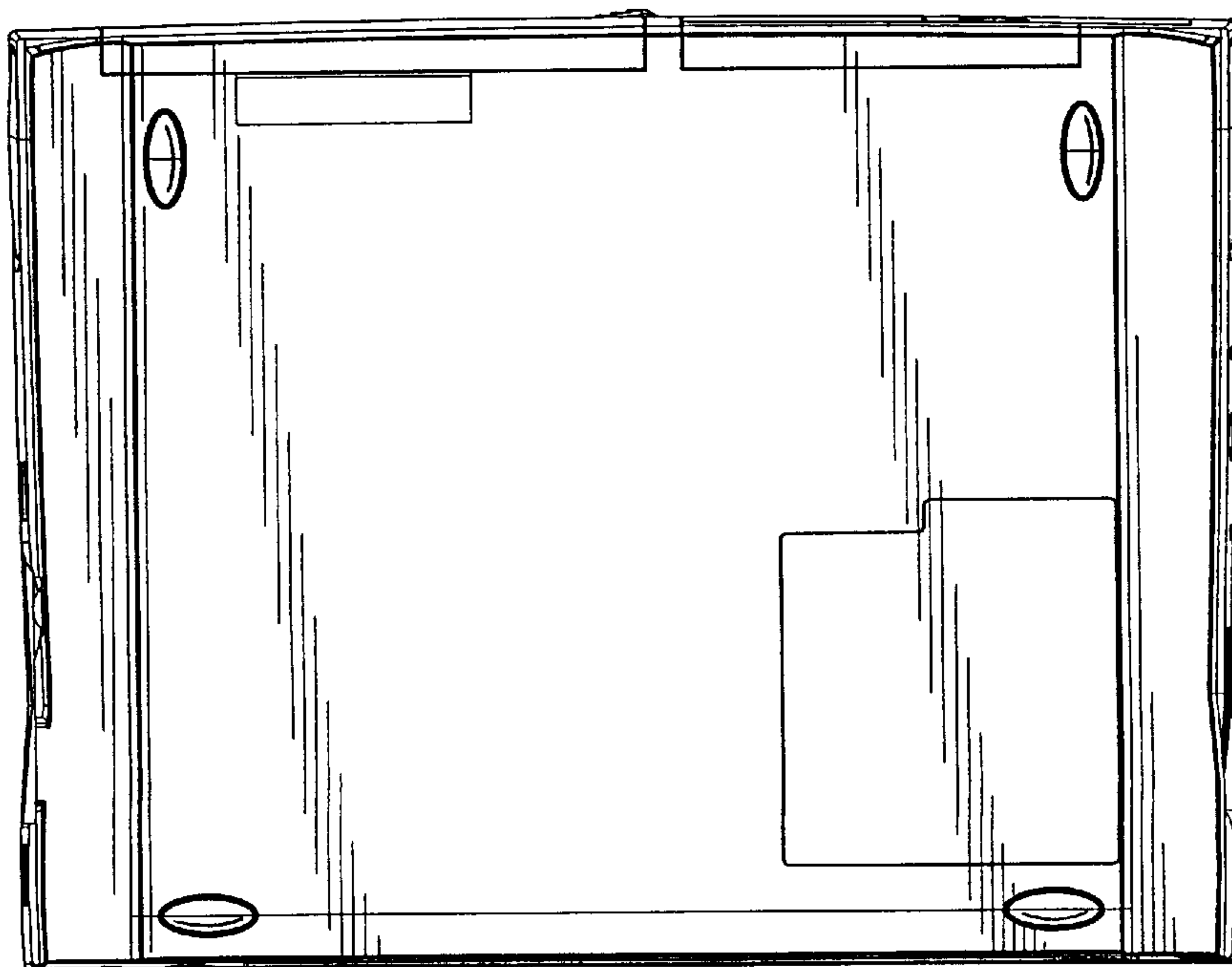


FIG. 7

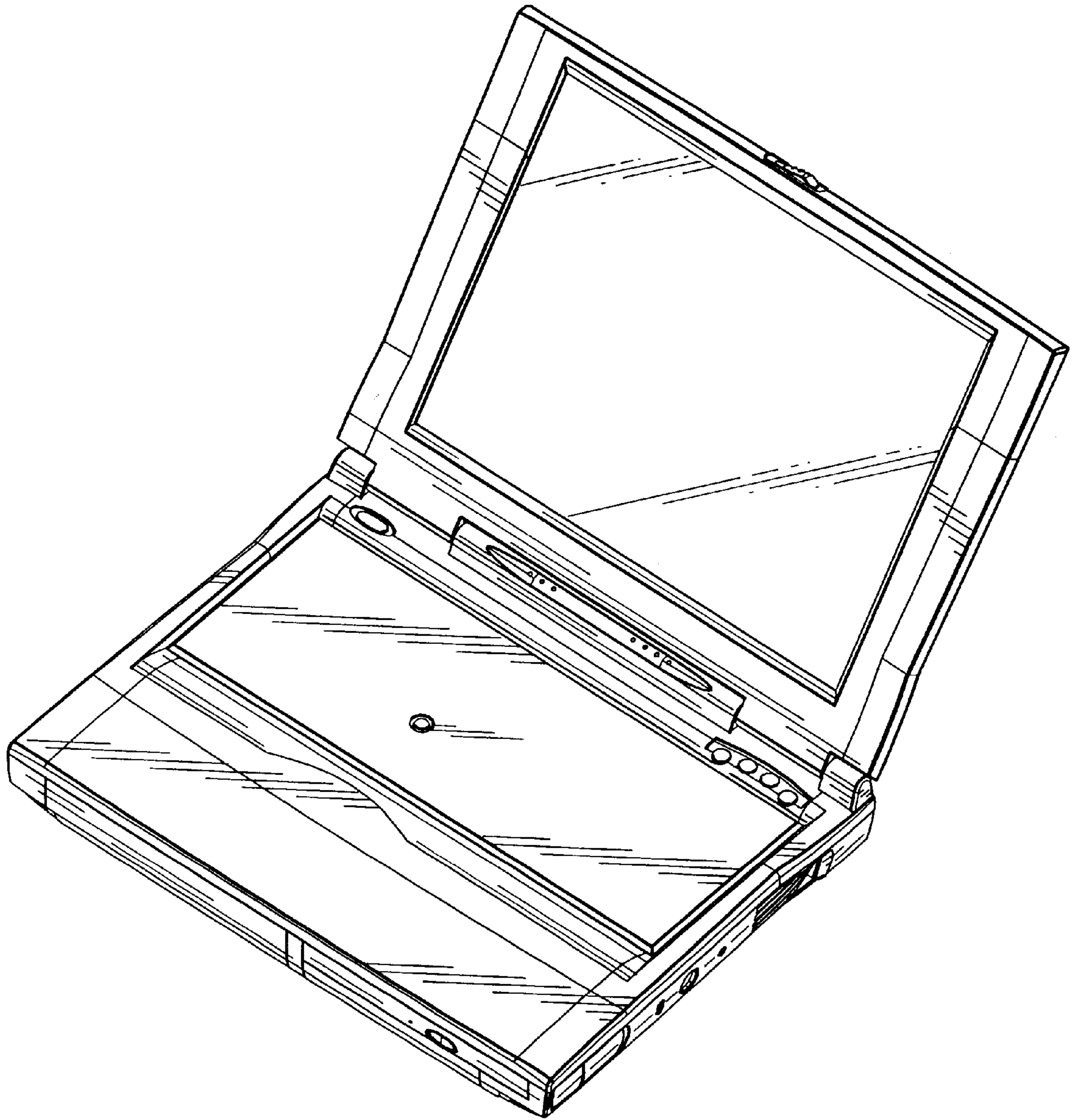


FIG. 8