



US00D428002S

United States Patent [19] Lindahl

[11] **Patent Number: Des. 428,002**
[45] **Date of Patent: ** Jul. 11, 2000**

[54] **HANDSFREE CRADLE FOR TELEPHONE**

[75] Inventor: **Richard Lindahl**, Malmö, Sweden

[73] Assignee: **Telefonaktiebolaget LM Ericsson**, Stockholm, Sweden

[**] Term: **14 Years**

[21] Appl. No.: **29/108,192**

[22] Filed: **Jul. 23, 1999**

[30] **Foreign Application Priority Data**

Jan. 26, 1999 [SE] Sweden 99-0155

[51] **LOC (7) Cl.** **14-03**

[52] **U.S. Cl.** **D14/253**

[58] **Field of Search** D14/137, 138, D14/148, 147, 149-151, 140-142, 240, 241, 251, 253; 379/433-436, 419, 420, 428, 440, 454, 455, 446, 447; D13/107, 108; 320/110, 113, 114, 115

[56] **References Cited**

U.S. PATENT DOCUMENTS

- D. 354,961 1/1995 Richards et al. D14/253
- D. 362,004 9/1995 Nakano et al. D14/253
- D. 400,209 10/1998 Williams et al. D14/253
- D. 402,993 12/1998 James et al. D14/253
- D. 412,910 8/1999 Peiker D14/253
- D. 413,607 9/1999 Lindahl D14/253

- 4,903,325 2/1990 Yoshitake et al. 455/575
- 5,142,573 8/1992 Umezawa 379/454
- 5,189,358 2/1993 Tomura et al. 455/575 X
- 5,519,777 5/1996 Kurgan et al. 379/446
- 5,535,274 7/1996 Braitberg et al. 379/446

FOREIGN PATENT DOCUMENTS

- 5-167657 7/1993 Japan 379/455 X

Primary Examiner—Jeffrey Asch
Attorney, Agent, or Firm—Burns, Doane, Swecker & Mathis, L.L.P.

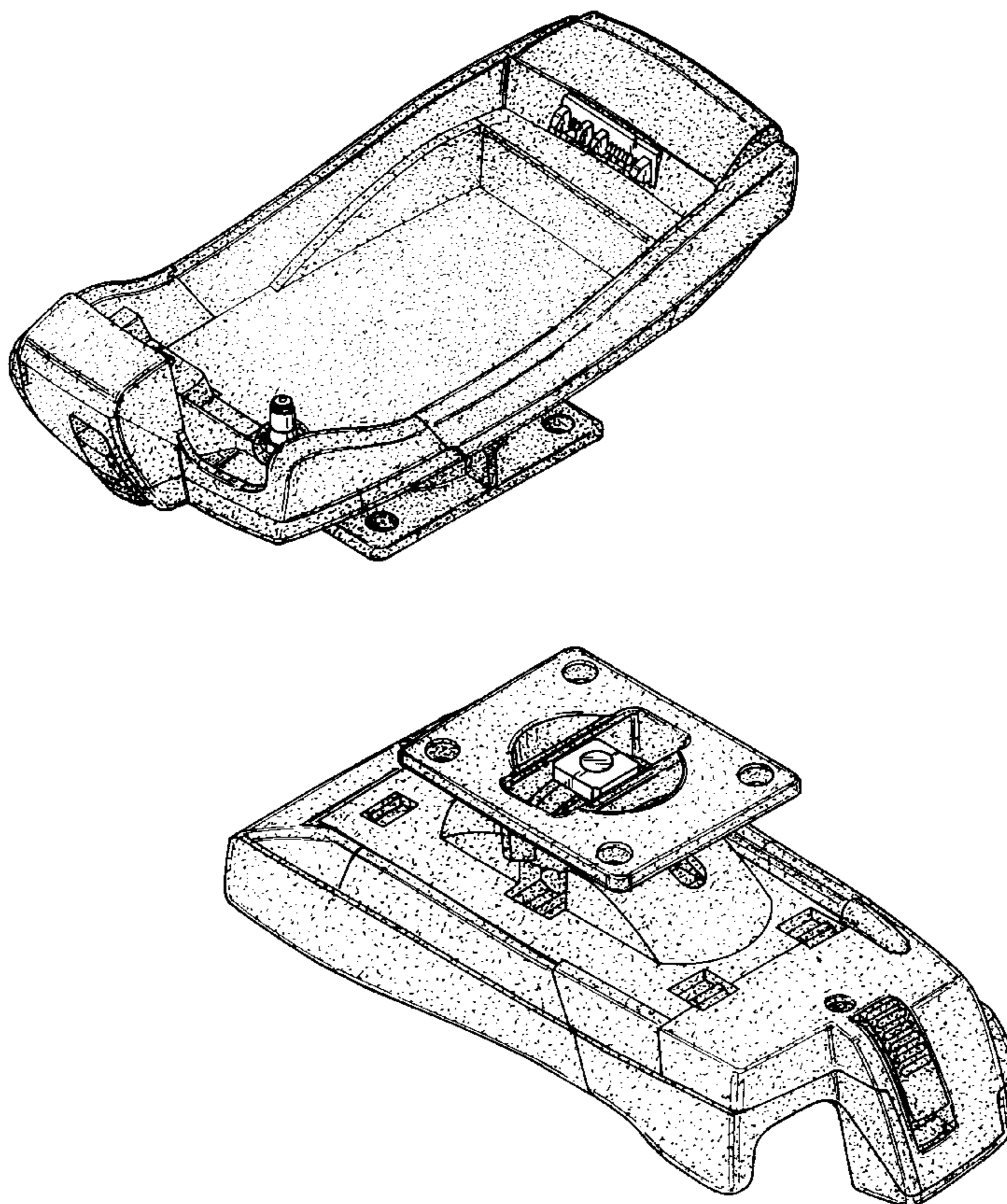
[57] **CLAIM**

The ornamental design for a handsfree cradle for telephone, as shown and described.

DESCRIPTION

FIG. 1 is a top perspective view of a handsfree cradle for telephone showing my new design;
FIG. 2 is a bottom perspective view thereof;
FIG. 3 is a top plan view thereof;
FIG. 4 is a left side elevational view thereof;
FIG. 5 is a right side elevational view thereof;
FIG. 6 is a rear end elevational view thereof;
FIG. 7 is a front end elevational view thereof;
FIG. 8 is a bottom plan view thereof; and,
FIG. 9 is a further bottom perspective view thereof illustrating a movable element in an alternative position.

1 Claim, 4 Drawing Sheets



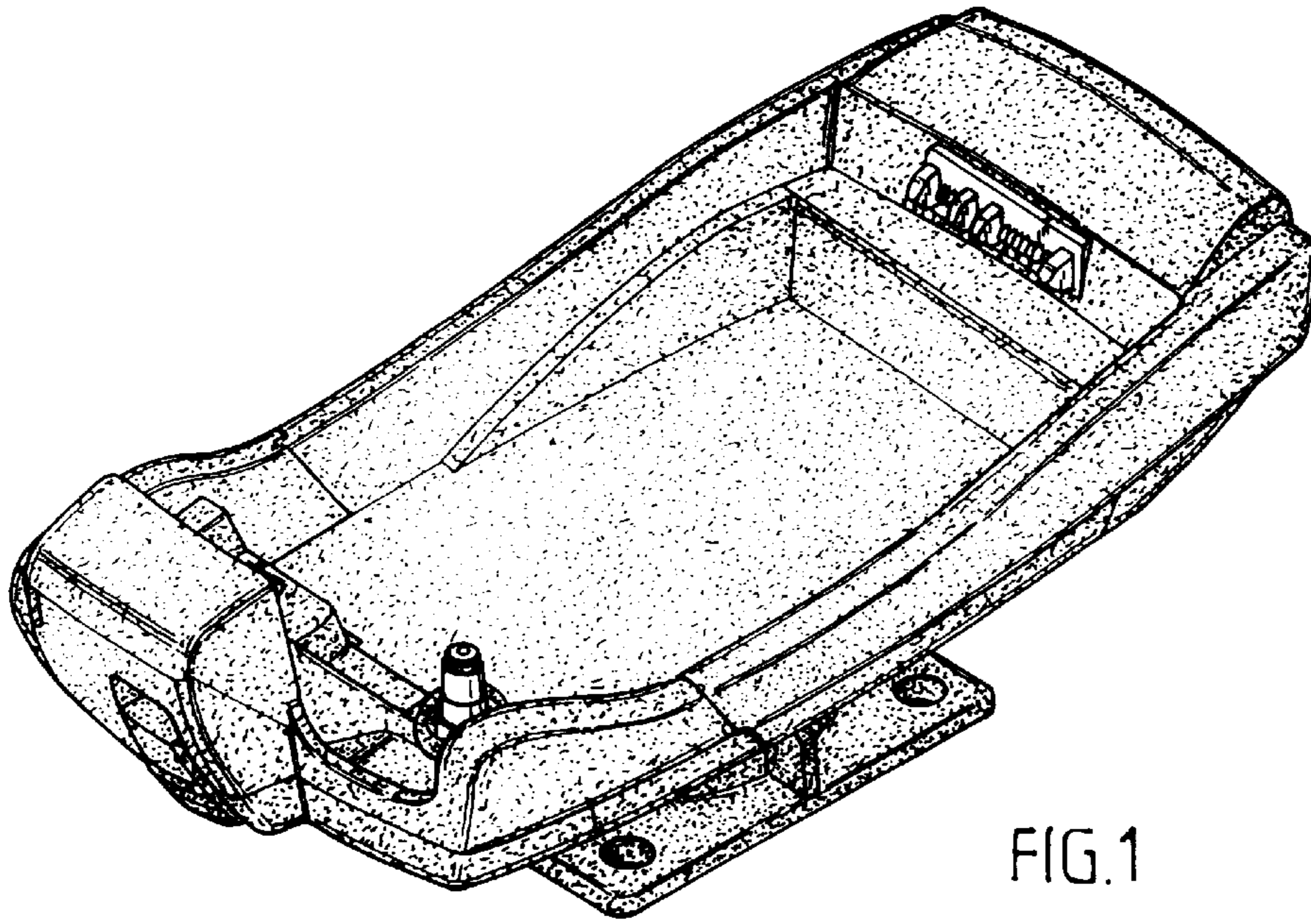


FIG. 1

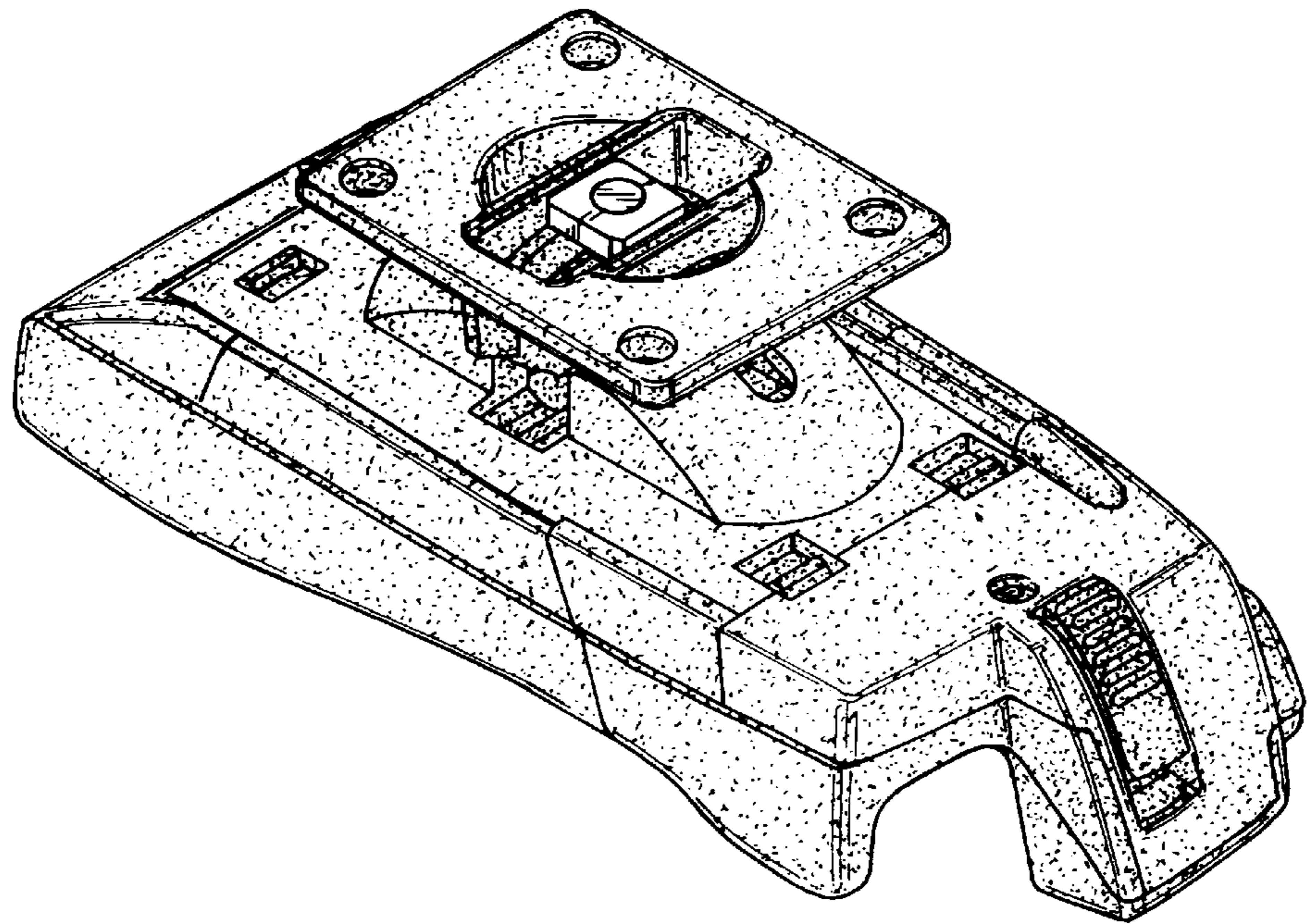


FIG. 2

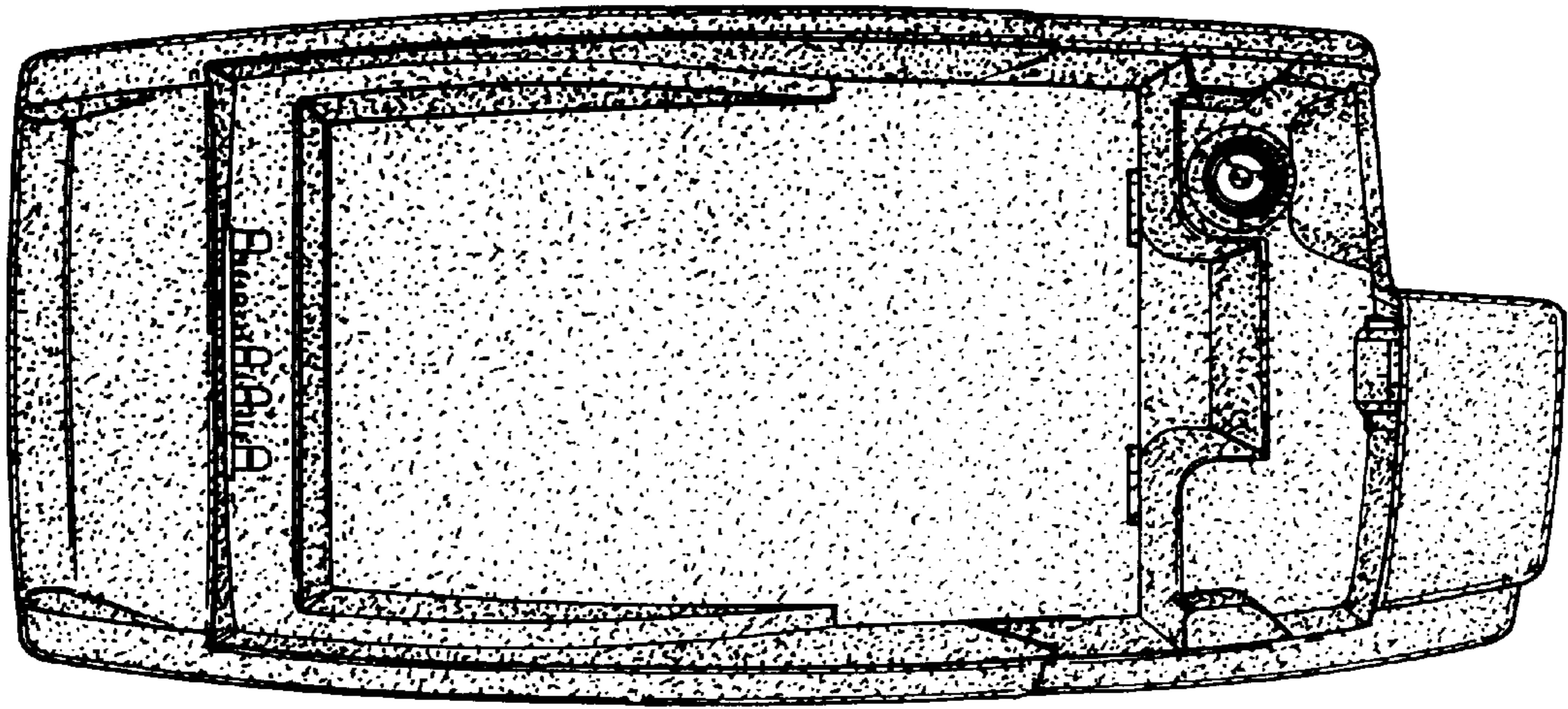


FIG. 3

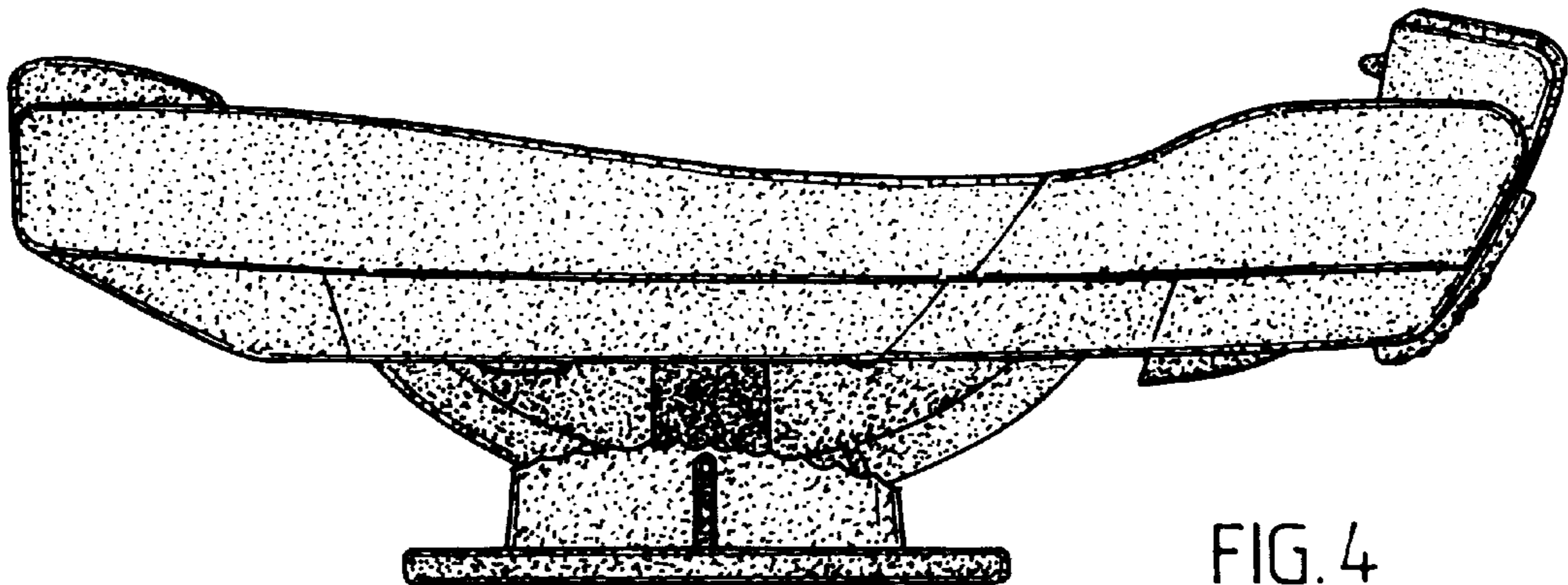


FIG. 4

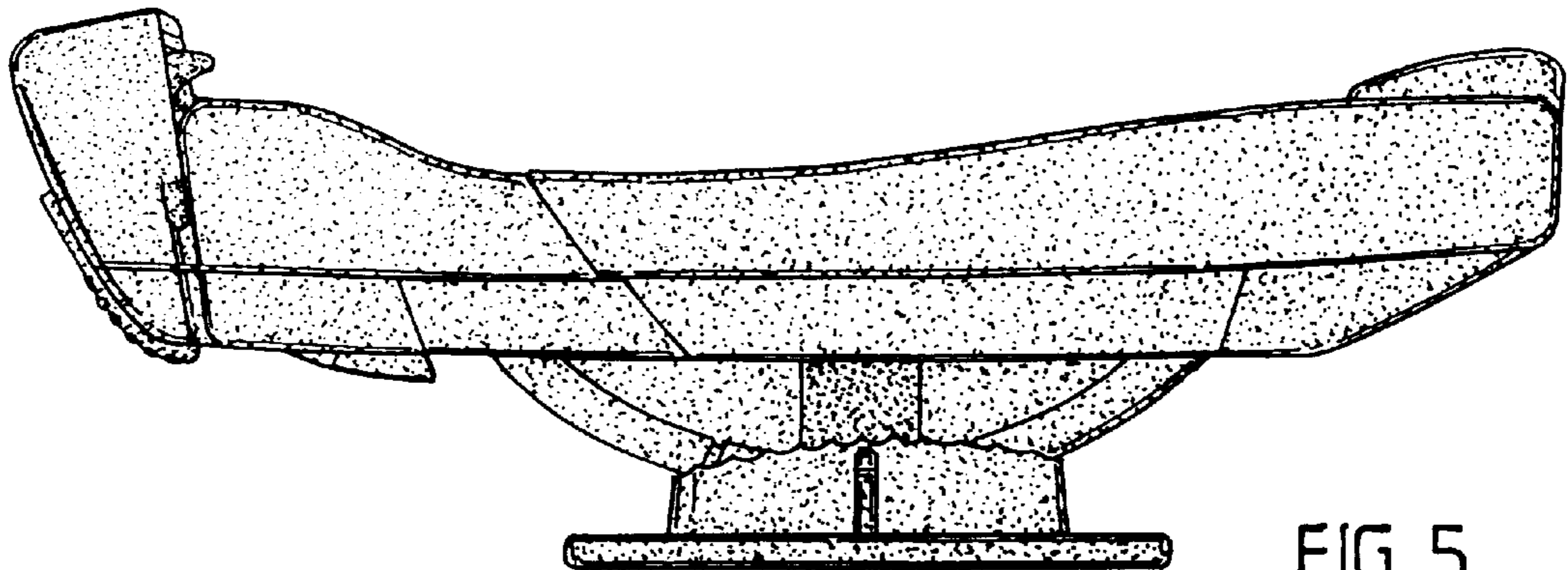


FIG. 5

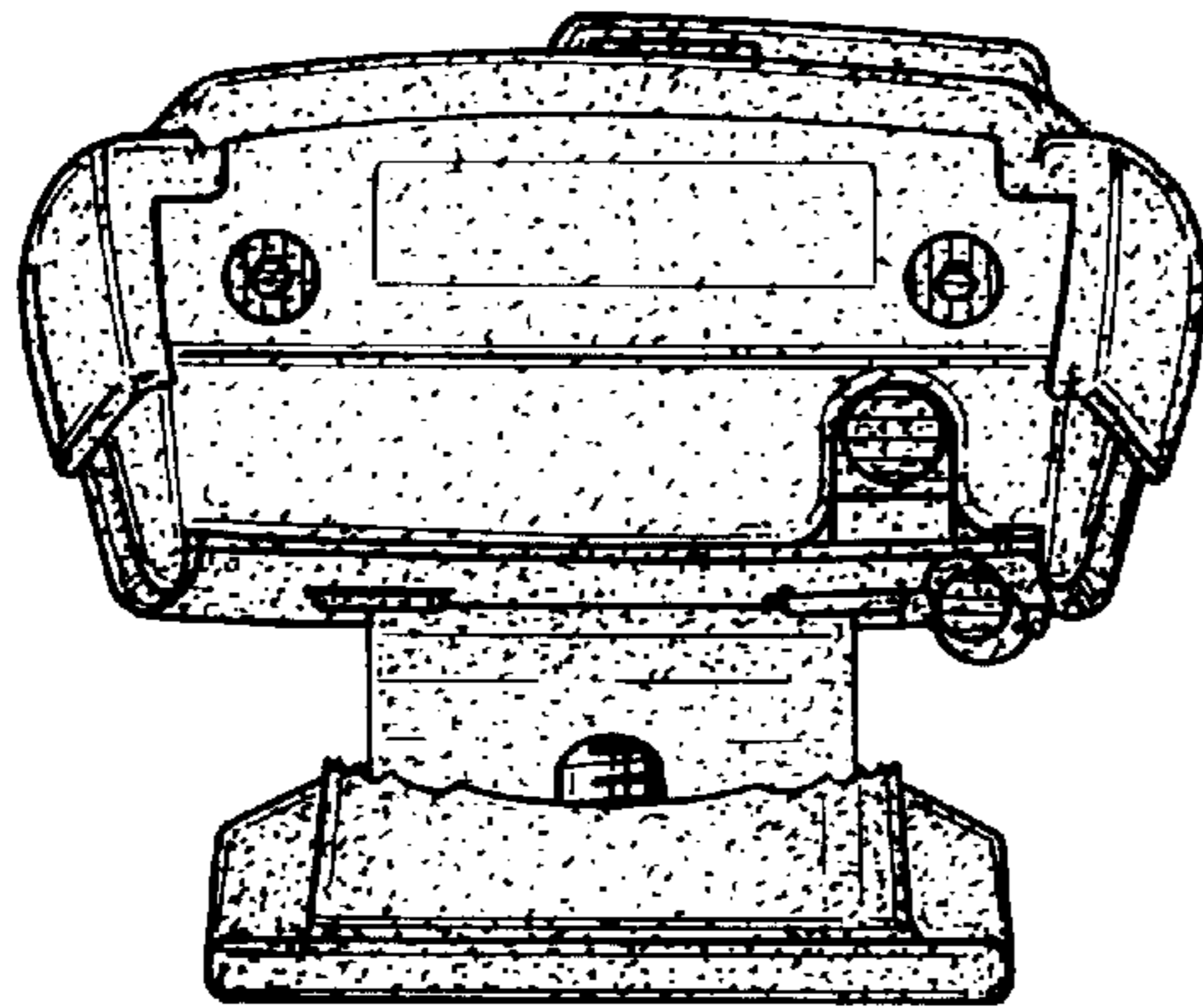


FIG. 6

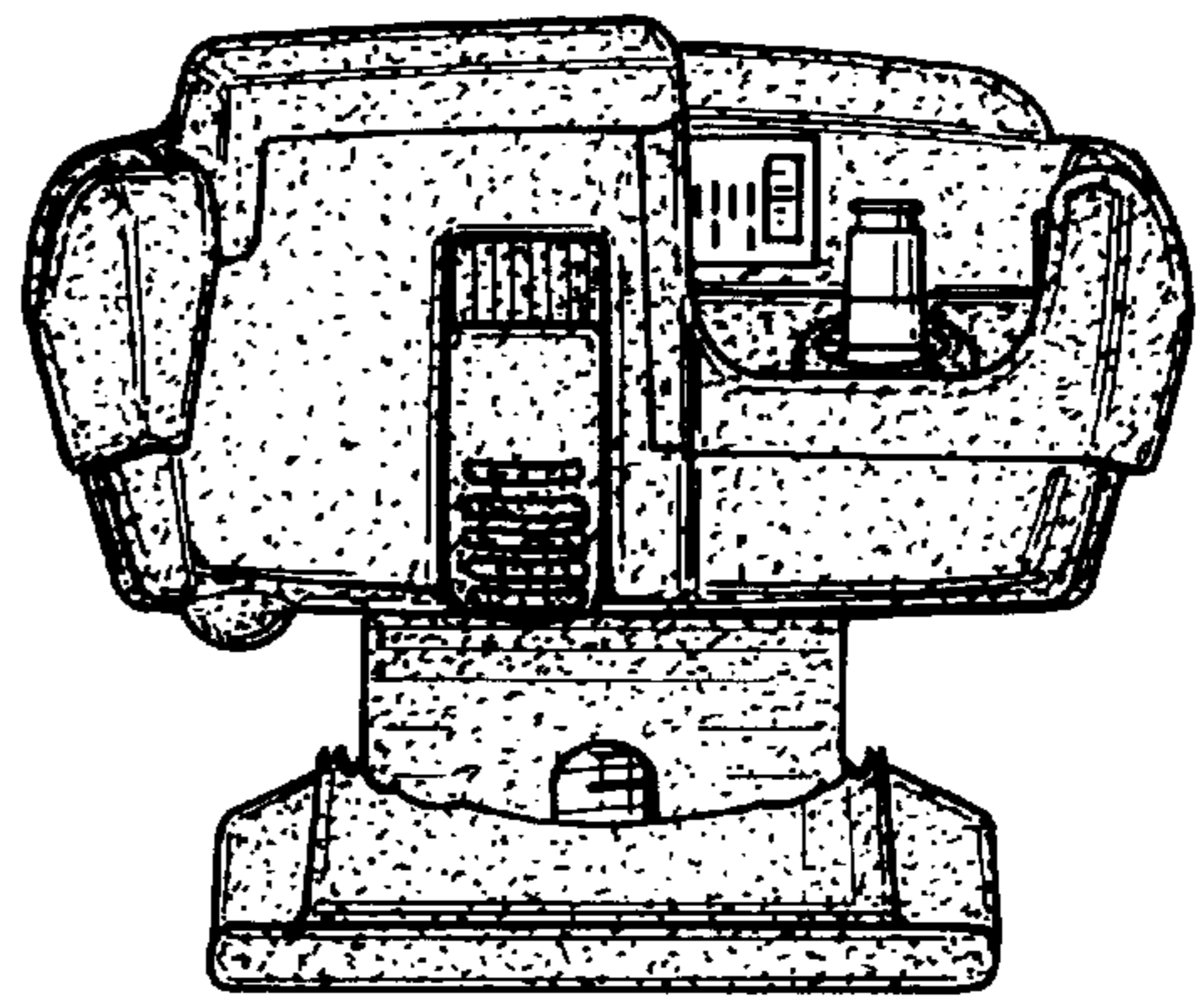


FIG. 7

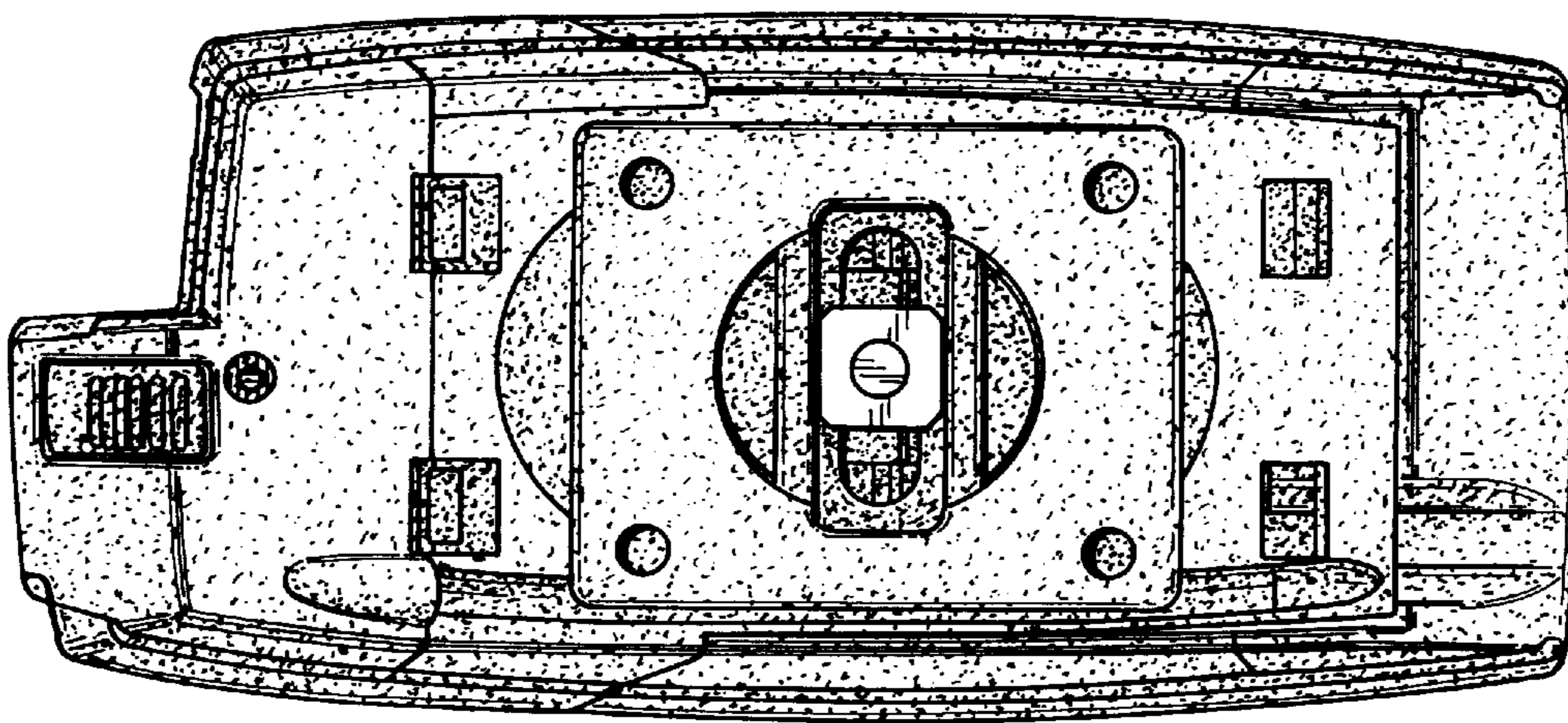


FIG. 8

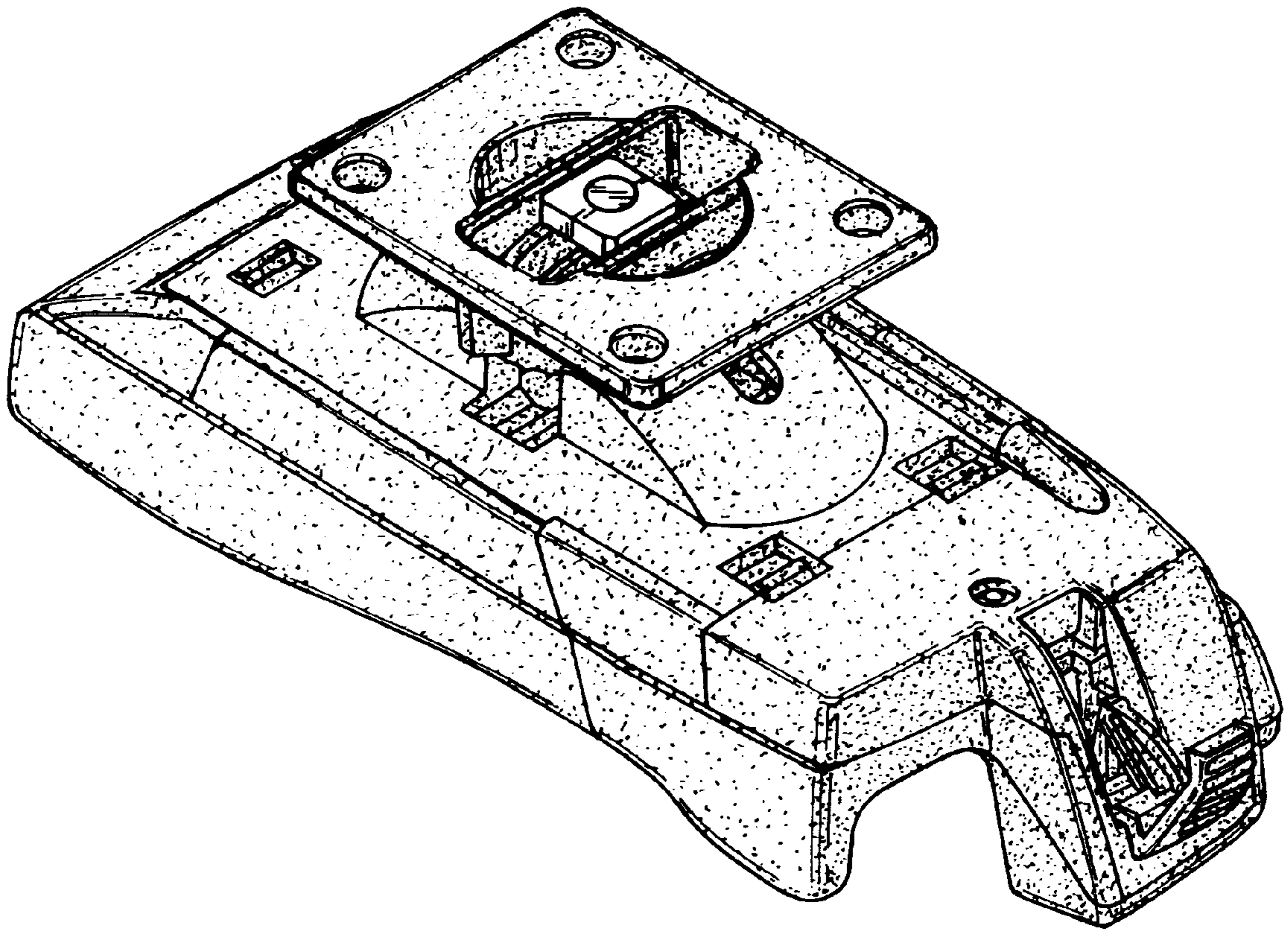


FIG. 9