



US00D427998S

# United States Patent [19]

Tate et al.

[11] Patent Number: Des. 427,998

[45] Date of Patent: \*\* Jul. 11, 2000

[54] NOISE CANCELLATION DEVICE

[75] Inventors: **Joseph B. Tate**, Sausalito; **Steven B. Wolff**, Woodacre; **Vidya Sagar Rao**, San Ramon, all of Calif.

[73] Assignee: **Umevoice, Inc.**, Novato, Calif.

[\*\*] Term: **14 Years**

[21] Appl. No.: **29/108,105**

[22] Filed: **Jul. 20, 1999**

[51] **LOC (7) Cl.** ..... **14-03**

[52] **U.S. Cl.** ..... **D14/240; D14/249**

[58] **Field of Search** ..... D14/240, 248, D14/249, 147; D13/199; 361/303, 313; 379/419-420, 428-430, 433, 439-442, 451-452

### [56] References Cited

#### U.S. PATENT DOCUMENTS

- D. 29,707 11/1898 Mulconroy .
- D. 135,303 3/1943 Scher .
- D. 216,802 3/1970 Kliewer .
- D. 320,798 10/1991 Holt .
- D. 396,235 7/1998 Tate et al. .
- 2,851,544 9/1958 Wisdom .
- 3,231,688 1/1966 Ugartechea .
- 3,632,902 1/1972 Wahler .
- 4,001,893 1/1977 Yamamoto .
- 4,672,666 6/1987 Khufus ..... 379/433
- 4,773,091 9/1988 Busche et al. .
- 4,823,384 4/1989 Lindsay .
- 4,850,016 7/1989 Groves et al. .
- 5,117,461 5/1992 Moseley .
- 5,182,774 1/1993 Bourk .
- 5,239,578 8/1993 Regen et al. .
- 5,268,965 12/1993 Badie et al. .
- 5,282,245 1/1994 Anderson .
- 5,329,593 7/1994 Lazzeroni et al. .

- 5,341,420 8/1994 Hollier et al. .
- 5,343,523 8/1994 Bartlett et al. .
- 5,394,467 2/1995 Kepley, III et al. .
- 5,448,637 9/1995 Yamaguchi et al. .
- 5,491,747 2/1996 Bartlett et al. .
- 5,524,058 6/1996 Moseley .
- 5,854,848 12/1998 Tate et al. .

#### FOREIGN PATENT DOCUMENTS

0 455 160 11/1991 European Pat. Off. .

#### OTHER PUBLICATIONS

Wickstrom, Timothy K., "Microphones for Multimedia Speech Applications," Knowles Electronics, Inc., Itasca, IL.

*Primary Examiner*—Brian N. Vinson

*Attorney, Agent, or Firm*—Burns Doane Swecker & Mathis L.L.P.

### [57] CLAIM

The ornamental design for a noise cancellation device, as shown and described.

#### DESCRIPTION

FIG. 1 is a perspective view of a first embodiment as seen from the front and upper right of a noise cancellation device showing our new design;

FIG. 2 is a right side elevational view thereof;

FIG. 3 is a left side elevational view thereof;

FIG. 4 is a top plan view thereof;

FIG. 5 is a front elevational view thereof;

FIG. 6 is a rear elevational view thereof;

FIG. 7 is a perspective view of a second embodiment as seen from the front and upper right of a noise cancellation device;

FIG. 8 is a right side elevational view thereof;

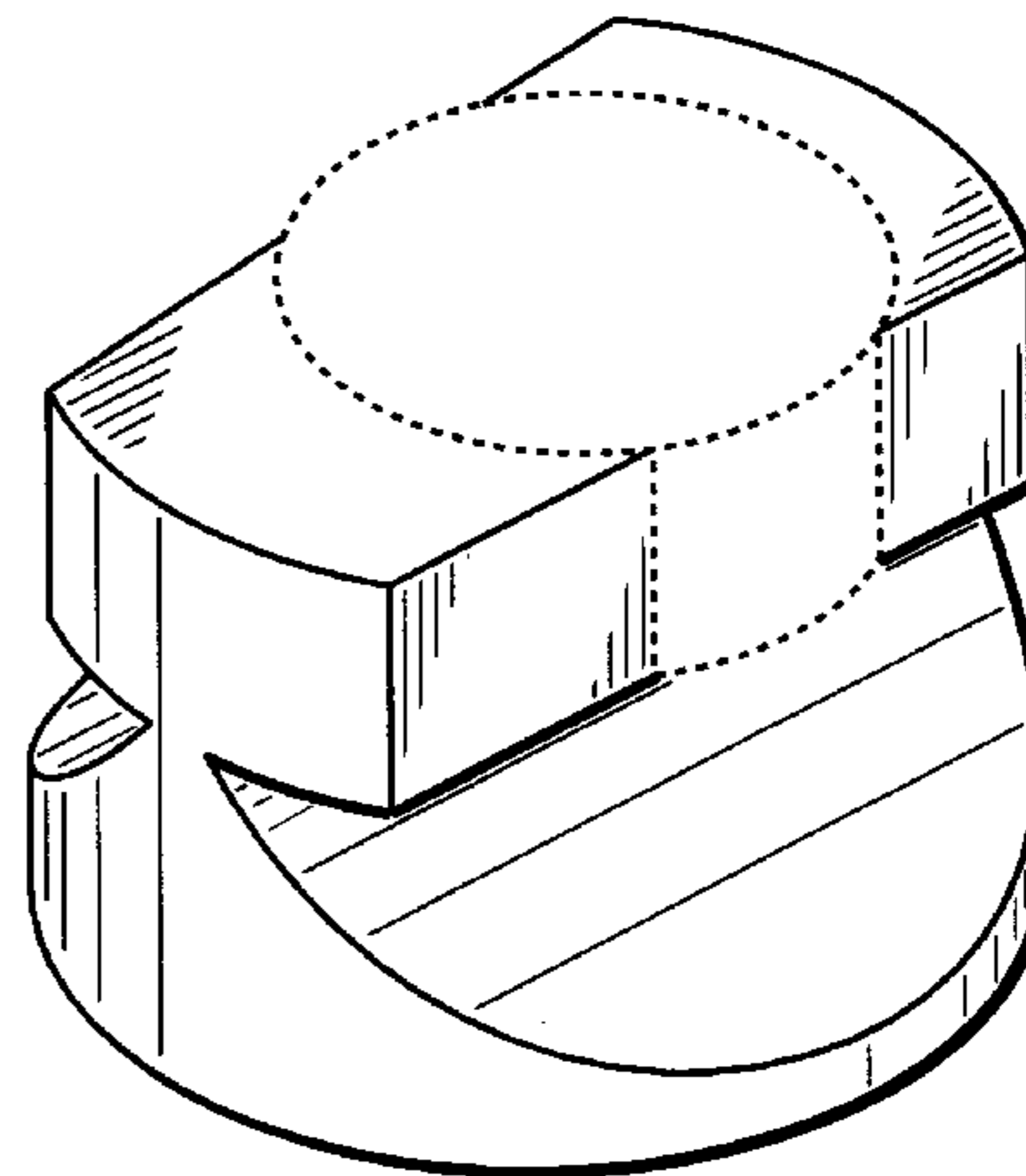
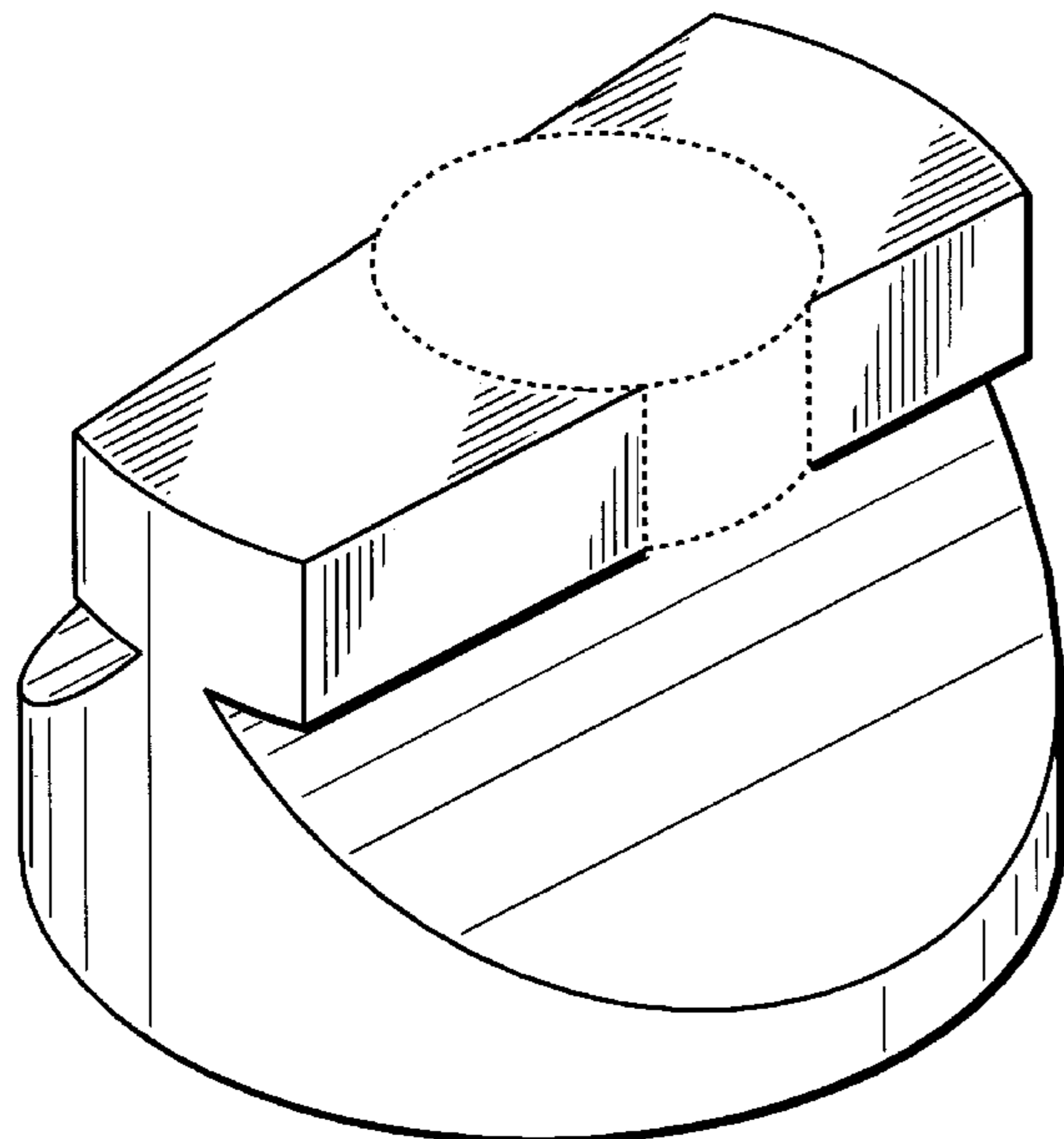
FIG. 9 is a left side elevational view thereof;

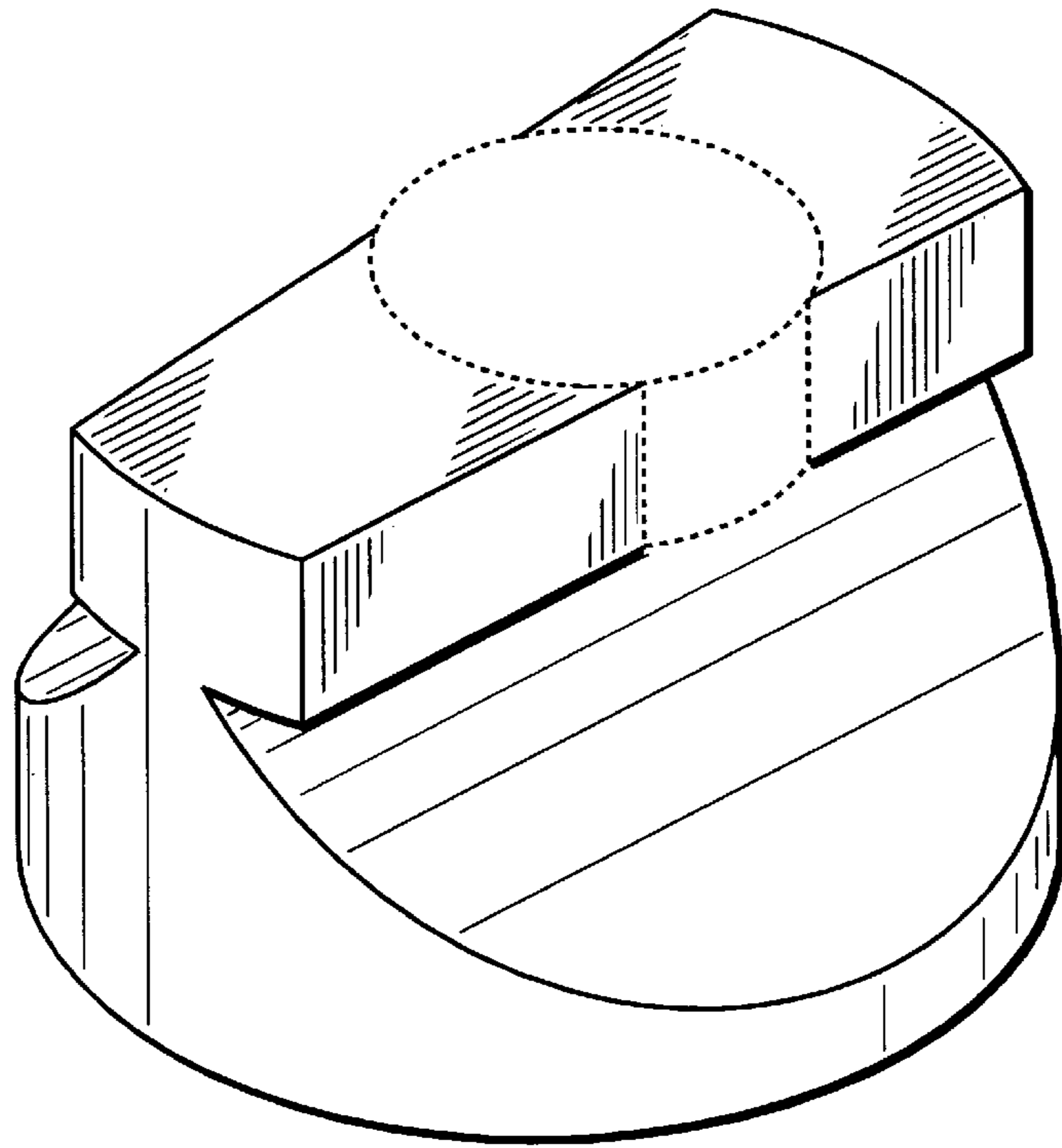
FIG. 10 is a top plan view thereof;

FIG. 11 is a front elevational view thereof; and,

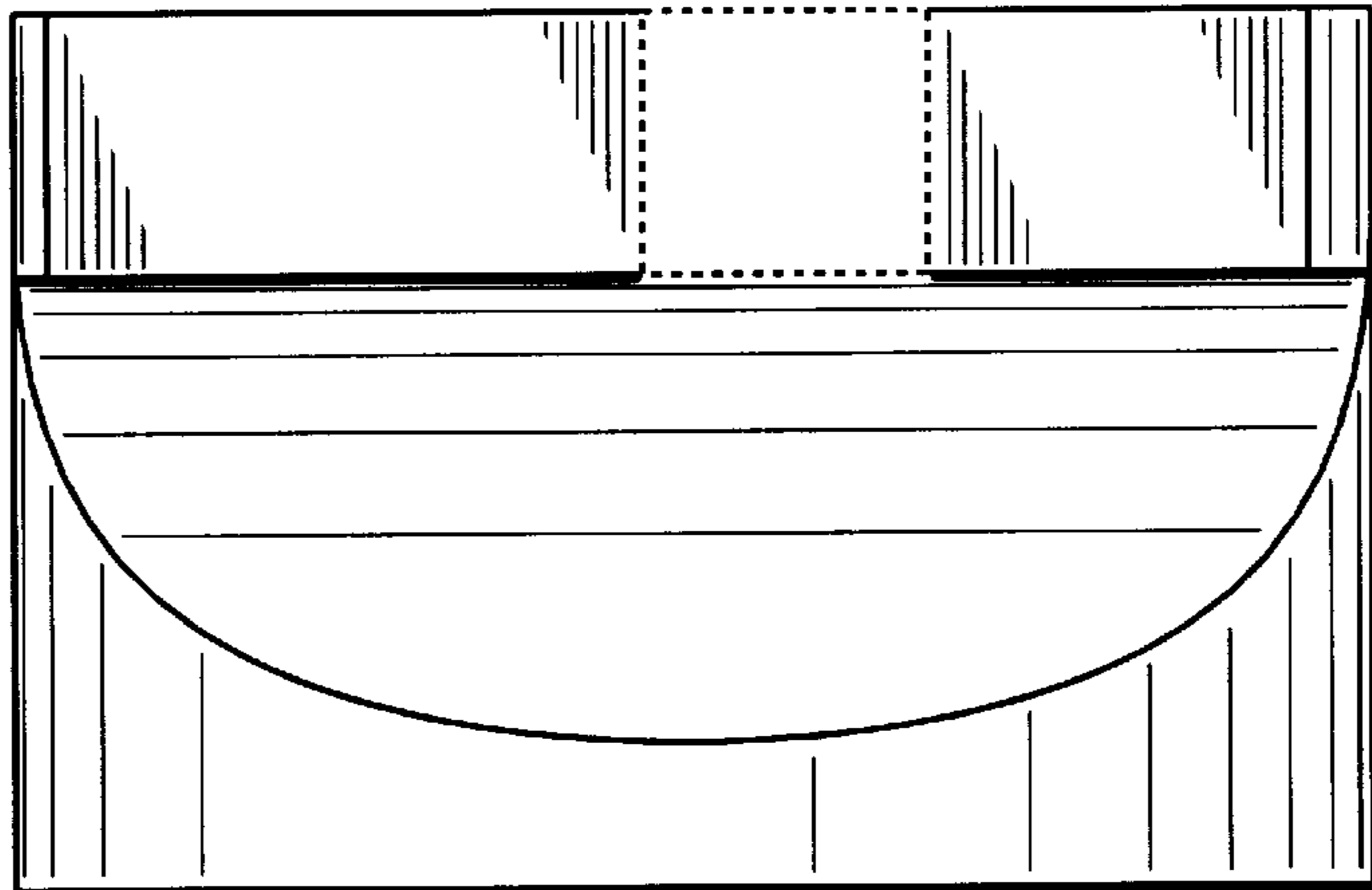
FIG. 12 is a rear elevational view thereof.

1 Claim, 4 Drawing Sheets

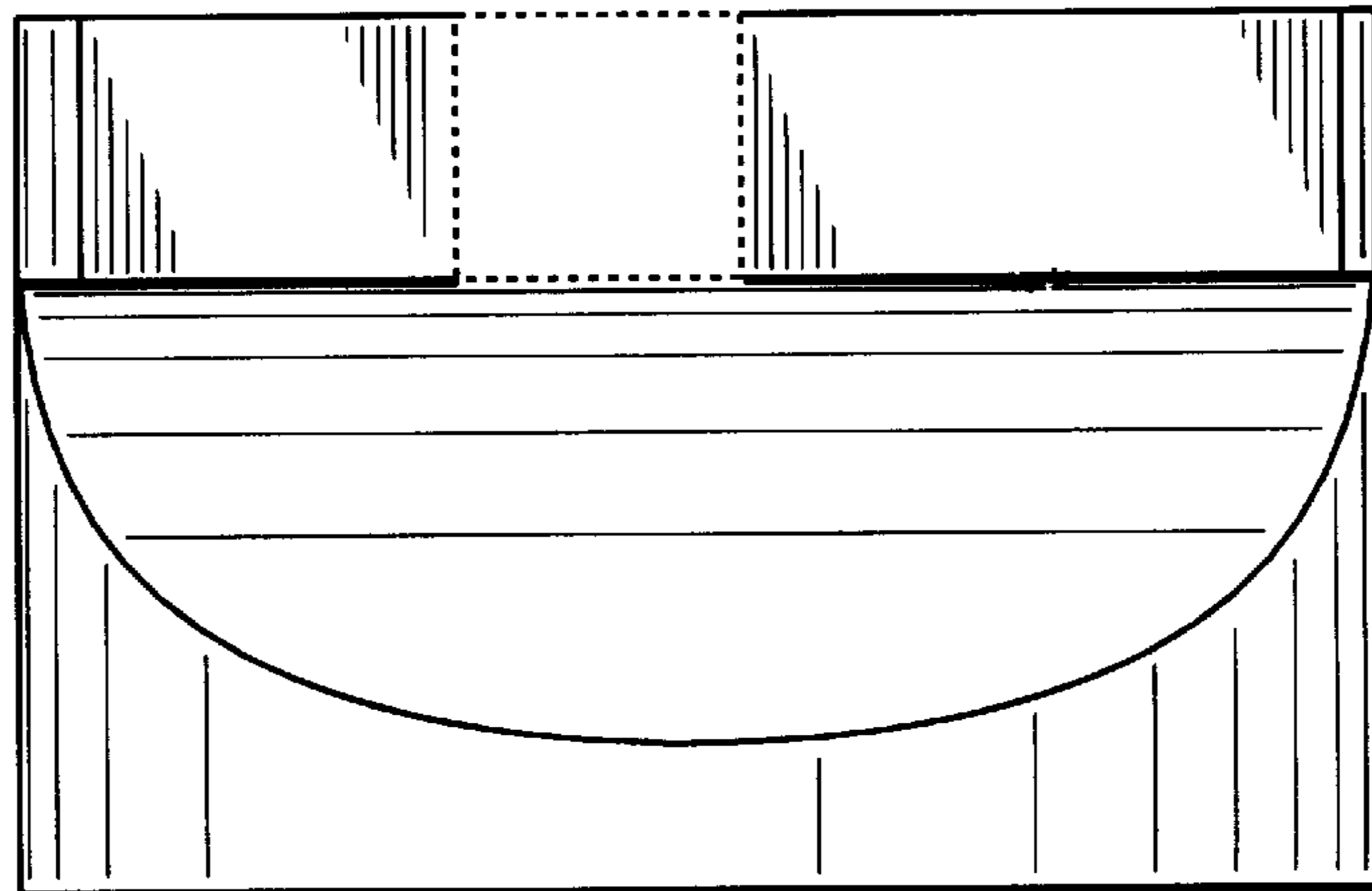




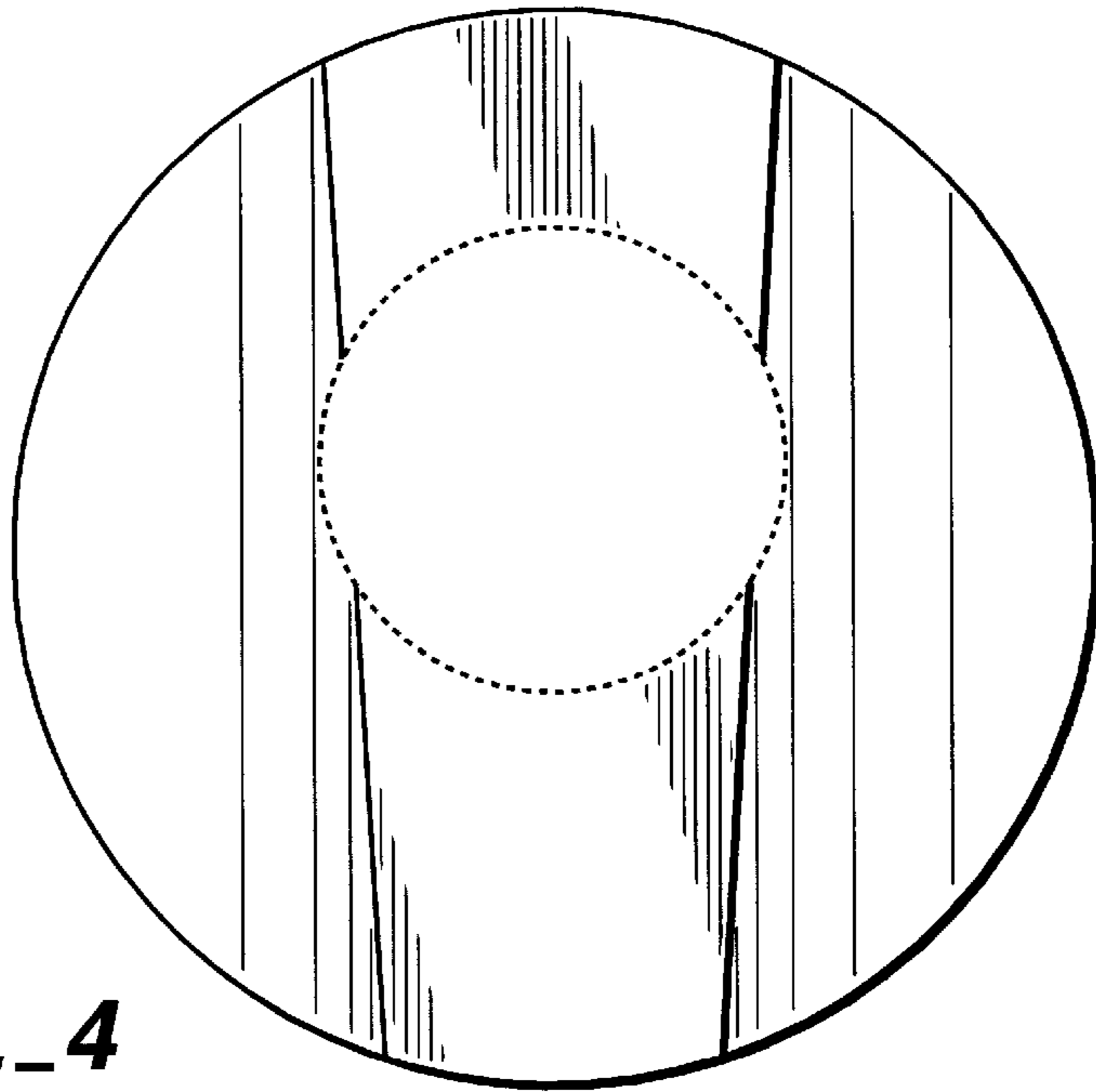
**FIG.\_1**



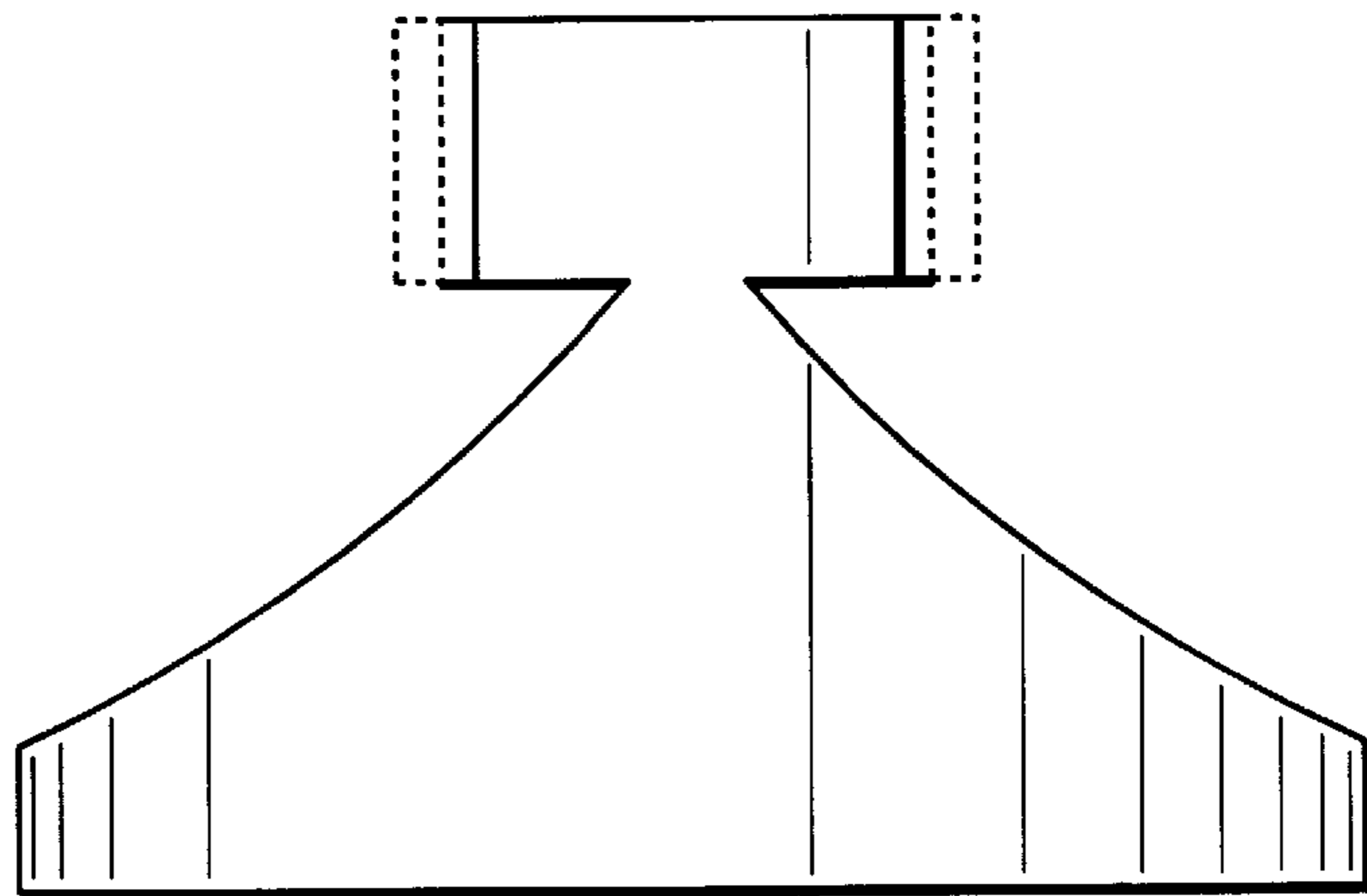
**FIG.\_2**



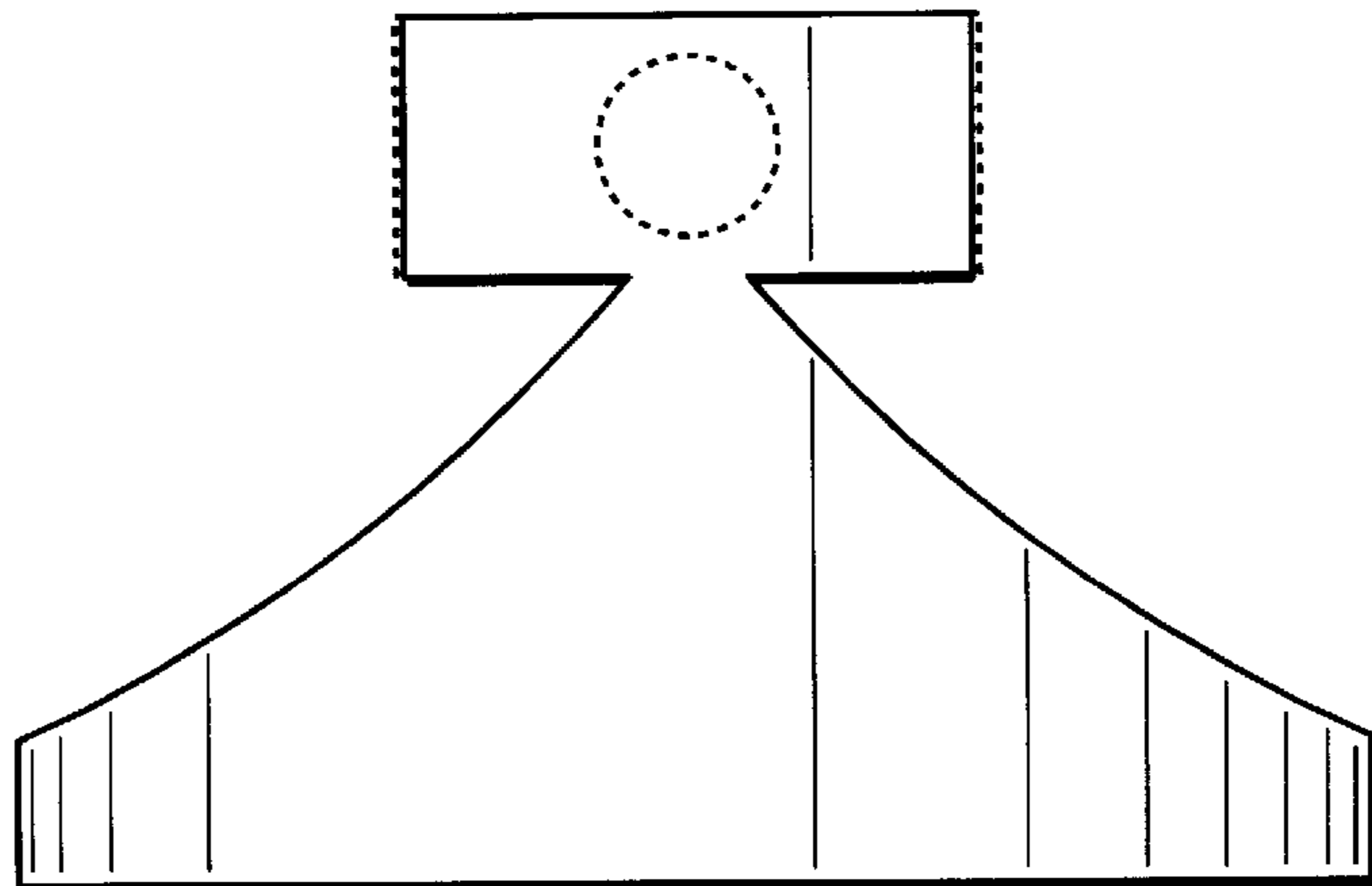
**FIG.\_3**



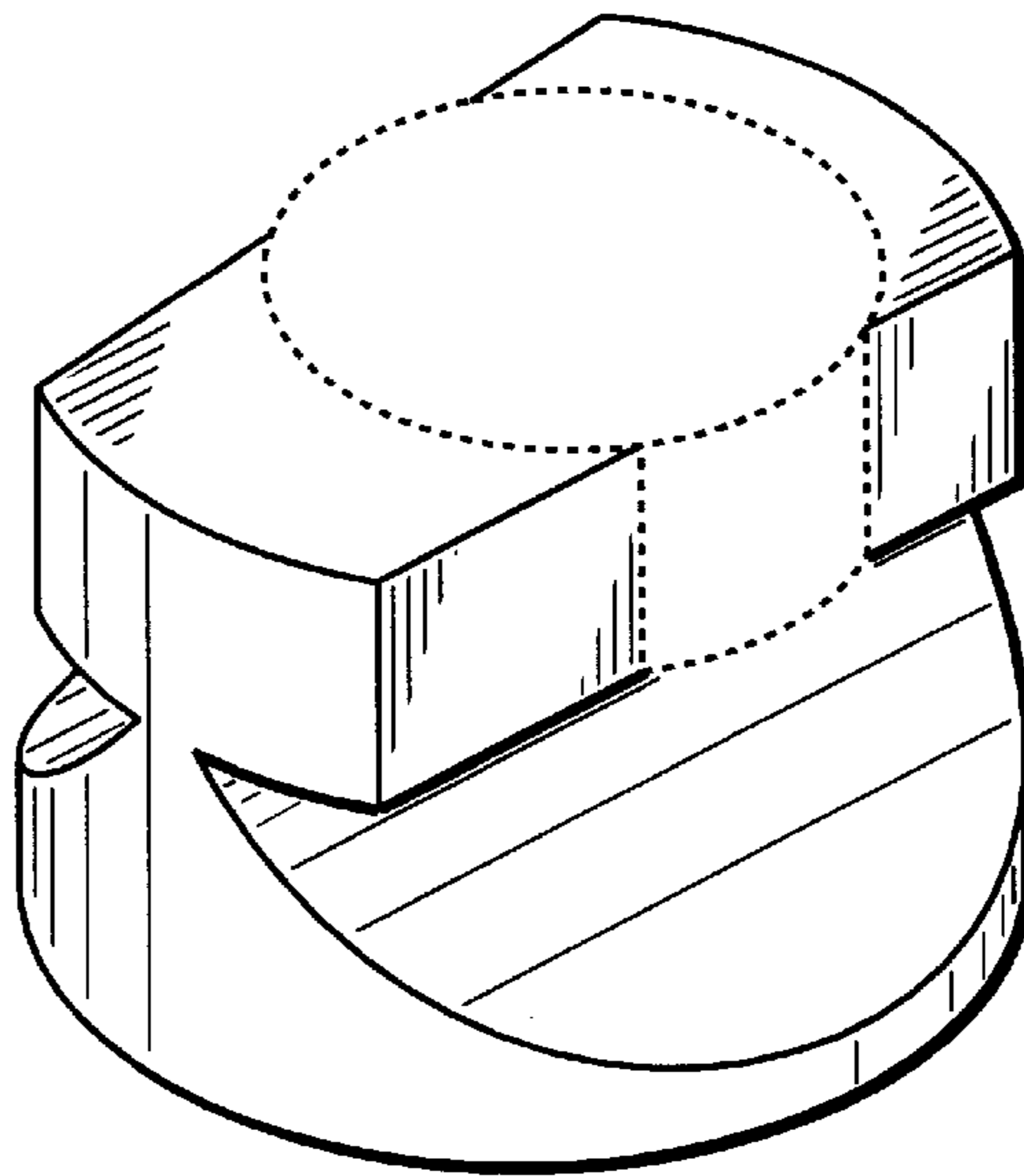
**FIG.\_4**



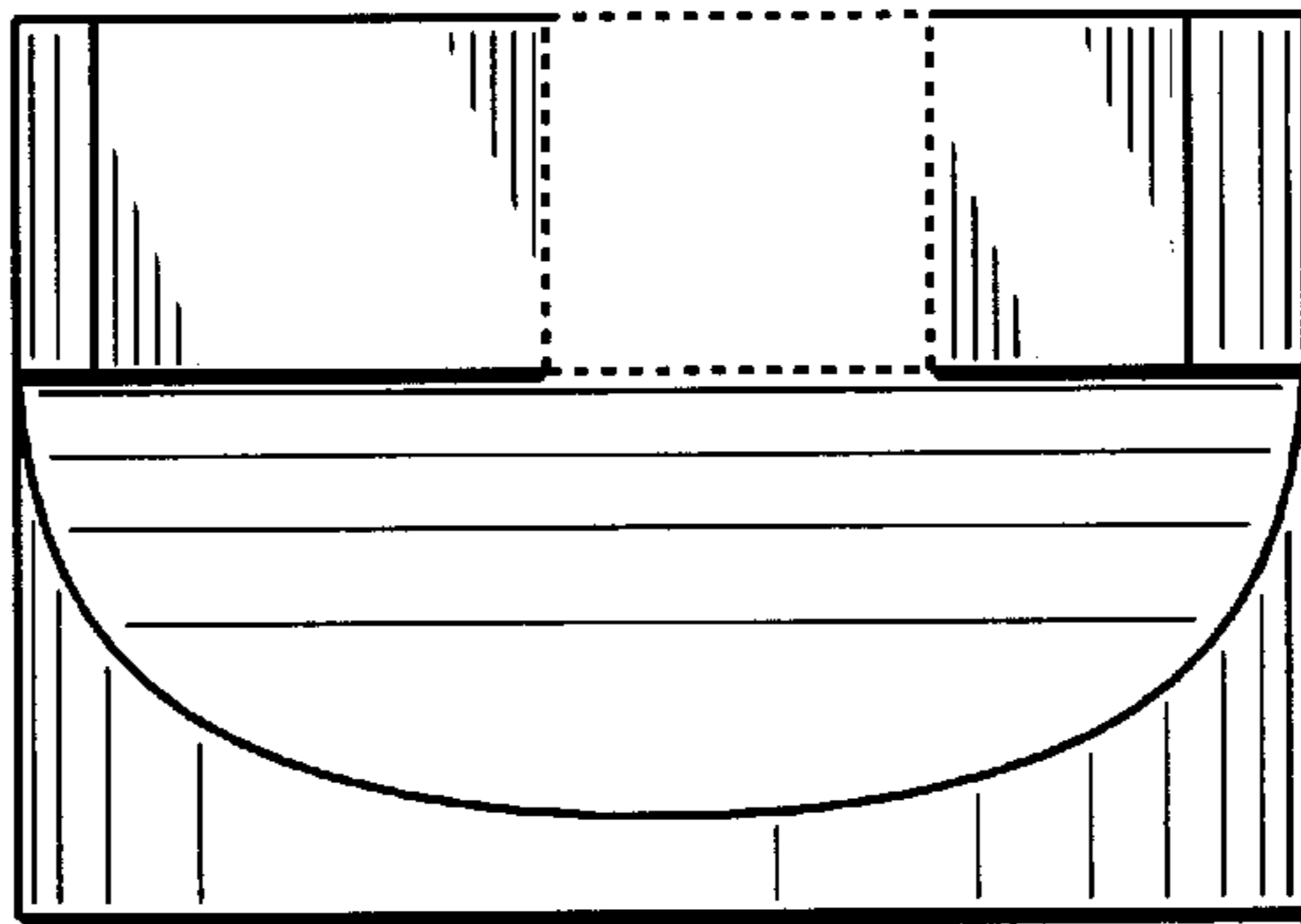
**FIG.\_5**



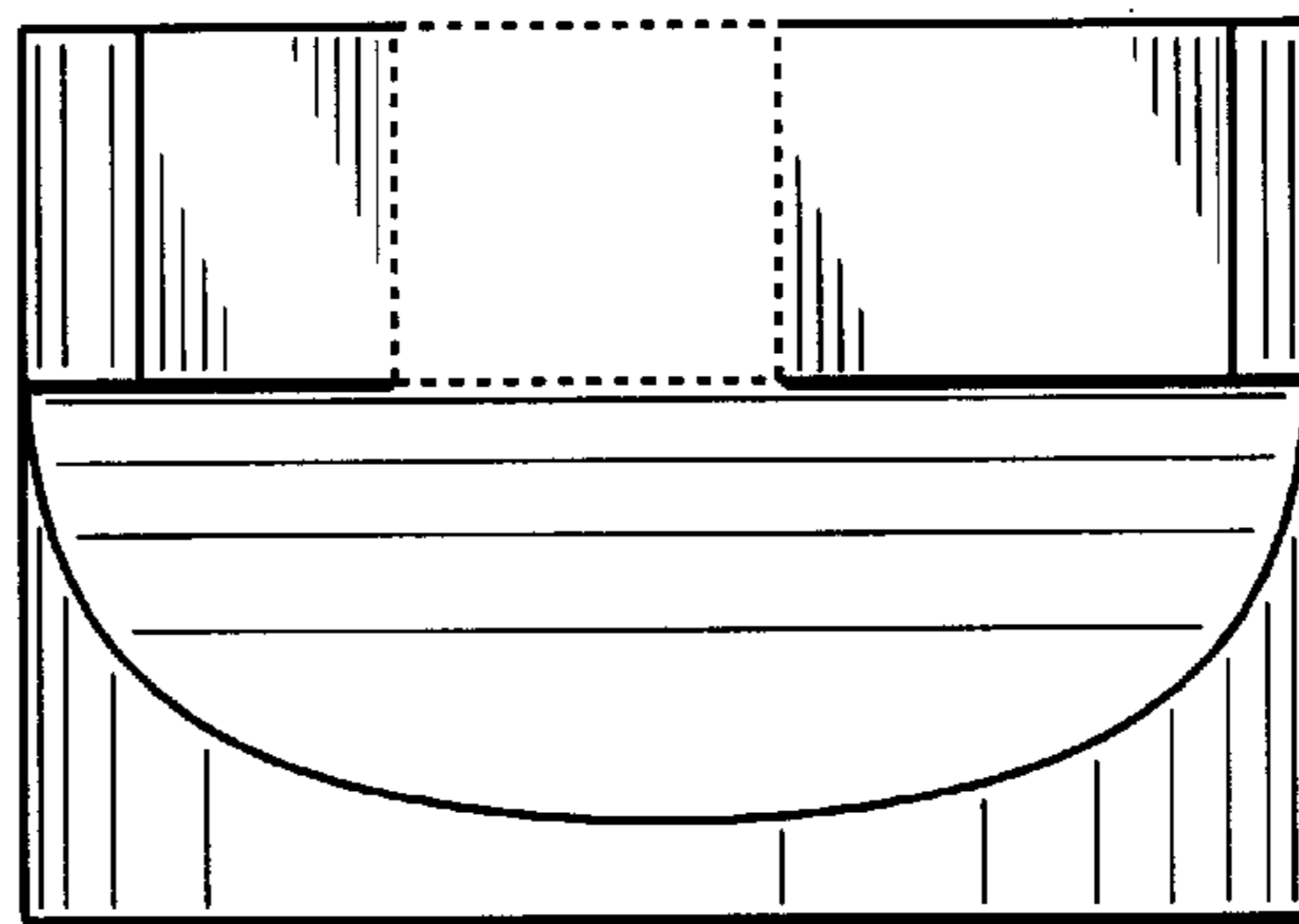
**FIG.\_6**



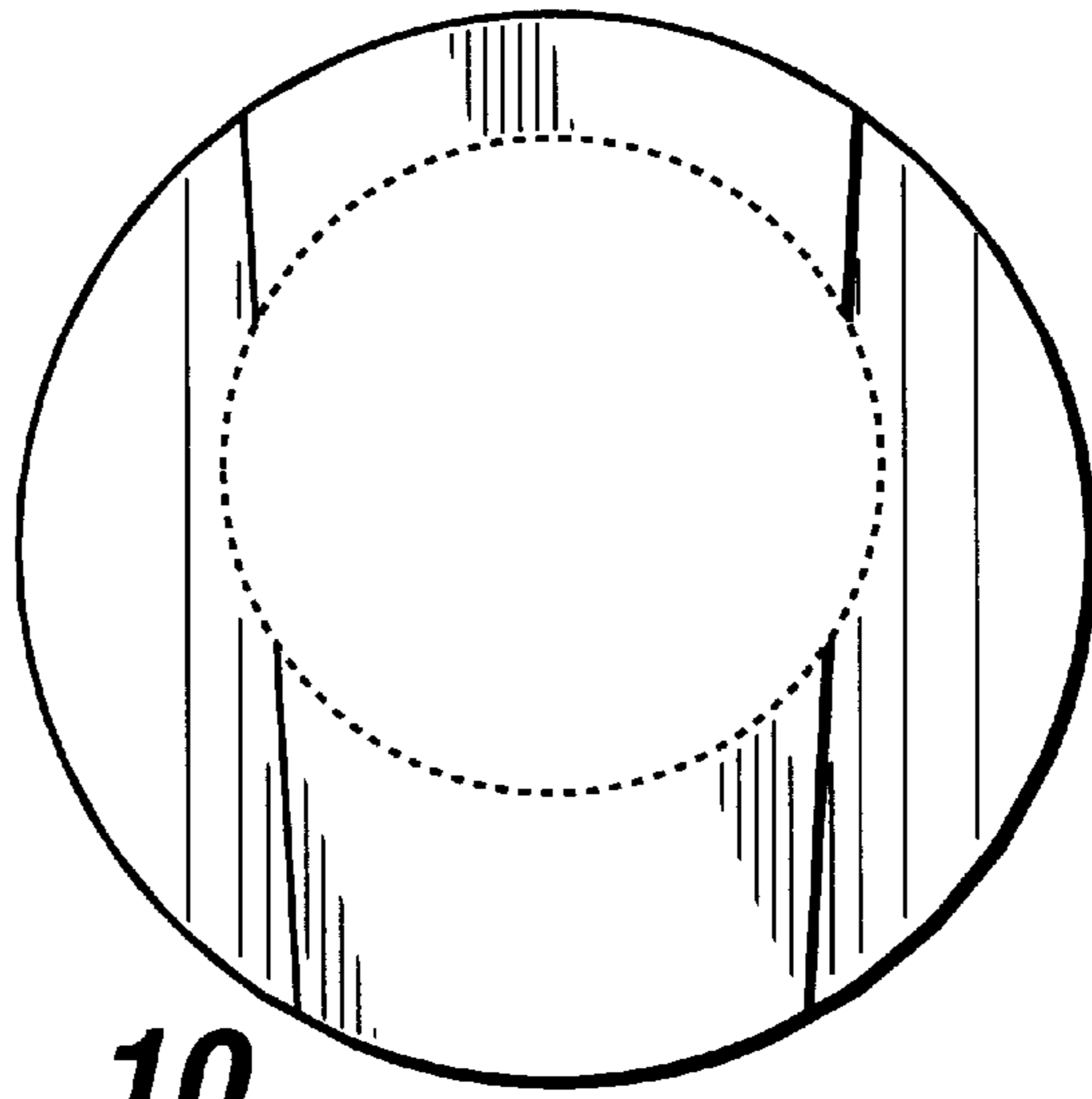
**FIG.\_7**



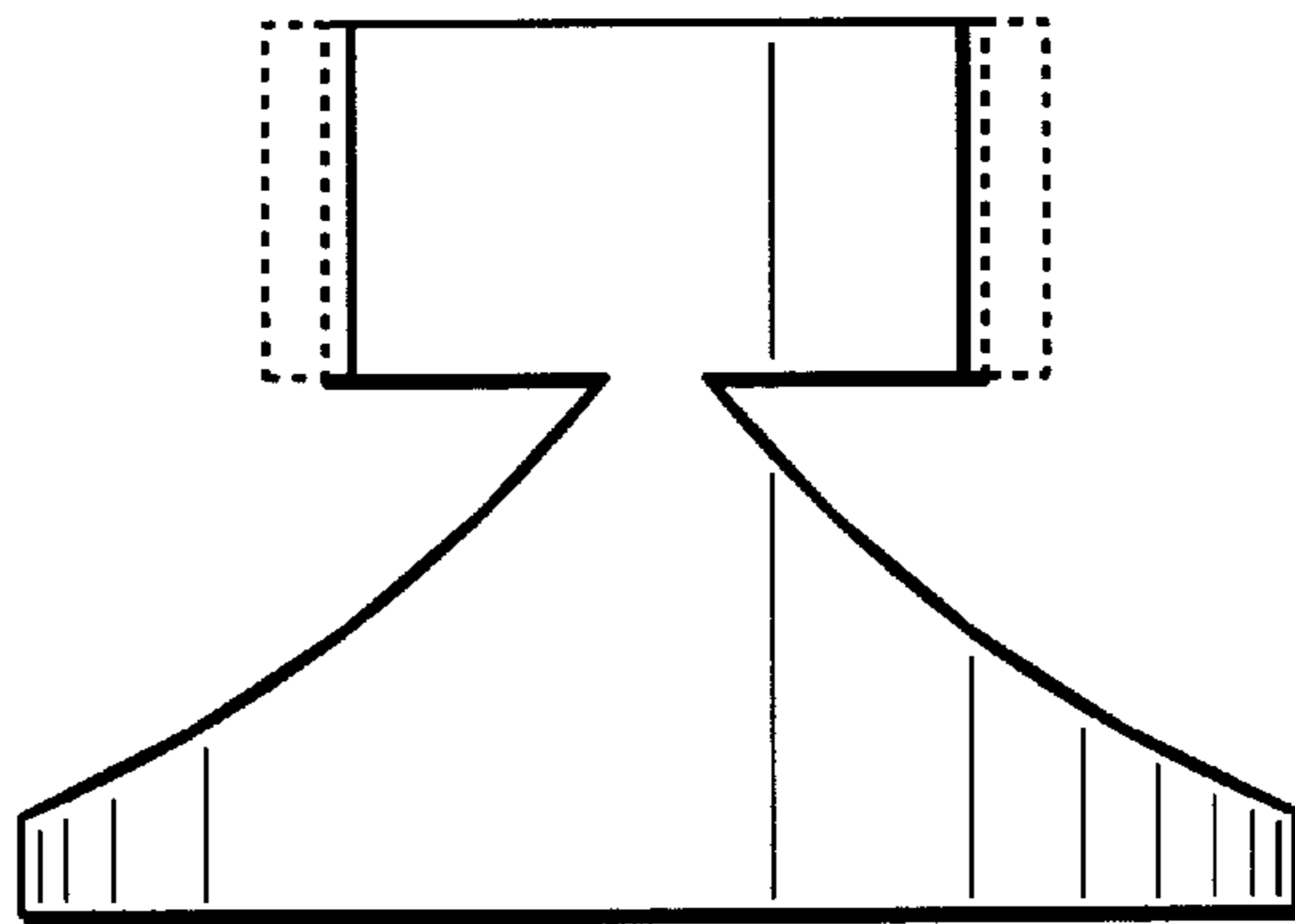
**FIG.\_8**



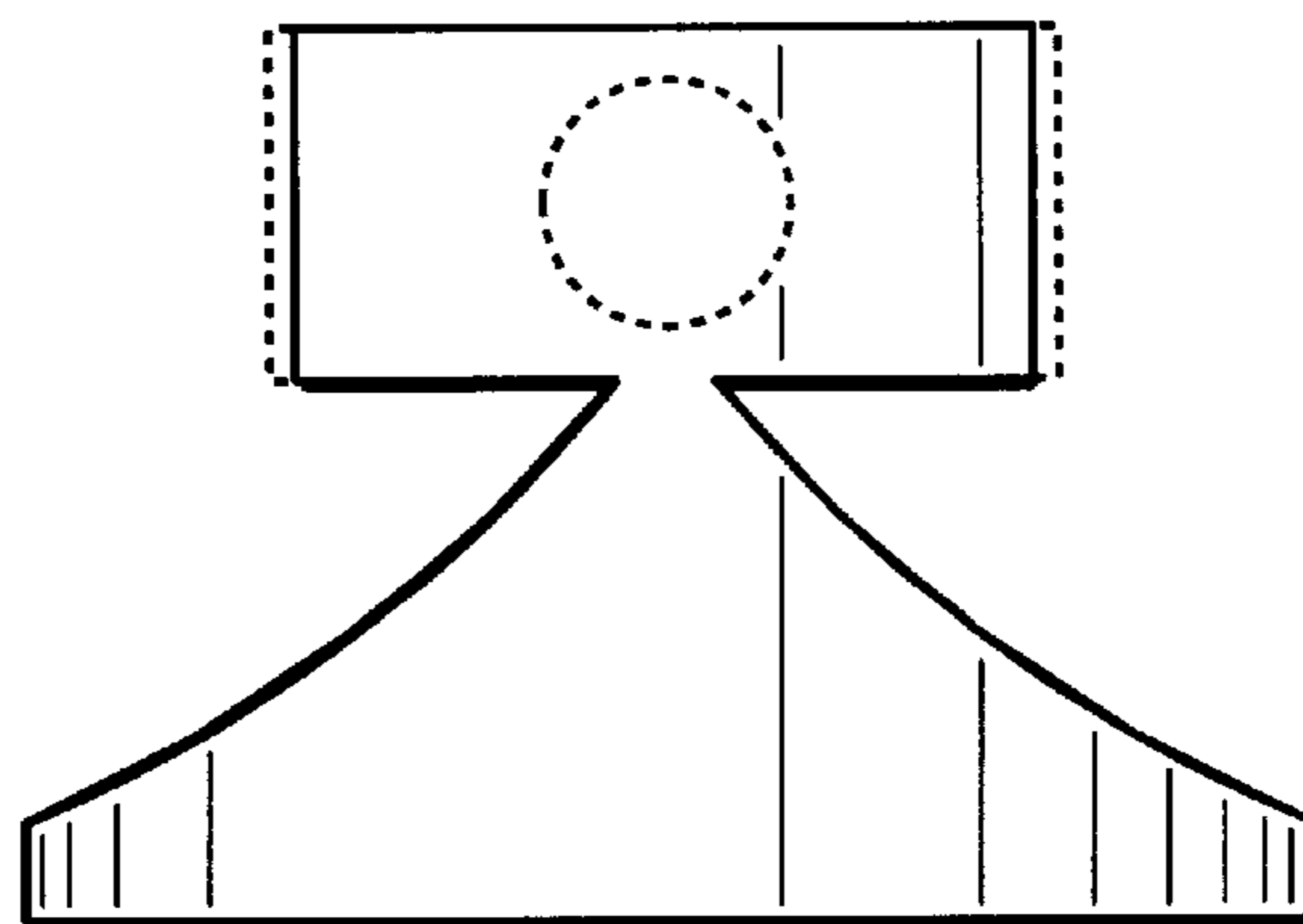
**FIG.\_9**



**FIG. 10**



**FIG. 11**



**FIG. 12**