



US00D427997S

# United States Patent [19]

[11] **Patent Number: Des. 427,997**

**Inoue**

[45] **Date of Patent: \*\* Jul. 11, 2000**

[54] **ANTENNA**

*Primary Examiner*—Louis S. Zarfes  
*Assistant Examiner*—Greg Andoll  
*Attorney, Agent, or Firm*—William H. Murray

[75] **Inventor: Shigemi Inoue**, Kobe, Japan

[73] **Assignee: DX Antenna Company, Limited**,  
Kobe, Japan

[57] **CLAIM**

[\*\*] **Term: 14 Years**

The ornamental design for an antenna, as shown and described.

[21] **Appl. No.: 29/093,567**

**DESCRIPTION**

[22] **Filed: Sep. 14, 1998**

FIG. 1 is a rear, top and left side perspective view of an antenna showing my new design;

[51] **LOC (7) Cl. .... 14-03**

FIG. 2 is a front elevational view thereof;

[52] **U.S. Cl. .... D14/235; D14/230**

FIG. 3 is a rear elevational view thereof;

[58] **Field of Search .... D14/230-238;**  
343/805, 823, 720, 900, 901, 907, 908,  
912, 781 R

FIG. 4 is a top plan view thereof;

FIG. 5 is a bottom plan view thereof;

[56] **References Cited**

FIG. 6 is a left side elevational view thereof;

FIG. 7 is a right side elevational view thereof; and,

**U.S. PATENT DOCUMENTS**

FIG. 8 is a top plan view thereof showing antenna rods in their fully retracted position.

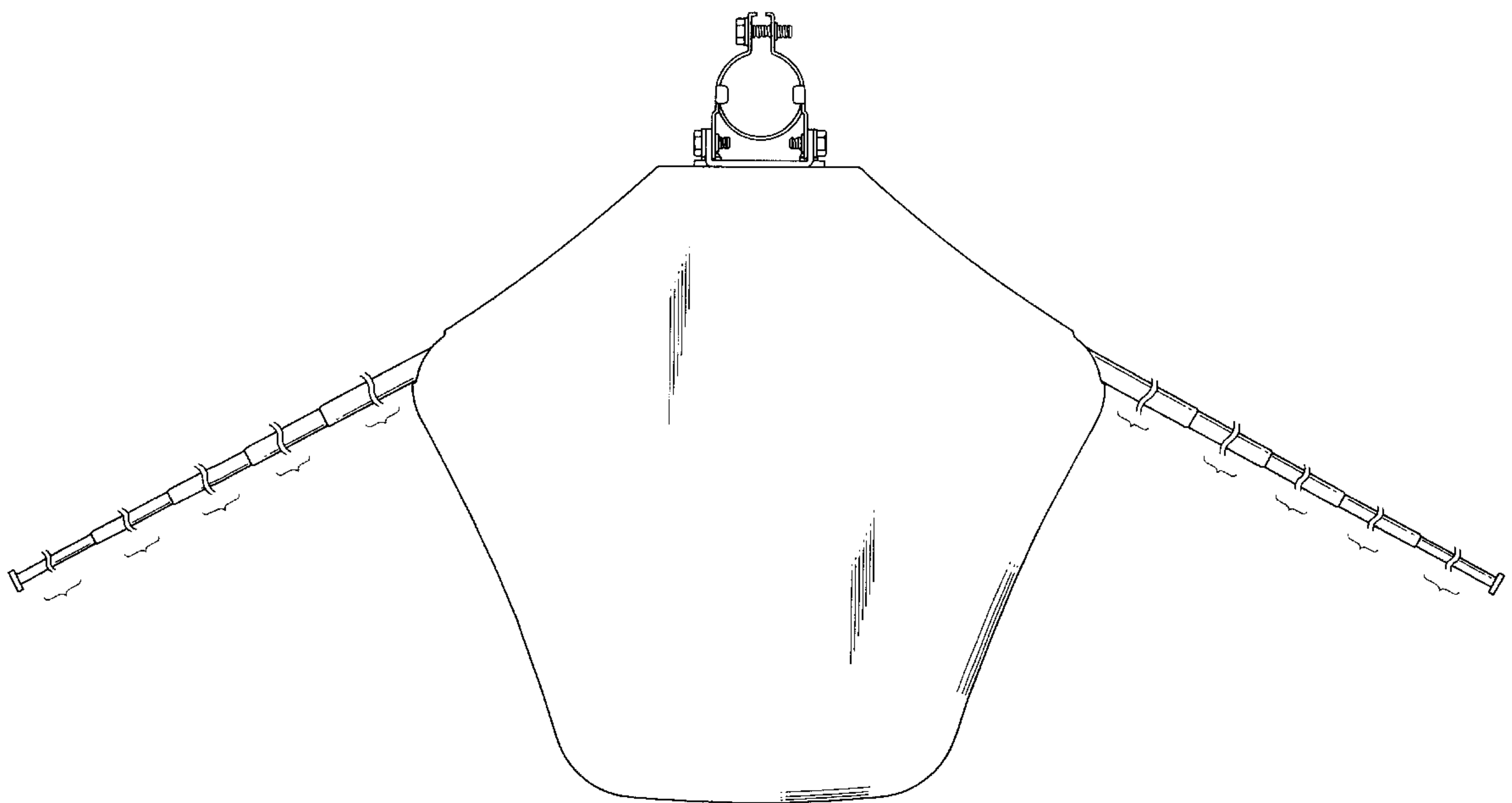
- D. 176,368 12/1955 Middlemark ..... D14/235
- D. 229,832 1/1974 Finkel ..... D14/230
- D. 364,874 12/1995 Cheng ..... D14/235

The broken away showing of the rod pieces indicate that they are of indeterminate length.

**FOREIGN PATENT DOCUMENTS**

- 1044490 2/1998 United Kingdom .

**1 Claim, 6 Drawing Sheets**



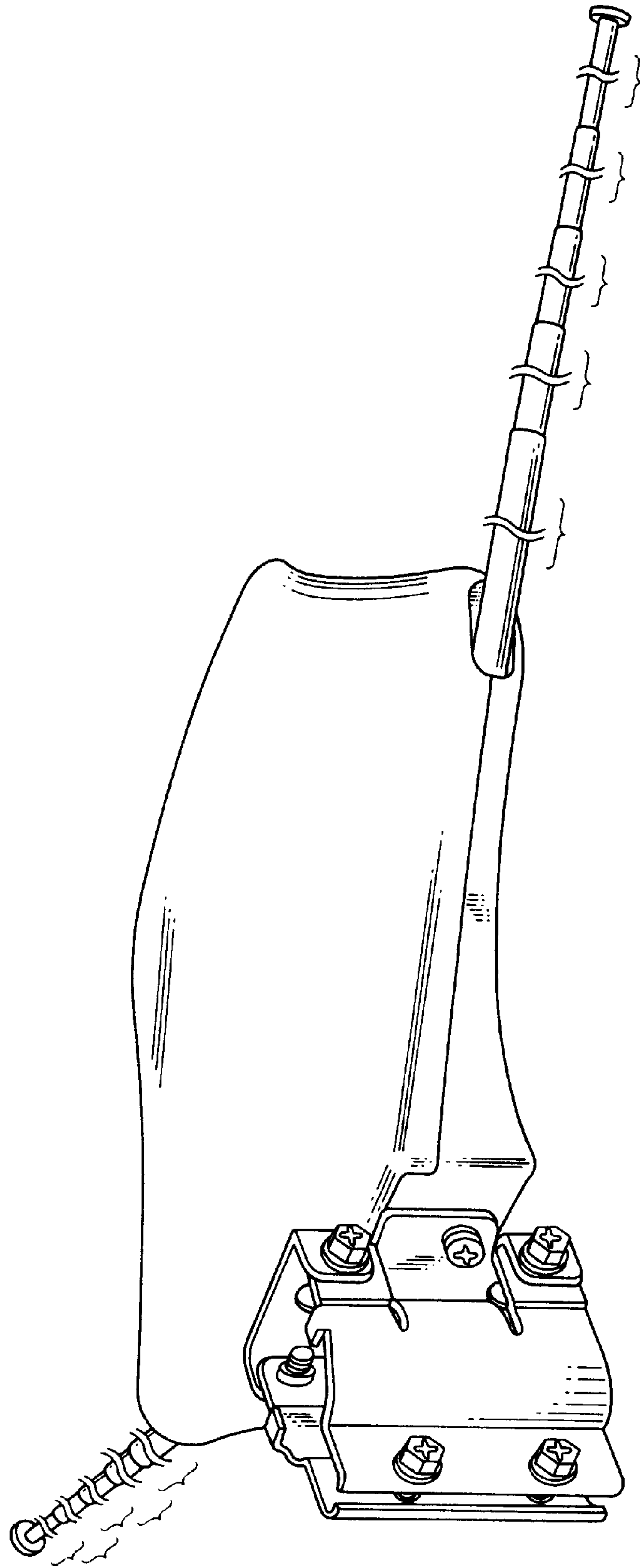


FIG. 1

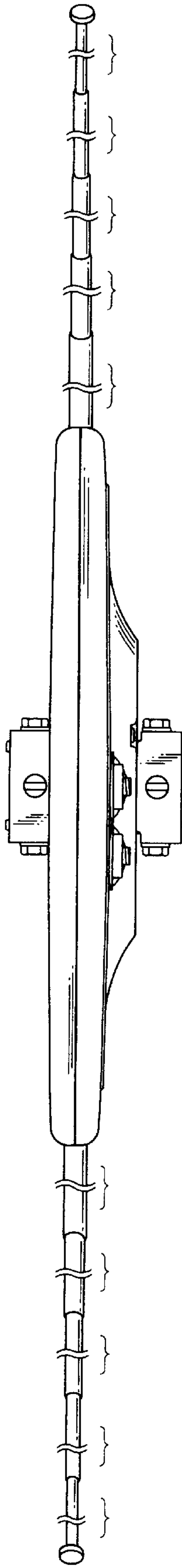


FIG. 2

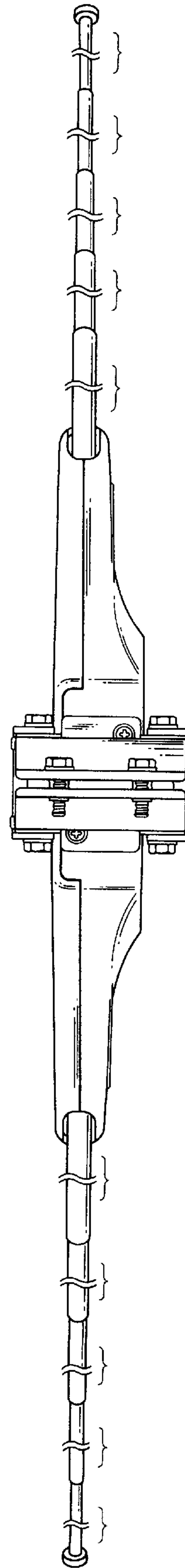


FIG. 3

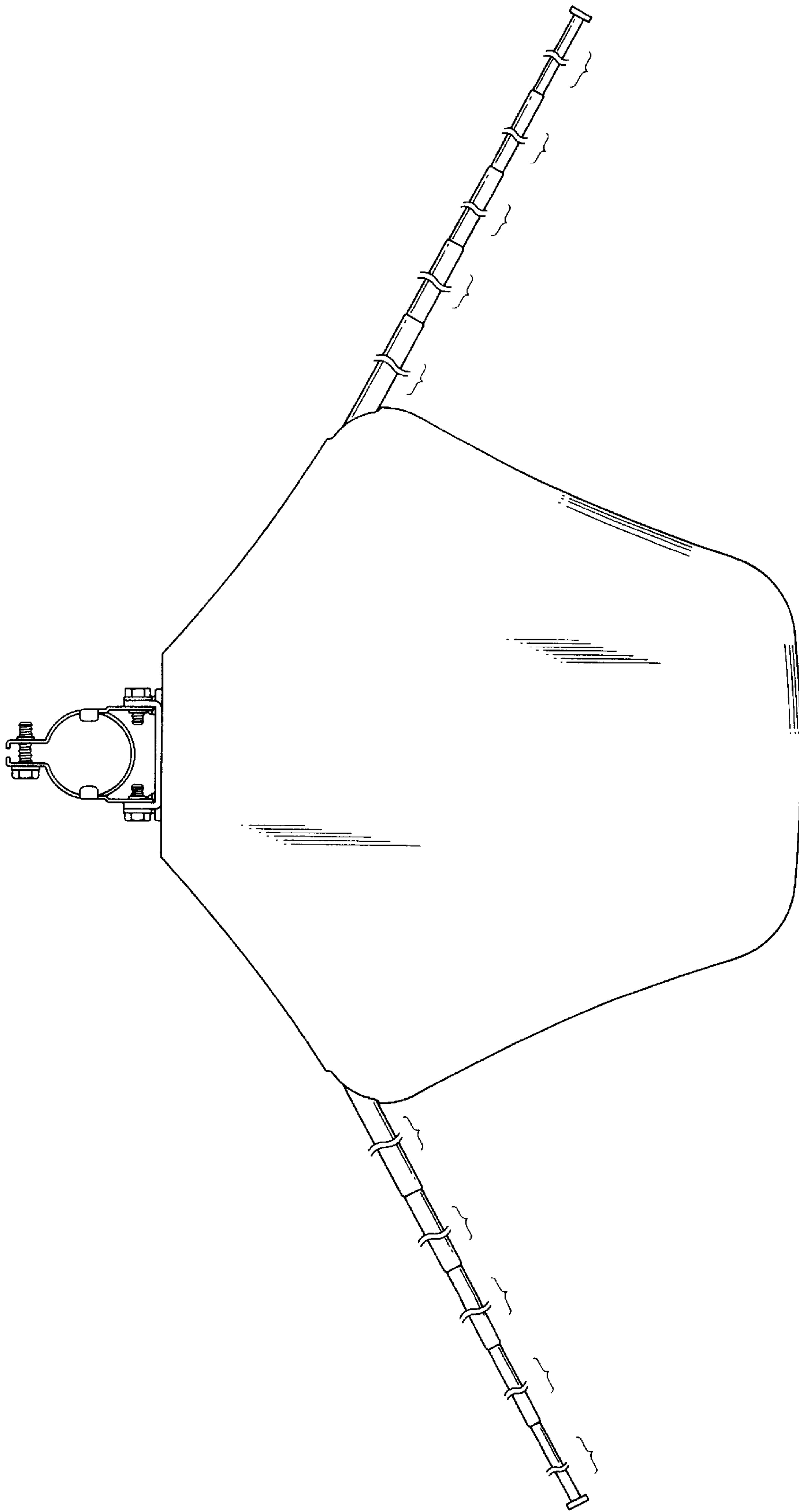


FIG. 4

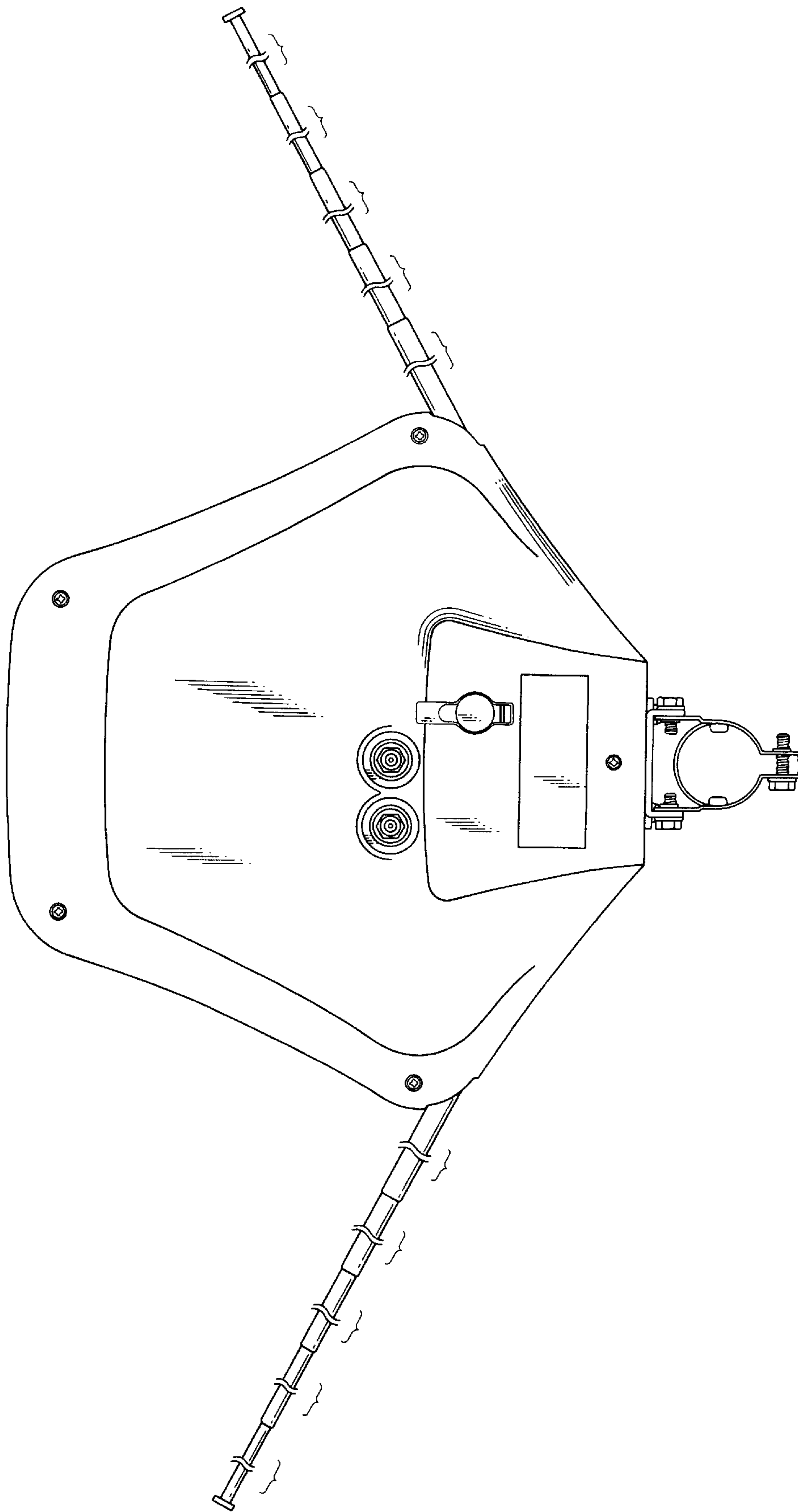


FIG. 5

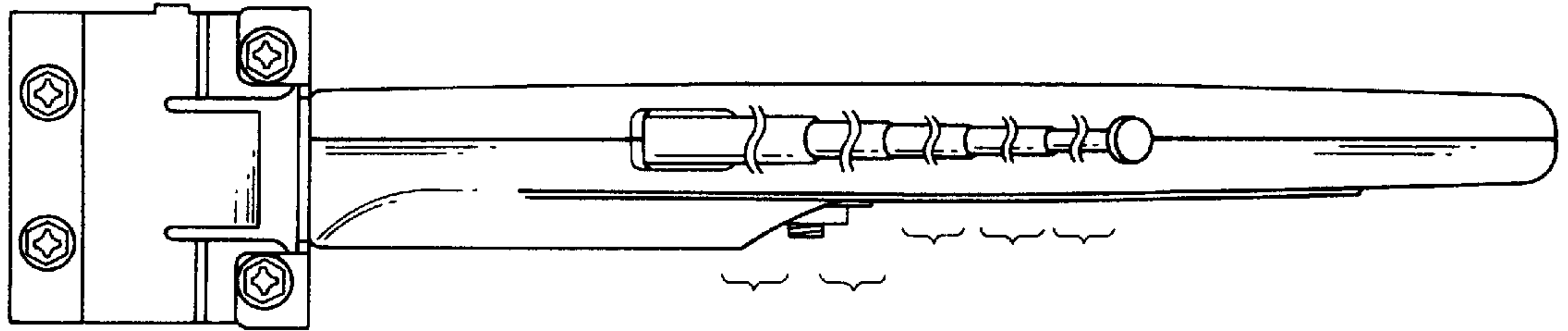


FIG. 6

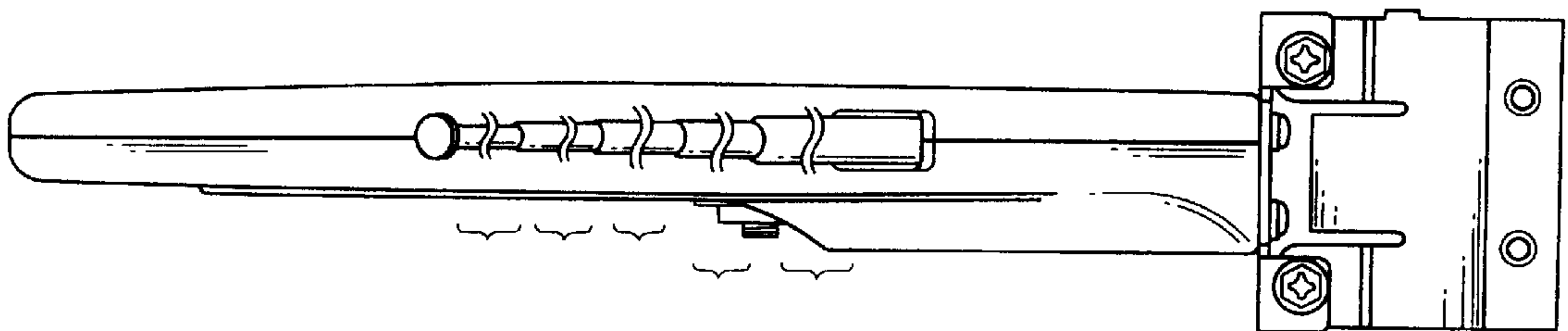


FIG. 7

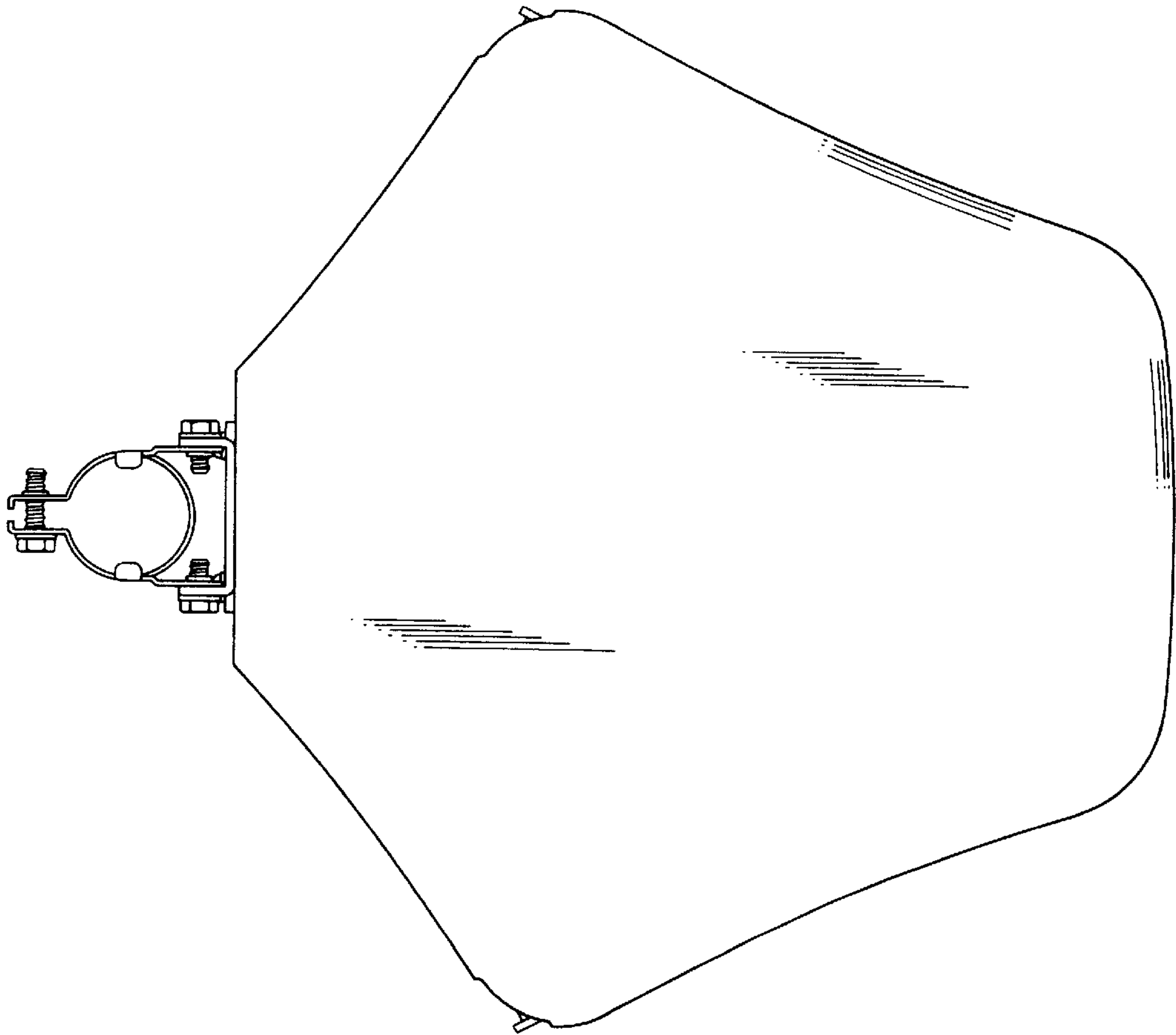


FIG. 8