



US00D427994S

# United States Patent [19] Pirelli

[11] **Patent Number: Des. 427,994**  
[45] **Date of Patent: \*\* Jul. 11, 2000**

[54] **SELF-CONTAINED EARSET  
COMMUNICATION DEVICE**

[75] Inventor: **Thomas Pirelli**, Riverwoods, Ill.

[73] Assignee: **ArialPhone LLC**, Vernon Hills, Ill.

[\*\*] Term: **14 Years**

[21] Appl. No.: **29/086,545**

[22] Filed: **Apr. 15, 1998**

[51] **LOC (7) Cl.** ..... **14-01**

[52] **U.S. Cl.** ..... **D14/223**

[58] **Field of Search** ..... D14/124, 137,  
D14/188, 192, 205, 206, 223, 265; 181/129,  
130, 135; 379/430, 431, 444; 381/25, 68-69,  
151, 183, 187

[56] **References Cited**

**U.S. PATENT DOCUMENTS**

D. 326,653	6/1992	Hino	.....	D14/192
D. 350,961	9/1994	Nakamura	.....	D14/205
D. 371,133	6/1996	Andrea	.....	D14/206
4,893,344	1/1990	Trägardh et al.	.....	381/187

4,917,504	4/1990	Scott et al.	.....	381/187
5,210,792	5/1993	Kajihara	.....	379/430
5,359,647	10/1994	Regen et al.	.....	379/56
5,448,637	9/1995	Yamaguchi et al.	.....	379/430

*Primary Examiner*—Nanda Bondade  
*Attorney, Agent, or Firm*—McDonnell Boehnen Hulbert & Berghoff

[57] **CLAIM**

The ornamental design for a self-contained earset communication device, shown and described.

**DESCRIPTION**

FIG. 1 is a perspective view of a self-contained earset communication device showing my new design; FIG. 2 is a top plan view thereof; FIG. 3 is a bottom plan view thereof; FIG. 4 is a right side elevational view thereof; FIG. 5 is a left side elevational view thereof; FIG. 6 is a rear elevational view thereof; and, FIG. 7 is a front elevational view thereof.

The broken line(s) which define the bounds of the claimed design form no part thereof.

**1 Claim, 3 Drawing Sheets**

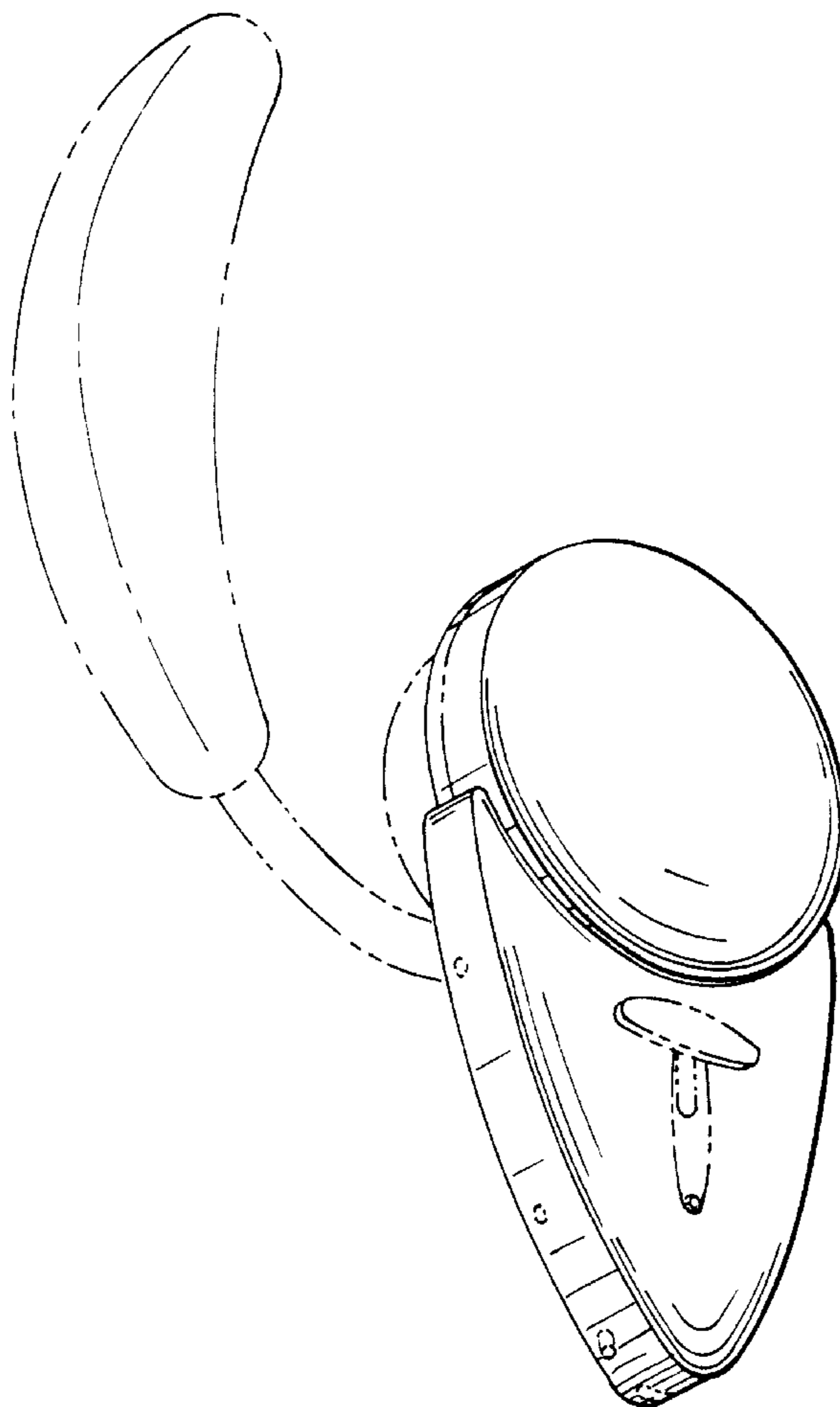


FIG. 1

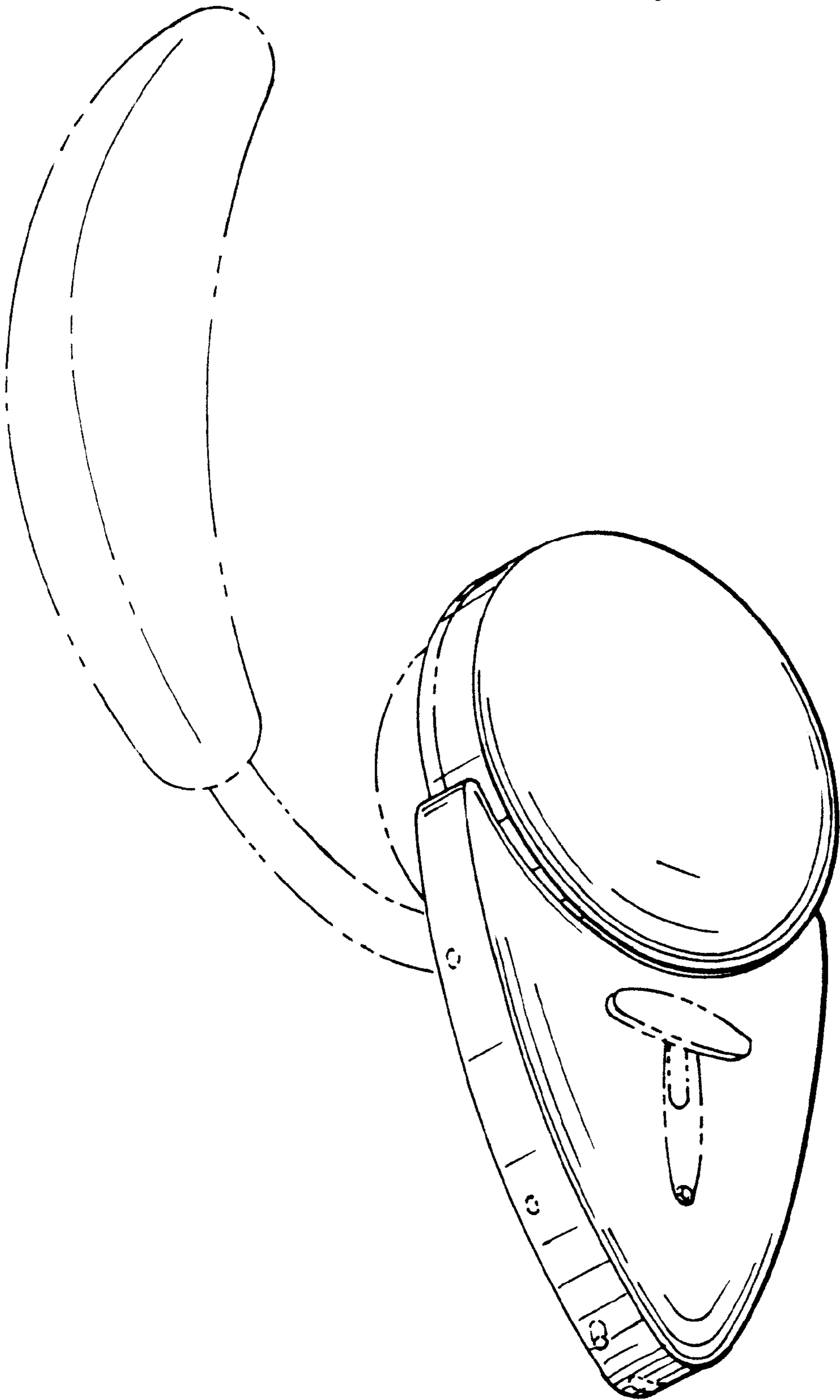


FIG.2

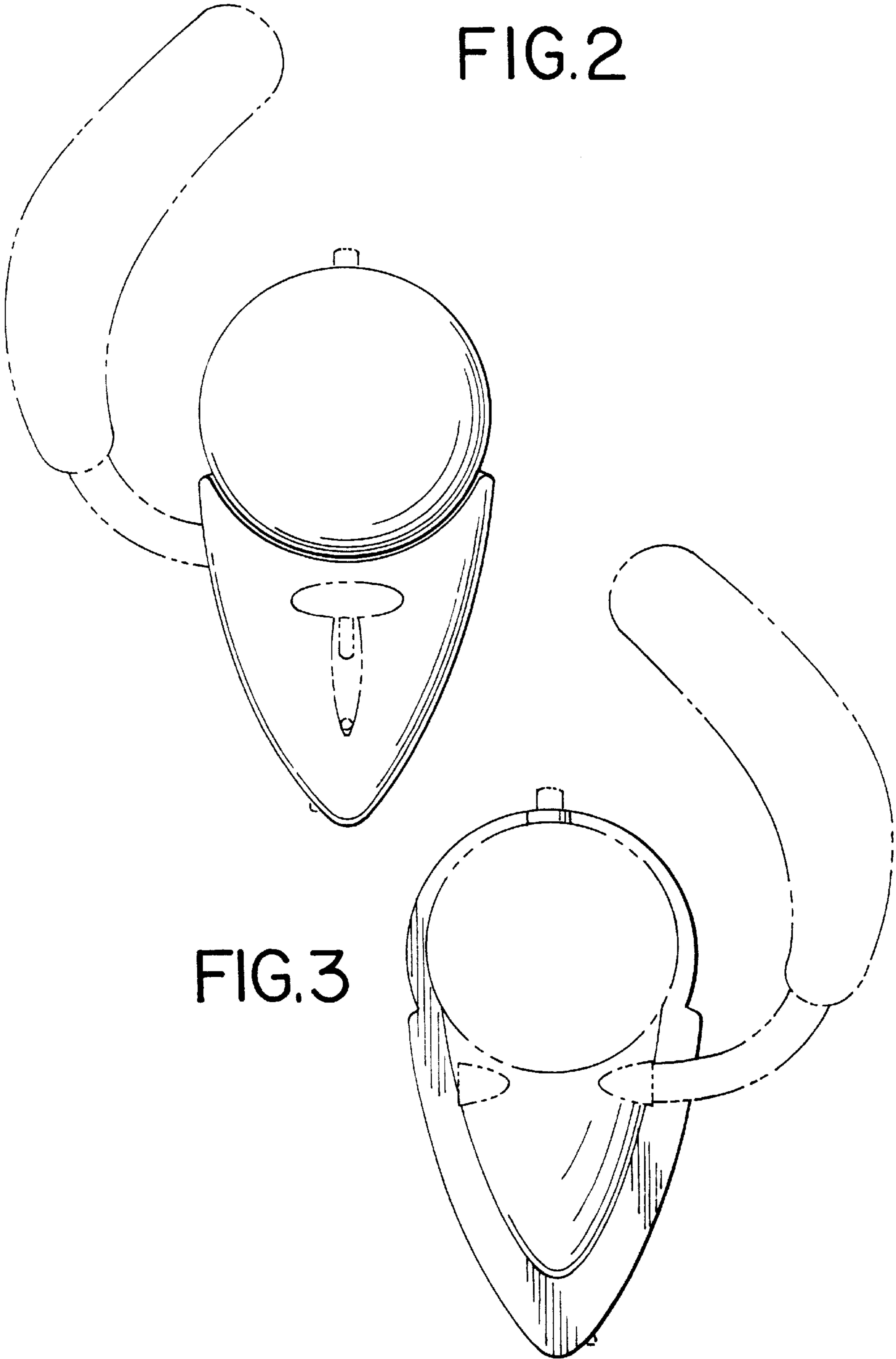


FIG.3

FIG.4

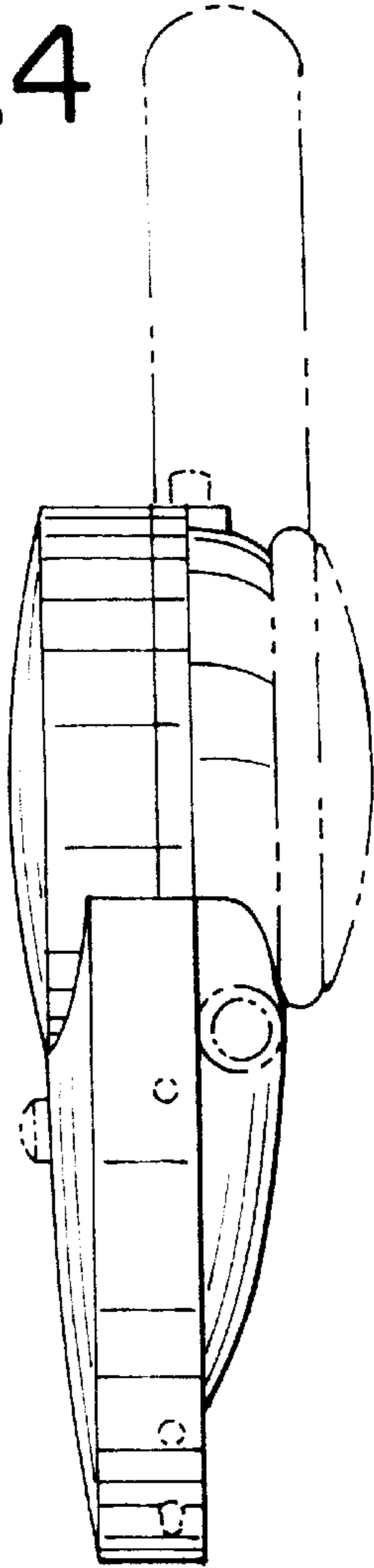


FIG.5

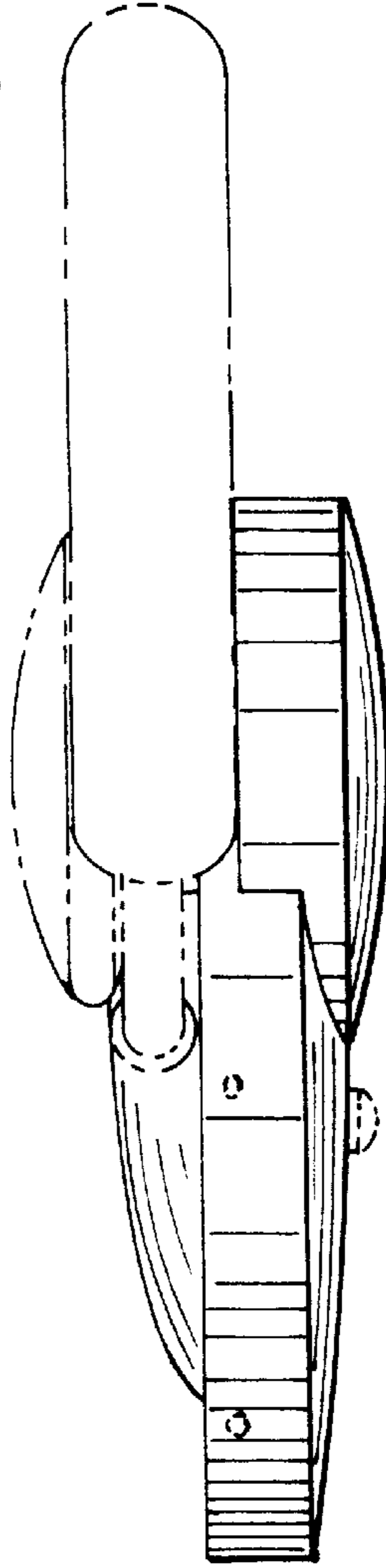


FIG.6

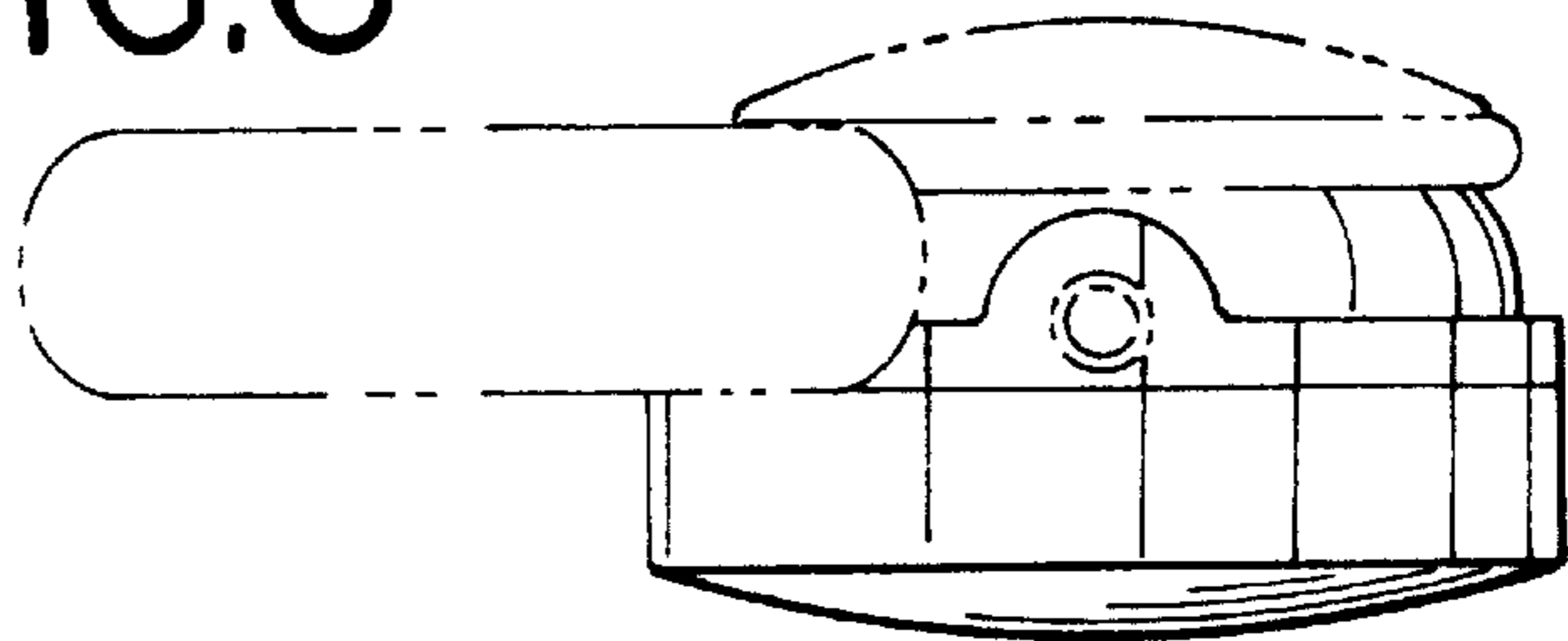


FIG.7

