



US00D427991S

# United States Patent [19]

[11] **Patent Number: Des. 427,991**

Ho

[45] **Date of Patent: \*\* Jul. 11, 2000**

[54] **AM/FM RADIO WITH MIRROR AND LCD CLOCK**

D. 408,411 4/1999 Hakoda ..... D14/168  
4,630,904 12/1986 Pastore ..... D10/2 X

[75] Inventor: **Paul Shu Keung Ho, Shek-O, China**

*Primary Examiner*—Nanda Bondade  
*Attorney, Agent, or Firm*—Alix, Yale & Ristas, LLP

[73] Assignee: **Artix Industries Company Limited, Kowloon, The Hong Kong Special Administrative Region of the People's Republic of China**

[57] **CLAIM**

The ornamental design for an AM/FM radio with mirror and LCD clock, as shown and described.

[\*\*] Term: **14 Years**

### DESCRIPTION

[21] Appl. No.: **29/112,612**

FIG. 1 is a front perspective view of the AM/FM radio with mirror and LCD clock showing my new design;

[22] Filed: **Oct. 20, 1999**

FIG. 2 is a front view of the AM/FM radio with mirror and LCD clock of FIG. 1;

[51] **LOC (7) Cl. .... 14-01**

FIG. 3 is a left side view of the AM/FM radio with mirror and LCD clock of FIG. 1;

[52] **U.S. Cl. .... D14/168; D14/171; D10/2**

FIG. 4 is a top plan view of the AM/FM radio with mirror and LCD clock of FIG. 1;

[58] **Field of Search .... D6/300, 553; D10/2, D10/4, 15; D14/168, 170-171, 188-189, 193-198; 312/7.1; 455/90, 100, 344, 347, 350, 351**

FIG. 5 is a rear view of the AM/FM radio with mirror and LCD clock of FIG. 1;

### [56] **References Cited**

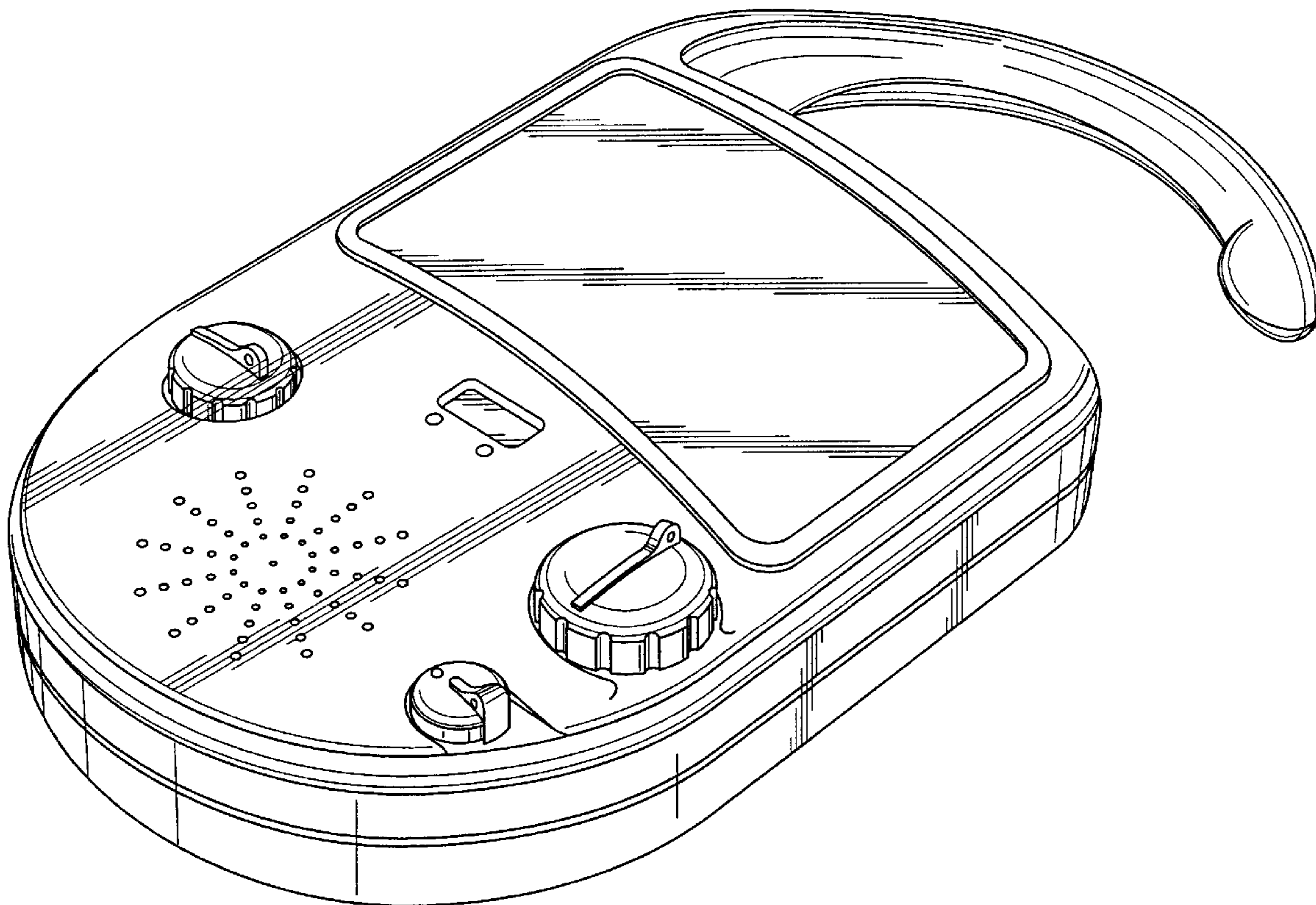
#### U.S. PATENT DOCUMENTS

D. 304,920 12/1989 Schifrin ..... D14/171 X  
D. 360,138 7/1995 DeLarosa ..... D10/15

FIG. 6 is a right side view of the AM/FM radio with mirror and LCD clock of FIG. 1; and,

FIG. 7 is a bottom plan view of the AM/FM radio with mirror and LCD clock of FIG. 1.

**1 Claim, 3 Drawing Sheets**



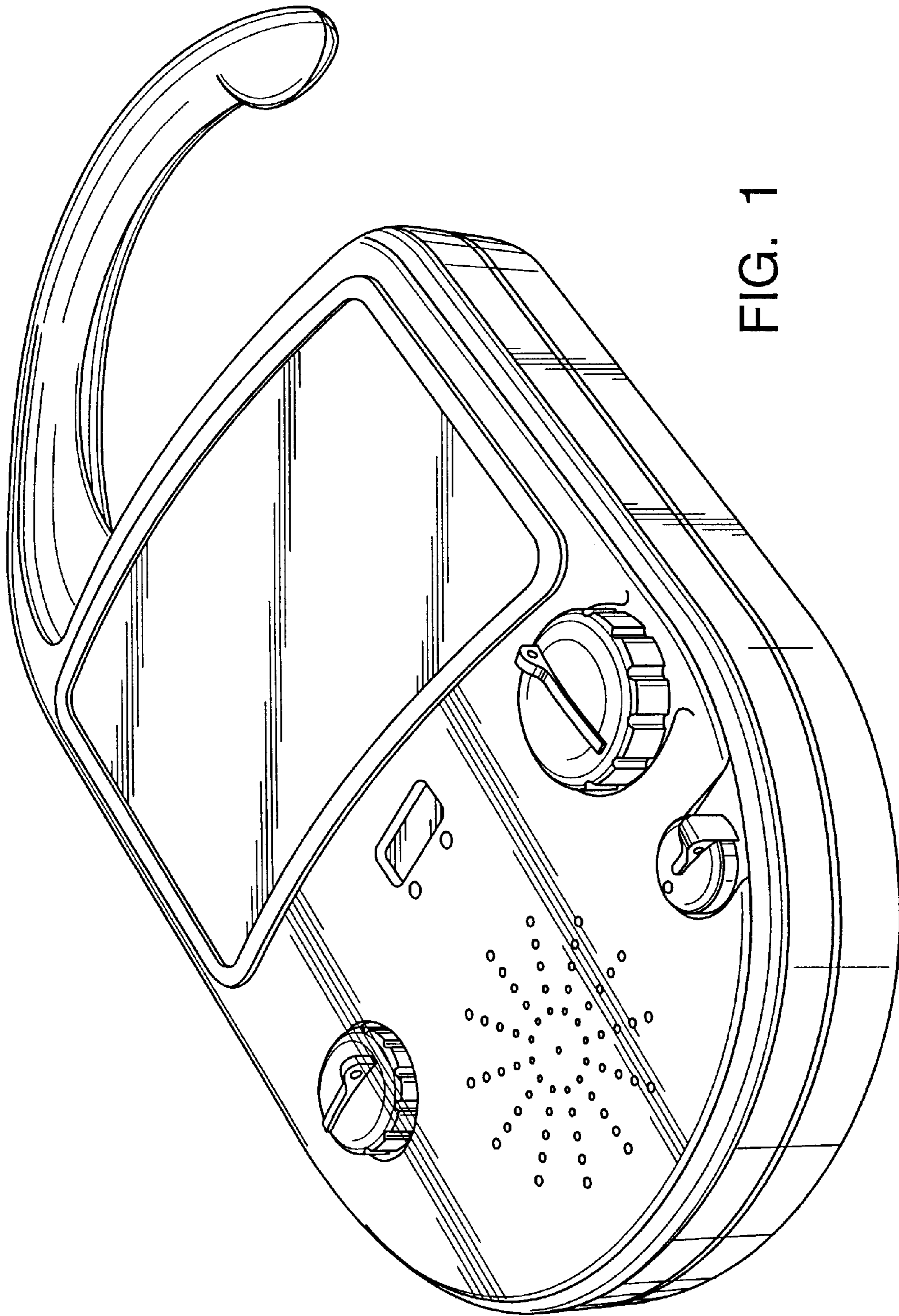


FIG. 1



FIG. 4

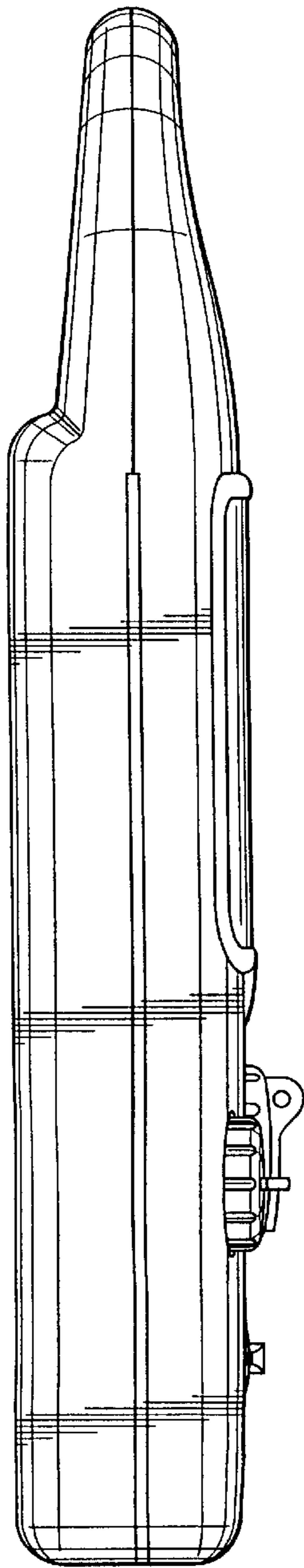
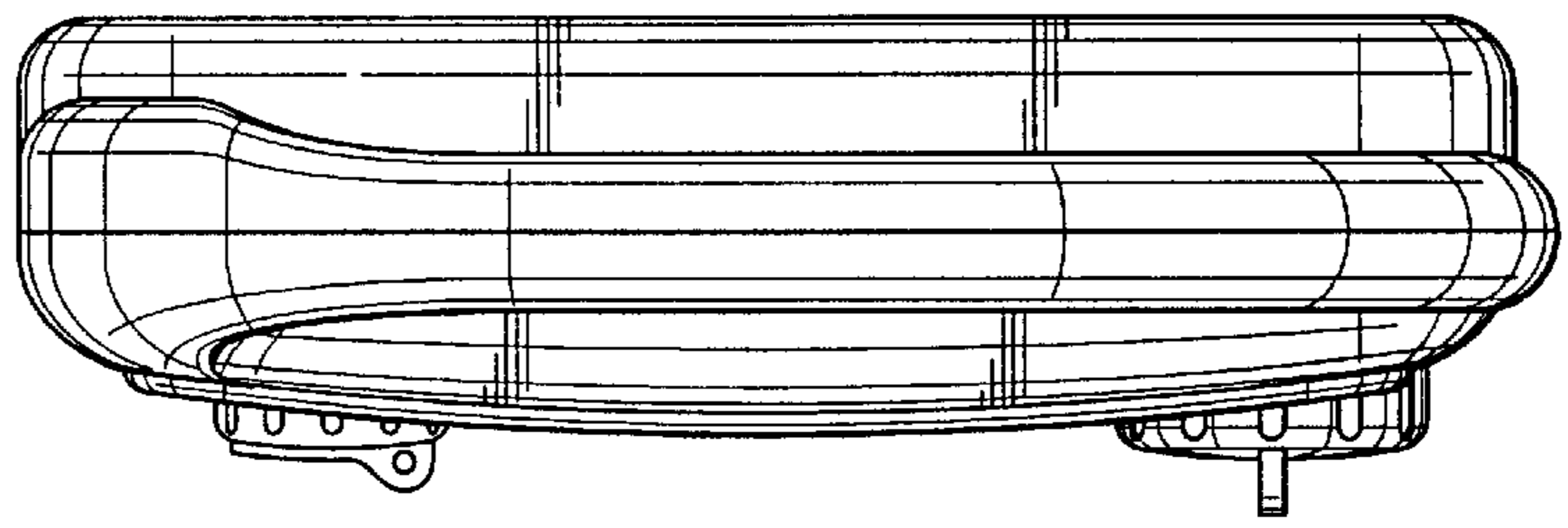


FIG. 3

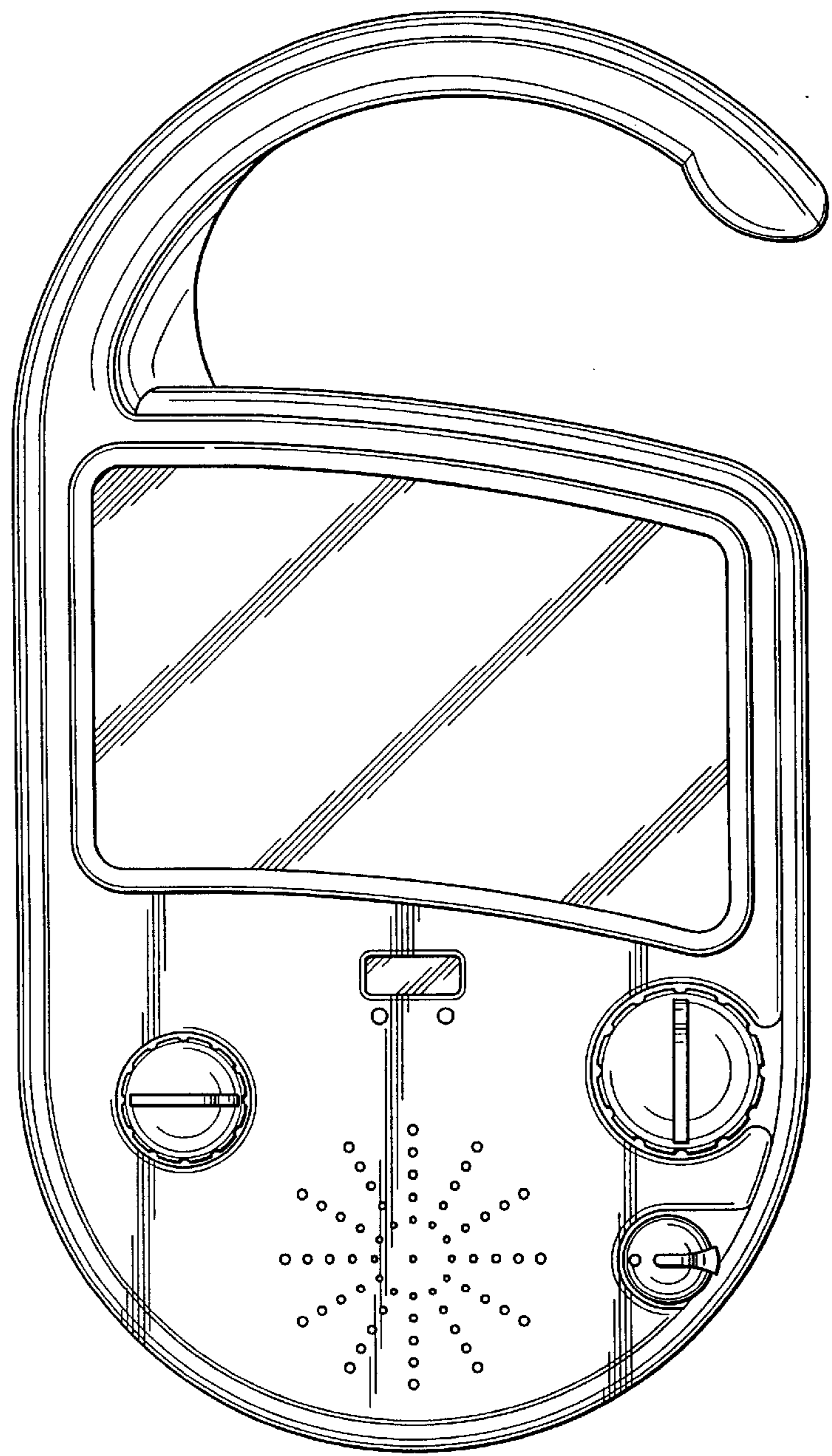


FIG. 2

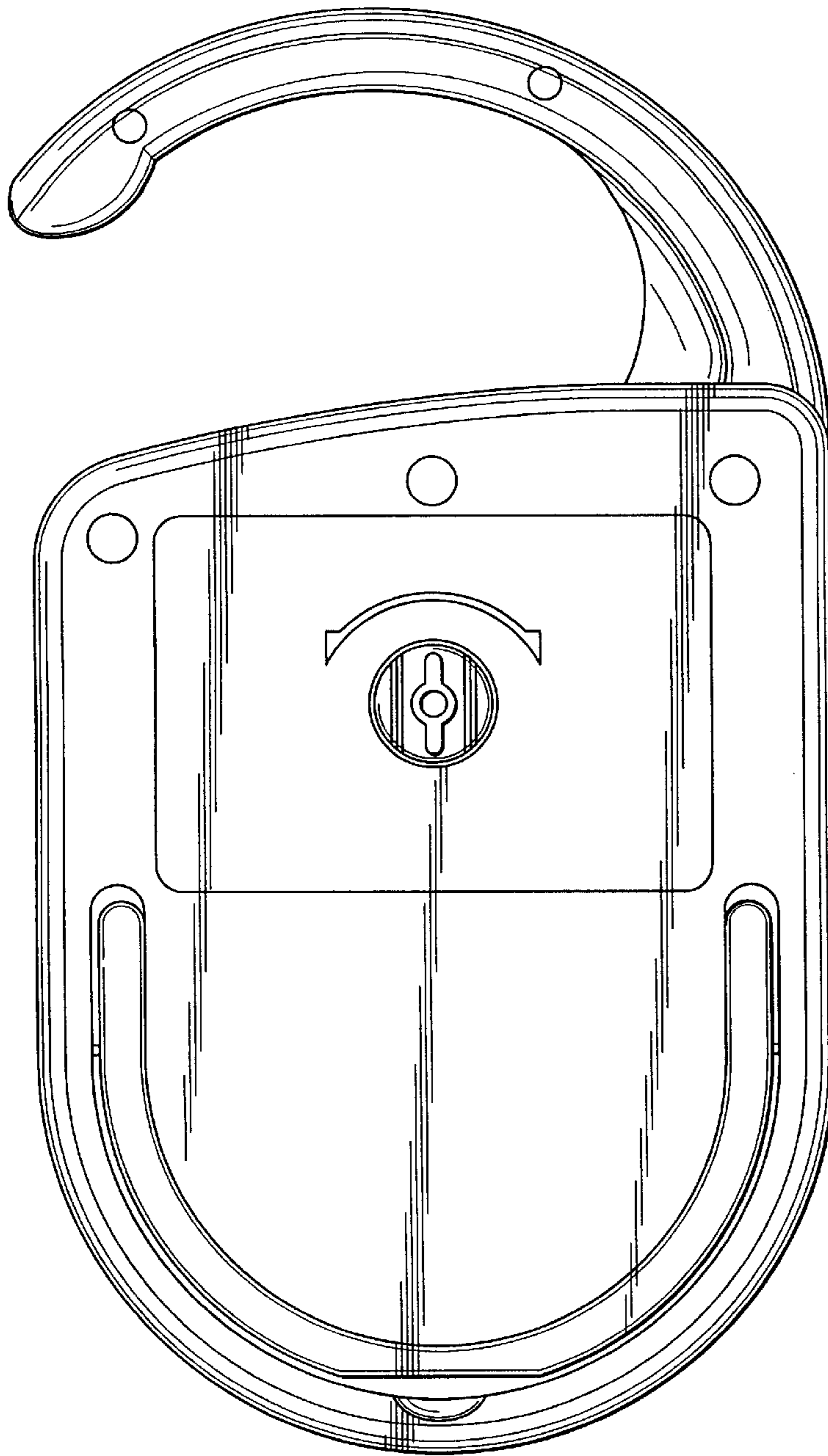


FIG. 5

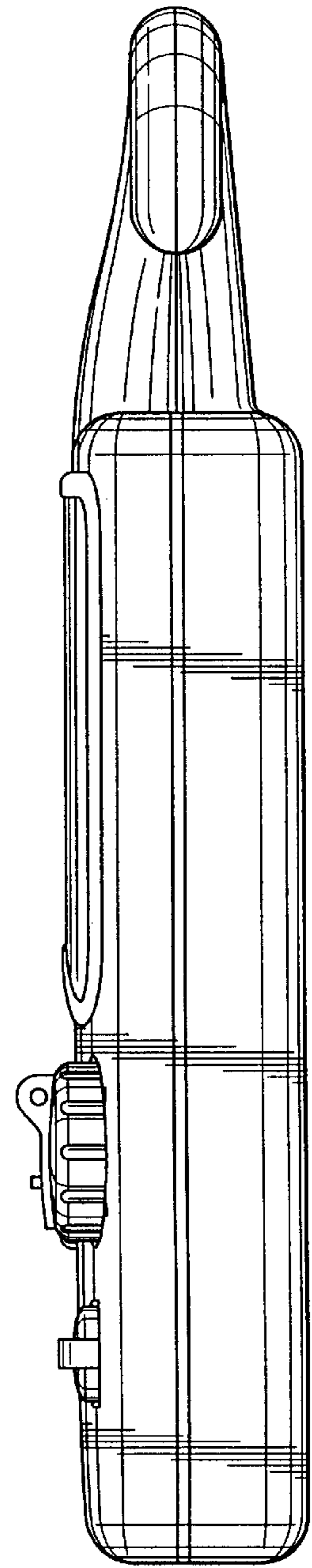


FIG. 6

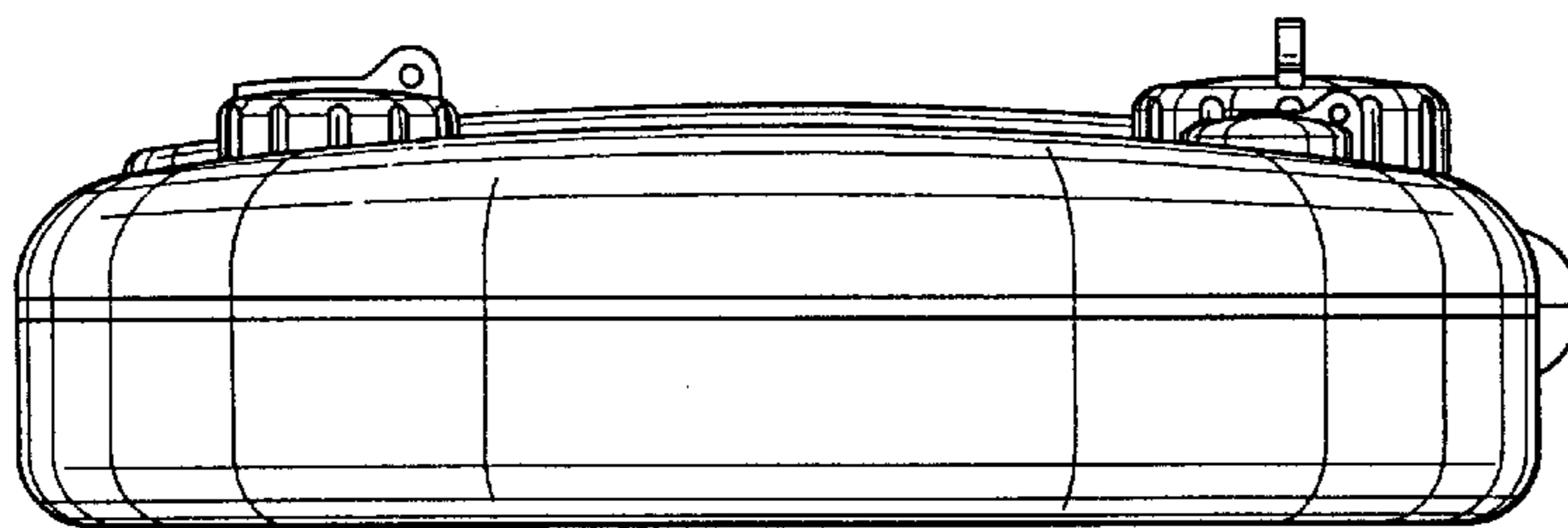


FIG. 7