



US00D427990S

United States Patent [19]

Ito et al.

[11] **Patent Number: Des. 427,990**

[45] **Date of Patent: ** Jul. 11, 2000**

[54] **DIGITAL AUDIO DISC PLAYER**

[75] Inventors: **Masafumi Ito; Minoru Sube; Hiroyuki Watanabe**, all of Musashino, Japan

[73] Assignee: **Teac Corporation**, Tokyo, Japan

[**] Term: **14 Years**

[21] Appl. No.: **29/114,059**

[22] Filed: **Nov. 17, 1999**

[30] **Foreign Application Priority Data**

May 20, 1999 [JP] Japan 11-13128

[51] **LOC (7) Cl.** **14-01**

[52] **U.S. Cl.** **D14/156**

[58] **Field of Search** D14/135, 136, D14/156, 157, 160, 167, 257, 258; 369/75.1, 75.2, 77.1, 77.2

[56] **References Cited**

U.S. PATENT DOCUMENTS

D. 279,000 5/1985 Sarges D14/157

D. 340,716 10/1993 Ito et al. D14/156
D. 394,260 5/1998 Ito et al. D14/156
D. 410,923 6/1999 Ito et al. D14/156
5,650,891 7/1997 Thayne et al. 369/77.2

Primary Examiner—Nanda Bondade
Attorney, Agent, or Firm—Ladas & Parry

[57] **CLAIM**

The ornamental design for a digital audio disc player, as shown and described.

DESCRIPTION

FIG. 1 is a perspective view of a digital audio disc player showing our new design;
FIG. 2 is a front view thereof;
FIG. 3 is a rear view thereof;
FIG. 4 is a top view thereof;
FIG. 5 is a bottom view thereof;
FIG. 6 is a left side view thereof; and,
FIG. 7 is a right side view thereof.

1 Claim, 2 Drawing Sheets

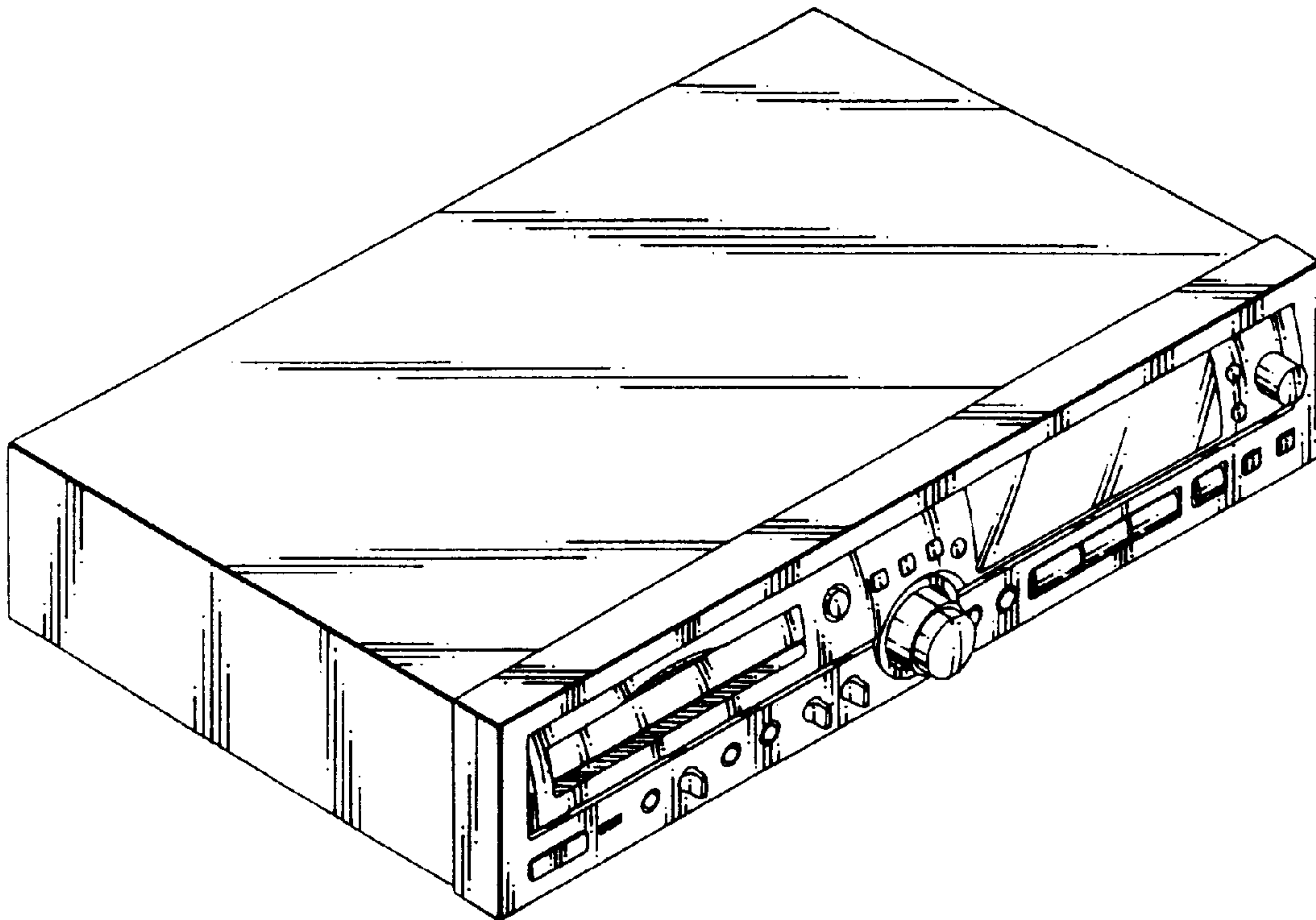


FIG. 1

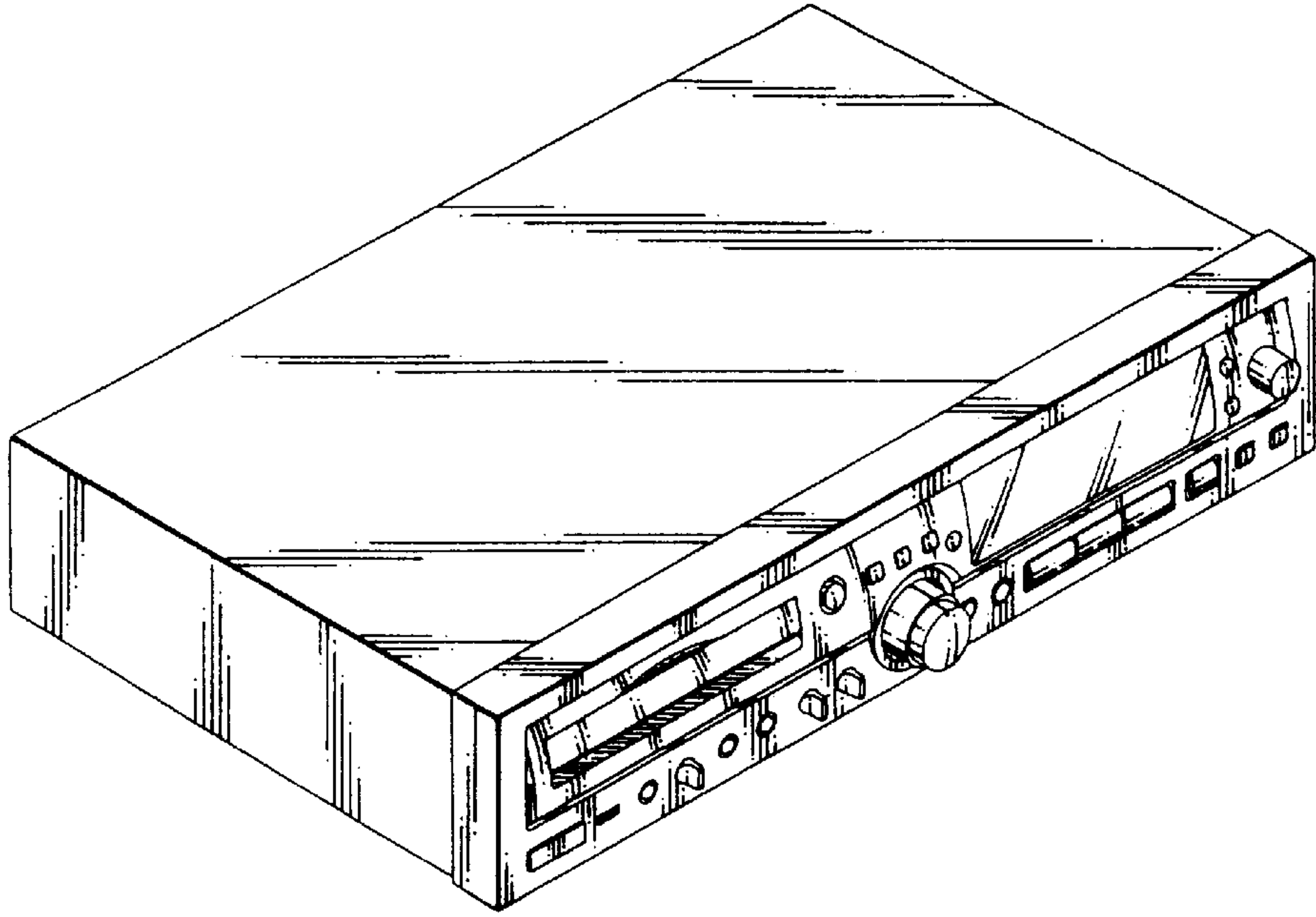


FIG. 2

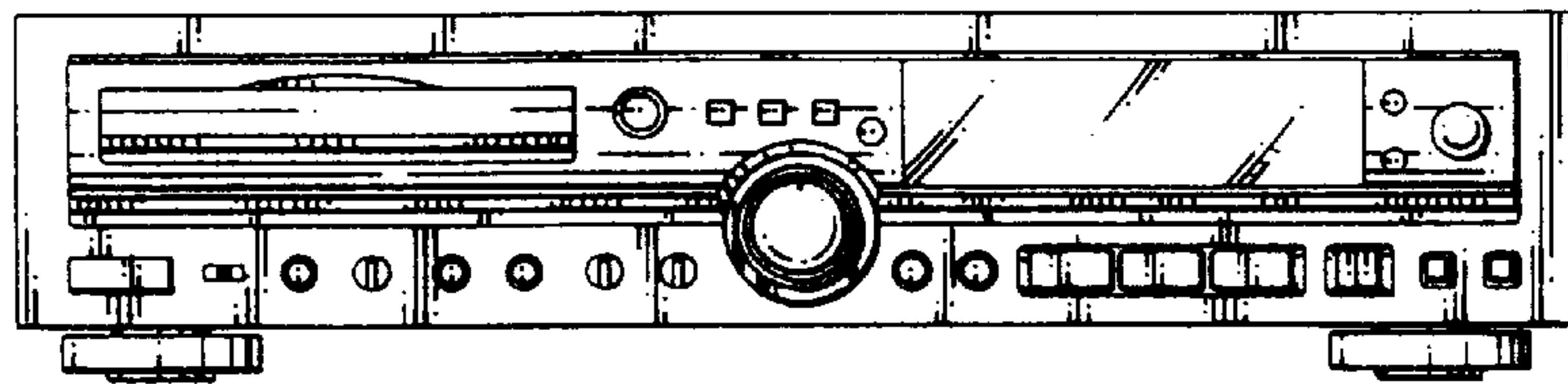


FIG. 3

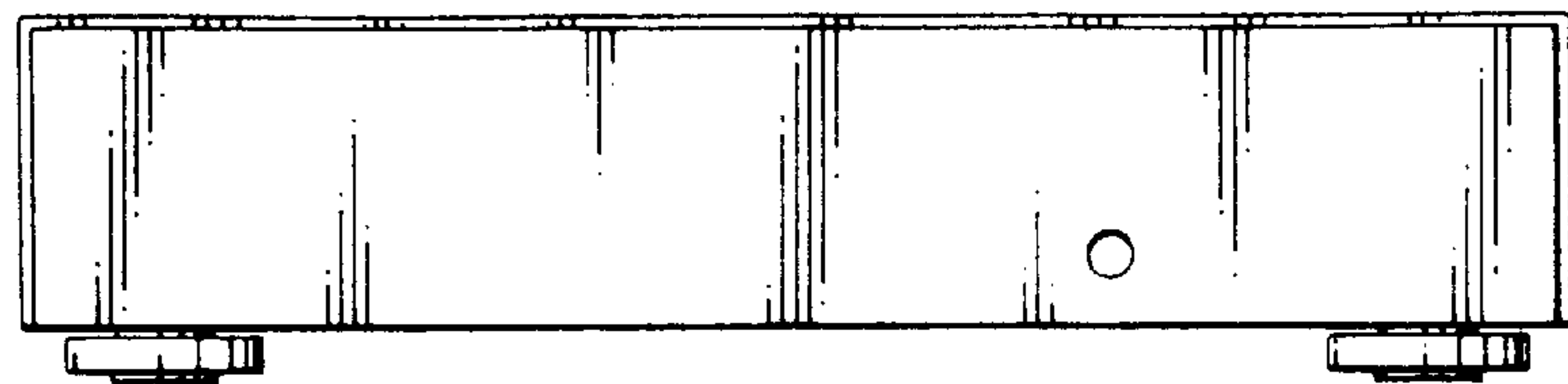


FIG. 4

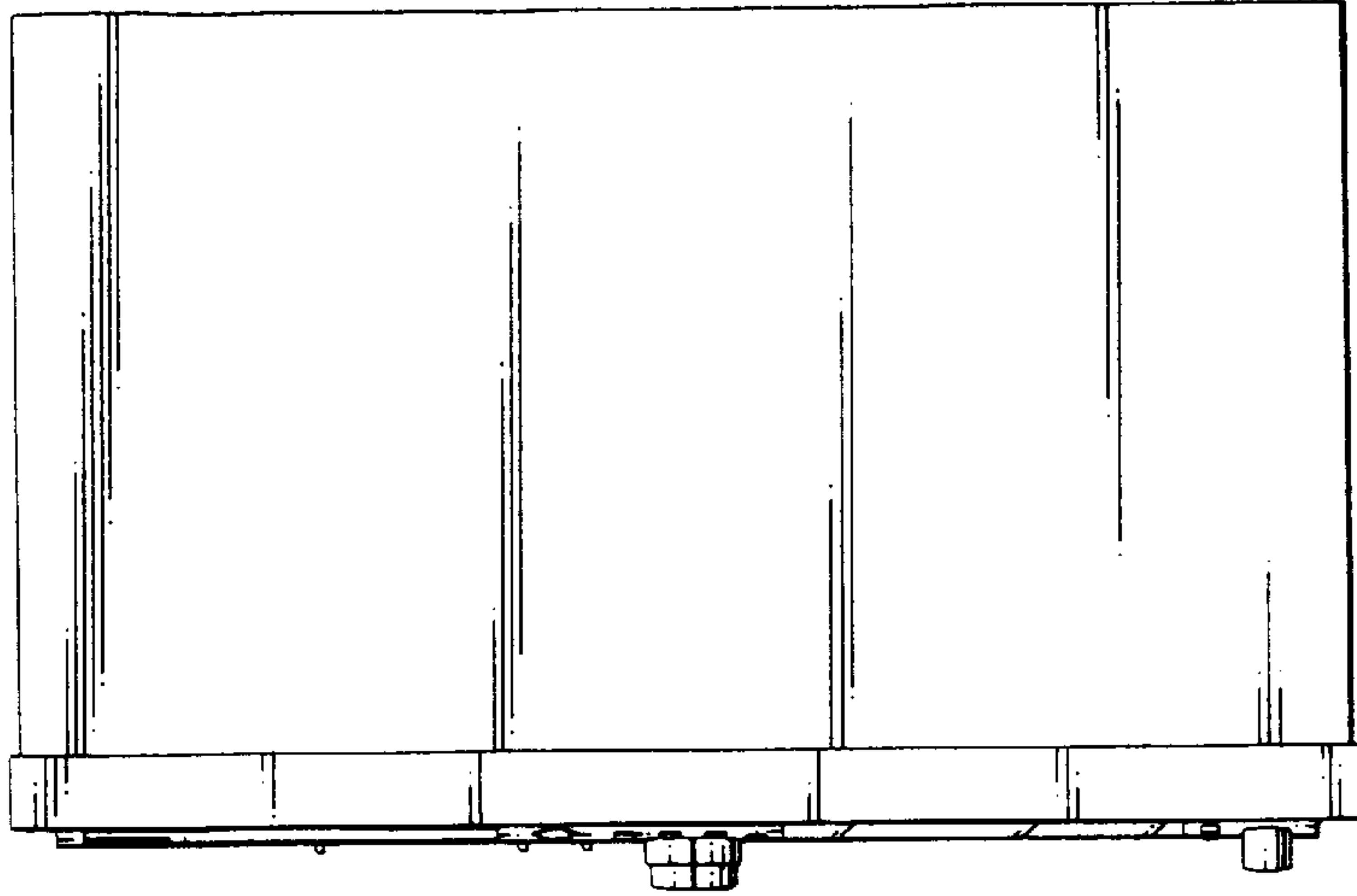


FIG. 5

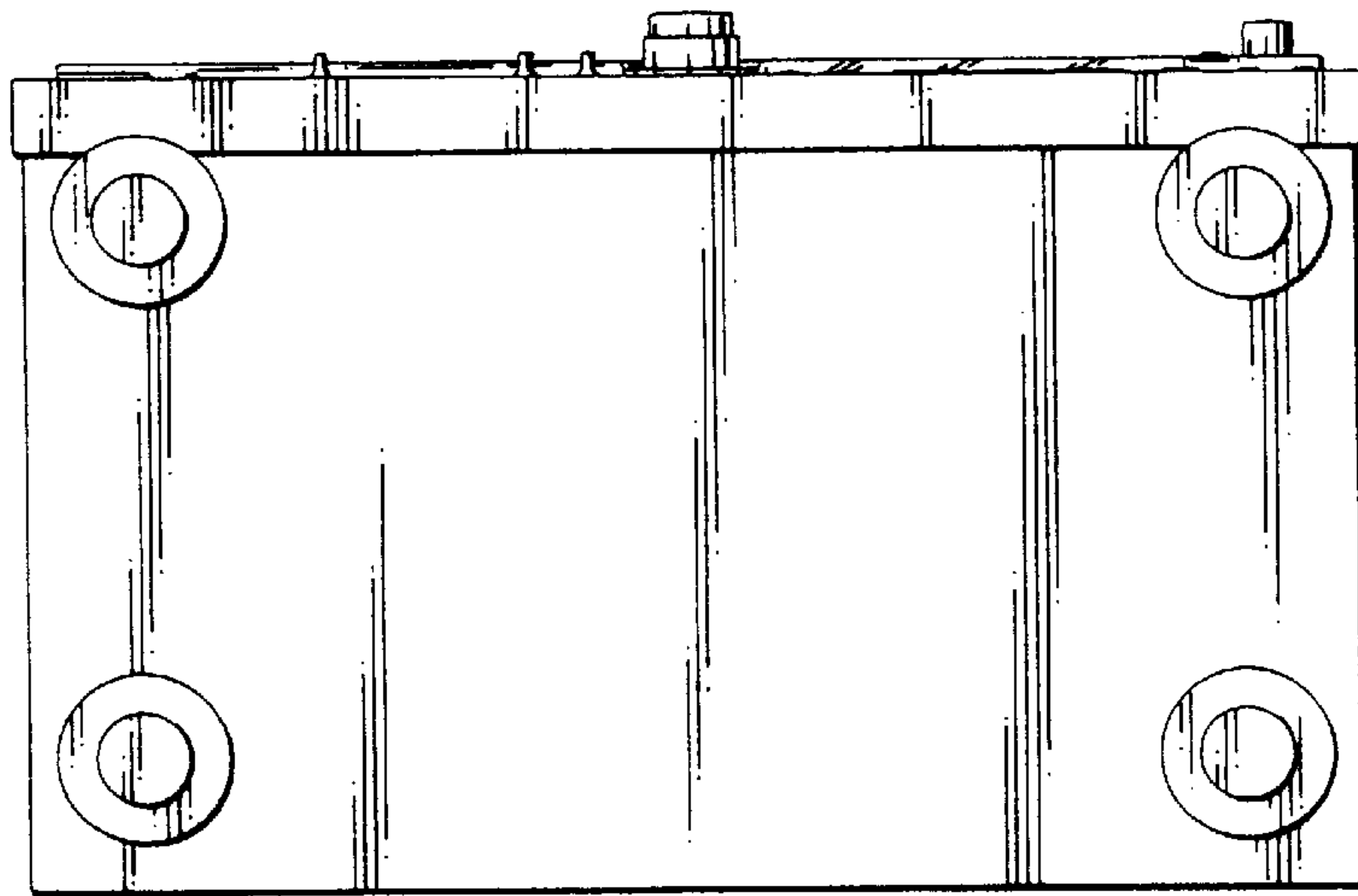


FIG. 6



FIG. 7

