



US00D427985S

# United States Patent [19]

[11] Patent Number: Des. 427,985

Takayama et al.

[45] Date of Patent: \*\* Jul. 11, 2000

## [54] TELEPHONE BASE UNIT

[75] Inventors: **Steven R. Takayama**, Atherton; **Steven P. Vassallo**; **Jonathan I. Kaplan**, both of Palo Alto; **Heather Andrus**; **Jochen Philipp Backs**, both of San Francisco; **Rudy Lucas Samuels**, Bolinas, all of Calif.

[73] Assignee: **Cisco Technology, Inc.**, San Jose, Calif.

[\*\*] Term: **14 Years**

[21] Appl. No.: **29/102,256**

[22] Filed: **Mar. 19, 1999**

[51] **LOC (7) Cl.** ..... **14-03**

[52] **U.S. Cl.** ..... **D14/151**; D14/130

[58] **Field of Search** ..... D14/137, 138, D14/144, 148, 147, 149-151, 140-142, 101, 240, 241, 130; 379/433-436, 419, 420, 428, 440

## [56] References Cited

### U.S. PATENT DOCUMENTS

D. 284,568	7/1986	Yamagami et al. ....	D14/151
D. 304,564	11/1989	Kido et al. ....	D14/151
D. 319,054	8/1991	Appleby ....	D14/151
D. 332,786	1/1993	Gagnon ....	D14/142
D. 349,900	8/1994	Read et al. ....	D14/151
D. 352,943	11/1994	Weidinger ....	D14/151
D. 354,954	1/1995	Naito et al. ....	D14/130
D. 355,192	2/1995	Chang ....	D14/151
D. 368,091	3/1996	Yoshihiko et al. ....	D14/151
D. 374,667	10/1996	Elkins et al. ....	D14/151
D. 387,056	12/1997	Yoneyama ....	D14/151
D. 391,569	3/1998	Brunner et al. ....	D14/144
D. 405,447	2/1999	Landry et al. ....	D14/151
D. 410,005	5/1999	Landry et al. ....	D14/151
D. 415,148	10/1999	Ma et al. ....	D14/130

### OTHER PUBLICATIONS

Radio Shack®, Amplified Equalizer Telephone ET-145, Owner's Manual, Cat. No. 43-598, ©1994 Tandy Corporation.

Polycom®, SoundPoint Pro Desktop Conference Phone 3-Line, User's Guide, ©1998 Polycom, Inc.  
 Sony®, 2-Line ID Telephone IT-M602, Operating Instructions, ©1998 by Sony Corporation.  
 Radio Shack®, ET-290 TrimFone Telephone, Owner's Manual, Cat. No. 43-585B/6B/7A, ©1997 Tandy Corporation.  
 Nortel, Venture Multiline Communications System, User Guide, ©1997 Northern Telecom.  
 Casio PhoneMate, TI-360 Telephone with Digital Answering Machine & Call Waiting Caller ID Display, Owner's Guide.  
 Siemens, CSL 2000, CSL 3000, User Guide, ©Siemens GEC Communication Systems Limited 1998.  
 CIDCO, Screen Telephone 2100, ©1997 by CIDCO Corporation.  
 GE, 2-9439 Three Line Business Telephone, User's Guide. No Date Given.  
 AT&T 730. No Date Given.  
 AT&T 9120. No Date Given.  
 GE sn#50219114. No Date Given.  
 Lucent 6424D+. No Date Given.  
 Lucent Technologies 930. No Date Given.  
 Northern Telecom sn#NT2N30AA43. No Date Given.  
 Radio Shack ET-283. No Date Given.  
 Samsung LCD24B. No Date Given.  
 Selsius Systems 30SP. No Date Given.

*Primary Examiner*—Jeffrey Asch  
*Attorney, Agent, or Firm*—Beyer Weaver & Thomas, LLP

## [57] CLAIM

The ornamental design for a telephone base unit, substantially as shown and described.

## DESCRIPTION

FIG. 1 is a perspective view of a telephone base unit in accordance with the present design, shown with its rear support leg deployed such as for use on a tabletop, wherein the broken line showing of a telephone handset installed in a cradle is for illustrative purposes only, and forms no part of the claimed design;

FIG. 2 is a second perspective view thereof, wherein the broken line showing of a telephone handset removed from its cradle is for illustrative purposes only, and forms no part of the claimed design;

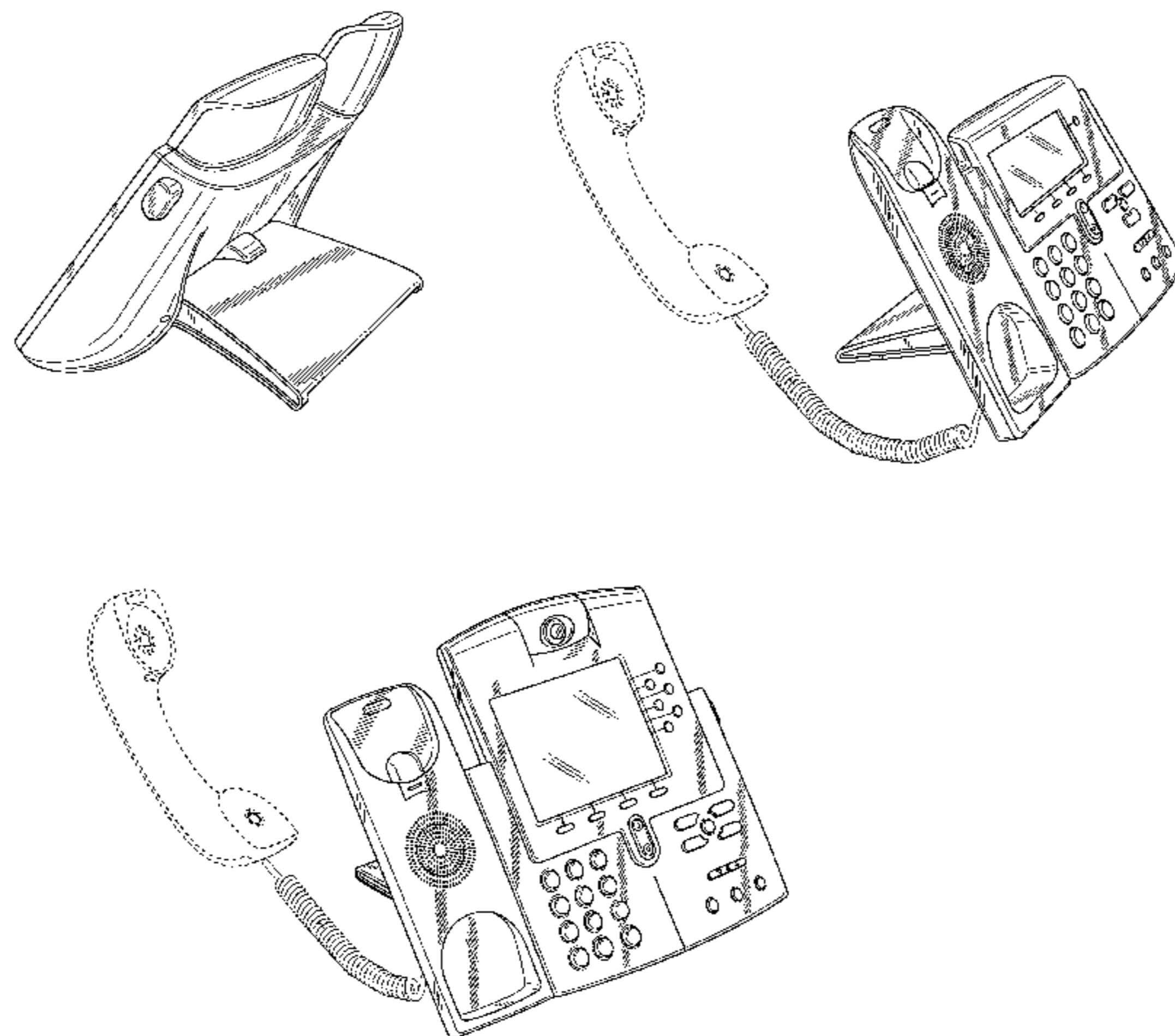


FIG. 3 is a rear perspective view of FIG. 2;  
FIG. 4 is a right side elevational view of FIG. 2;  
FIG. 5 is a right side elevational view of the telephone base unit of the present design illustrated in FIG. 1 with the rear leg retracted in a wall-mount position, and the telephone base unit or similar article oriented in a vertical position;  
FIG. 6 is a left side elevational view of FIG. 5;  
FIG. 7 is a front elevational view of FIG. 5;  
FIG. 8 is a rear elevational view of FIG. 5;  
FIG. 9 is a top plan view of FIG. 5;  
FIG. 10 is a bottom plan view of FIG. 5;  
FIG. 11 is a perspective view of a second embodiment of the telephone base unit in accordance with the present design shown with its rear leg deployed, wherein the broken line showing of a telephone handset removed from its cradle is for illustrative purposes only, and forms no part of the claimed design;  
FIG. 12 shows a rear perspective view of FIG. 11;  
FIG. 13 shows a right side elevational view of the telephone base unit of the present design illustrated in FIG. 11 with the rear leg retracted in a wall-mount position, and the telephone base unit or similar article oriented in a vertical position;  
FIG. 14 is a left side elevational view of FIG. 13;  
FIG. 15 is a front elevational view of FIG. 13;  
FIG. 16 is a rear elevational view of FIG. 13, the other views being identical to those shown in FIGS. 9 and 10;  
FIG. 17 is a perspective view of a third embodiment of a telephone base unit in accordance with the present design shown with its rear leg deployed, wherein the broken line showing of a telephone handset removed from its cradle is for illustrative purposes only, and forms no part of the claimed design;

FIG. 18 is a rear perspective view of FIG. 17;  
FIG. 19 is right side elevational view of the telephone base unit of the present design illustrated in FIG. 17 with the rear leg retracted in a wall-mount position, and the telephone base unit or similar article oriented in a vertical position;  
FIG. 20 is a left side elevational view of FIG. 19;  
FIG. 22 is rear elevational view of FIG. 19, the other views being identical to those shown in FIGS. 9 and 10;  
FIG. 23 is a perspective view of a fourth embodiment of a telephone base unit in accordance with the present design shown with its rear leg deployed, wherein the broken line showing of a handset removed from its cradle is for illustrative purposes only, and forms no part of the claimed design;  
FIG. 24 is a rear perspective view thereof;  
FIG. 25 is a right side elevational view of the telephone base unit of the present design illustrated in FIG. 17 with the rear leg retracted in a wall-mount position and the telephone base unit in a vertical position;  
FIG. 26 is a left side elevational view of FIG. 25;  
FIG. 27 is a front elevational view of FIG. 25;  
FIG. 28 is a rear elevational view of FIG. 25;  
FIG. 29 is a top plan view of FIG. 25; and,  
FIG. 30 is a bottom plan view of FIG. 25.

**1 Claim, 24 Drawing Sheets**

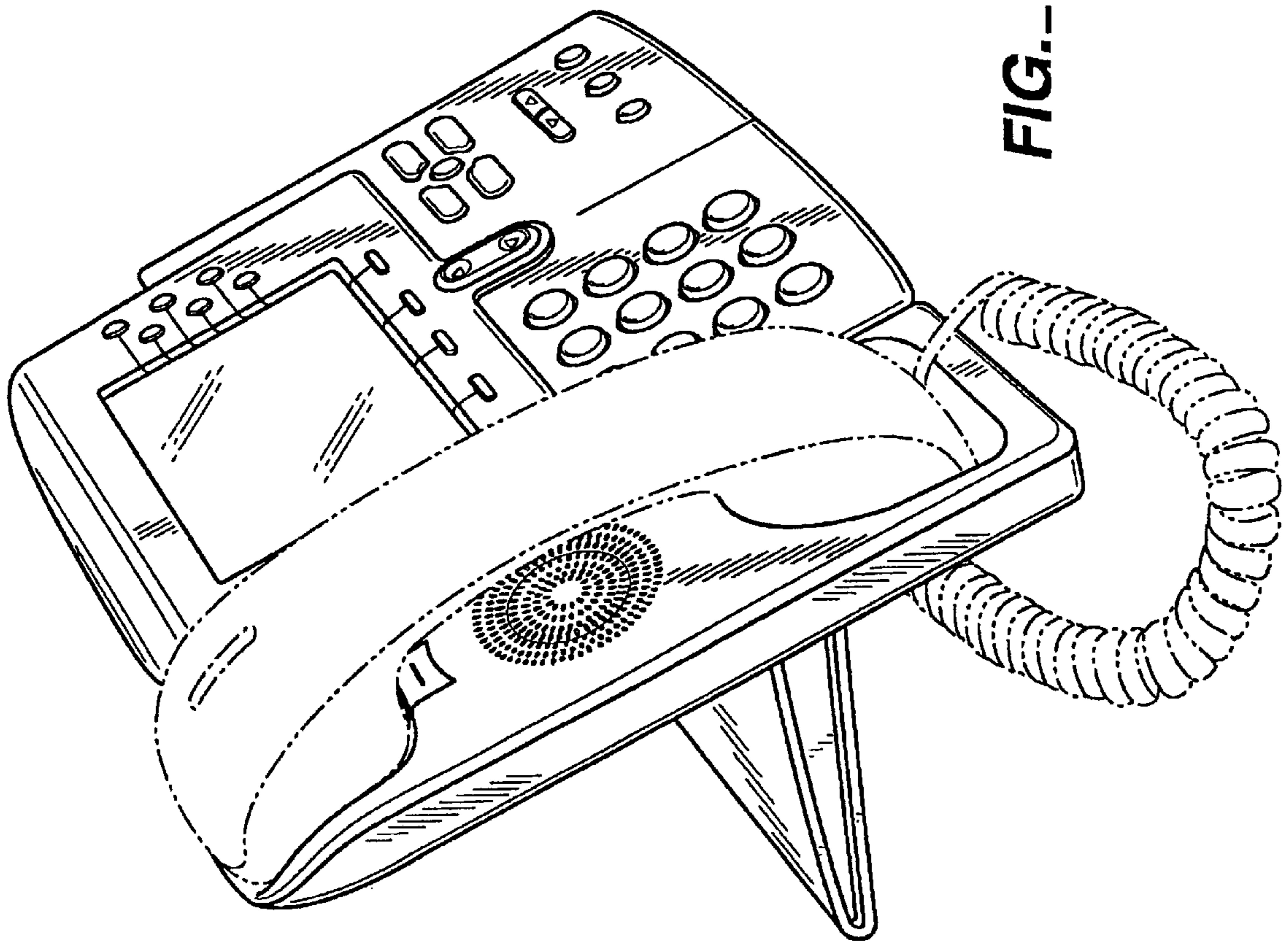


FIG. 1

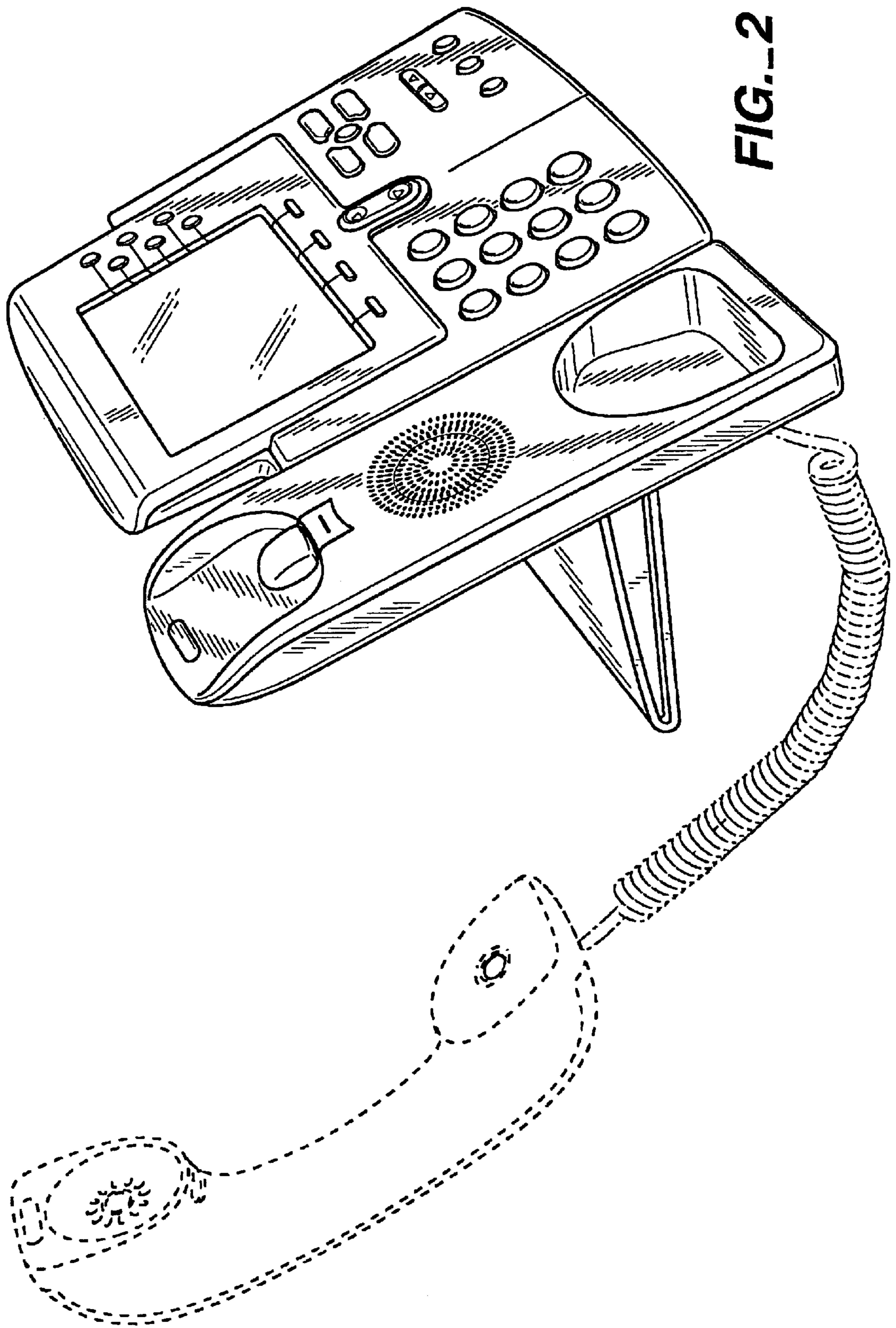


FIG.-2

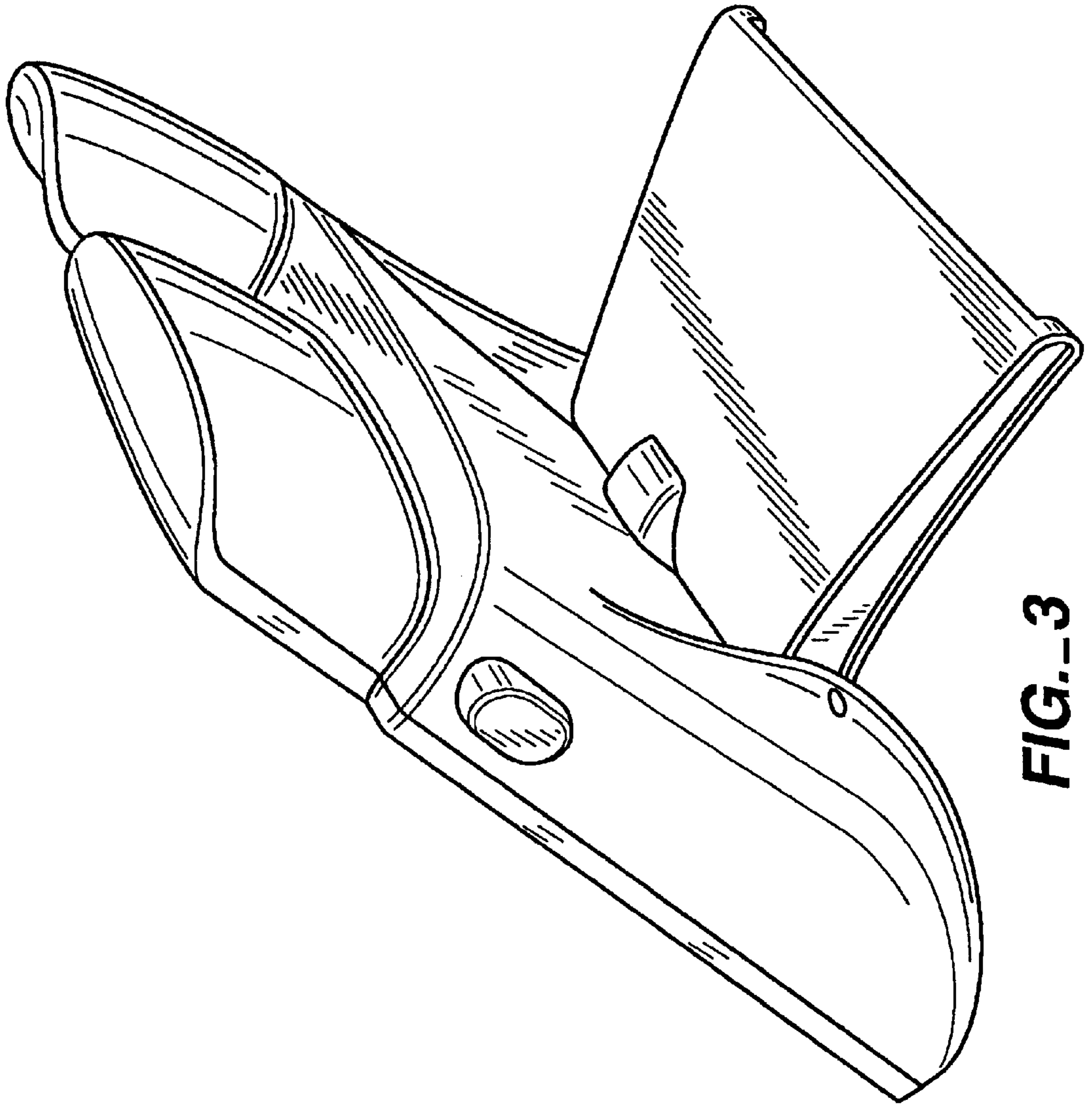
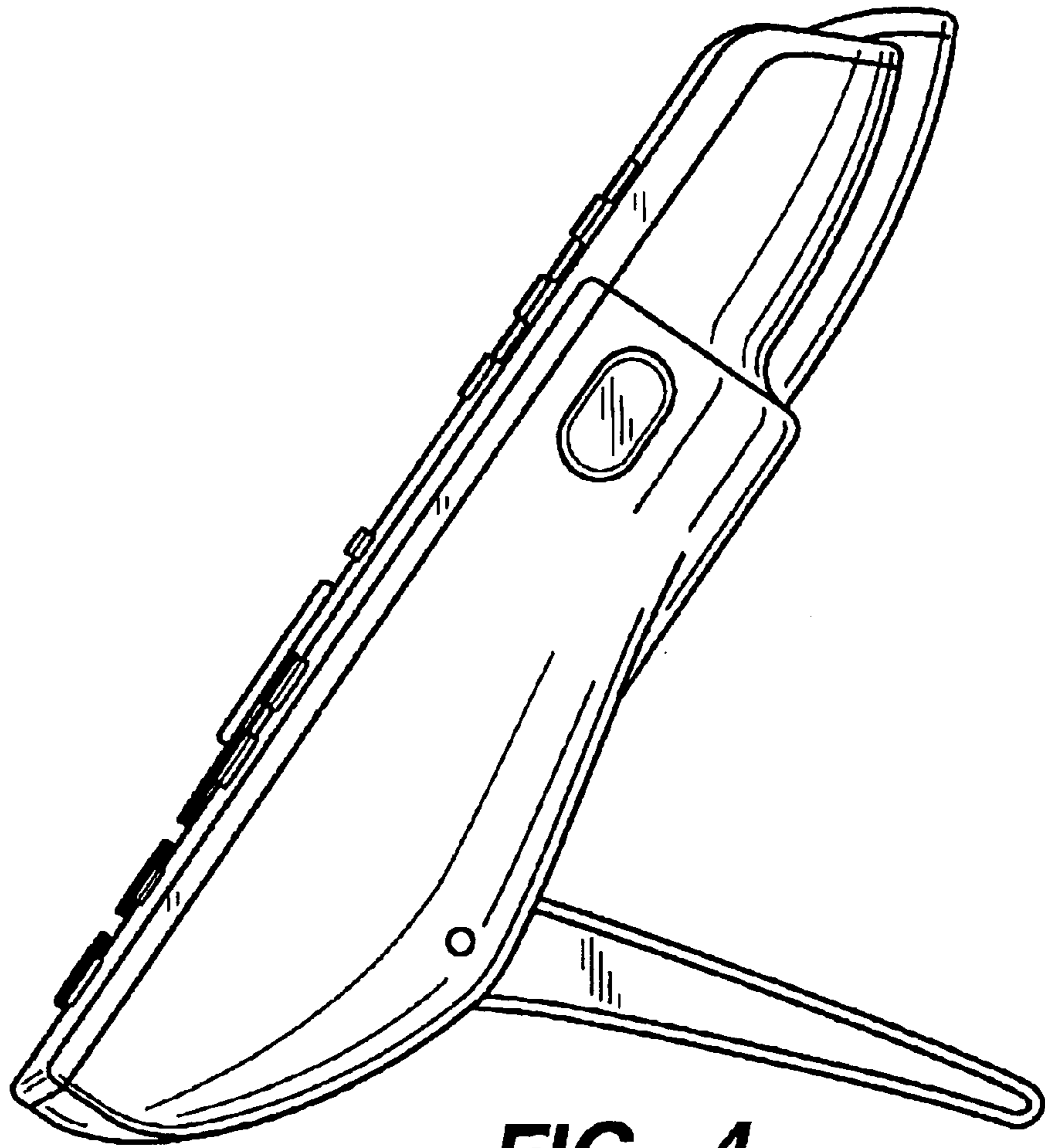
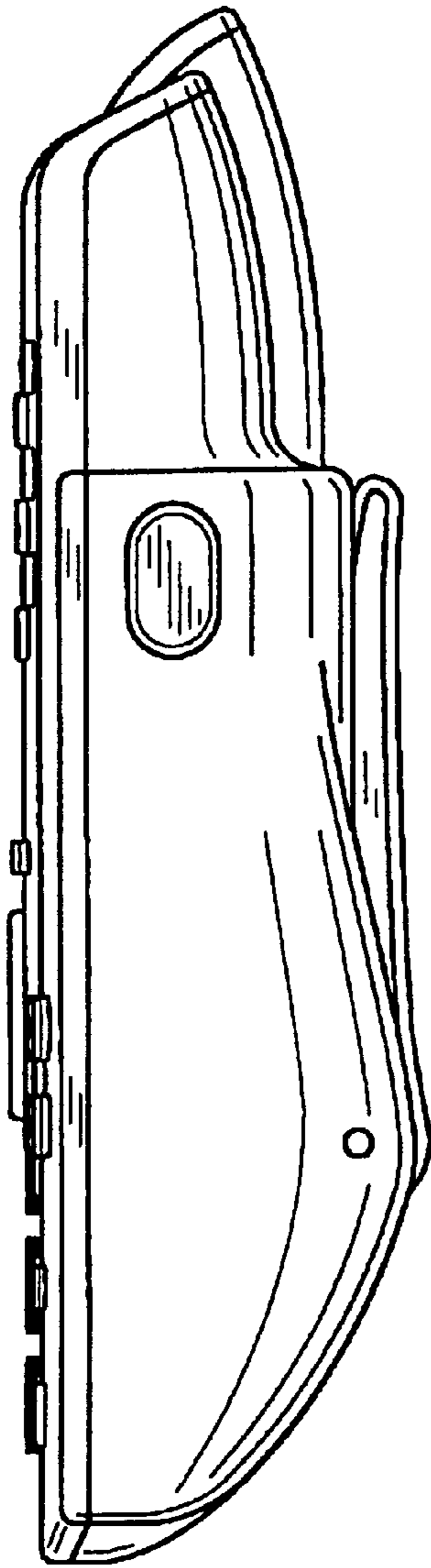


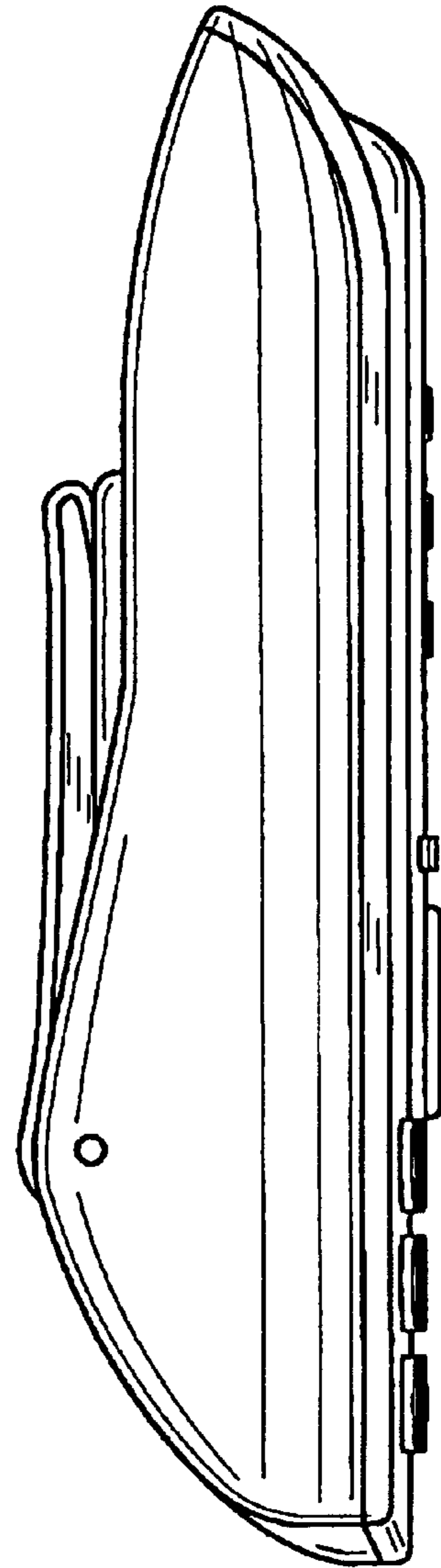
FIG.-3



**FIG. 4**

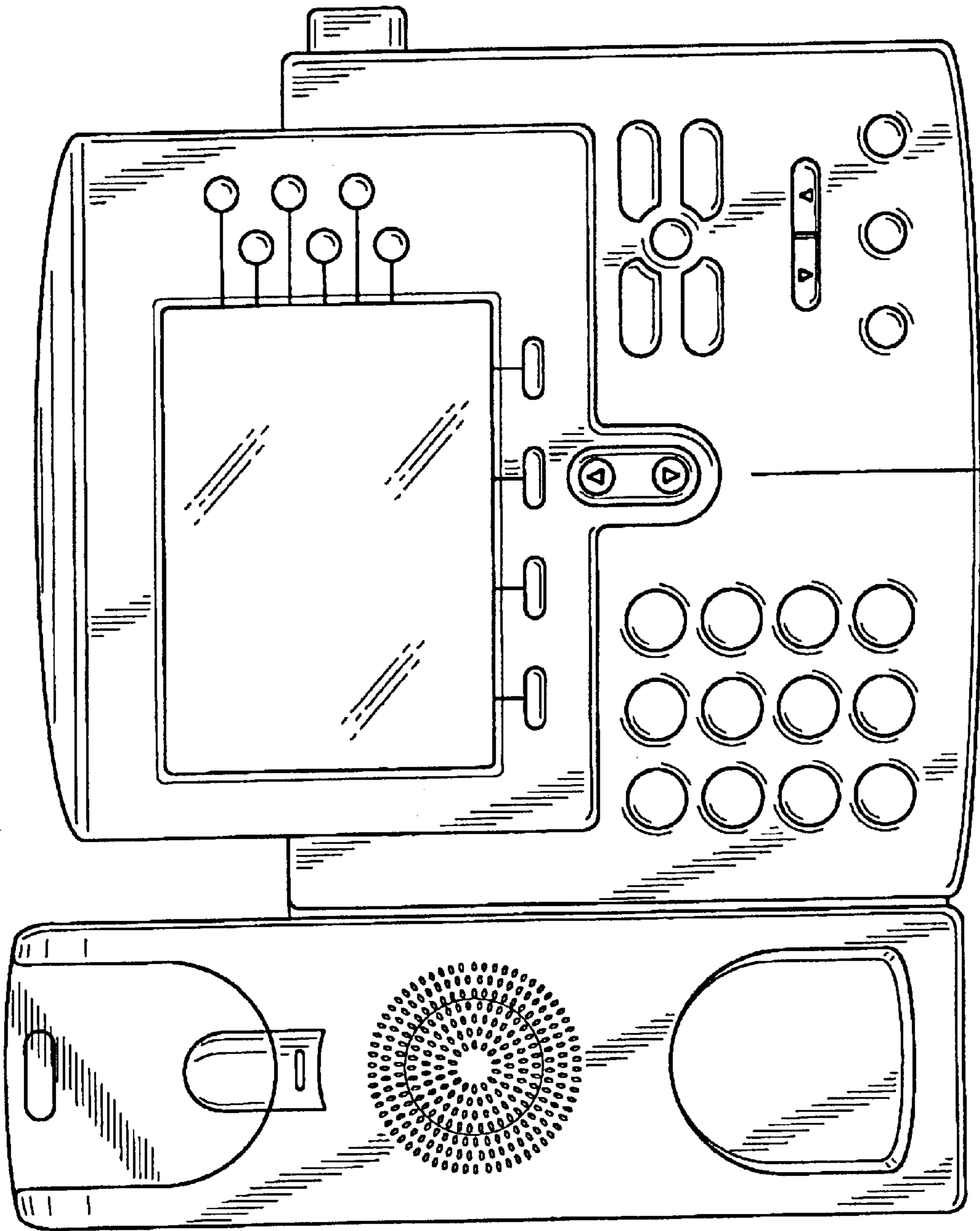


**FIG. 5**



**FIG. 6**

FIG. 7





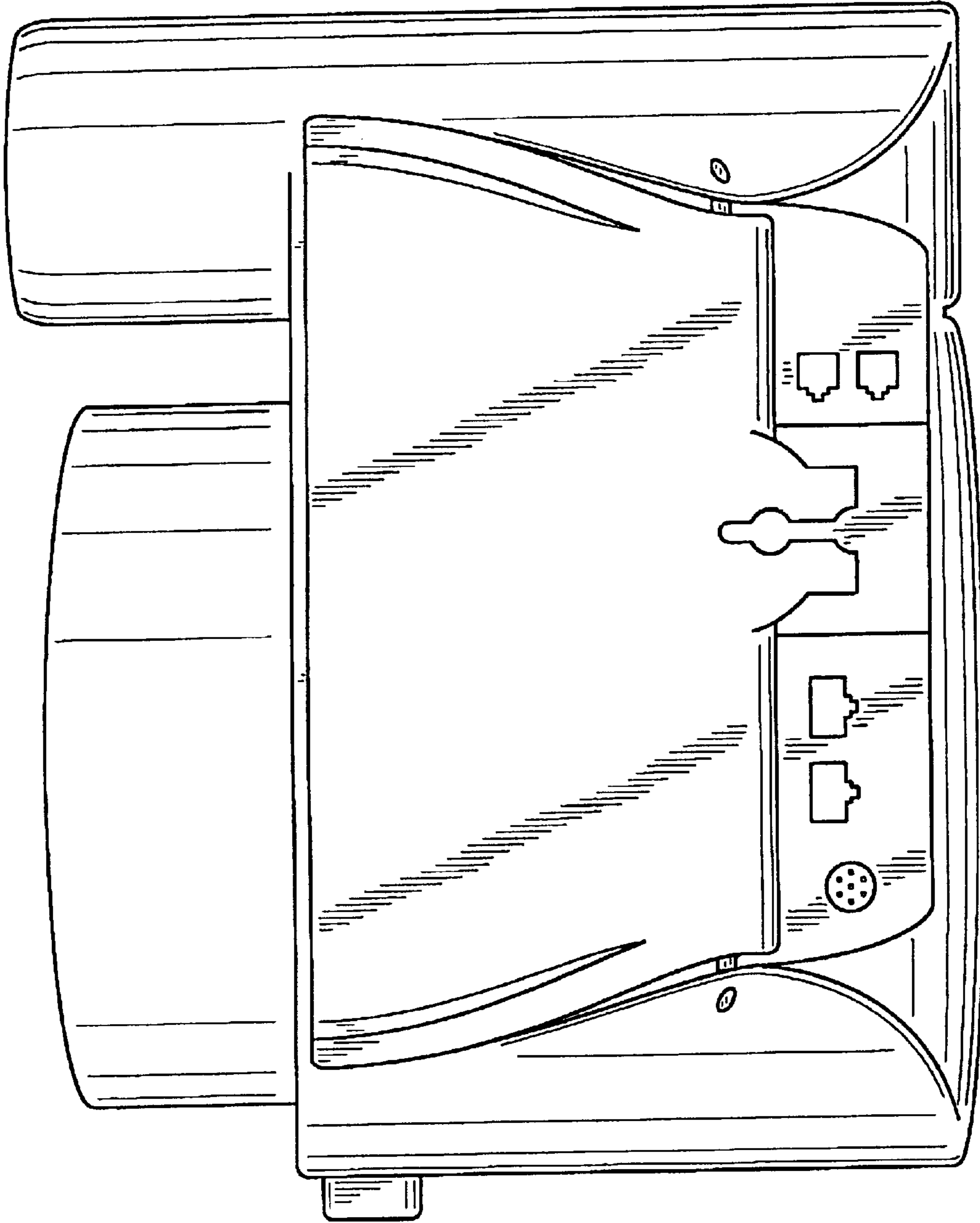
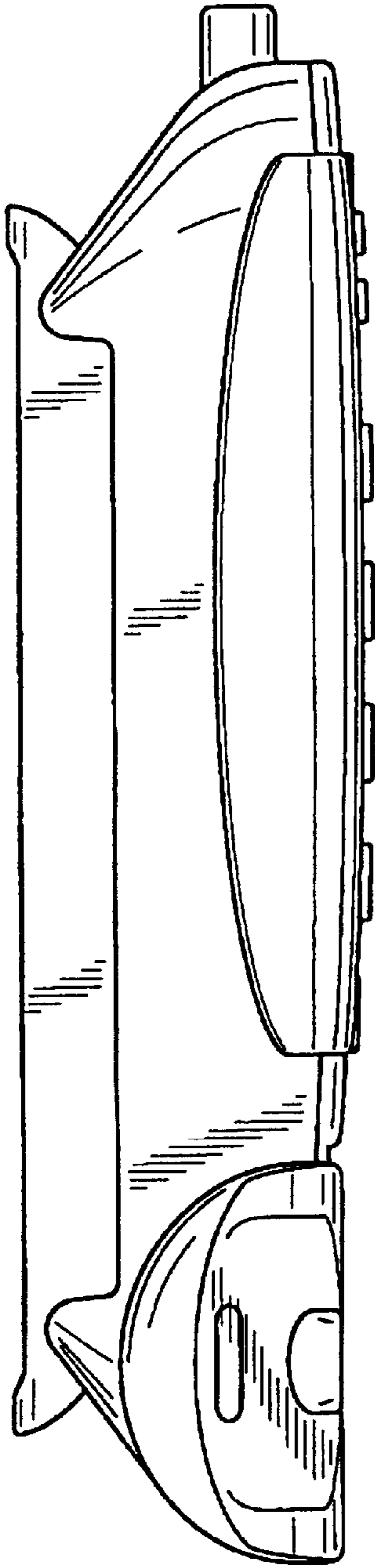
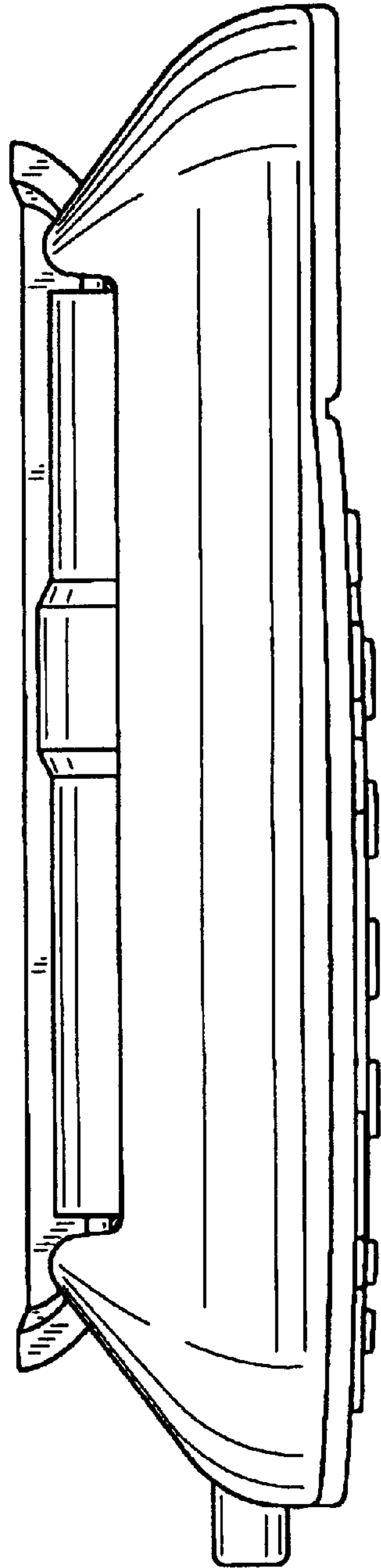


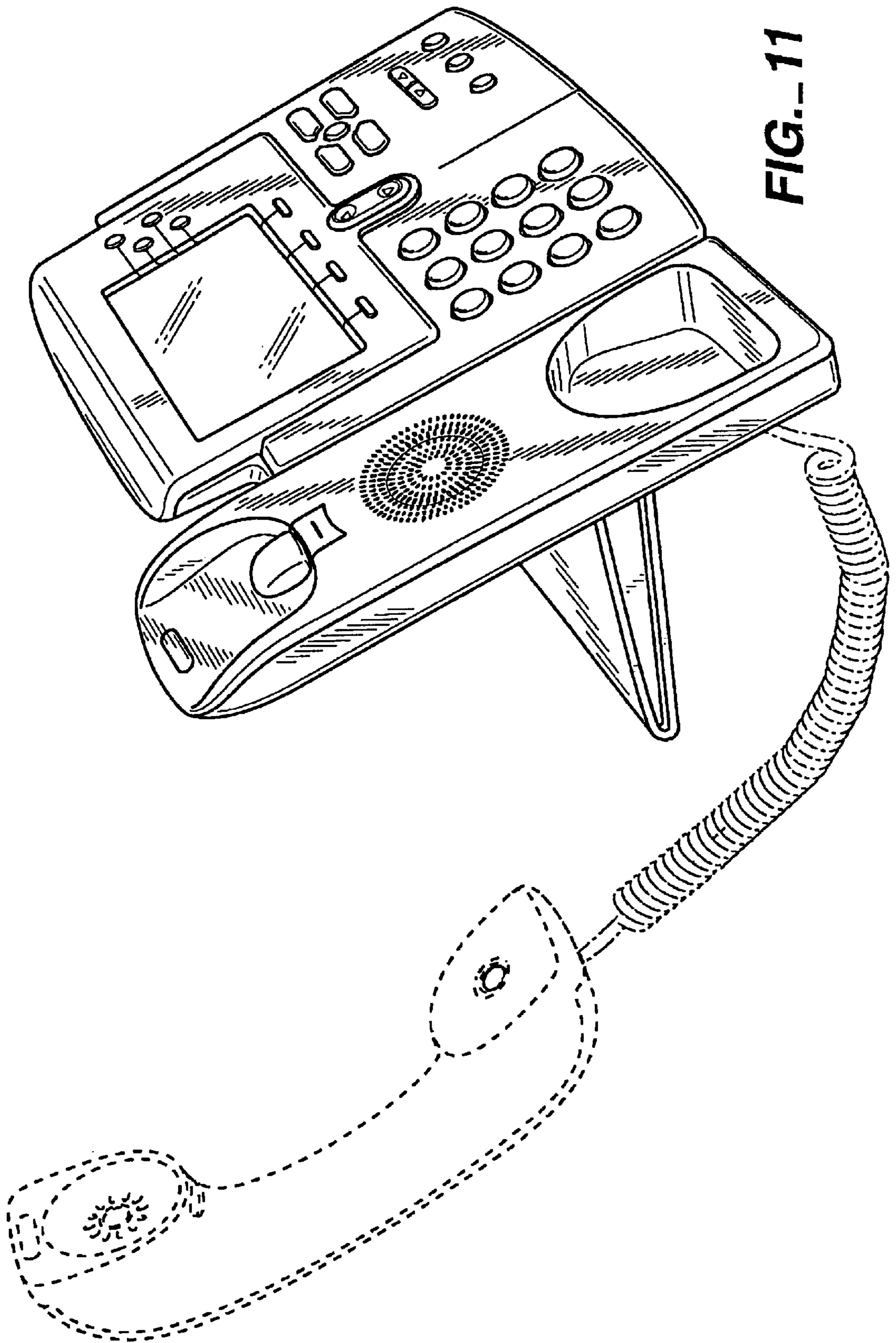
FIG. 8



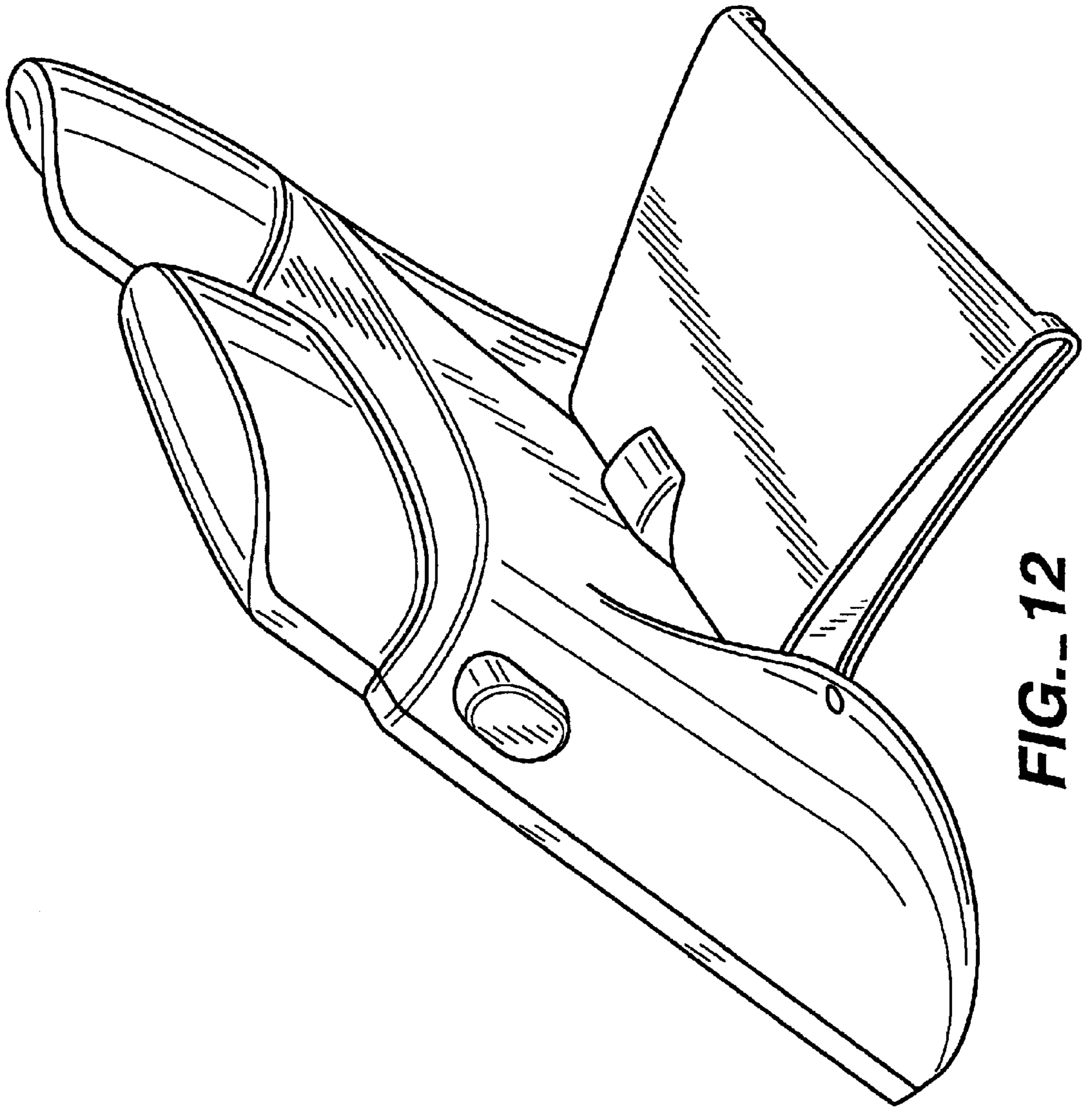
**FIG. 9**



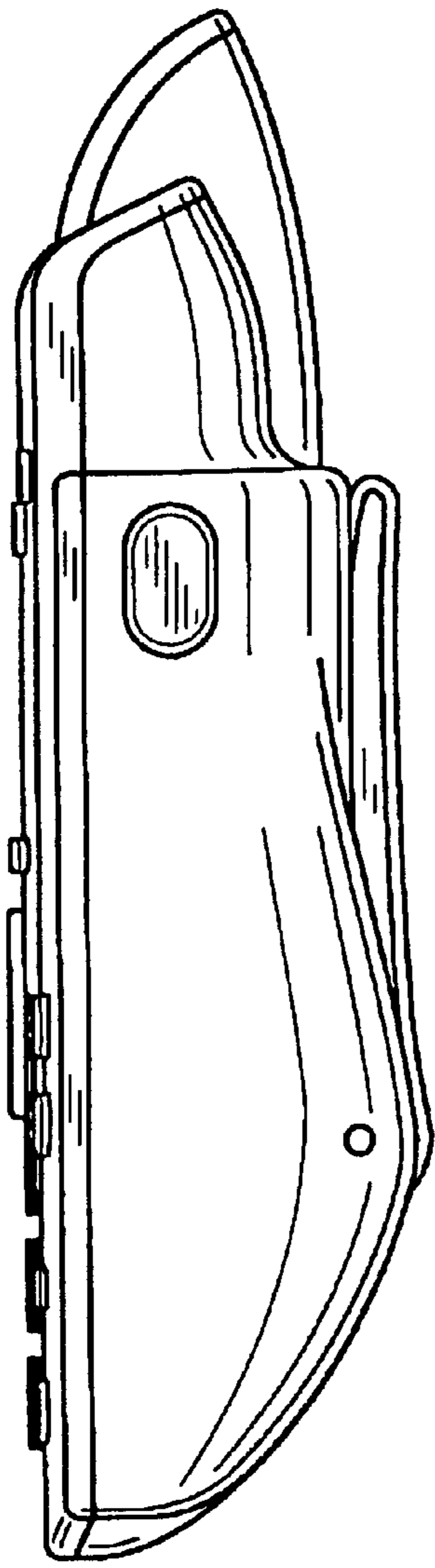
**FIG. 10**



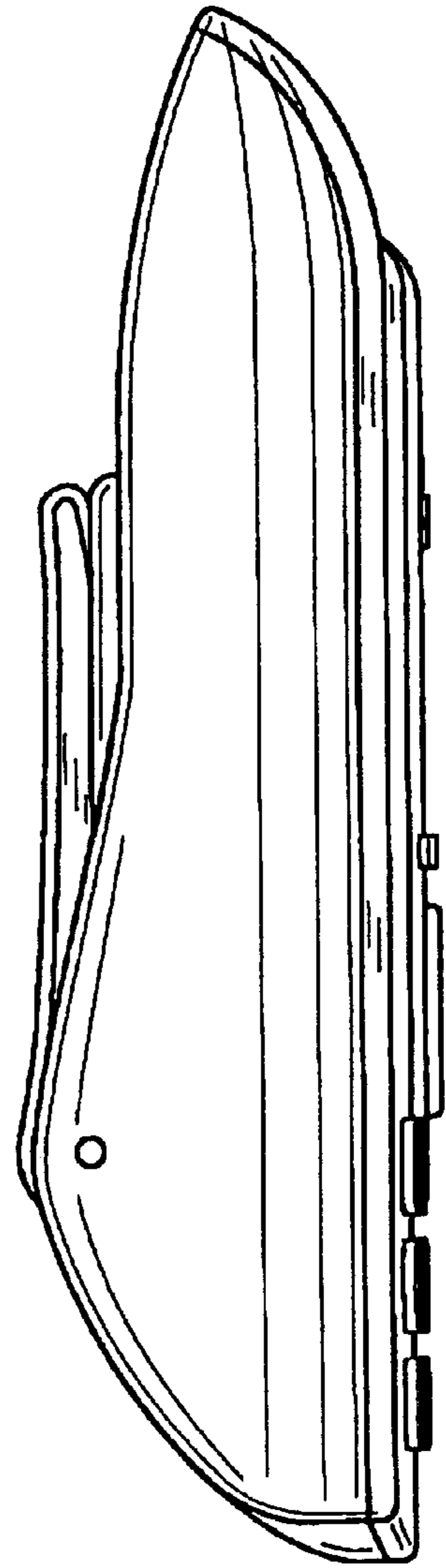
**FIG. 11**



**FIG. 12**

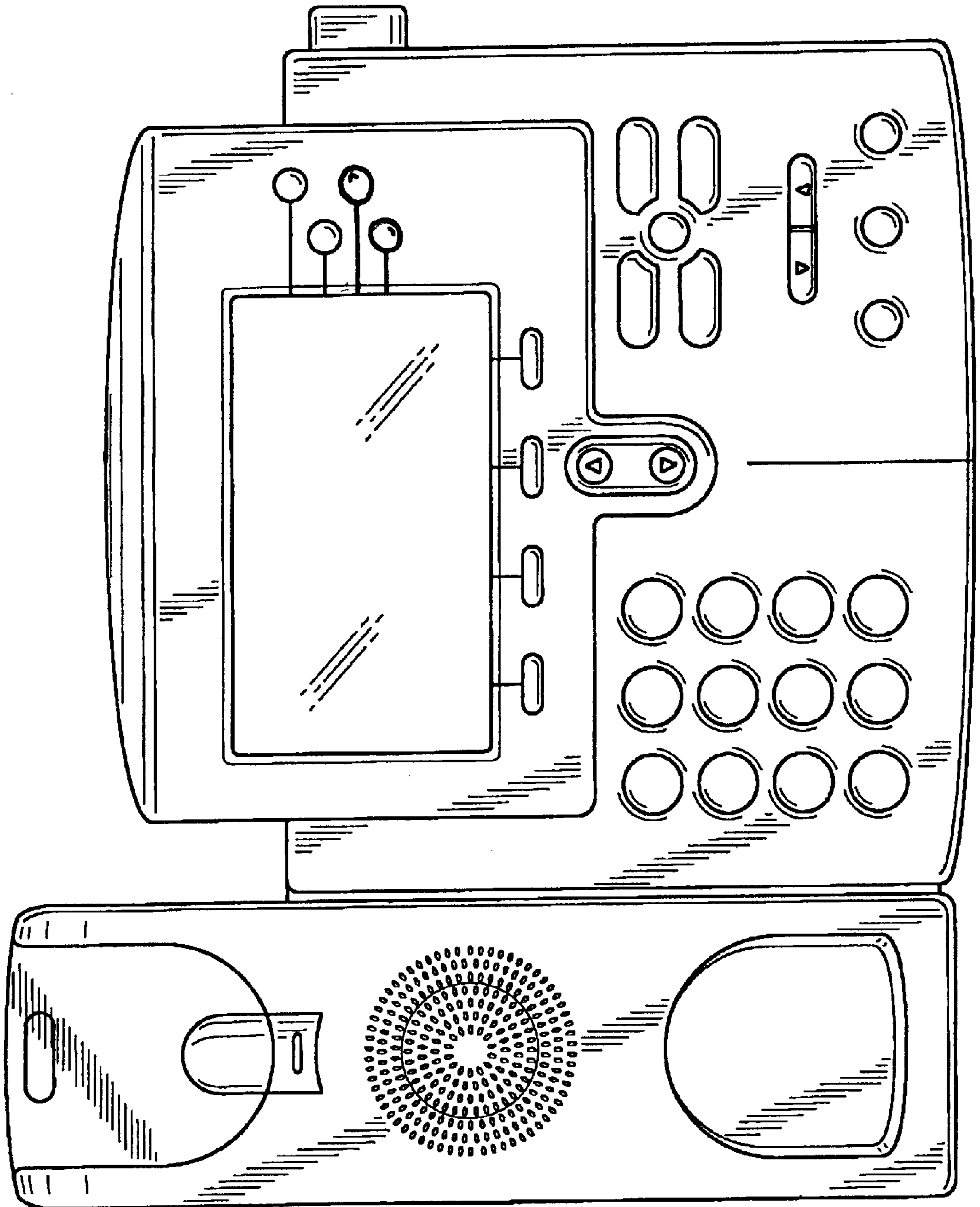


**FIG. 13**



**FIG. 14**

FIG. 15



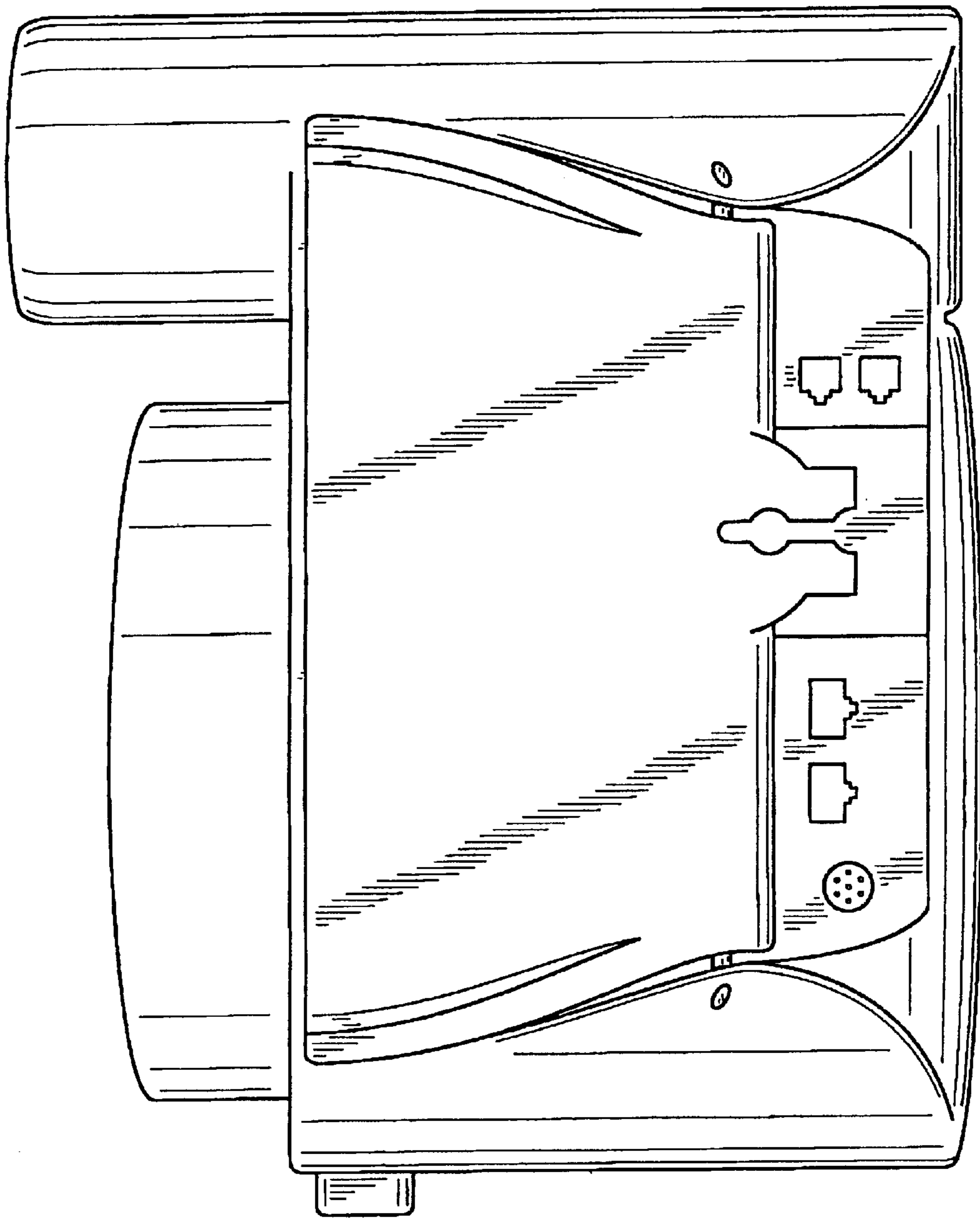


FIG.- 16

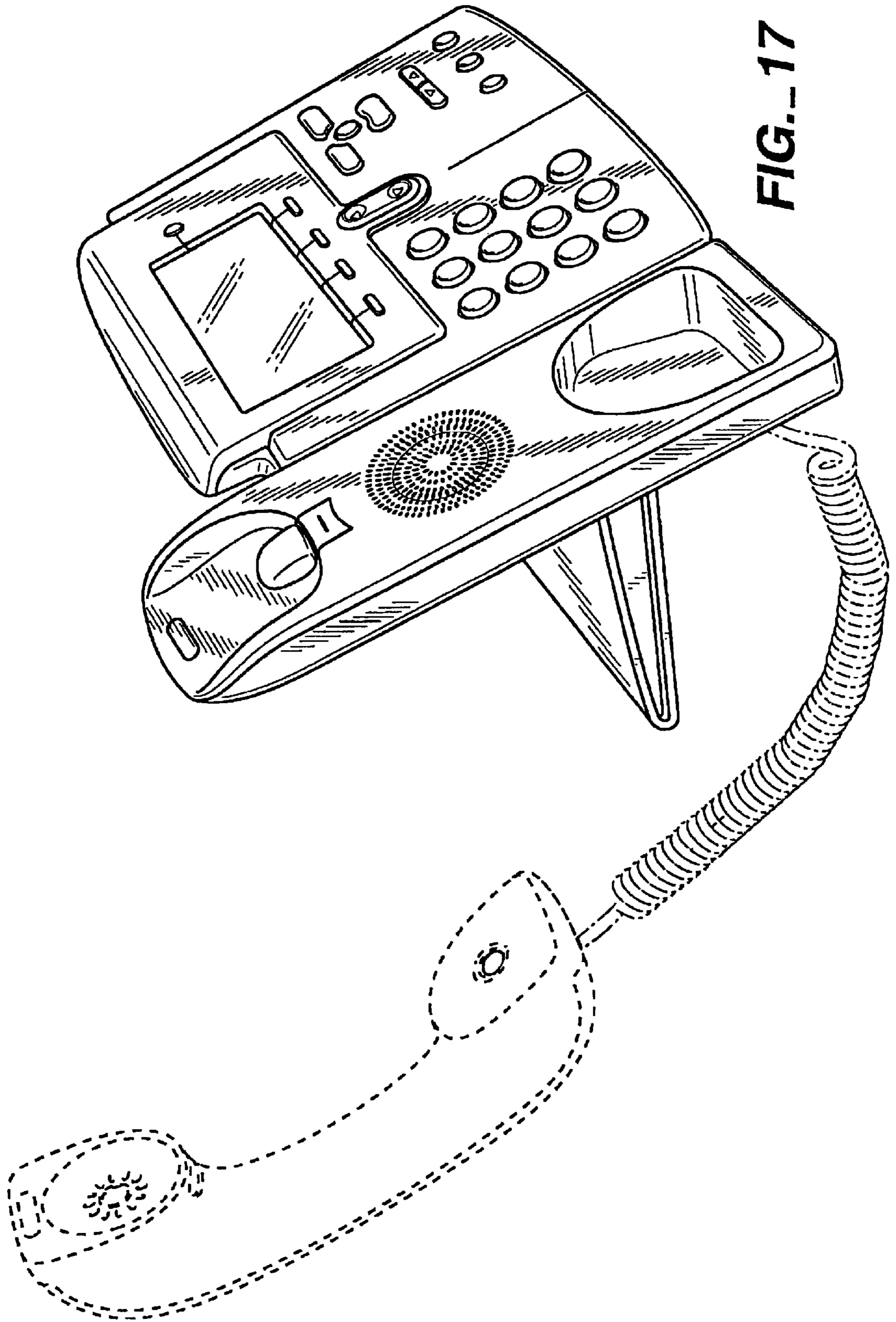
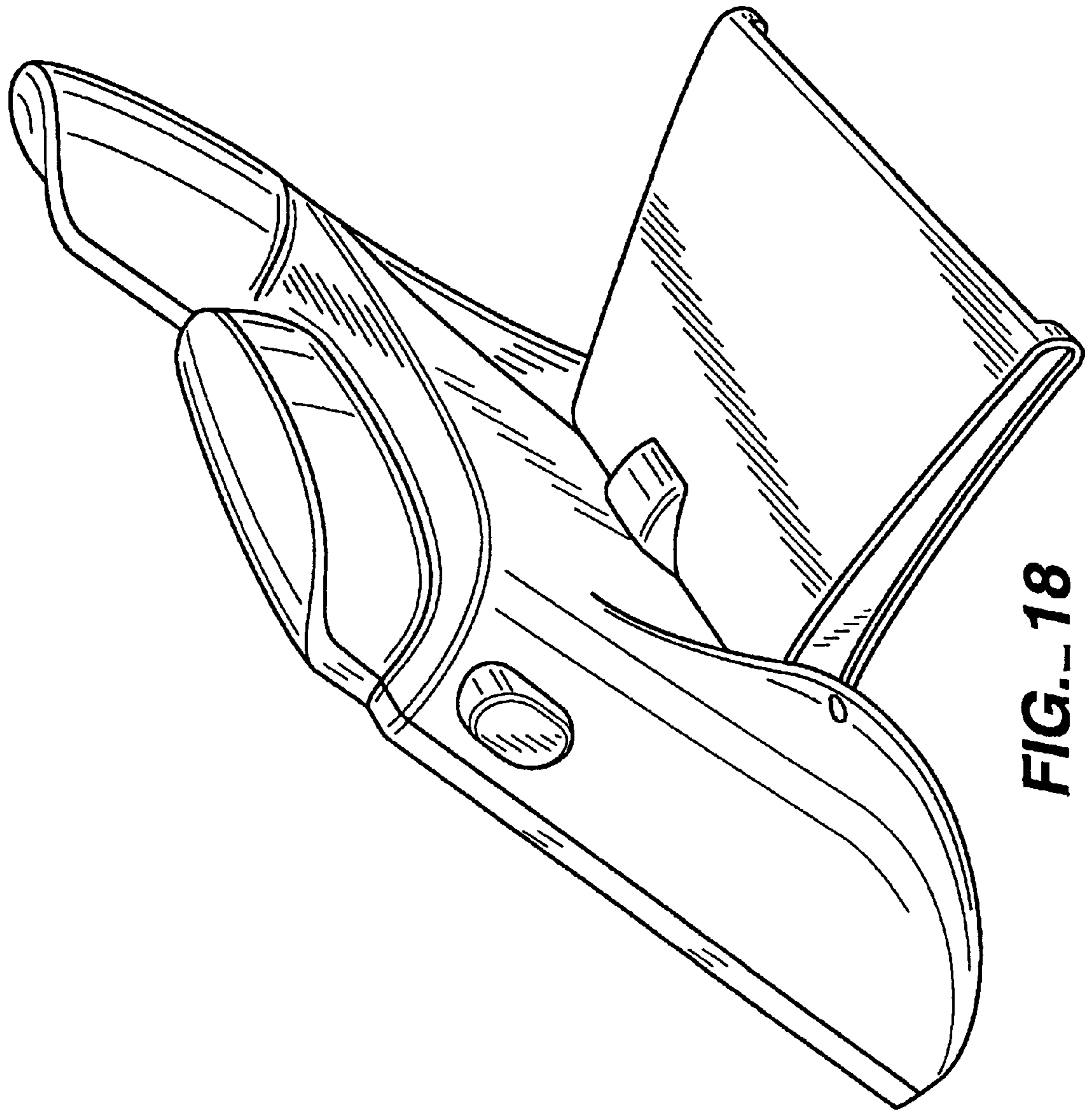
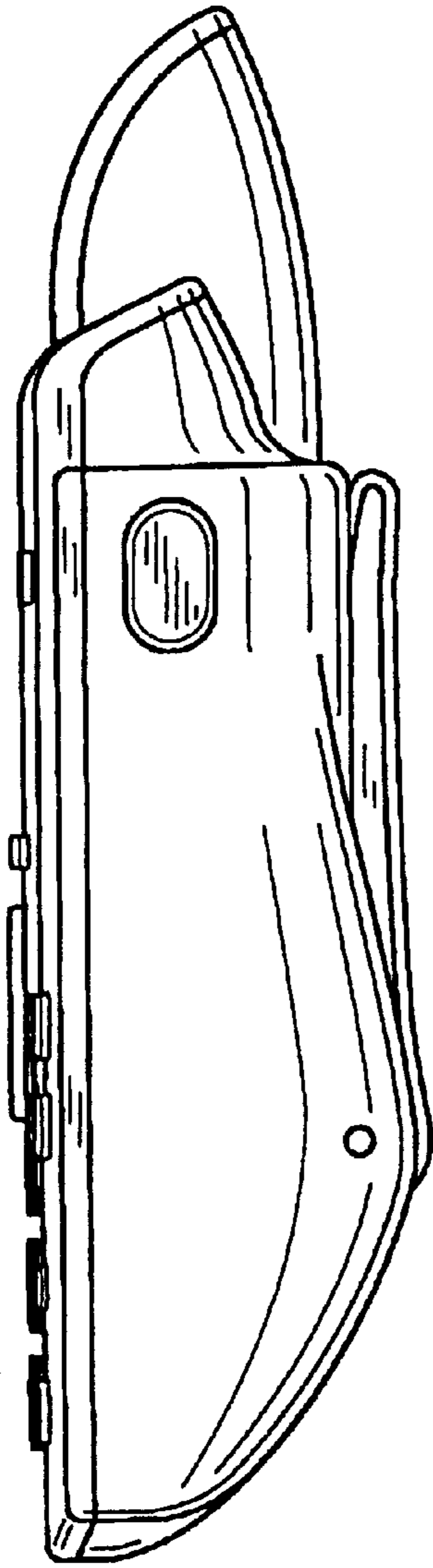


FIG. 17

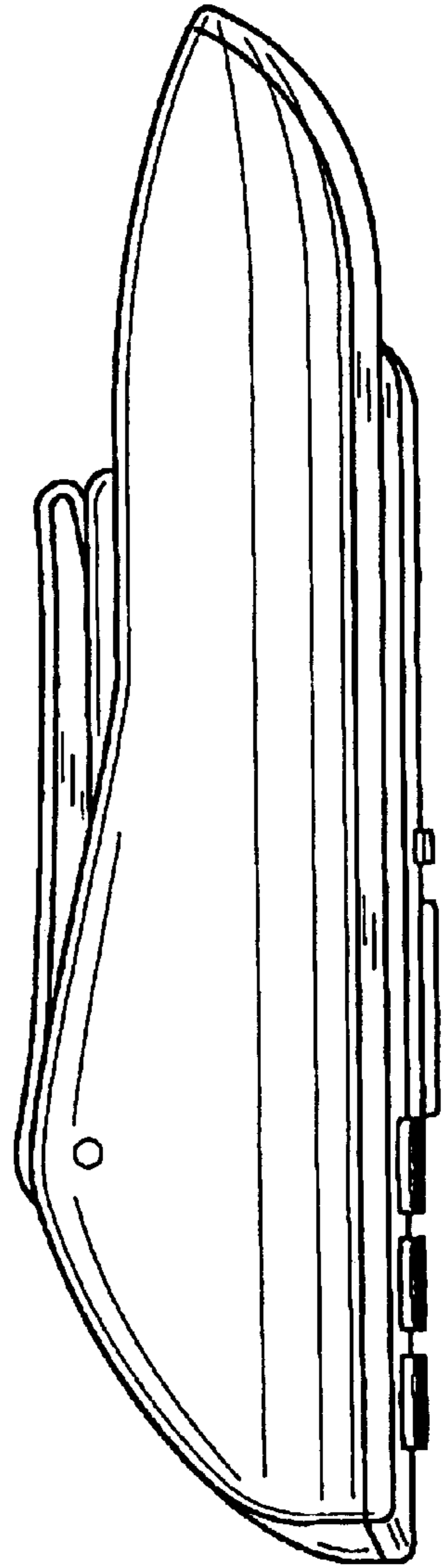




**FIG. 18**

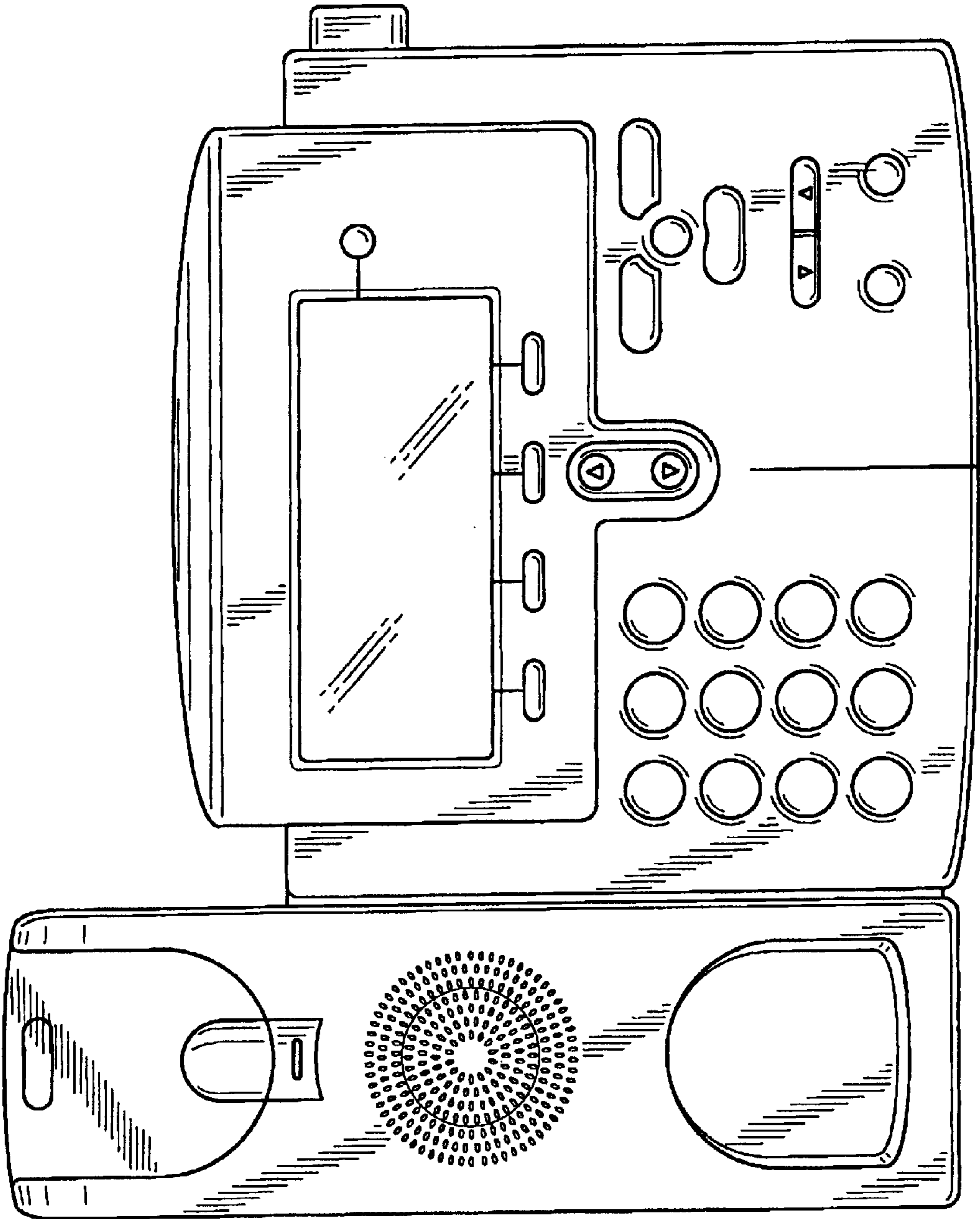


**FIG. 19**



**FIG. 20**

FIG. 21



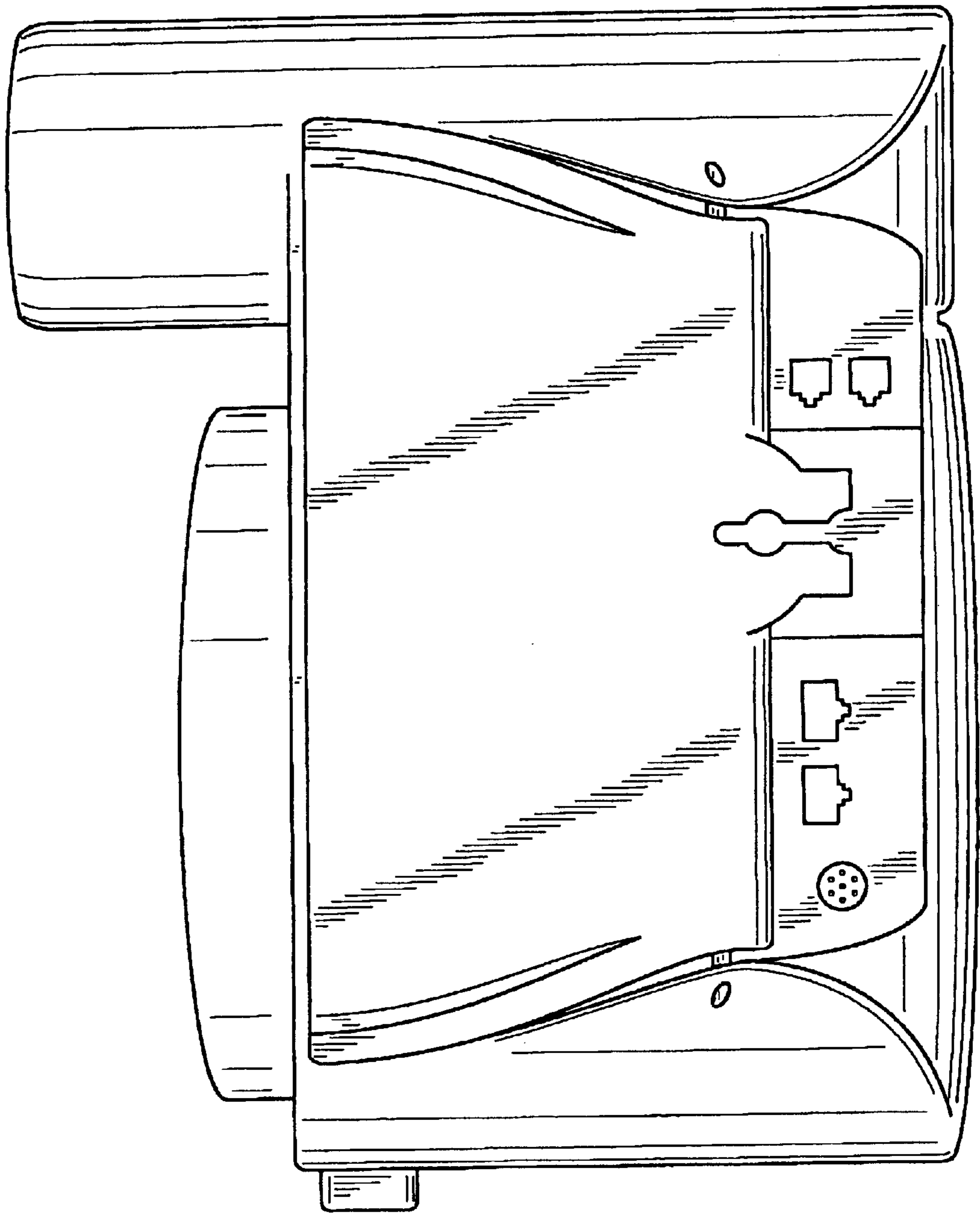


FIG. 22

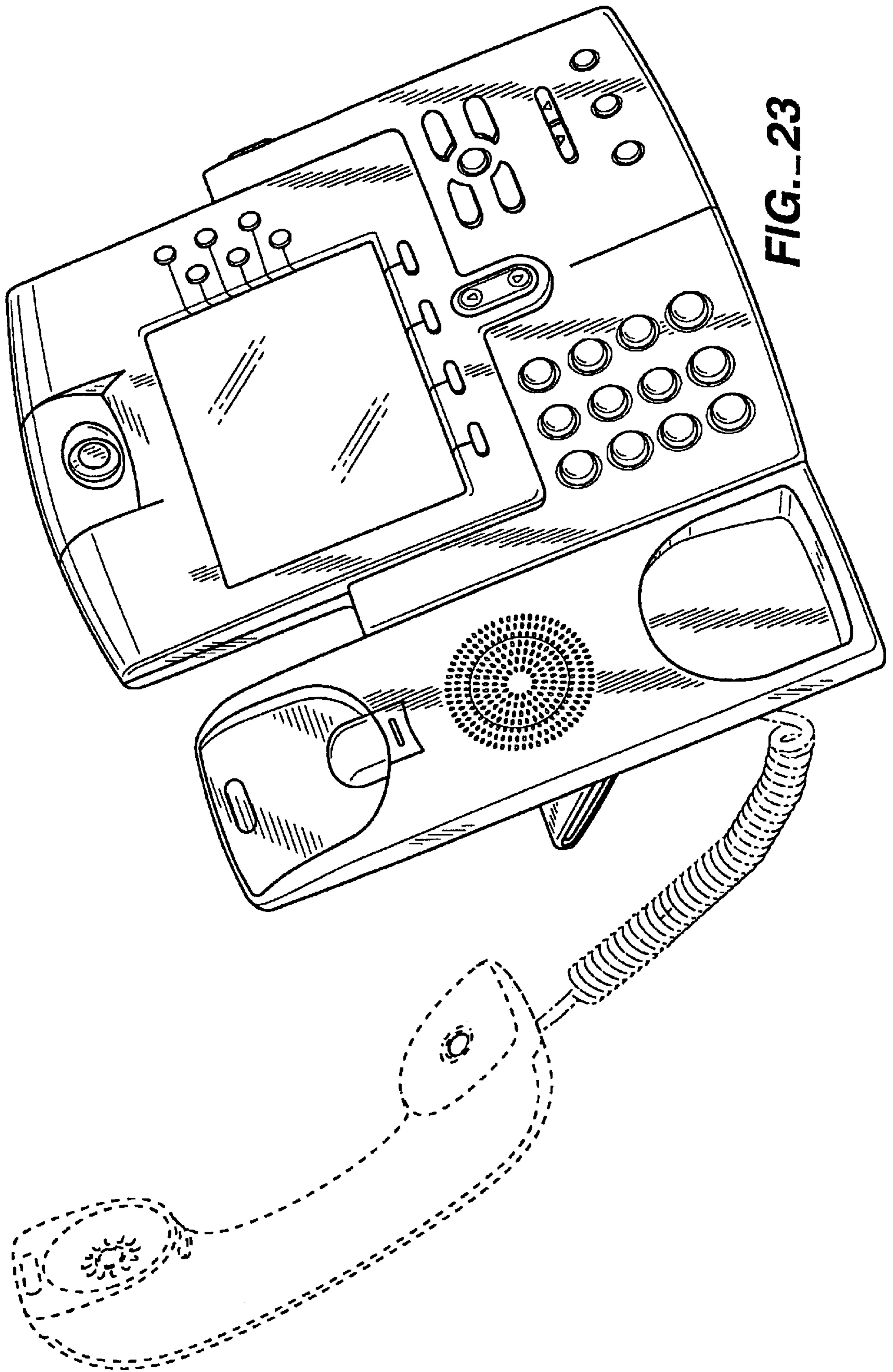
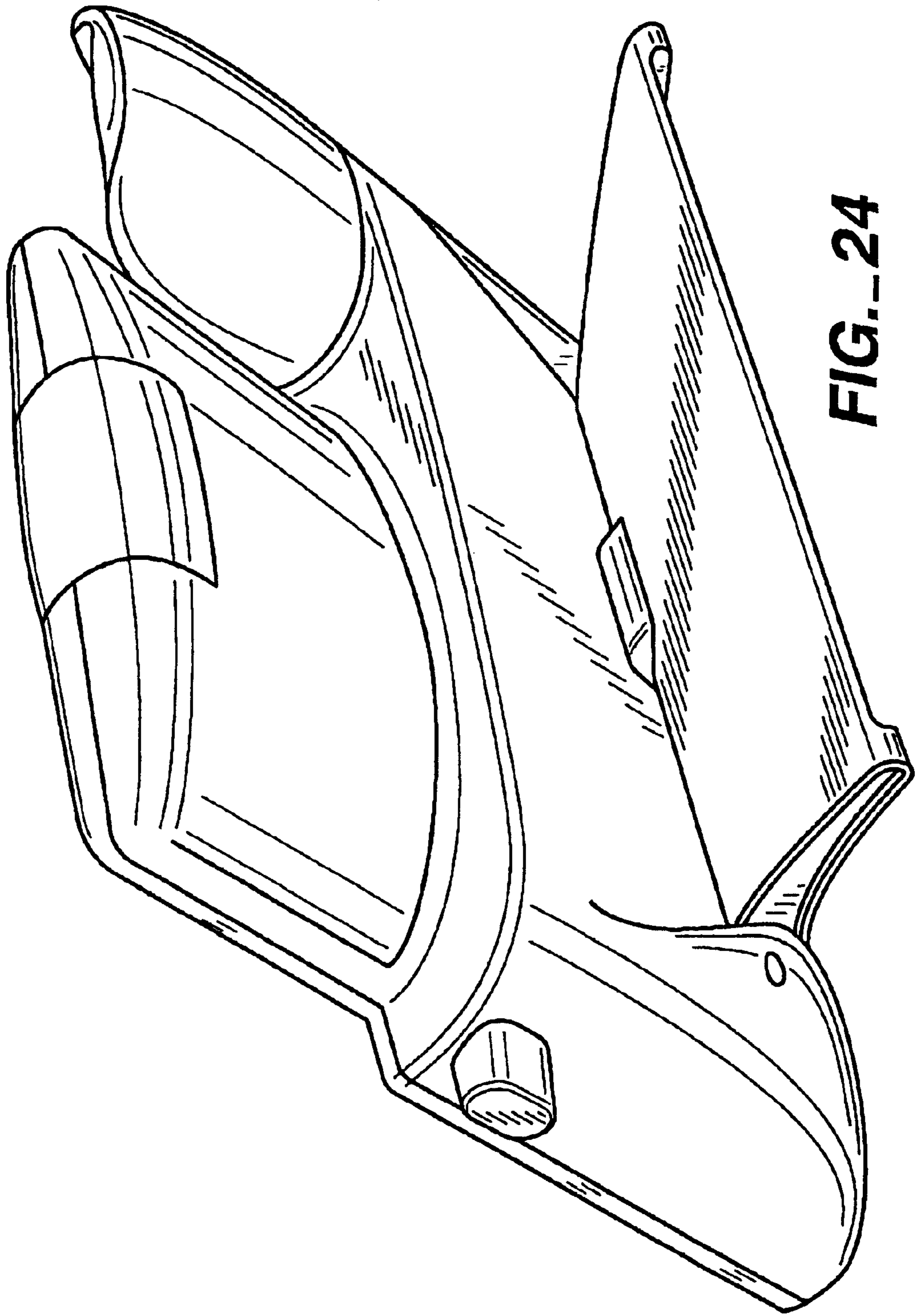
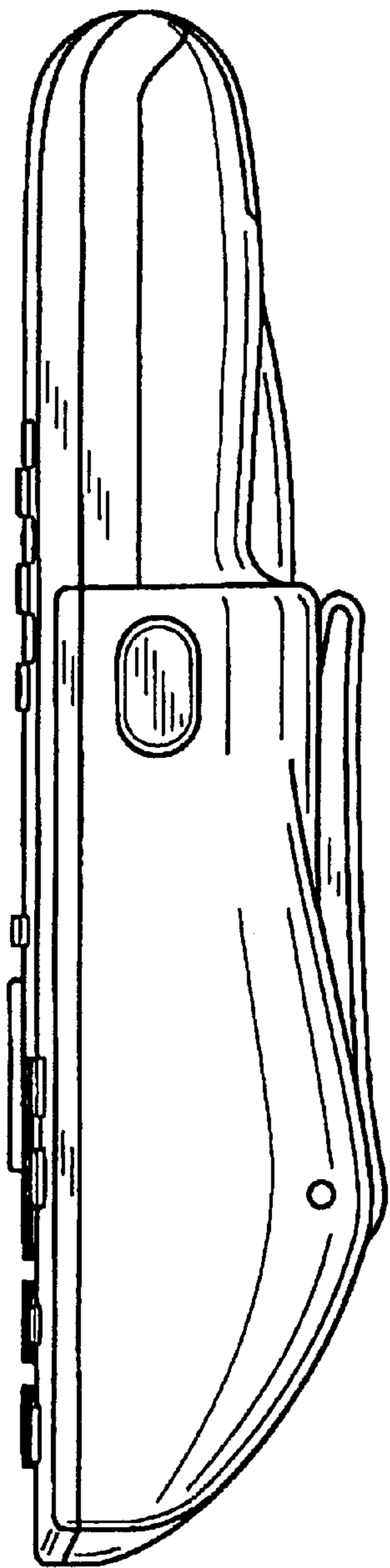


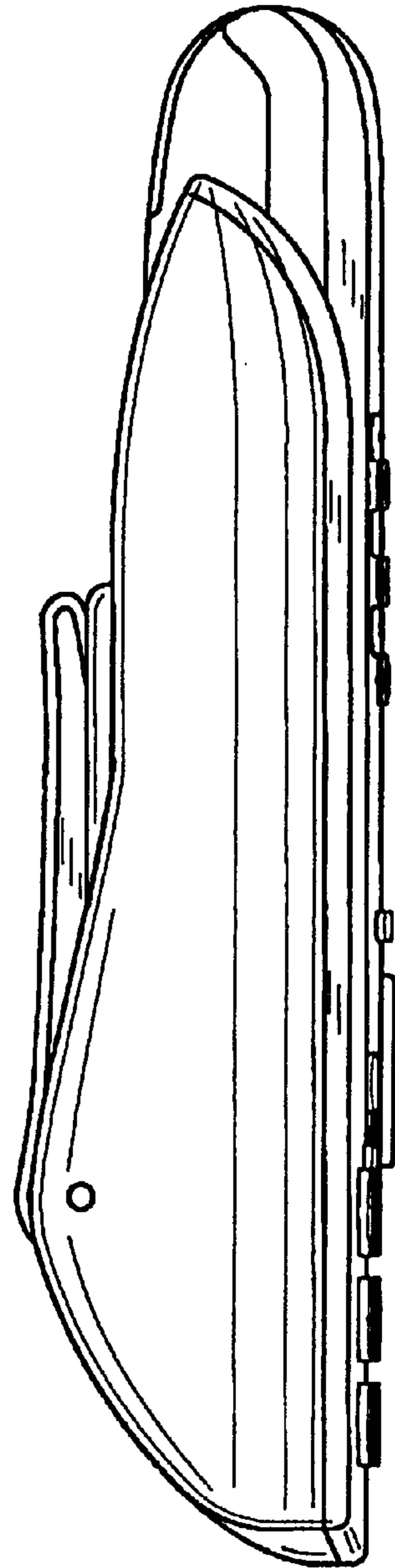
FIG. 23



**FIG. 24**

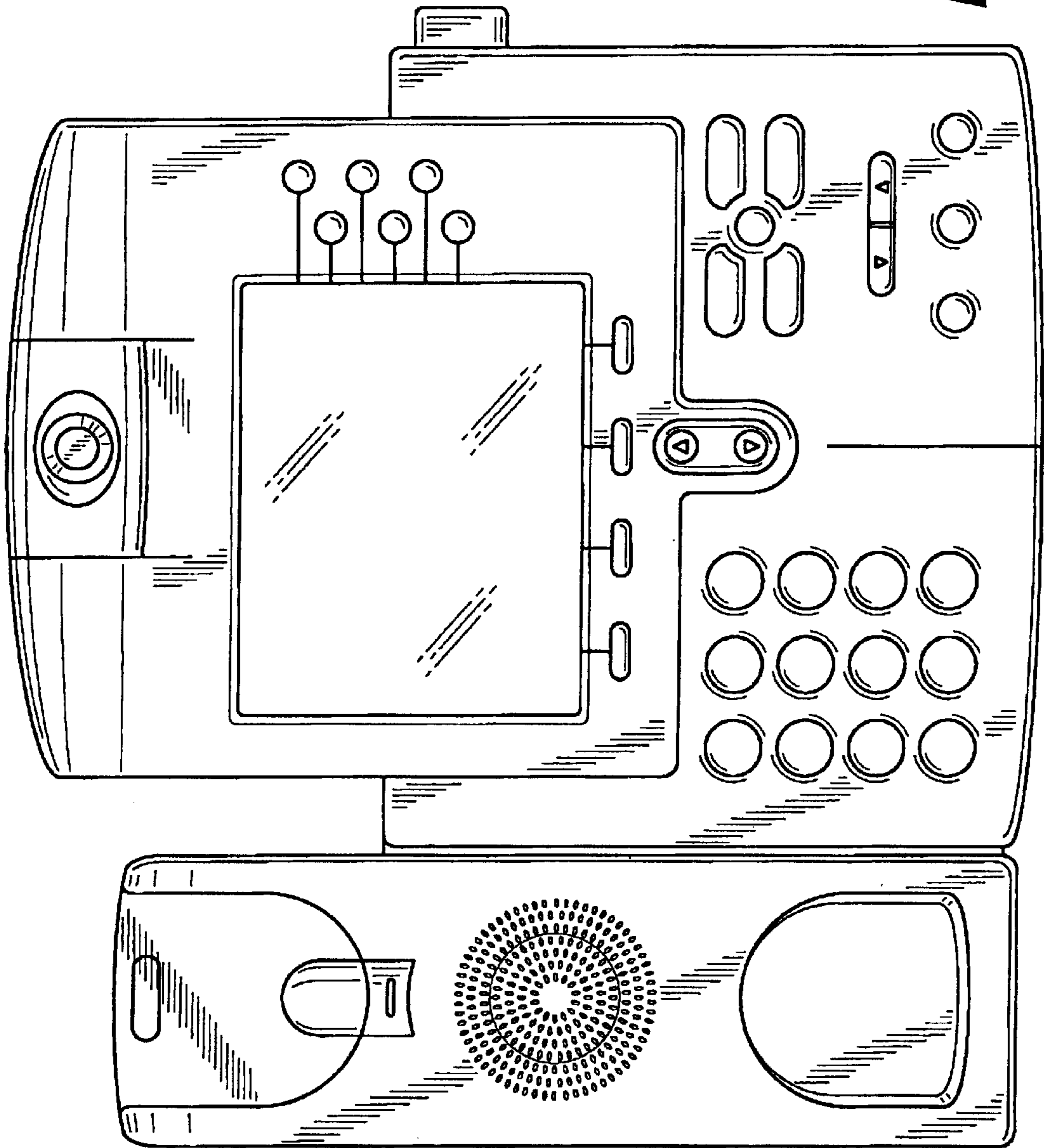


**FIG. 25**



**FIG. 26**

FIG. 27





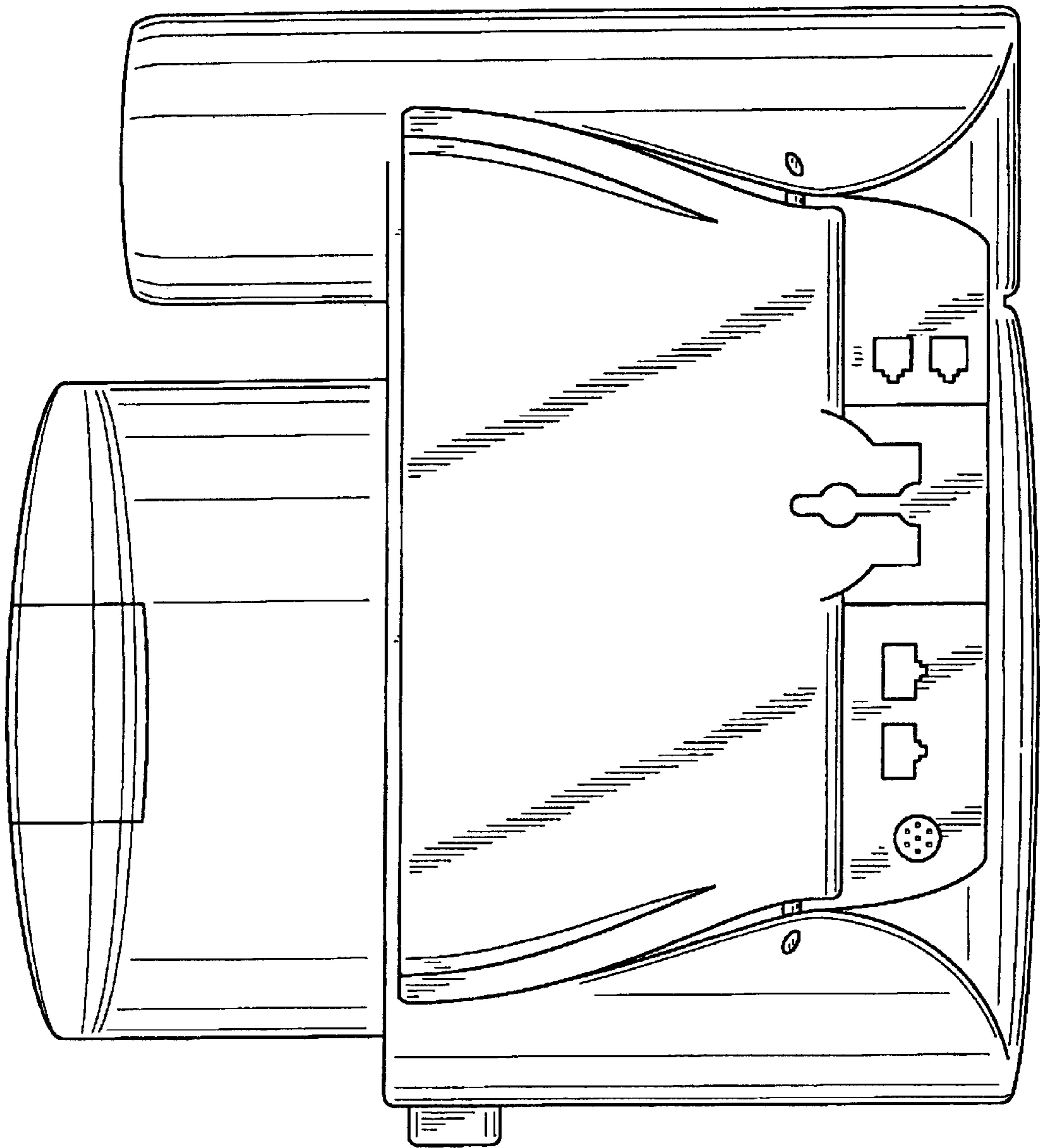
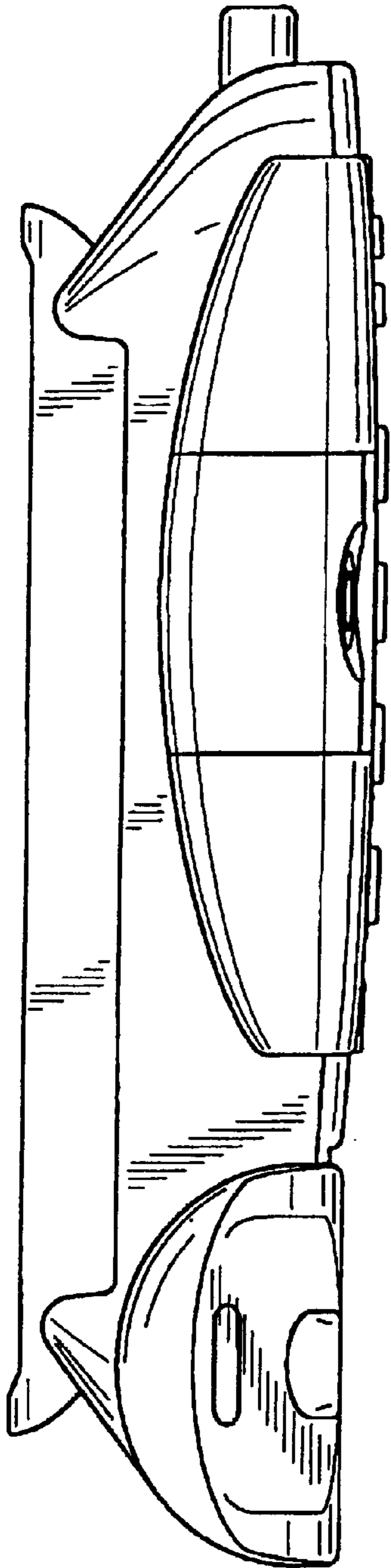
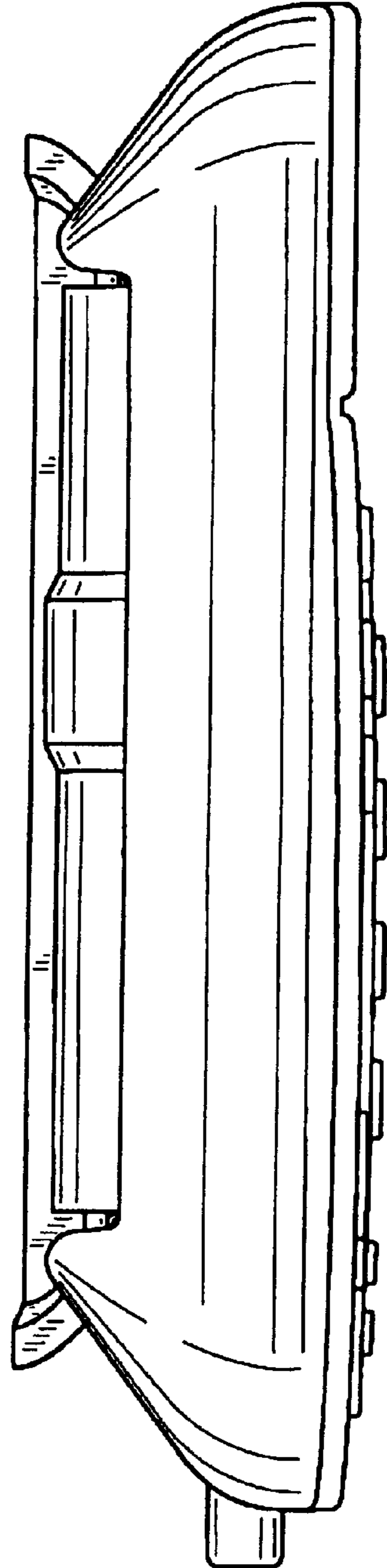


FIG.--28



**FIG. 29**



**FIG. 30**