



US00D427982S

United States Patent [19] Ishii

[11] **Patent Number: Des. 427,982**
[45] **Date of Patent: ** Jul. 11, 2000**

[54] TELEVISION MONITOR

[75] Inventor: **Daisuke Ishii**, Tokyo, Japan
[73] Assignee: **Sony Corporation**, Tokyo, Japan
[**] Term: **14 Years**
[21] Appl. No.: **29/080,664**
[22] Filed: **Sep. 25, 1997**

Related U.S. Application Data

[63] Continuation-in-part of application No. 29/072,218, May 22, 1997, which is a continuation-in-part of application No. 29/057,190, Jul. 18, 1996, abandoned.

[30] Foreign Application Priority Data

Jan. 24, 1996 [JP] Japan 8-1228

[51] **LOC (7) Cl.** **02-03**
[52] **U.S. Cl.** **D14/124**
[58] **Field of Search** D14/124, 114,
D14/100; D21/324; D29/103-112; D26/38,
39; 273/148 B; 463/1, 29-35, 46, 47; 345/7,
8, 9, 905; 348/53, 115, 121, 838; 359/407,
431, 443, 480, 630; 351/158

[56] References Cited

U.S. PATENT DOCUMENTS

D. 282,020 1/1986 Gwon et al. D14/192 X
D. 352,046 11/1994 Kataoka D16/309
D. 363,482 10/1995 Robinson et al. D14/124
D. 370,909 6/1996 Oikawa et al. D14/124
D. 375,495 11/1996 Maclness et al. D14/124
D. 383,455 9/1997 Maclness et al. D14/124
4,971,429 11/1990 Ishido et al. 359/409
5,757,339 5/1998 Williams et al. 345/8
5,774,096 6/1998 Usuki et al. 345/8
5,781,165 7/1998 Tabata 345/8
5,844,530 12/1998 Tosaki 345/7 X

OTHER PUBLICATIONS

Sears Toys Cat, p. 662, 1980.
HongKong Enterprise, p. 277, Oct. 1994.
Hammacher Schlemmer Holiday Catalog, p. 18, Binoculars (Oct. 18, 1990).
Catalog "Color Television Monitor/Hi-Vision", "PLM-50", p. 18, Sony (Nov. 1996).
Catalog "PLM-100," p. 18, Sony (Jul. 1997).

Primary Examiner—Prabhakah Deshmukh
Attorney, Agent, or Firm—Foley & Lardner

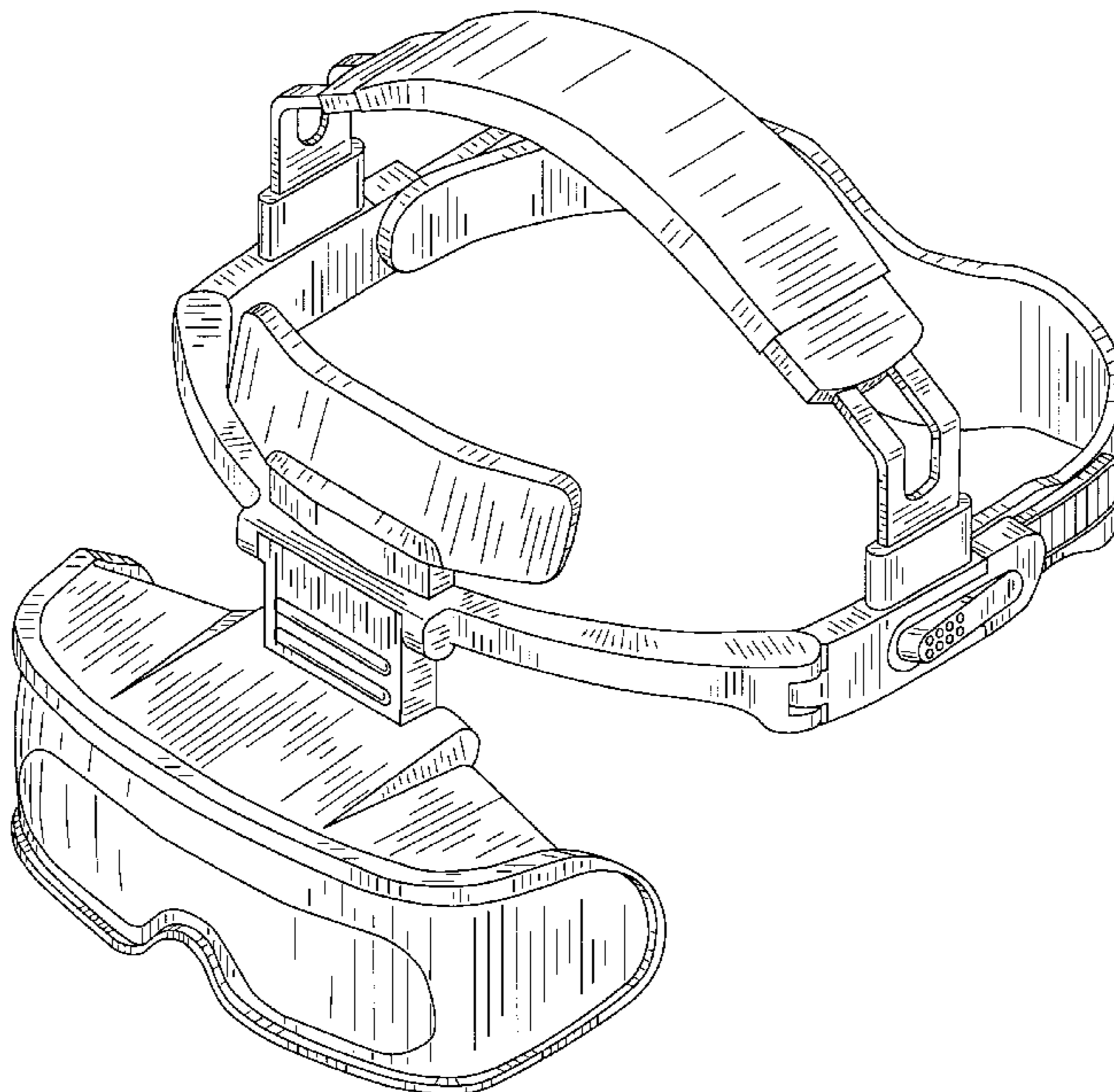
[57] CLAIM

The ornamental design for a television monitor, as shown and described.

DESCRIPTION

FIG. 1 is a perspective view of a television monitor showing my new design;
FIG. 2 is a top plan view thereof;
FIG. 3 is a left side elevational view thereof;
FIG. 4 is a front elevational view thereof;
FIG. 5 is a bottom plan view thereof;
FIG. 6 is a right side elevational view thereof; and,
FIG. 7 is a rear elevational view thereof.
FIG. 8 is a perspective view of a second embodiment of a television monitor;
FIG. 9 is a top plan view thereof;
FIG. 10 is a left side elevational view thereof;
FIG. 11 is a front elevational view thereof;
FIG. 12 is a bottom plan view thereof;
FIG. 13 is a right side elevational view thereof; and,
FIG. 14 is a rear elevational view thereof; and,
FIG. 15 is a perspective view thereof; similar to FIG. 8 shown in its environmental use; the broken line showing of the human figure is for illustrative purpose only and forms no part of the claimed design.

1 Claim, 9 Drawing Sheets



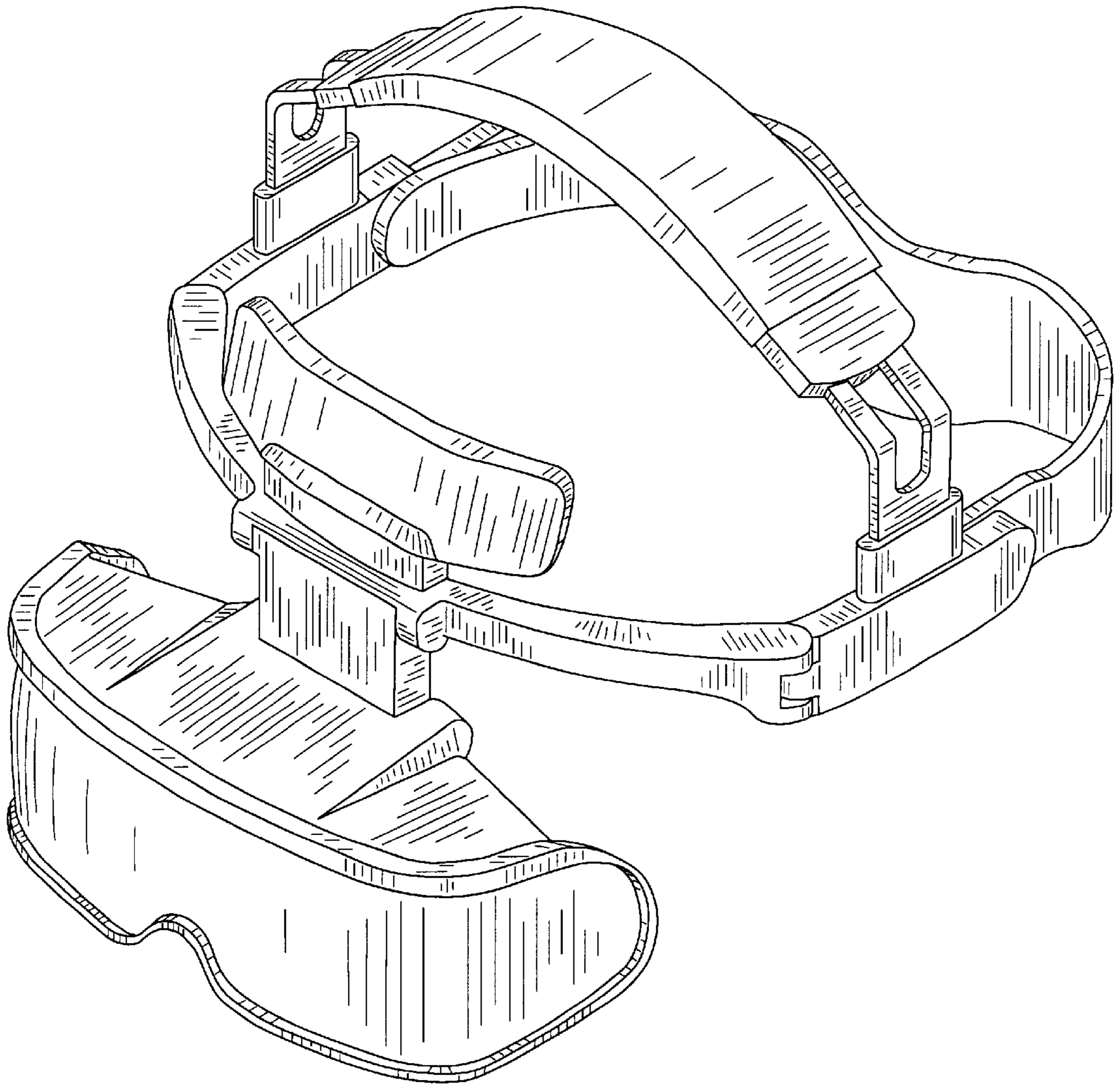


FIG. 1

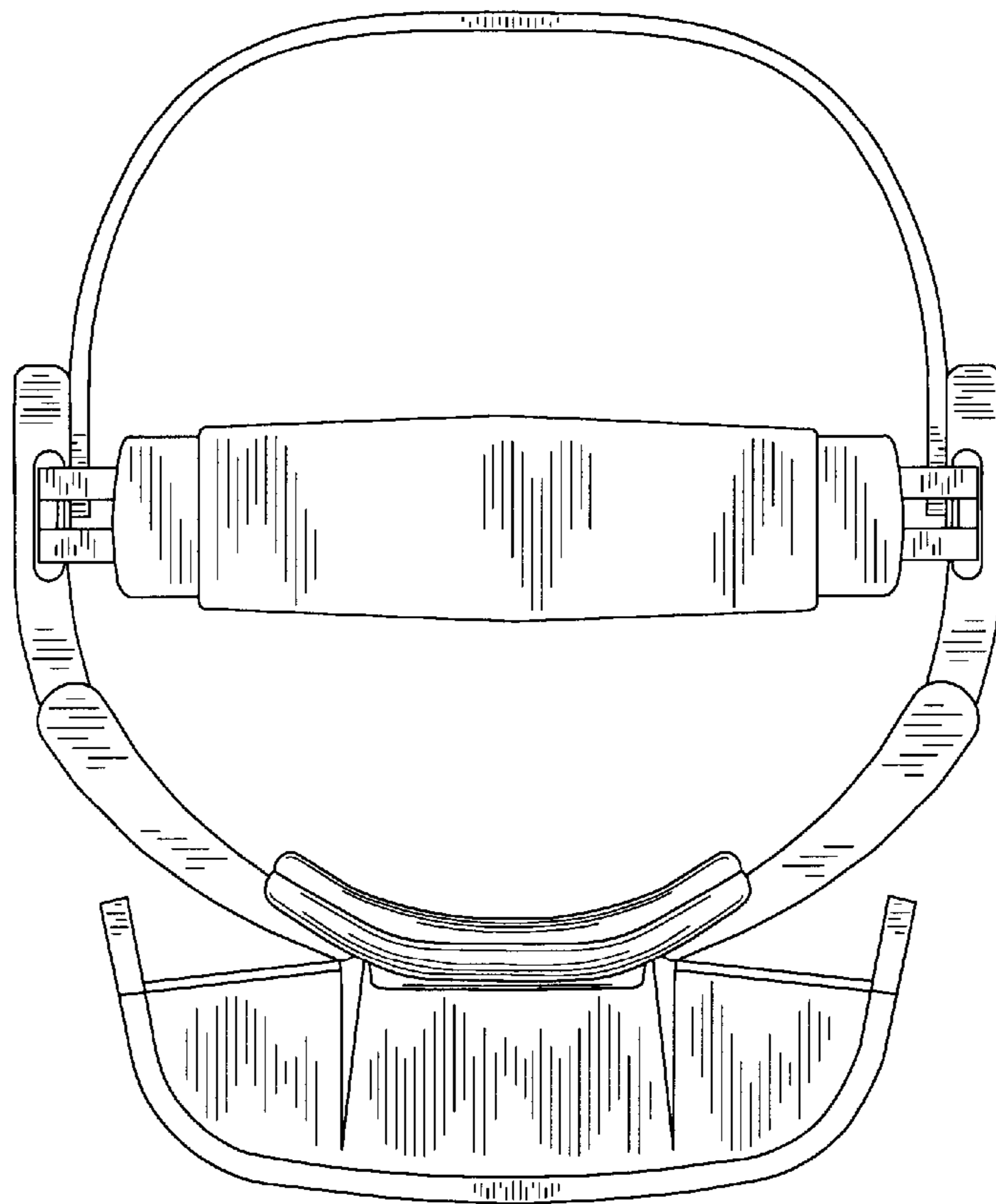


FIG. 2

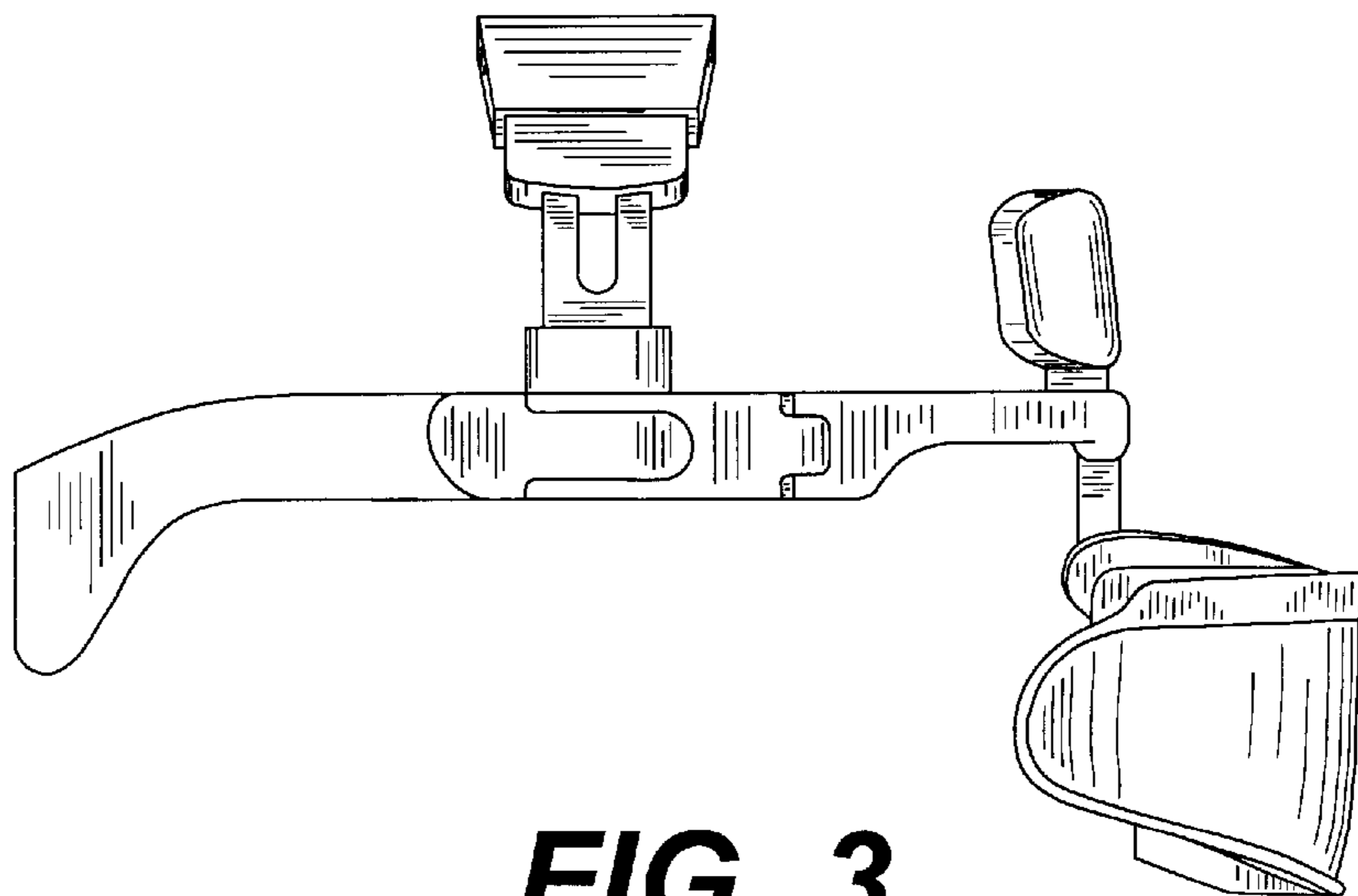


FIG. 3

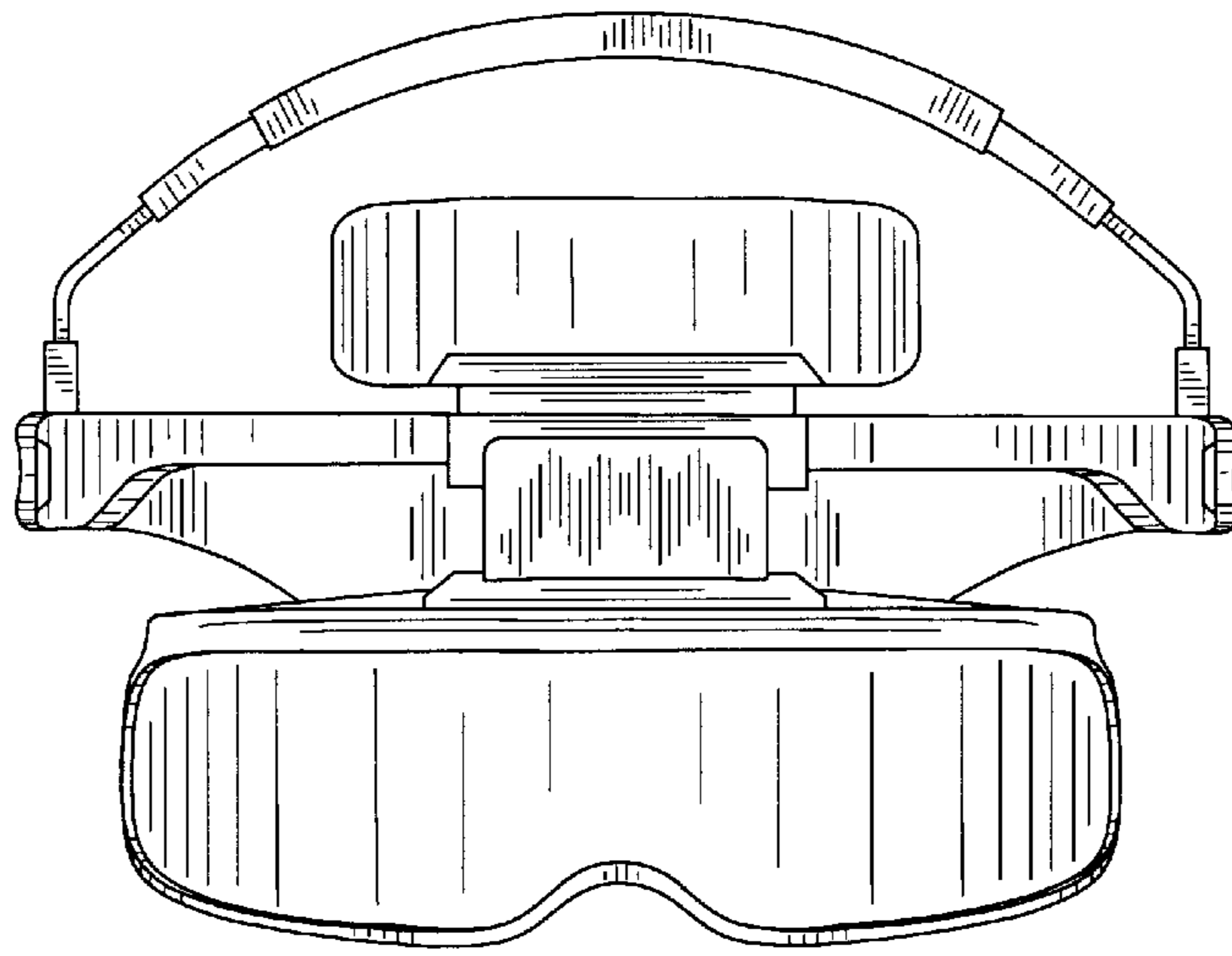


FIG. 4

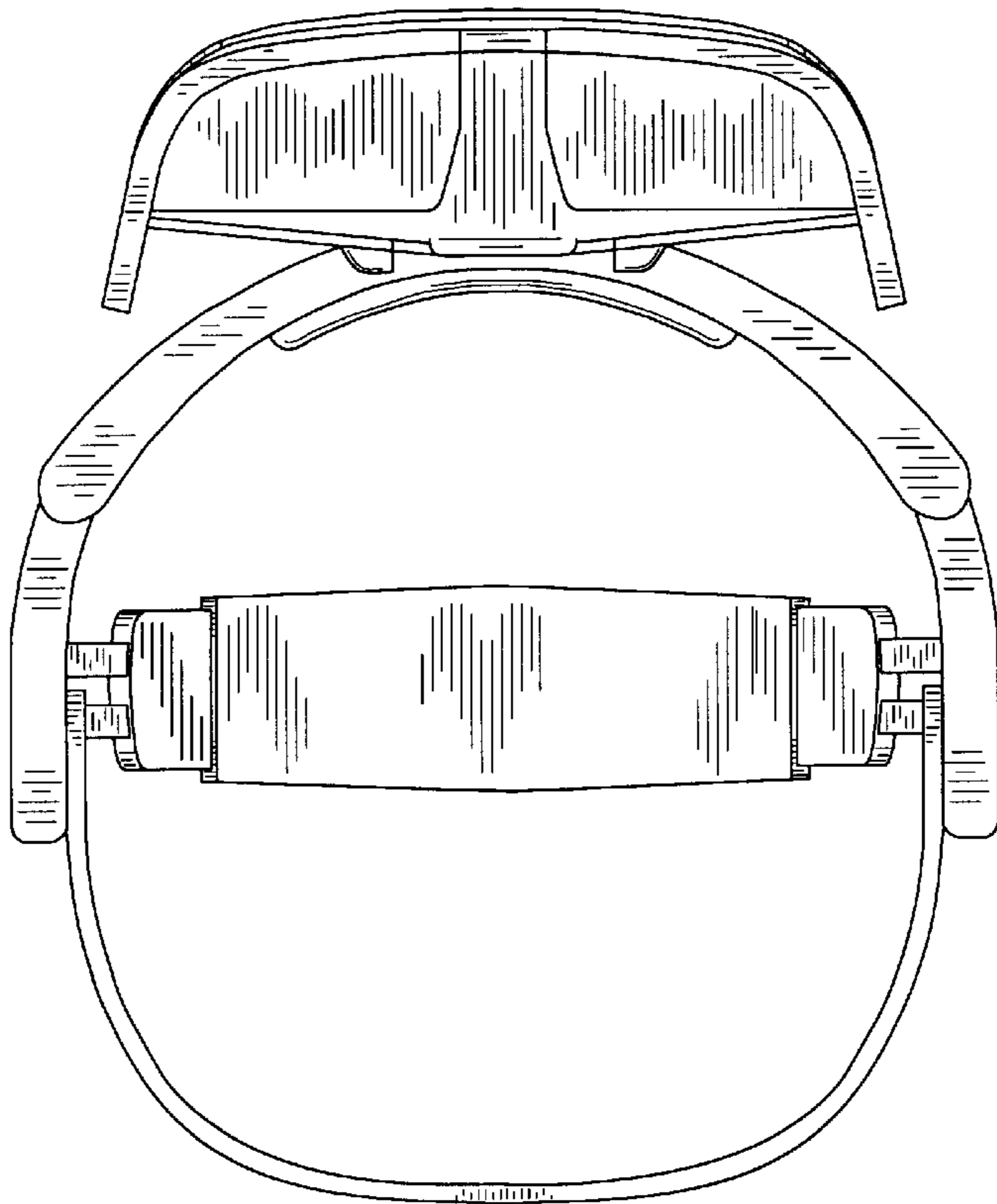


FIG. 5

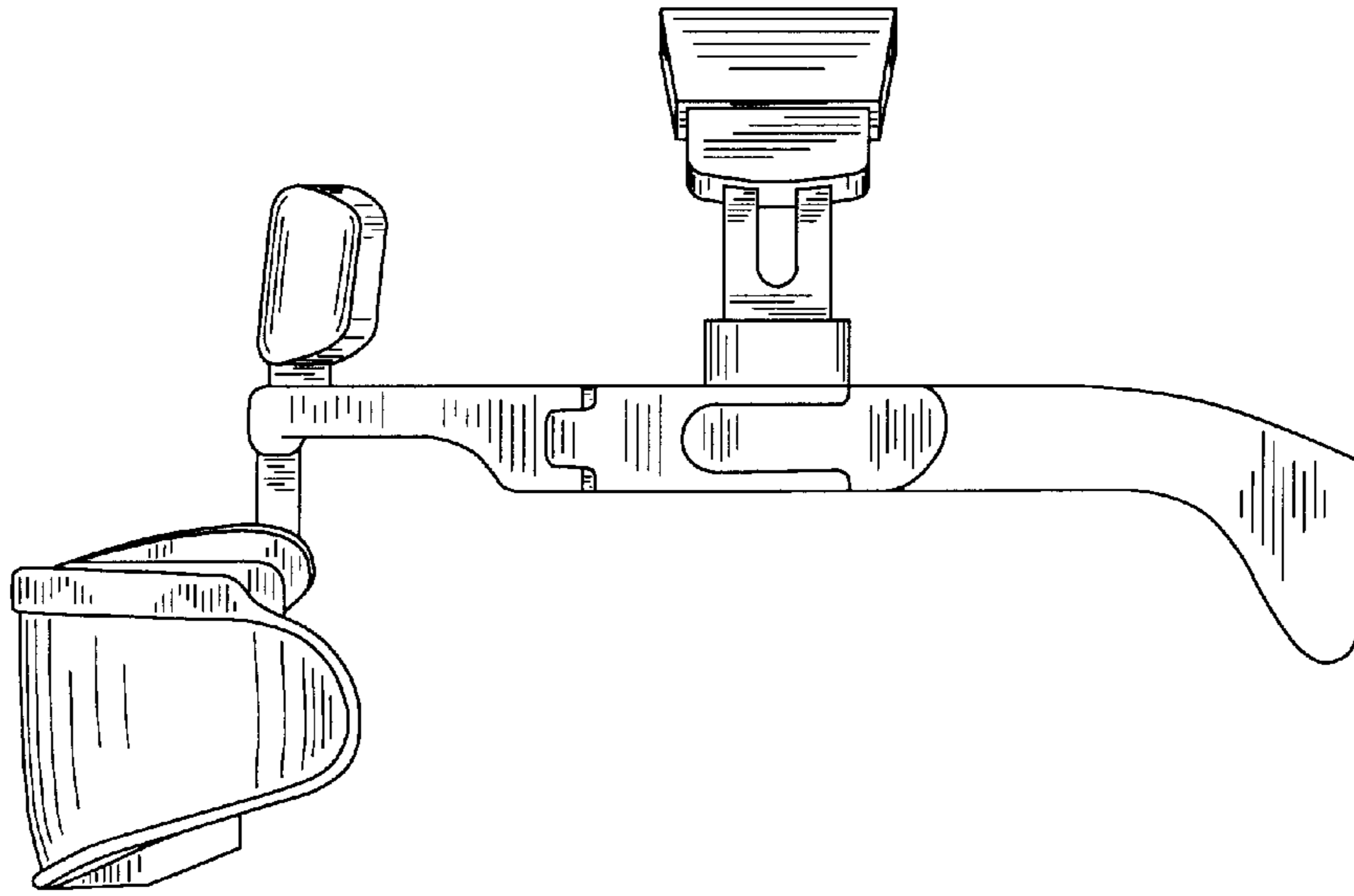


FIG. 6

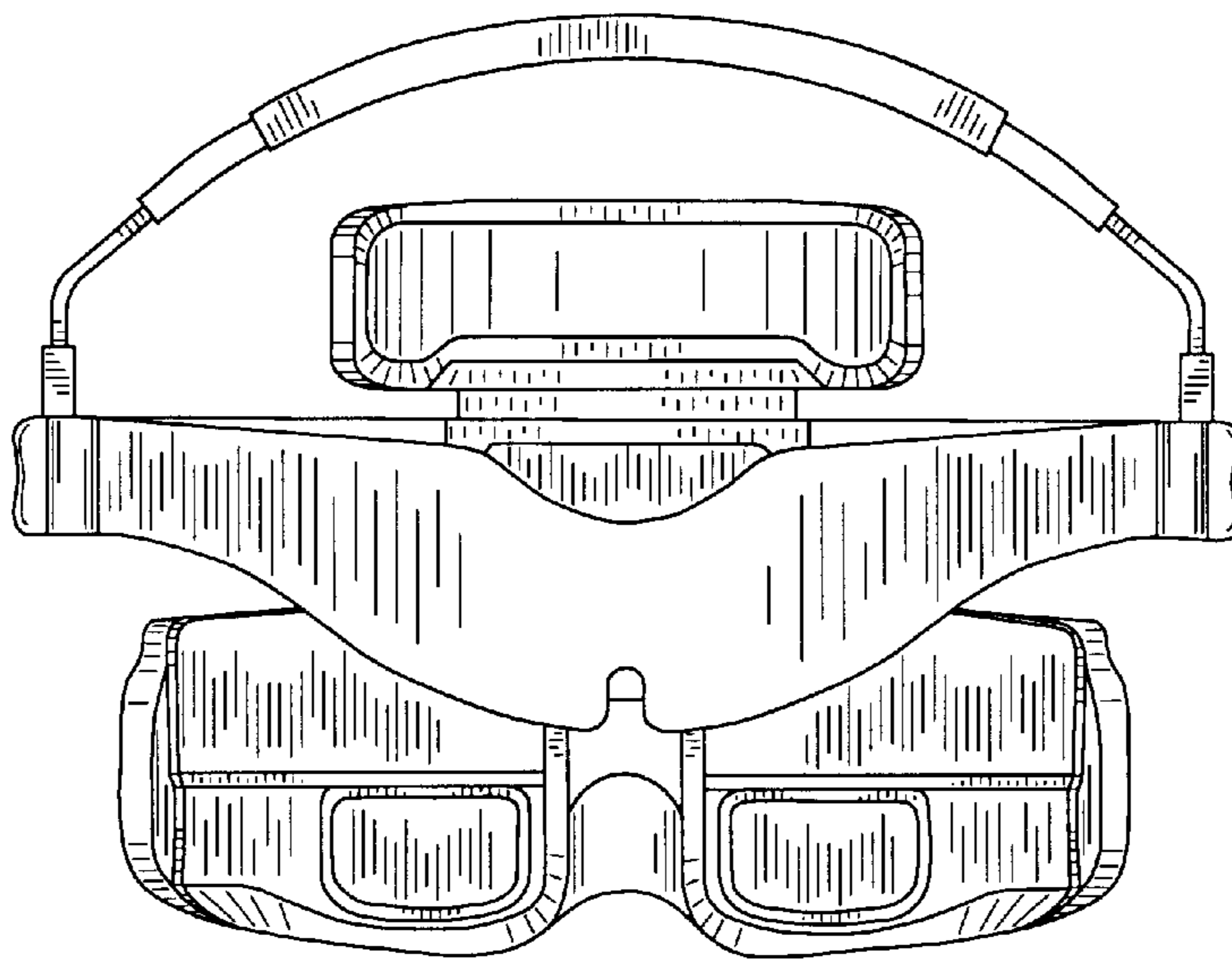


FIG. 7

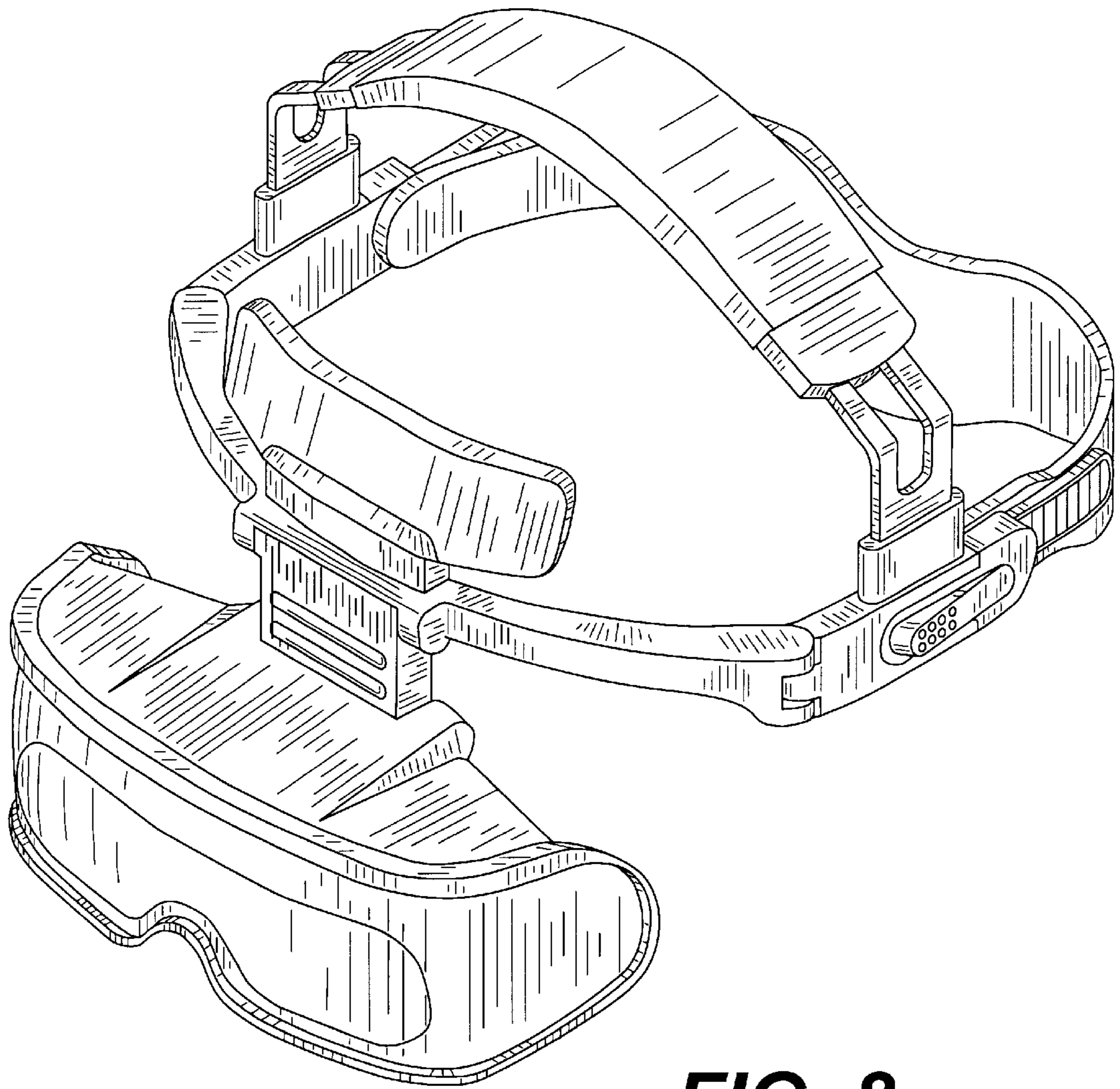


FIG. 8

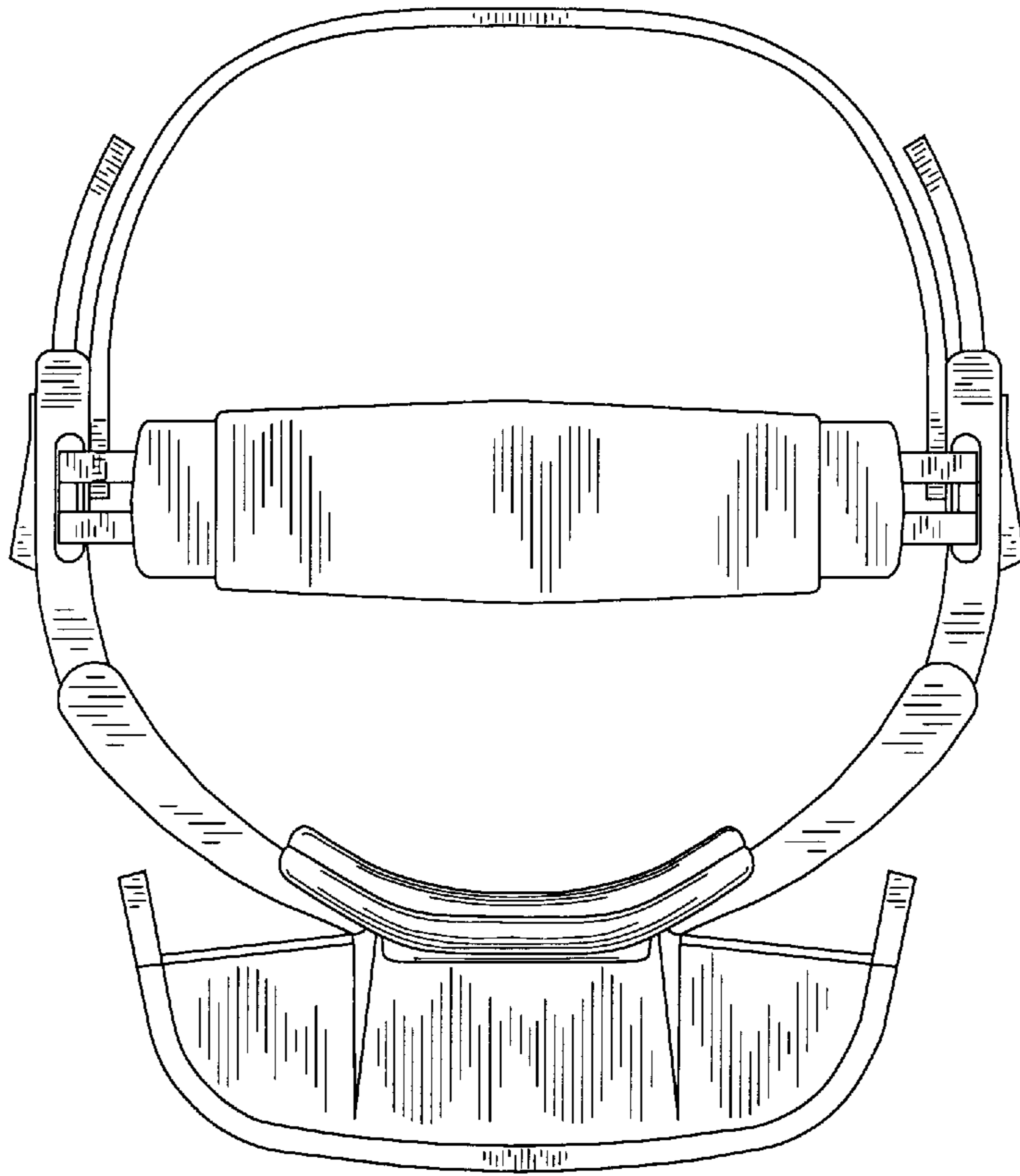


FIG. 9

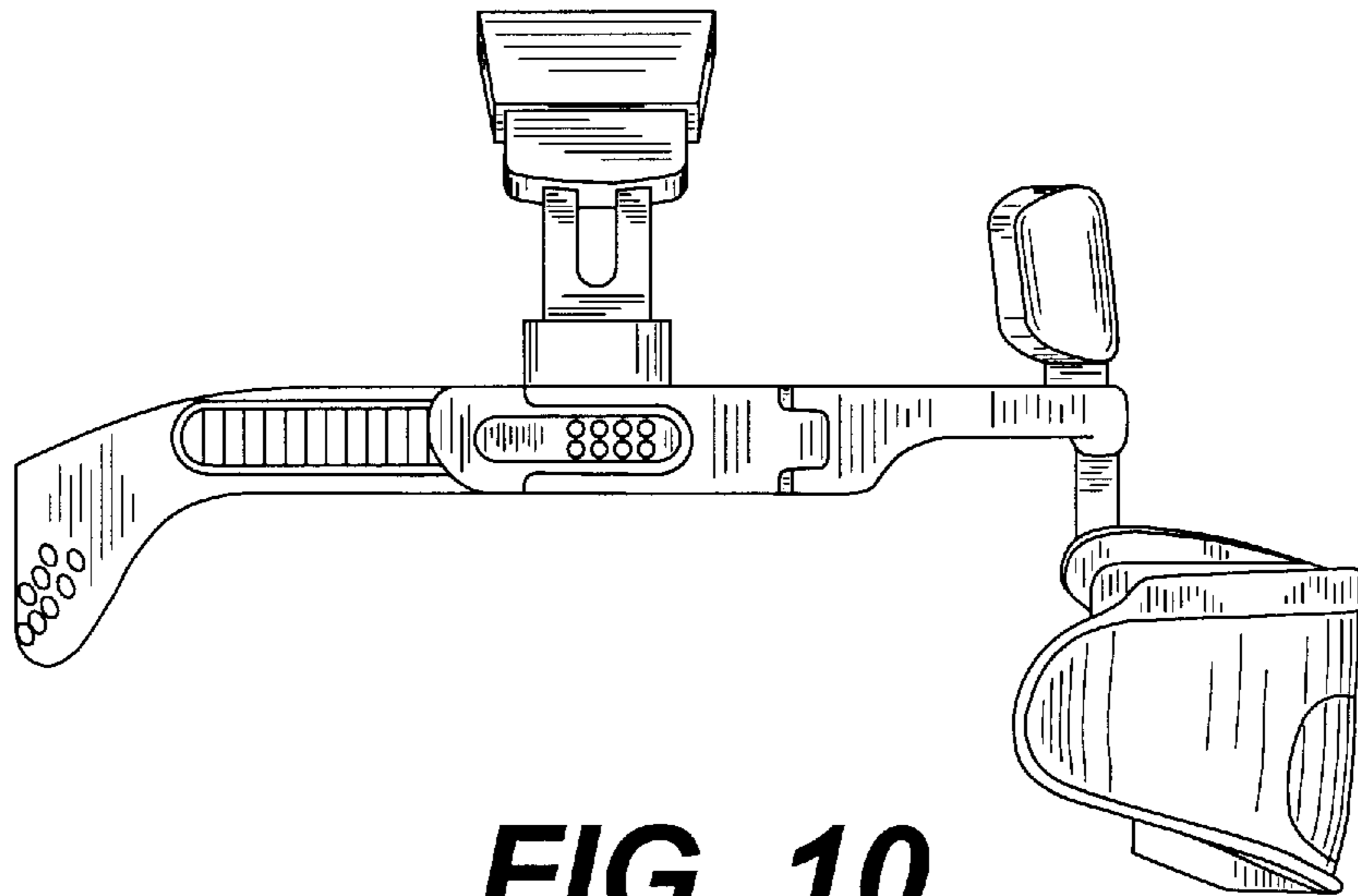


FIG. 10

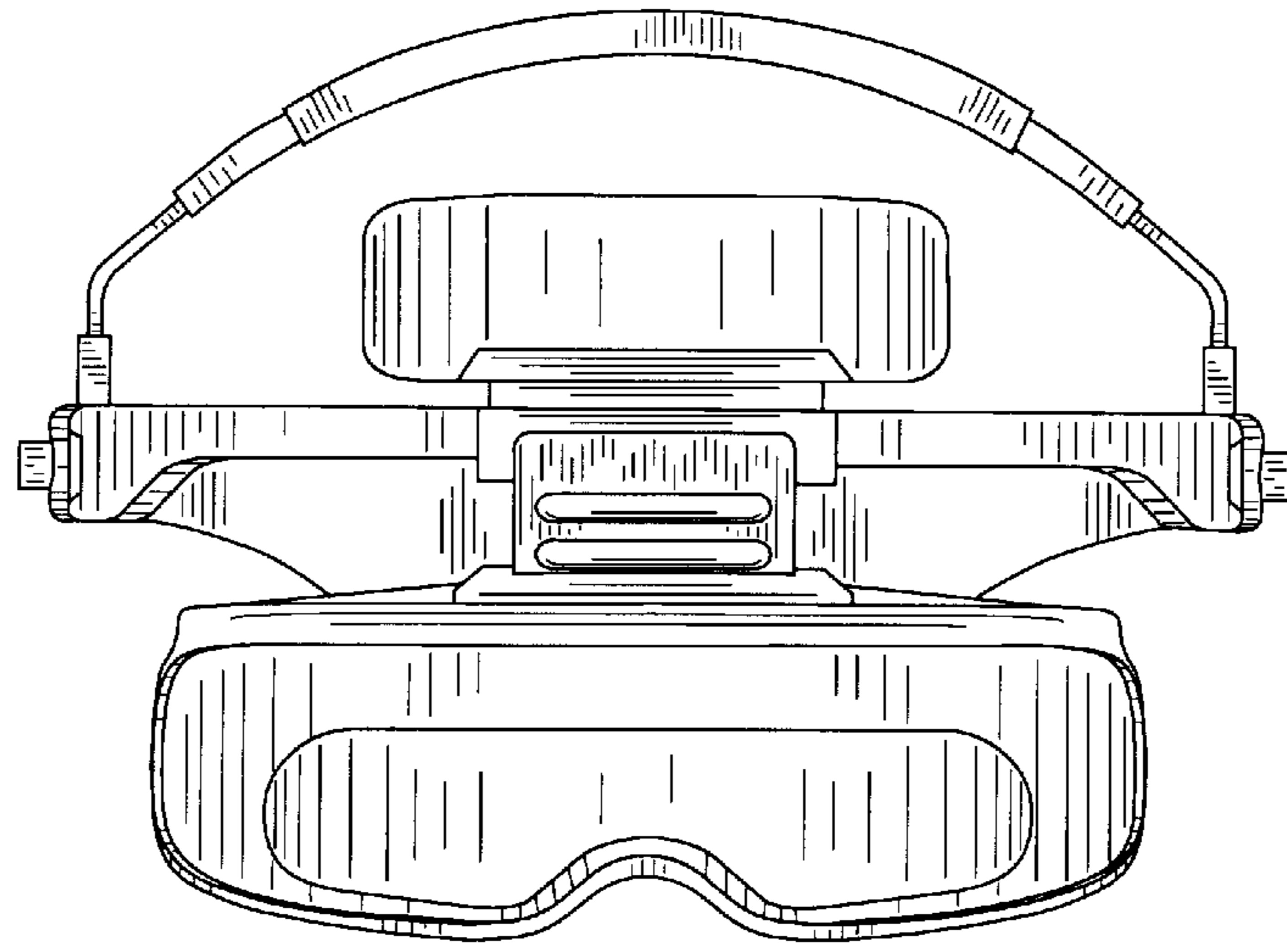


FIG. 11

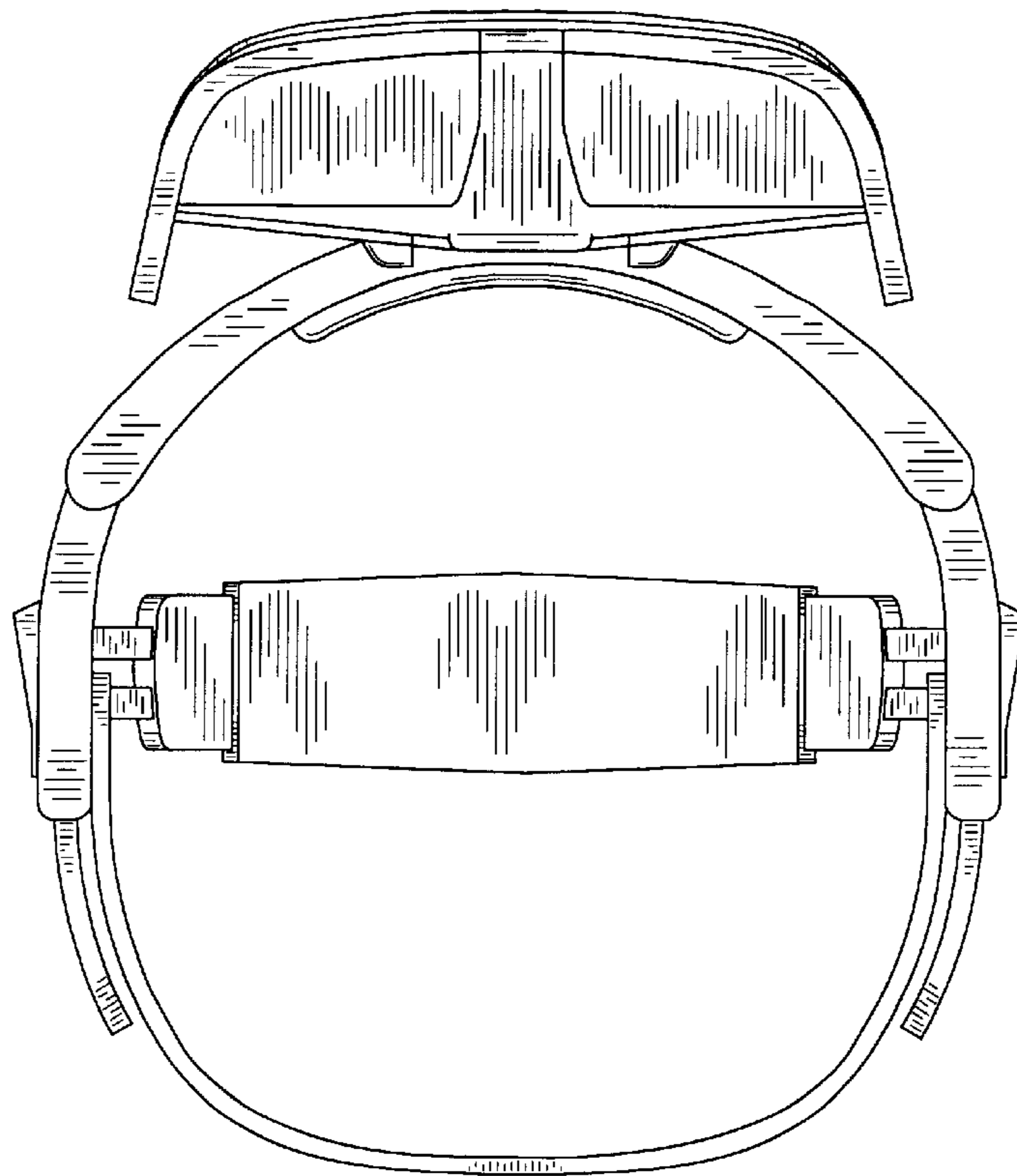


FIG. 12

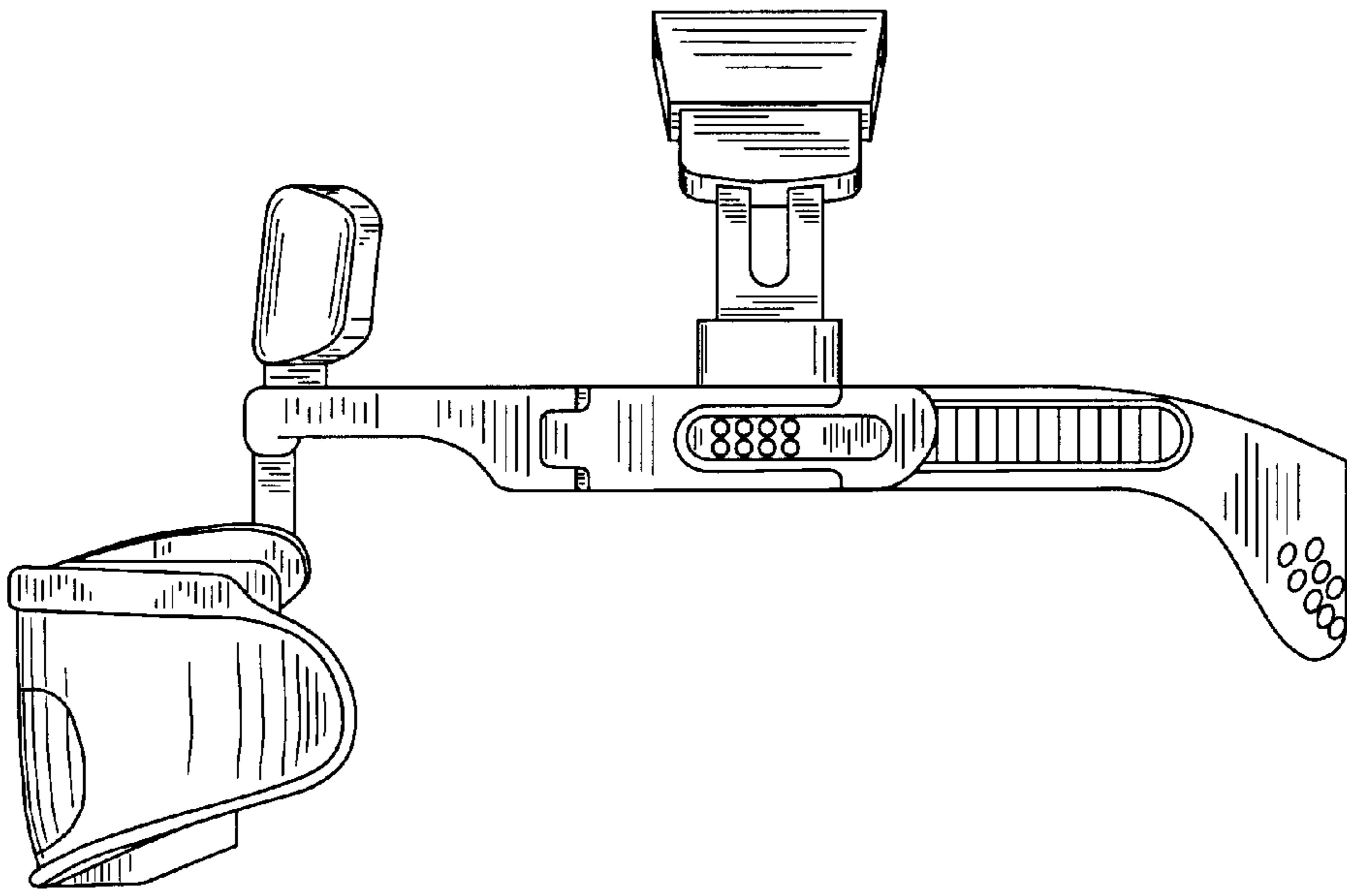


FIG. 13

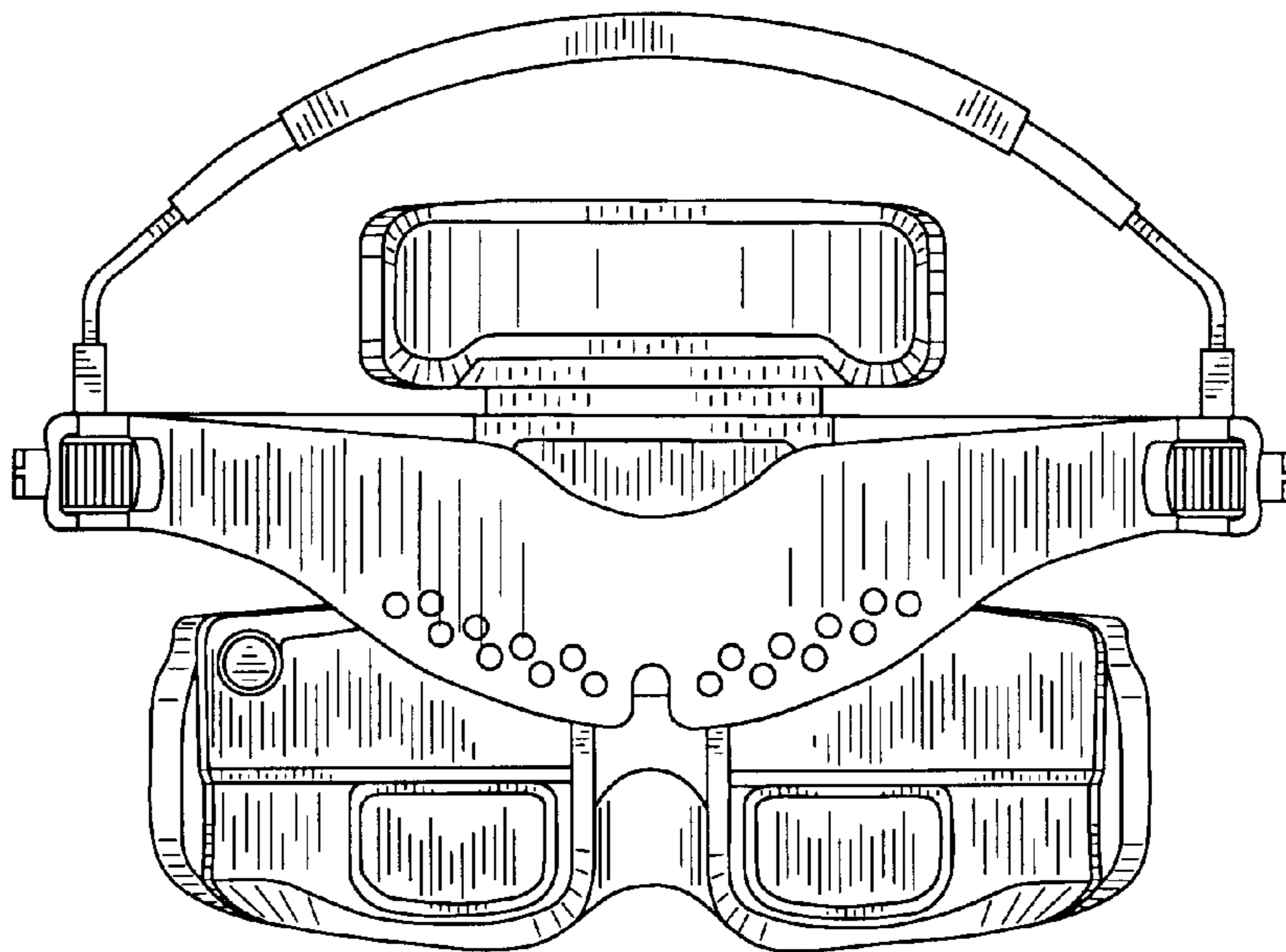


FIG. 14

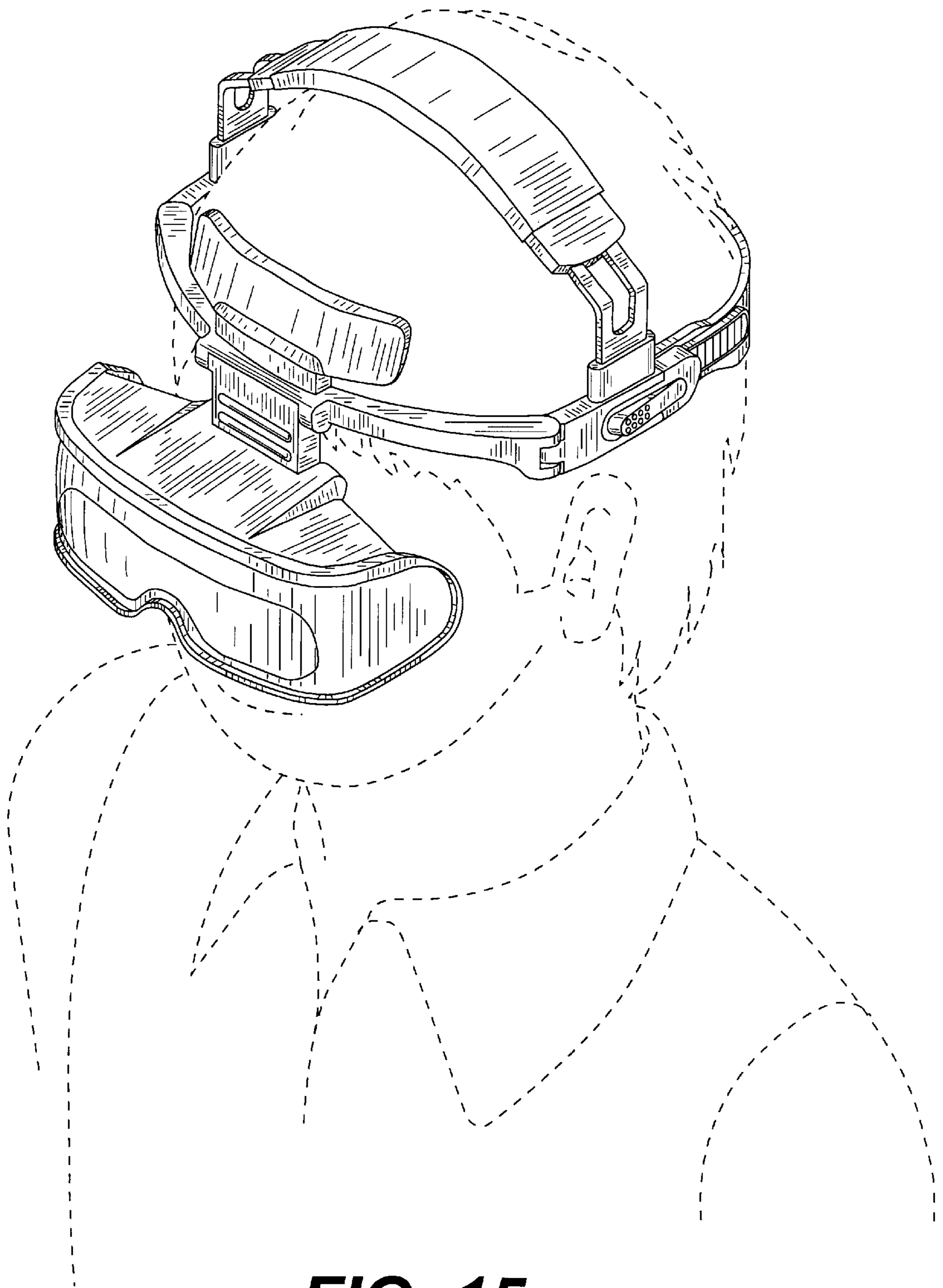


FIG. 15