



US00D427978S

United States Patent [19]

Kabat

[11] Patent Number: **Des. 427,978**

[45] Date of Patent: **** Jul. 11, 2000**

[54] DATA MULTIPLEXER ENCLOSURE

[75] Inventor: **Zbigniew Kabat**, Schaumburg, Ill.

[73] Assignee: **AG Communication Systems Corporation**, Phoenix, Ariz.

[**] Term: **14 Years**

[21] Appl. No.: **29/116,731**

[22] Filed: **Jan. 10, 2000**

D. 328,593	8/1992	Hutton	D13/184 X
D. 342,249	12/1993	Beaumont et al.	D13/184 X
D. 368,429	4/1996	Serio, Jr.	D13/184 X
D. 390,199	2/1998	Jackson et al.	D13/184
5,527,988	6/1996	Hernandez et al.	174/50
6,005,768	12/1999	Jo	361/685

Related U.S. Application Data

[62] Division of application No. 29/085,437, Feb. 26, 1998.

[51] LOC (7) Cl. **13-03**

[52] U.S. Cl. **D13/184**

[58] Field of Search D13/133, 146, D13/162, 164, 184; D14/100, 140, 240; 361/600, 601, 679, 683, 685, 728; 174/50

References Cited

U.S. PATENT DOCUMENTS

D. 325,902 5/1992 Hudson et al. D13/184

Primary Examiner—Alan P. Douglas
Assistant Examiner—Lavone D. Tabor
Attorney, Agent, or Firm—David J. Zwick

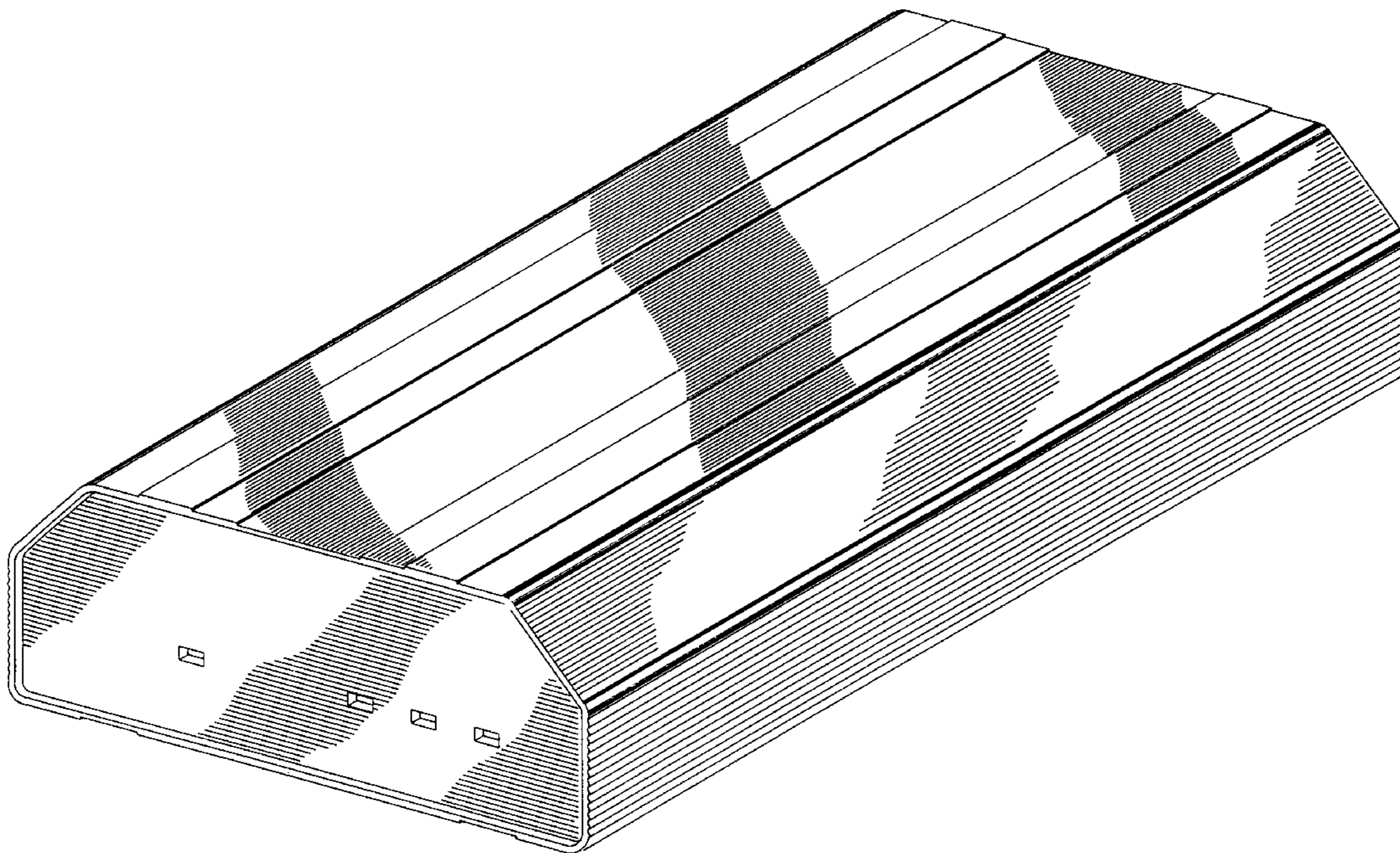
[57] CLAIM

The ornamental design for a data multiplexer enclosure, as shown and described.

DESCRIPTION

FIG. 1 is a front, top, and right side perspective view of a data multiplexer enclosure showing my new design; and, FIG. 2 is a rear, bottom, and right side perspective view thereof, the left side being identical to the right side.

1 Claim, 2 Drawing Sheets



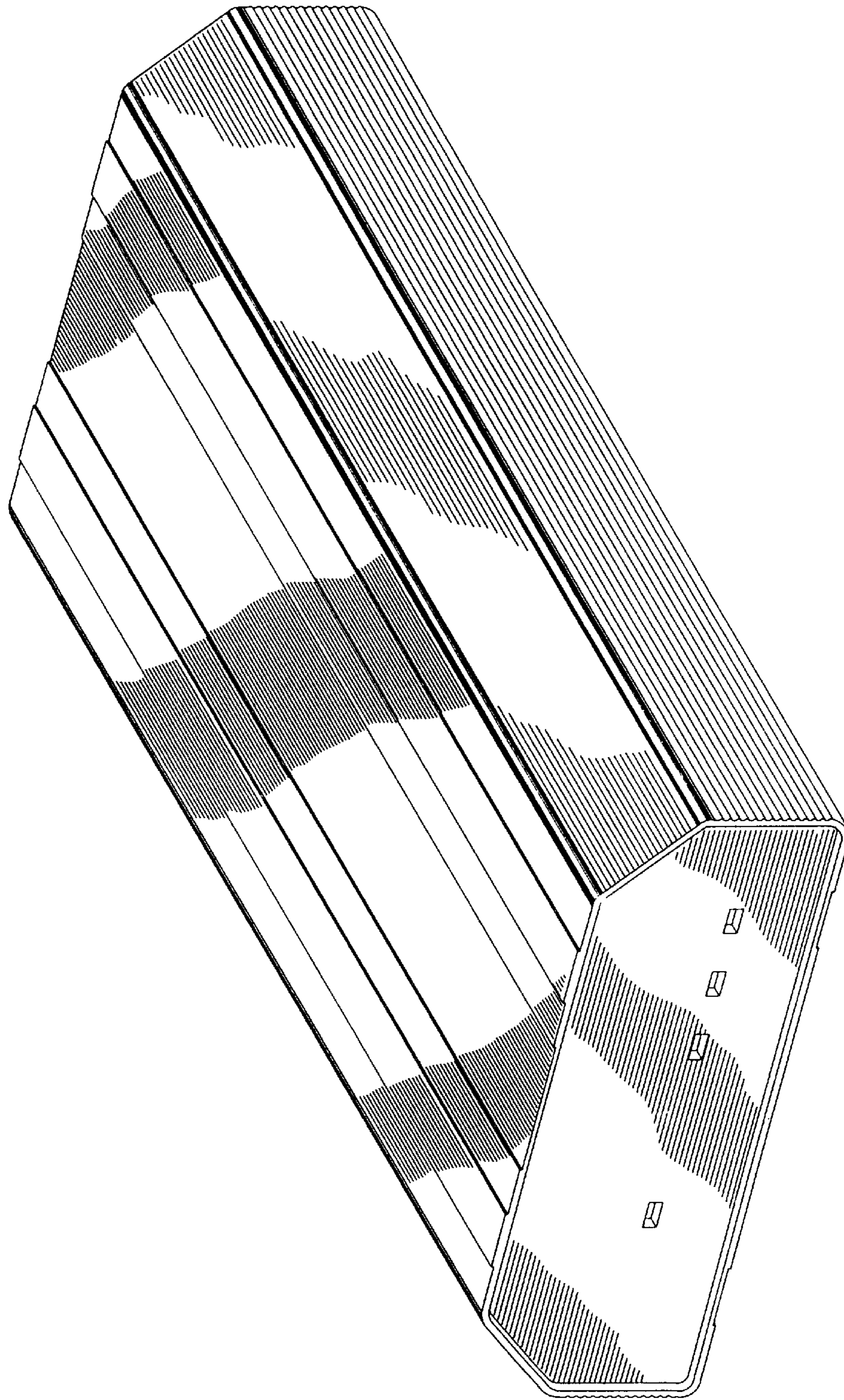


FIG. 1

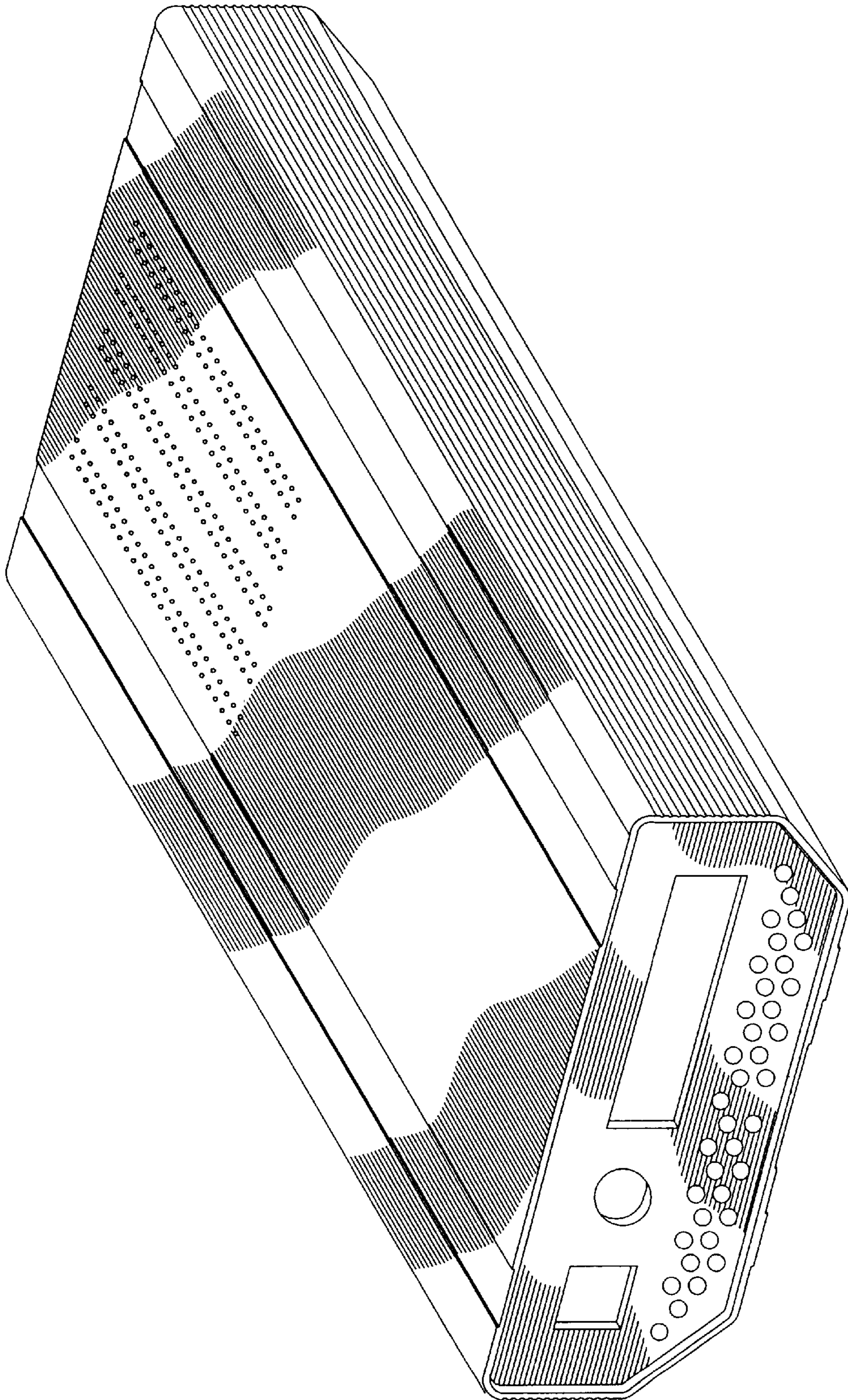


FIG. 2