



US00D427977S

United States Patent [19]

Takizawa et al.

[11] Patent Number: **Des. 427,977**

[45] Date of Patent: **** Jul. 11, 2000**

[54] **PIEZOELECTRIC CONVERSION TYPE SEMICONDUCTOR DEVICE**

D. 359,028 6/1995 Siegel et al. D13/182
D. 360,619 7/1995 Terasawa et al. D13/182
D. 396,211 7/1998 Enomoto et al. D13/182

[75] Inventors: **Takashi Takizawa**, Kawasaki; **Tatsuya Itoh**; **Naoshi Tsukada**, both of Akita, all of Japan

Primary Examiner—Brian N. Vinson
Attorney, Agent, or Firm—Laff, Whitesel & Saret, Ltd.; J. Warren Whitesel

[73] Assignee: **Fujikura Ltd.**, Tokyo, Japan

[57] **CLAIM**

[**] Term: **14 Years**

The ornamental design for a piezoelectric conversion type semiconductor device, as shown.

[21] Appl. No.: **29/106,663**

DESCRIPTION

[22] Filed: **Jun. 18, 1999**

[51] **LOC (7) Cl.** **13-03**

[52] **U.S. Cl.** **D13/182**

[58] **Field of Search** D13/182; 174/52.1, 174/524; 439/55; 361/718, 820

FIG. 1 is a front, top and right side perspective view of a piezoelectric conversion type semiconductor device, showing our new design;

FIG. 2 is a front elevational view thereof;

FIG. 3 is a rear elevational view thereof;

FIG. 4 is a top plan view thereof;

FIG. 5 is a bottom plan view thereof;

FIG. 6 is a left side elevational view thereof; and,

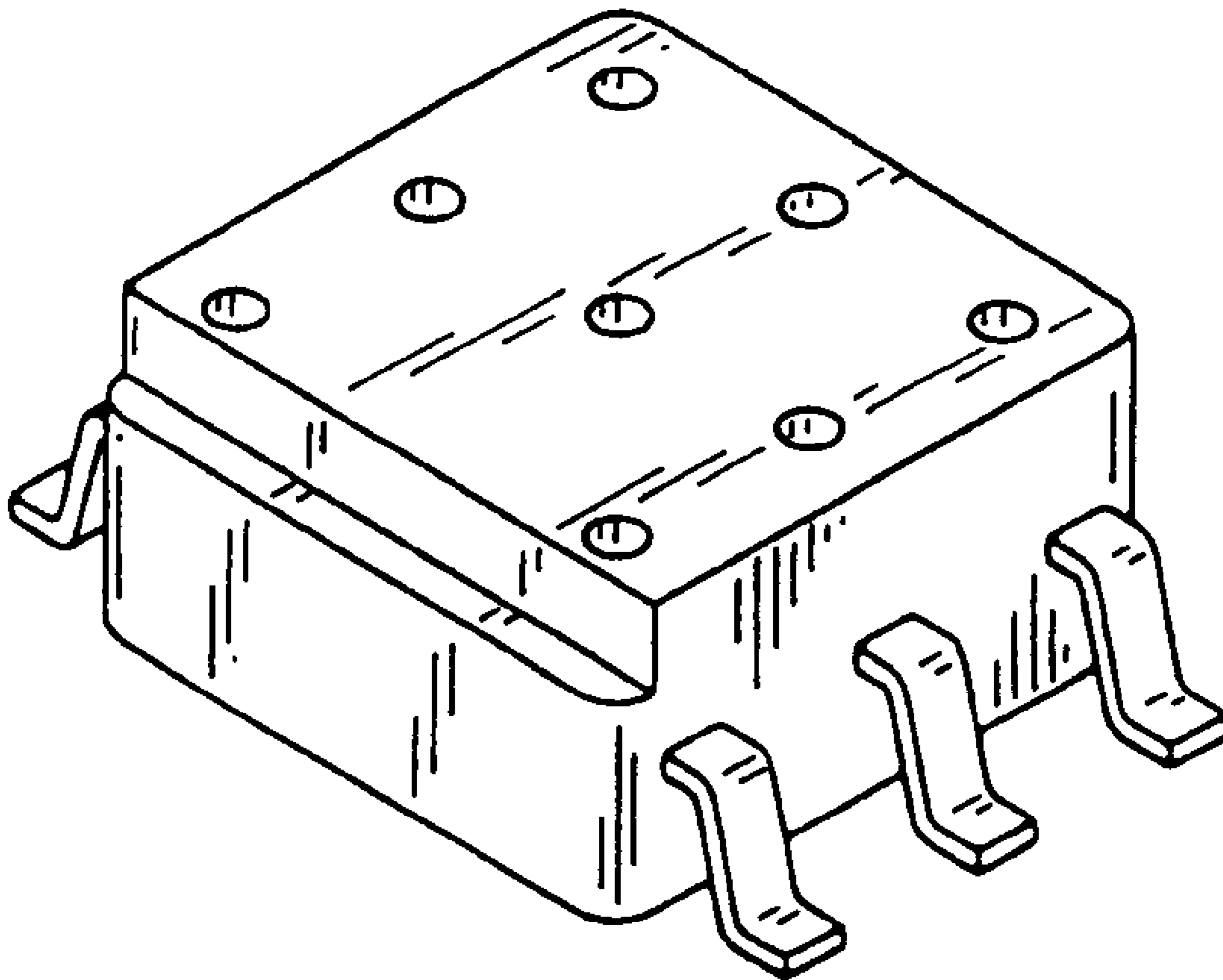
FIG. 7 is a right side elevational view thereof;

[56] **References Cited**

U.S. PATENT DOCUMENTS

D. 288,922 3/1987 Oia D13/182
D. 317,592 6/1991 Yoshizawa D13/182
D. 345,731 4/1994 Owens et al. D13/182

1 Claim, 1 Drawing Sheet



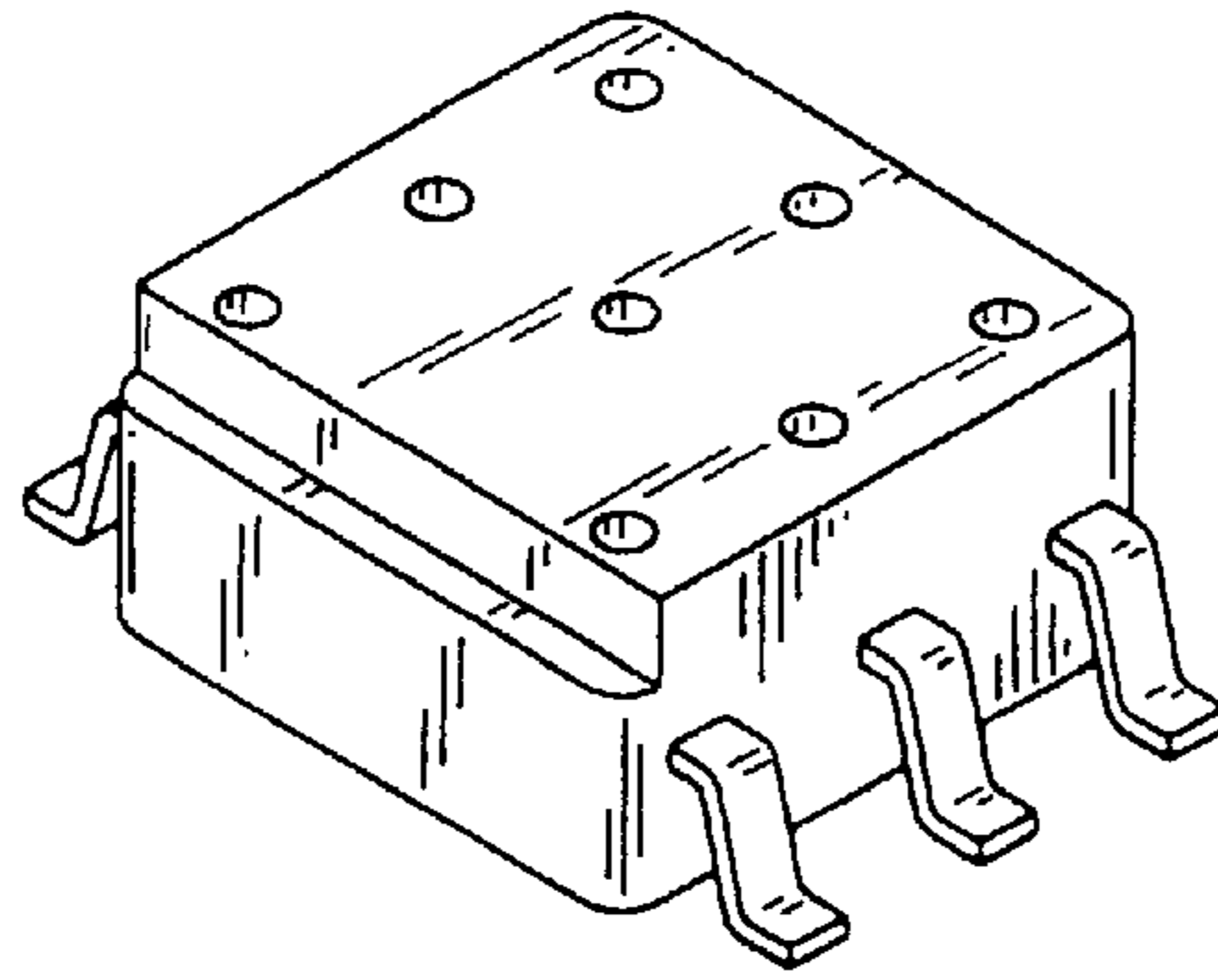


Fig. 1

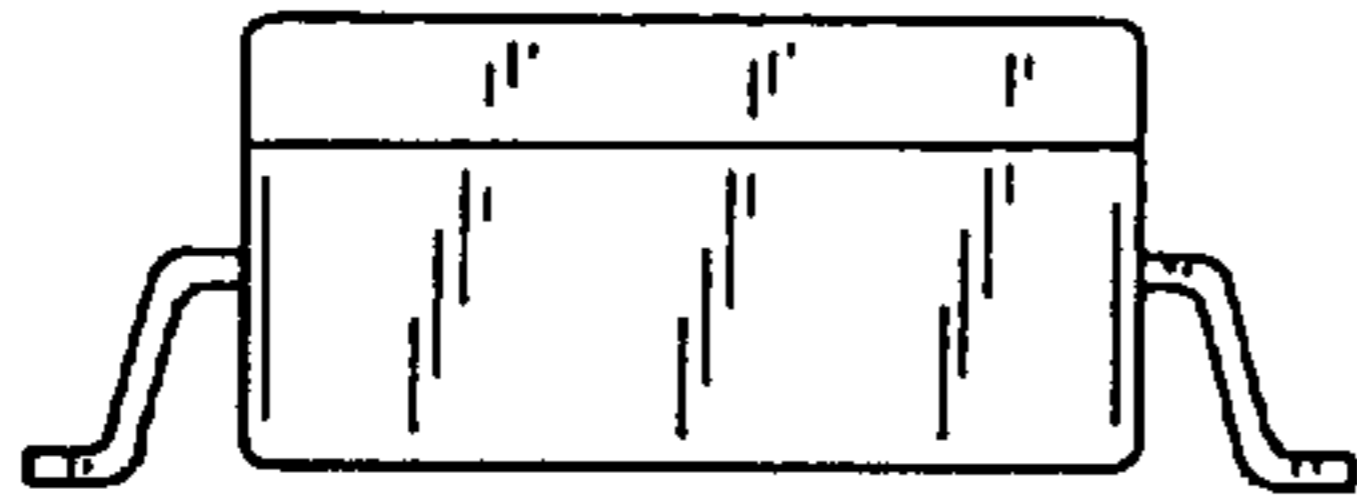


Fig. 2

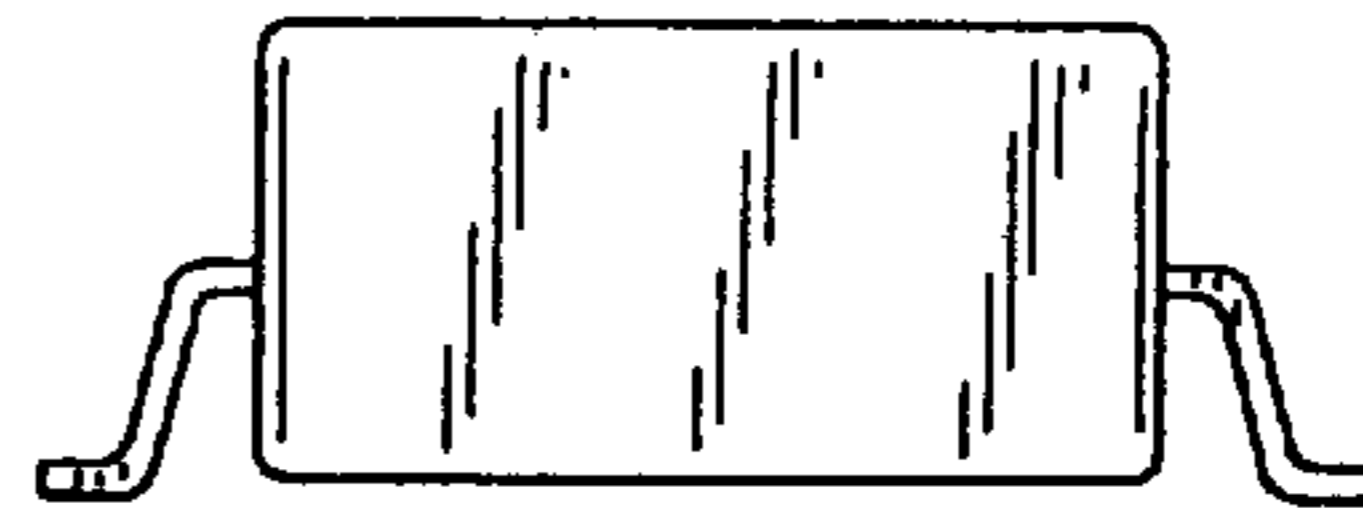


Fig. 3

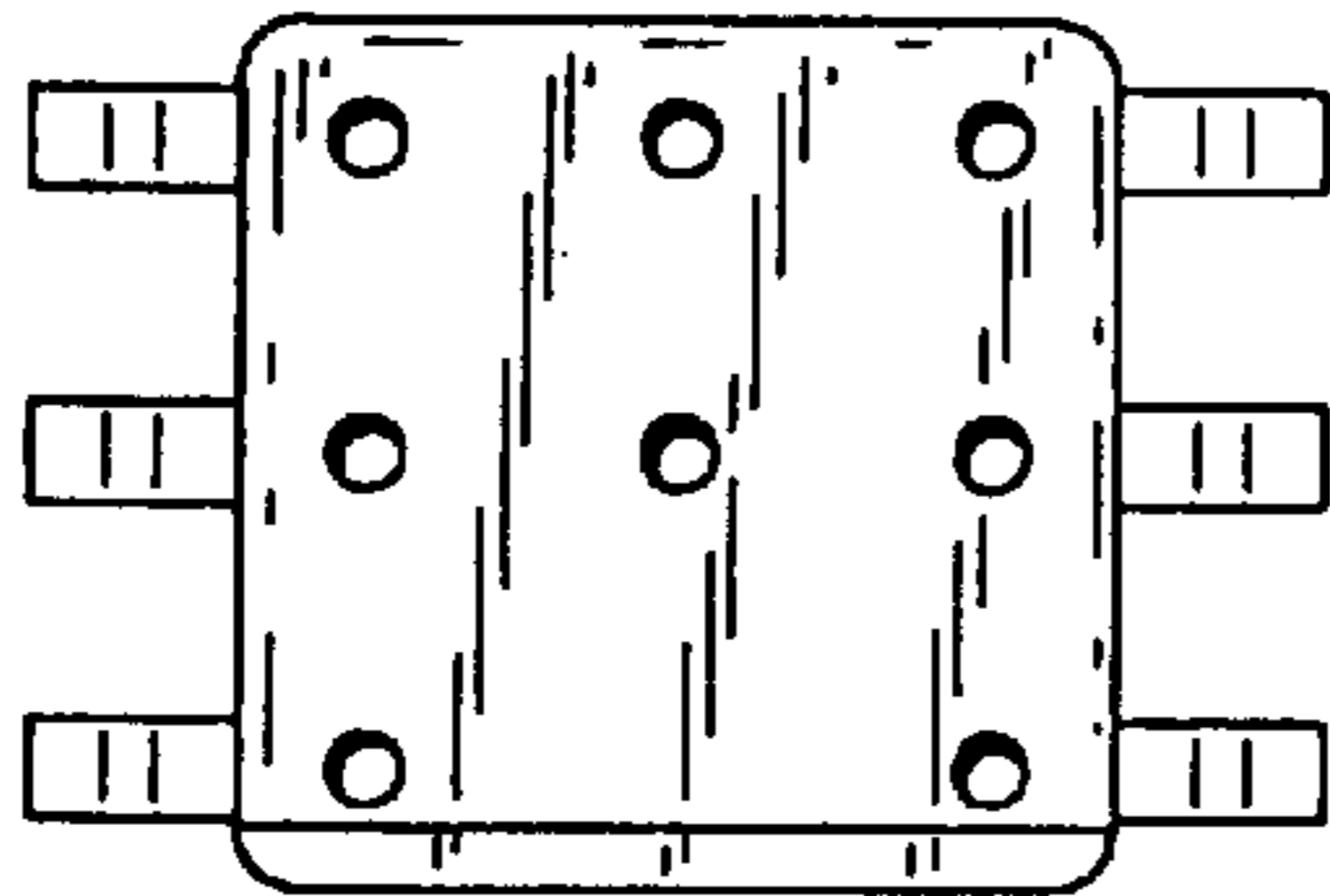


Fig. 4

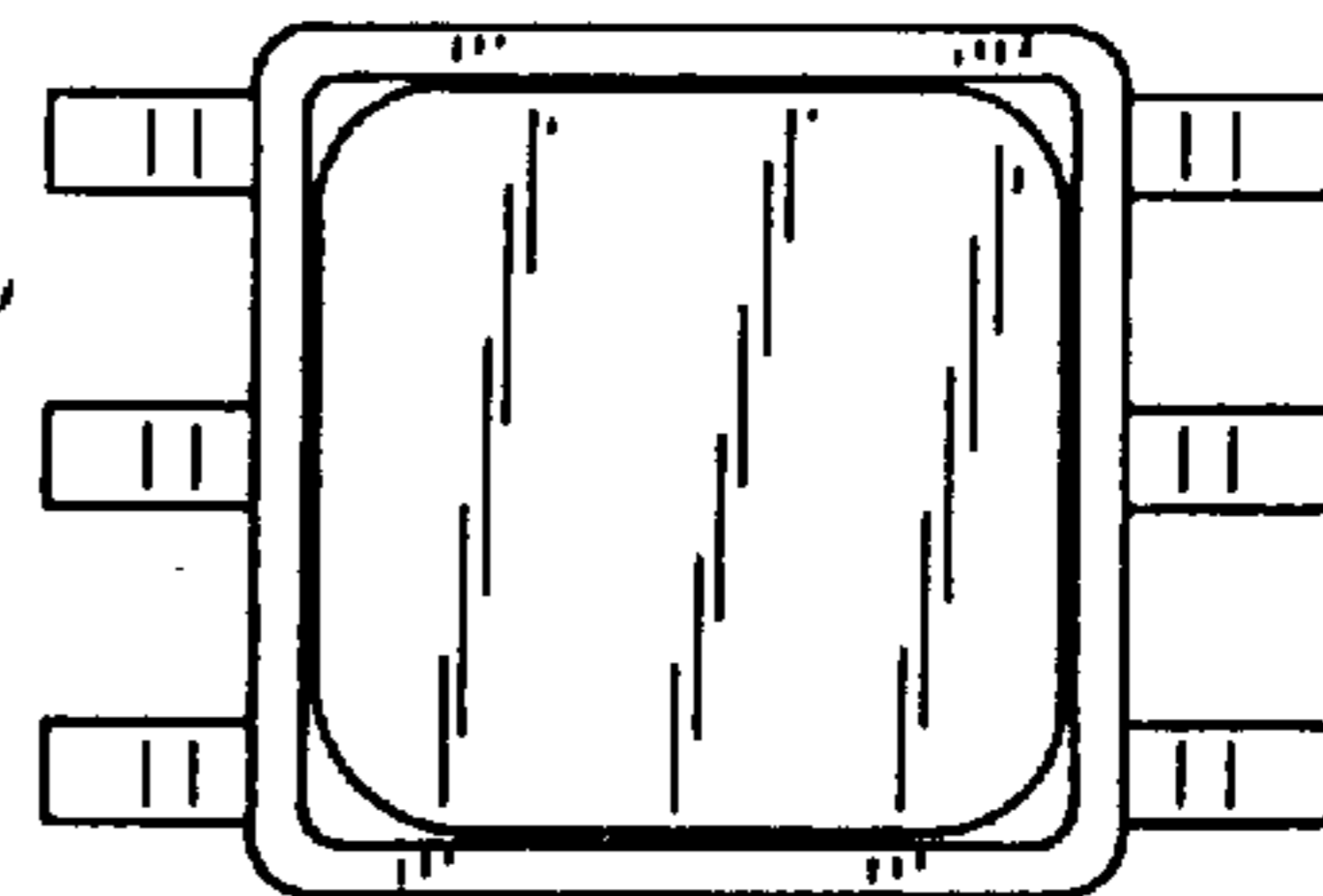


Fig. 5

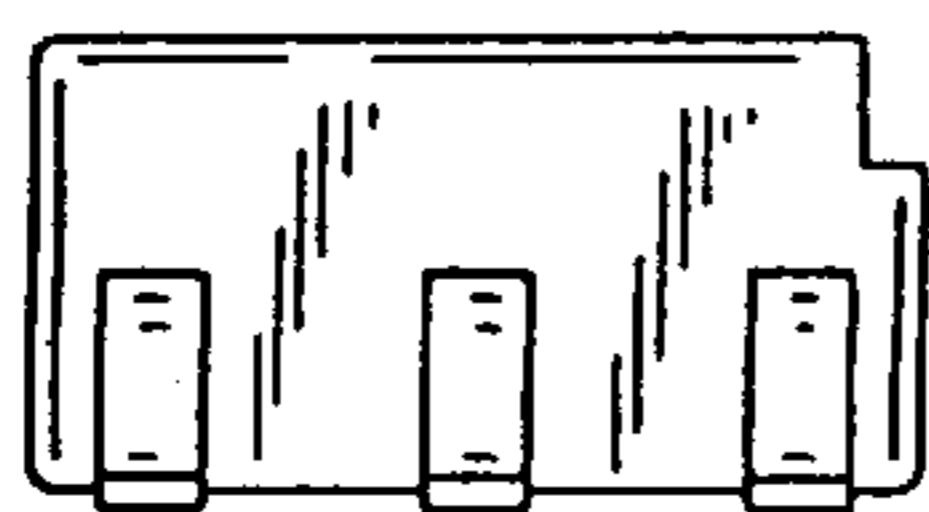


Fig. 6



Fig. 7