



US00D427975S

# United States Patent [19]

Zhu et al.

[11] Patent Number: **Des. 427,975**

[45] Date of Patent: **\*\* Jul. 11, 2000**

[54] **ELECTRICAL CONNECTOR**

[75] Inventors: **Zi Qiang Zhu; Jian-Qiang Zhang,**  
both of Kun-San, China

[73] Assignee: **Hon Hai Precision Ind. Co., Ltd.,**  
Taipei Hsien, Taiwan

[\*\*] Term: **14 Years**

[21] Appl. No.: **29/112,634**

[22] Filed: **Oct. 20, 1999**

[51] **LOC (7) Cl.** ..... **13-03**

[52] **U.S. Cl.** ..... **D13/147**

[58] **Field of Search** ..... D13/146, 147;  
439/76.1, 79, 83, 607-610

[56] **References Cited**

**U.S. PATENT DOCUMENTS**

D. 344,492 2/1994 Nakamura ..... D13/147

D. 399,489 10/1998 Nishio et al. .... D13/147  
D. 409,570 5/1999 Wu ..... D13/147  
5,938,473 8/1999 Nishio et al. .... 439/607 X  
6,007,382 12/1999 Wu ..... 439/607

*Primary Examiner*—Joel Sincavage  
*Attorney, Agent, or Firm*—Wei Te Chung

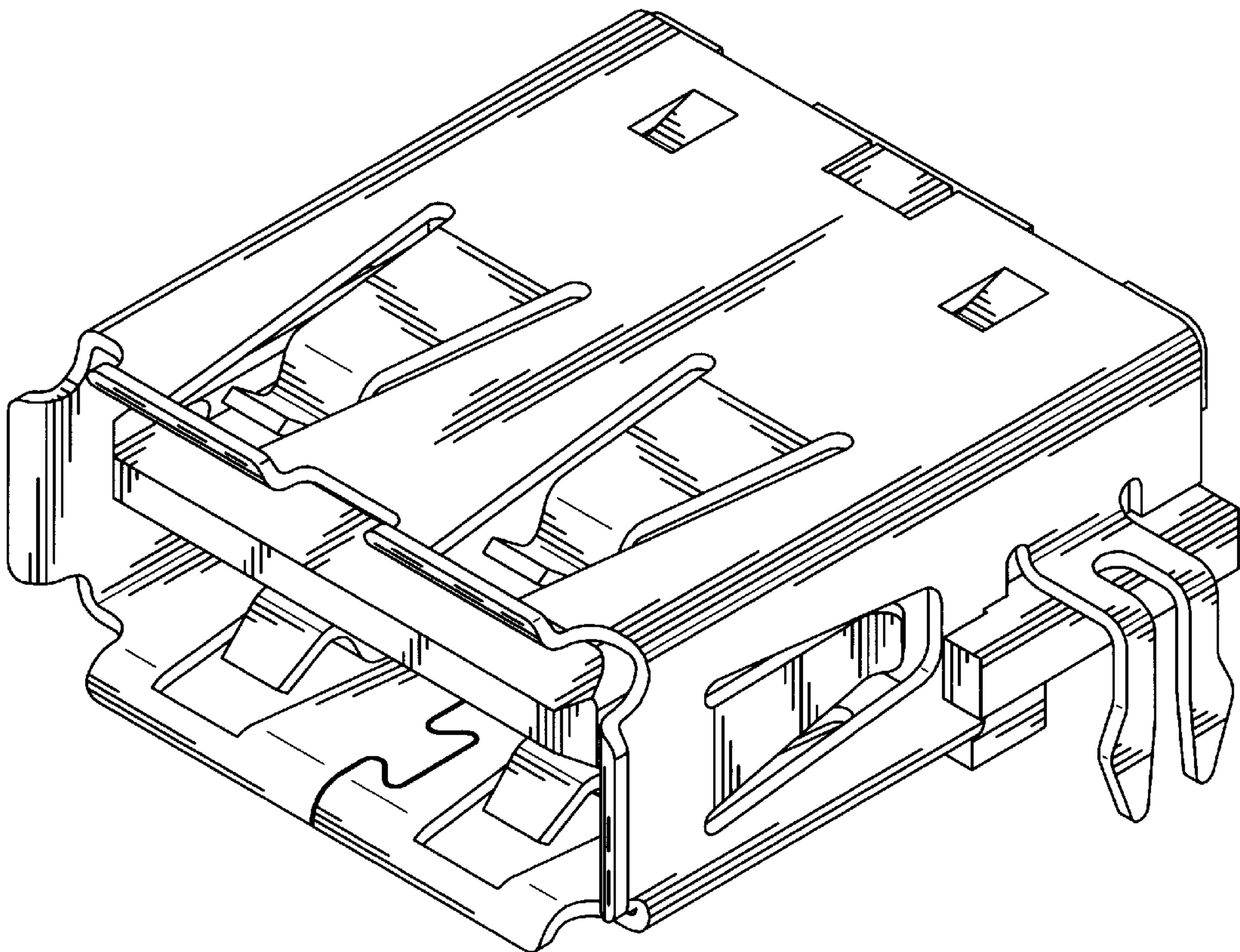
[57] **CLAIM**

The ornamental design for an electrical connector, as shown.

**DESCRIPTION**

FIG. 1 is a front, top and right side perspective view of an electrical connector showing our new design; FIG. 2 is a front elevational view thereof; FIG. 3 is a rear elevational view thereof; FIG. 4 is a left side elevational view thereof; FIG. 5 is a right side elevational view thereof; FIG. 6 is a top plan view thereof; and, FIG. 7 is a bottom plan view thereof.

**1 Claim, 7 Drawing Sheets**



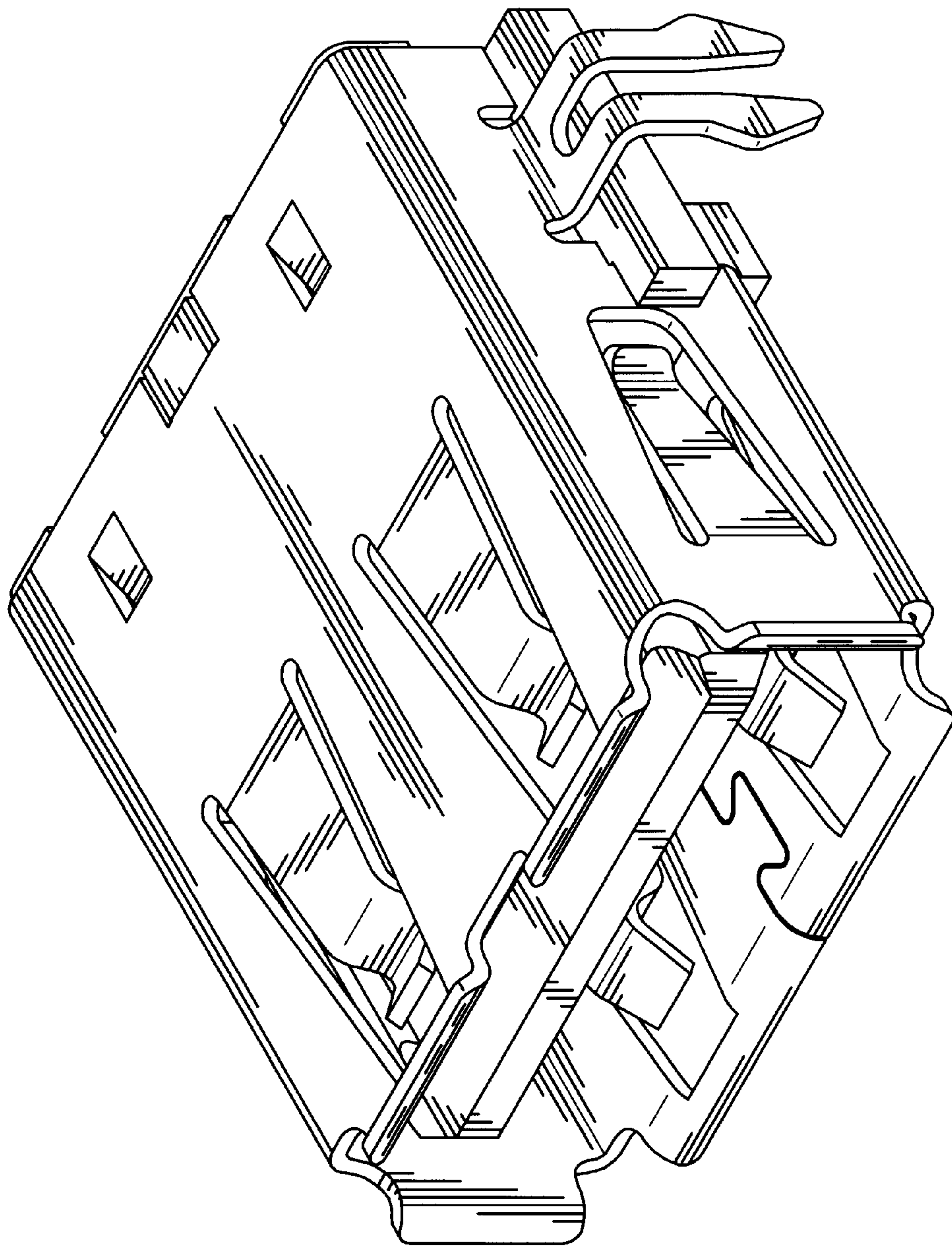


FIG. 1

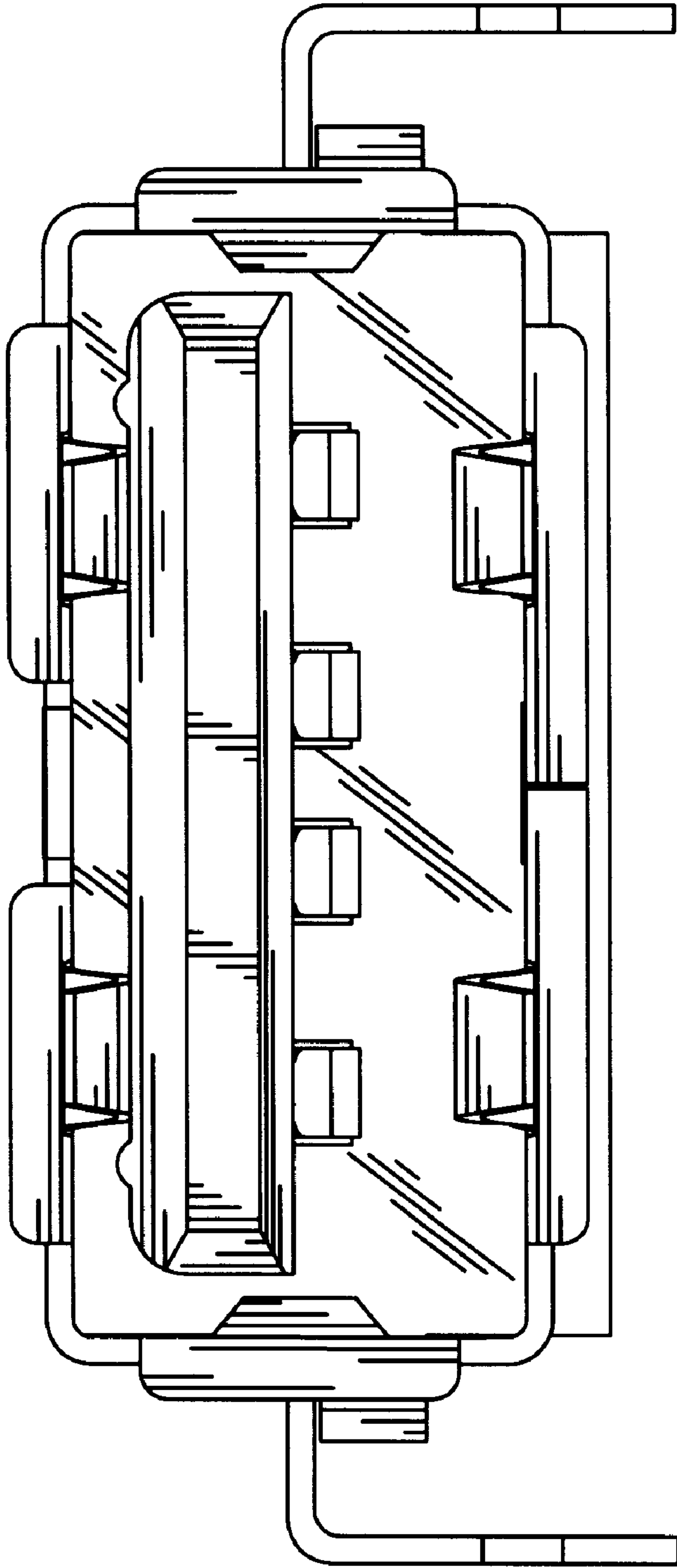


FIG. 2

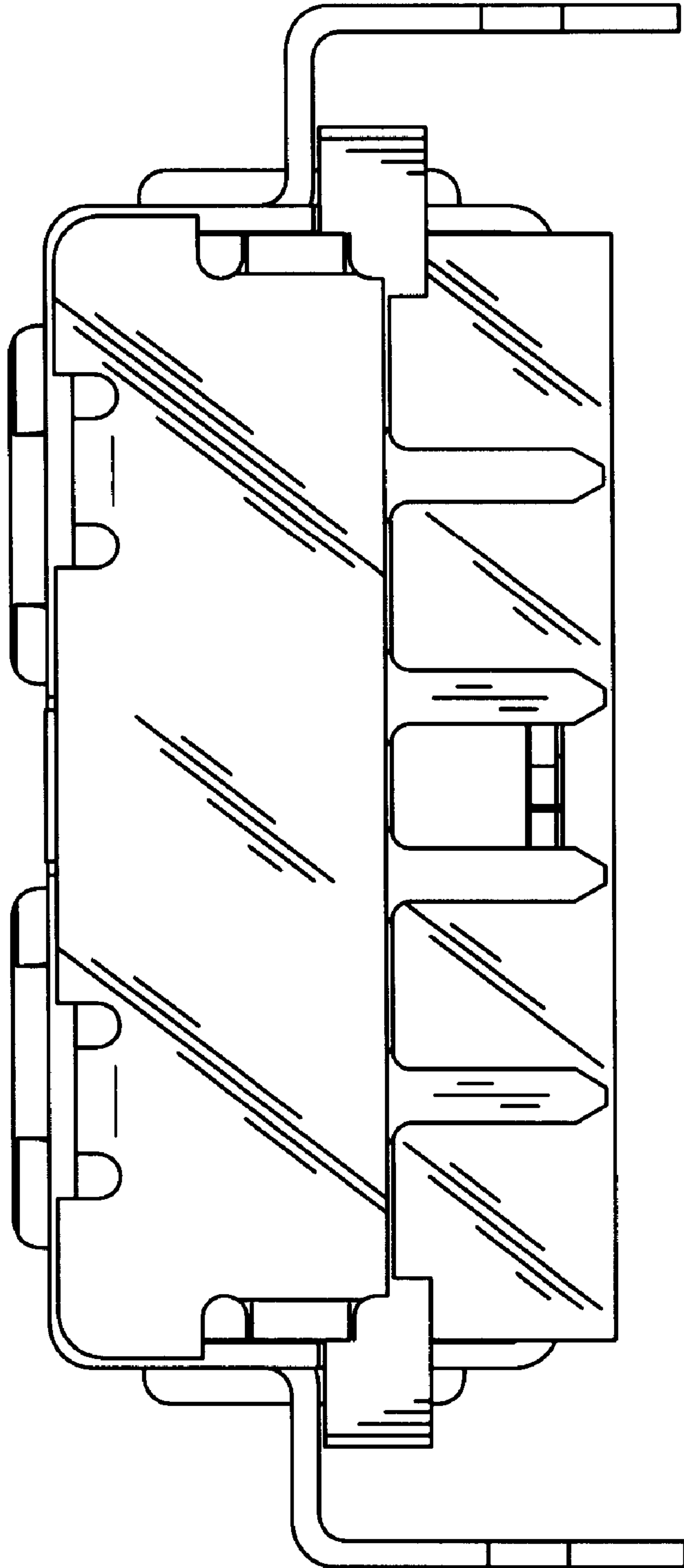


FIG. 3

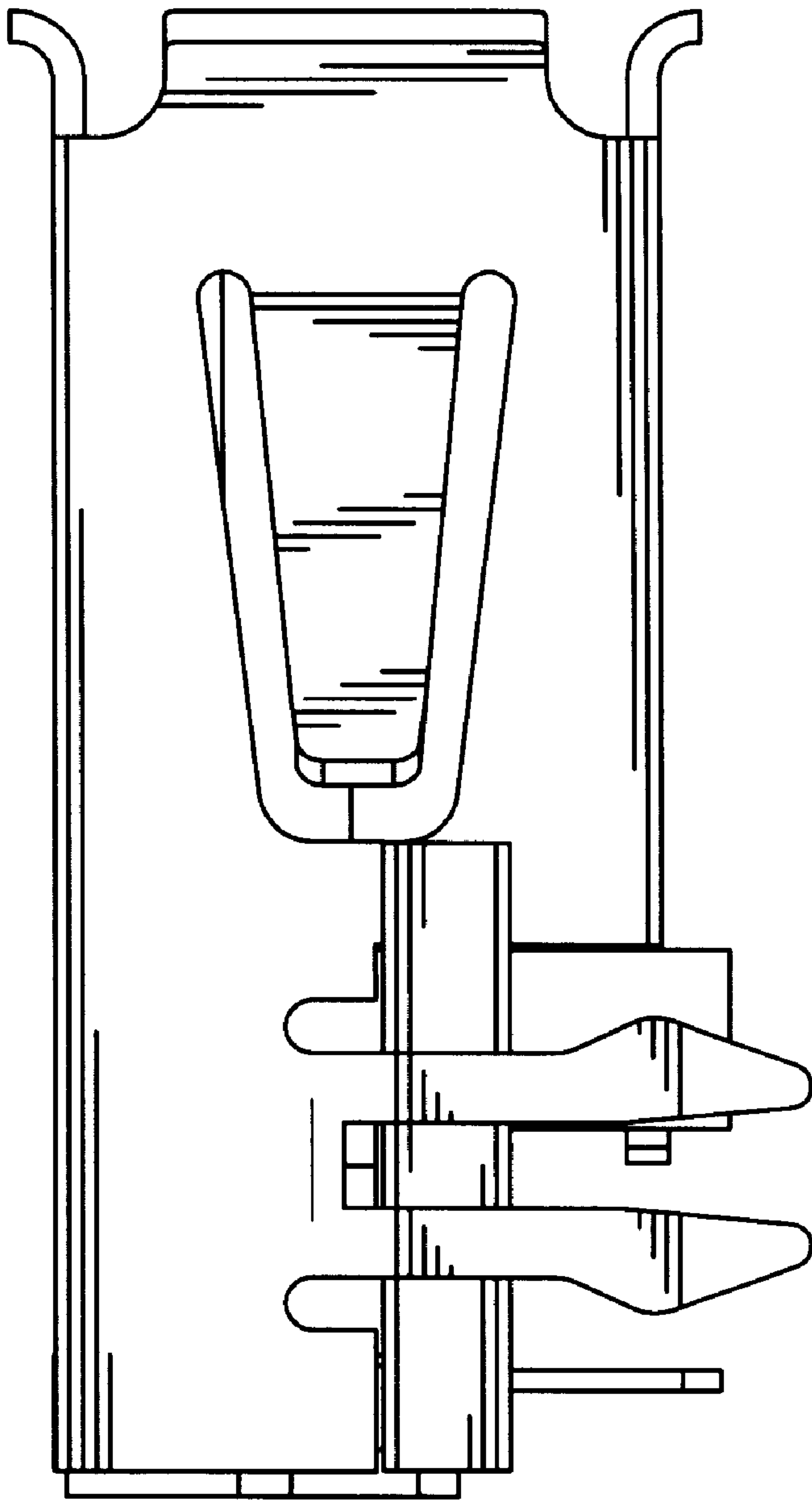


FIG. 4



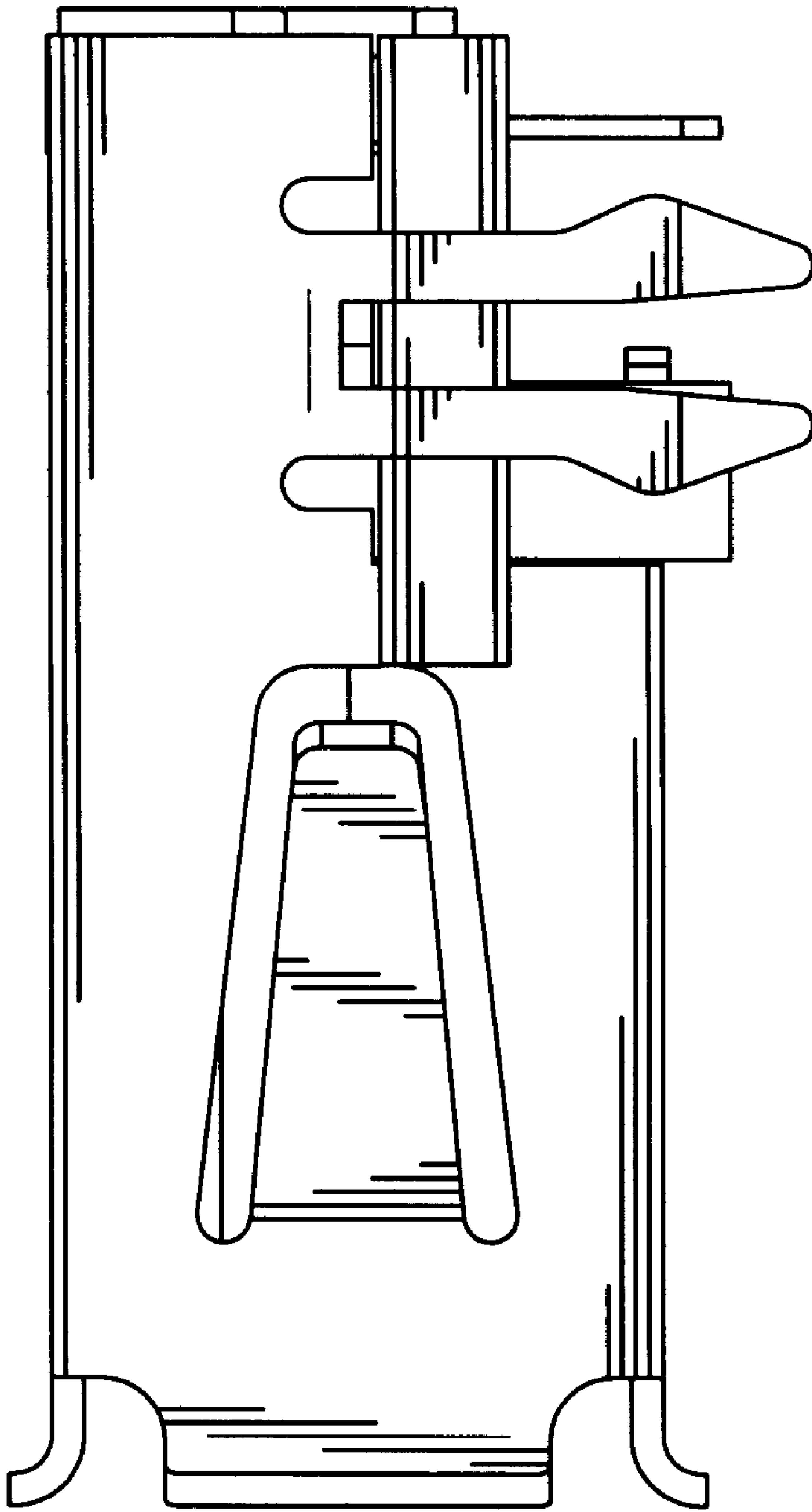


FIG. 5

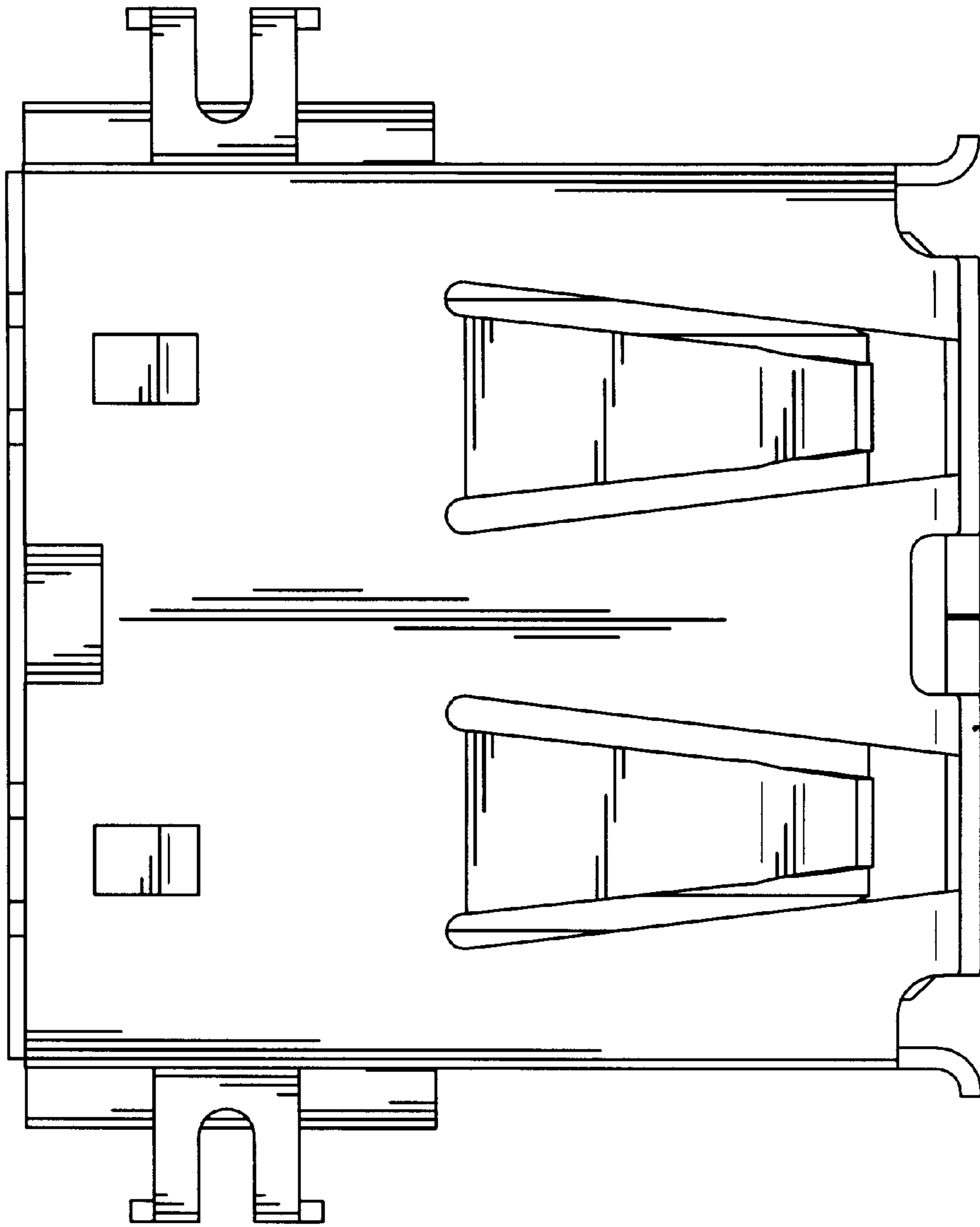


FIG. 6

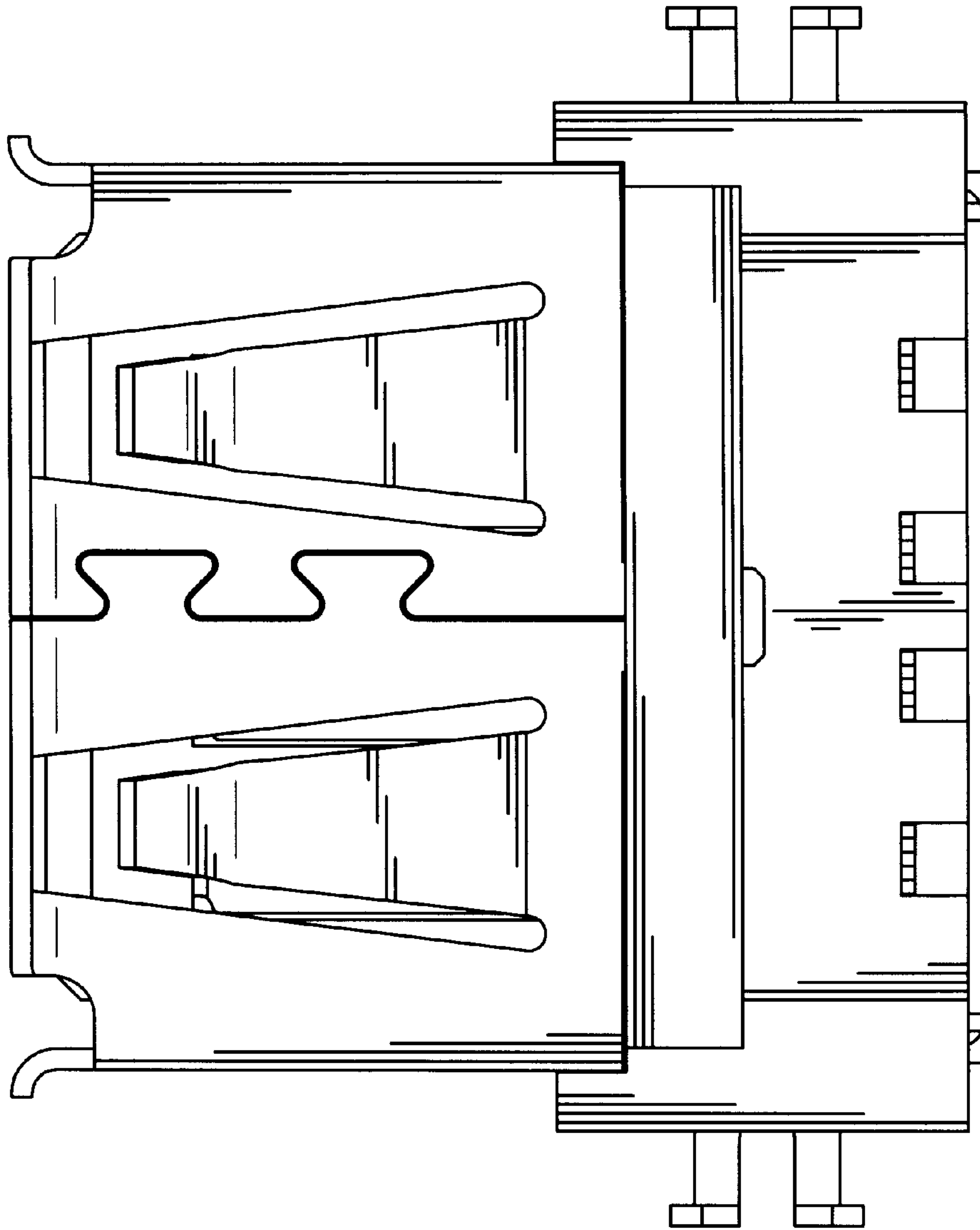


FIG. 7