



US00D427973S

United States Patent [19] Giese

[11] **Patent Number: Des. 427,973**
[45] **Date of Patent: ** Jul. 11, 2000**

[54] **ELECTRICAL OUTPUT PLUG STRIP**

[75] Inventor: **Robert D. Giese**, Kenosha, Wis.

[73] Assignee: **Intermatic Incorporated**, Spring Grove, Ill.

[**] Term: **14 Years**

[21] Appl. No.: **29/108,937**

[22] Filed: **Aug. 5, 1999**

[51] **LOC (7) Cl.** **13-03**

[52] **U.S. Cl.** **D13/139.6; D13/139.8**

[58] **Field of Search** **D13/139.1-139.8;**
439/650, 651, 652, 653, 638, 501, 954;
361/730, 736, 757

[56] **References Cited**

U.S. PATENT DOCUMENTS

D. 356,294	3/1995	Fladung	D13/139.8
D. 369,784	5/1996	Pogue et al.	D13/139.8 X
D. 382,855	8/1997	Salmond et al.	D13/139.8
D. 390,190	2/1998	Stekelenburg	D13/139.7
D. 399,824	10/1998	Heung et al.	D13/139.6

OTHER PUBLICATIONS

Intermatic Catalog, pp. 1, 4-9, 16-20, 24, 34-35, 52 (Jan. 1999).

Primary Examiner—Susan J. Lucas

Assistant Examiner—Jennifer Rivard

Attorney, Agent, or Firm—Brinks Hofer Gilson & Lione

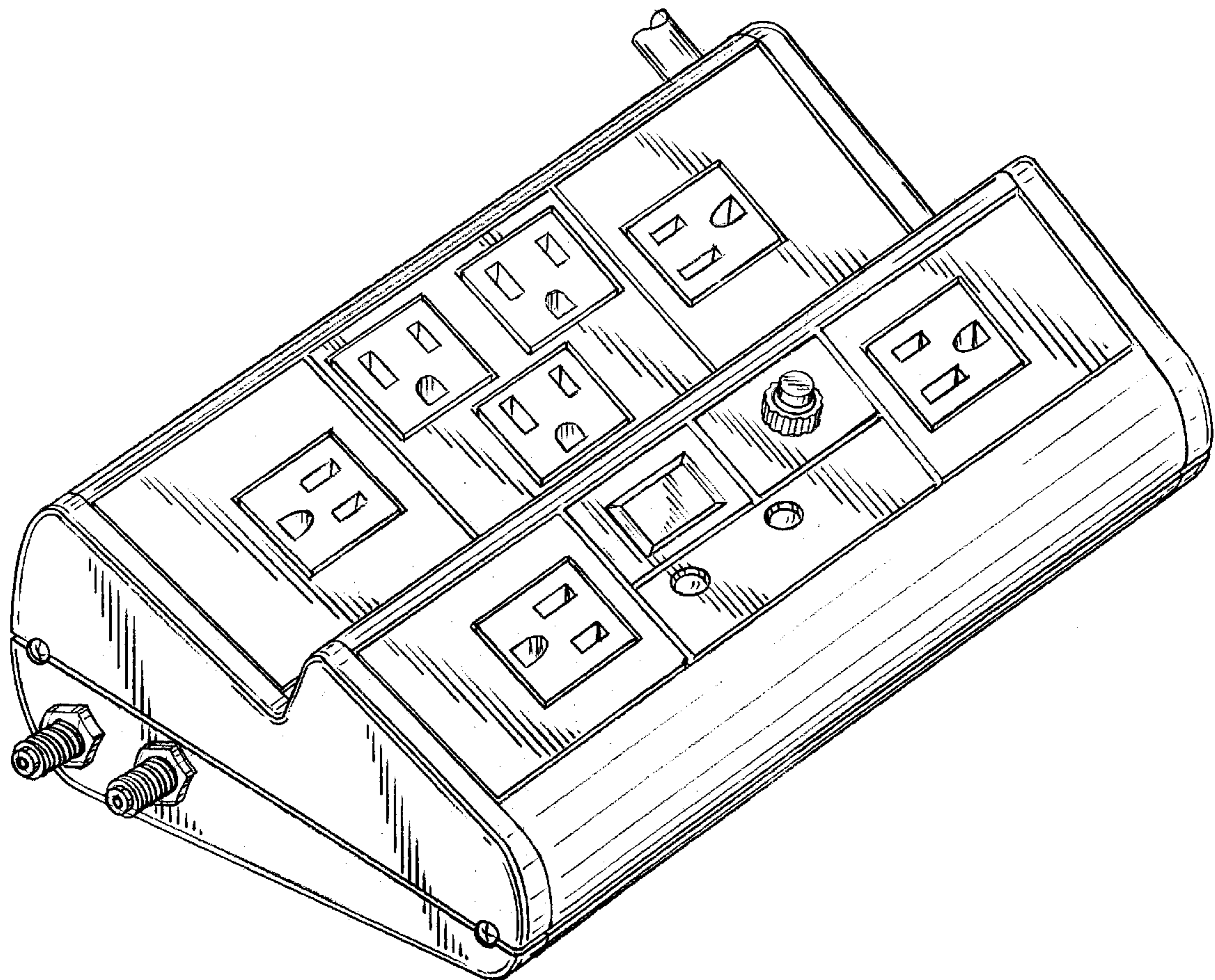
[57] **CLAIM**

I claim the ornamental design for an electrical outlet plug strip, as shown and described.

DESCRIPTION

FIG. 1 is a perspective view showing my new design; FIG. 2 is a top view of the embodiment shown in FIG. 1; FIG. 3 is a front view of the embodiment shown in FIG. 1; FIG. 4 is a first side view of the embodiment shown in FIG. 1; FIG. 5 is a second side view of the embodiment shown in FIG. 1; FIG. 6 is a rear view of the embodiment shown in FIG. 1; and, FIG. 7 is a bottom view of the embodiment shown in FIG. 1.

1 Claim, 3 Drawing Sheets



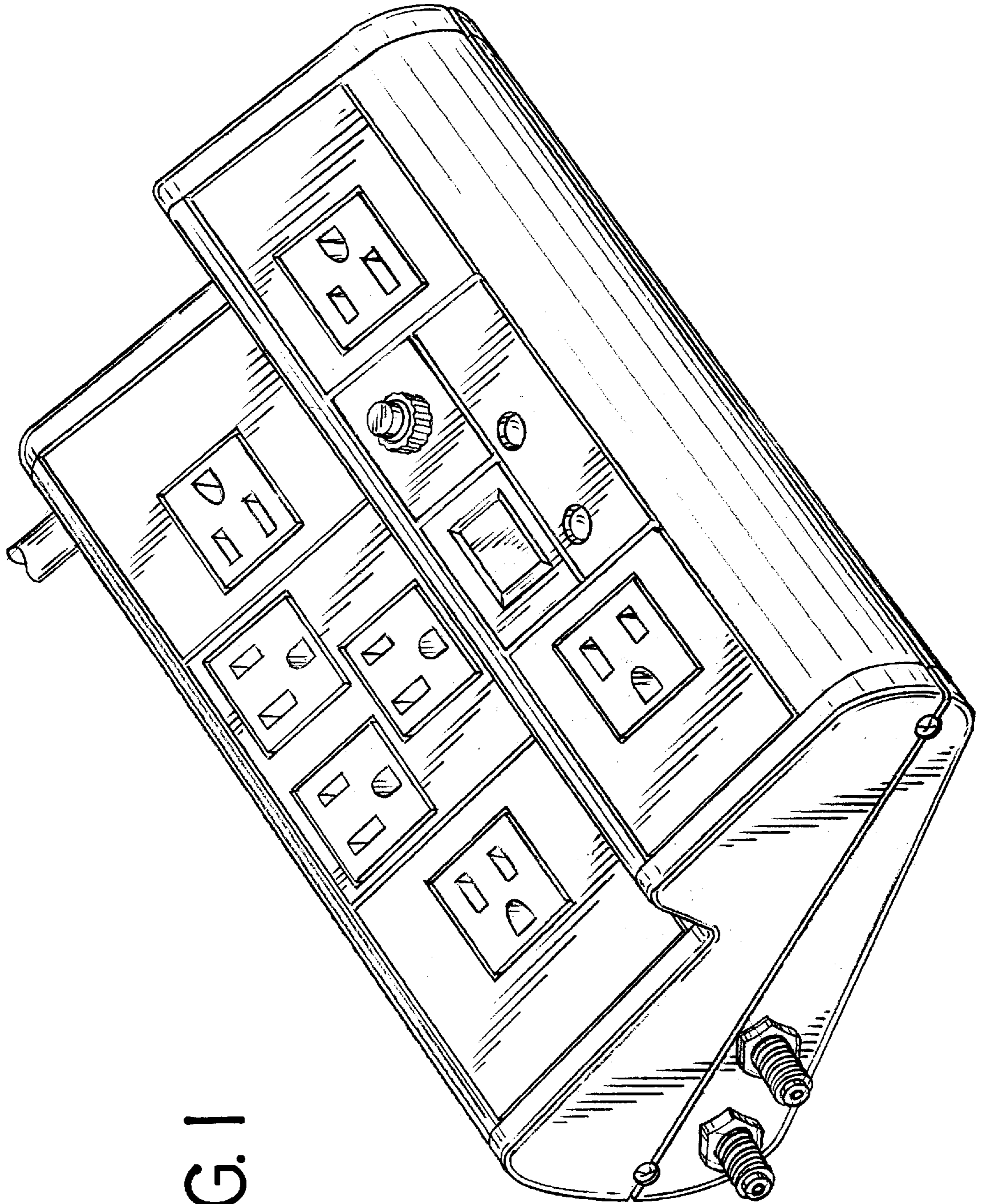


FIG. 1

FIG. 2

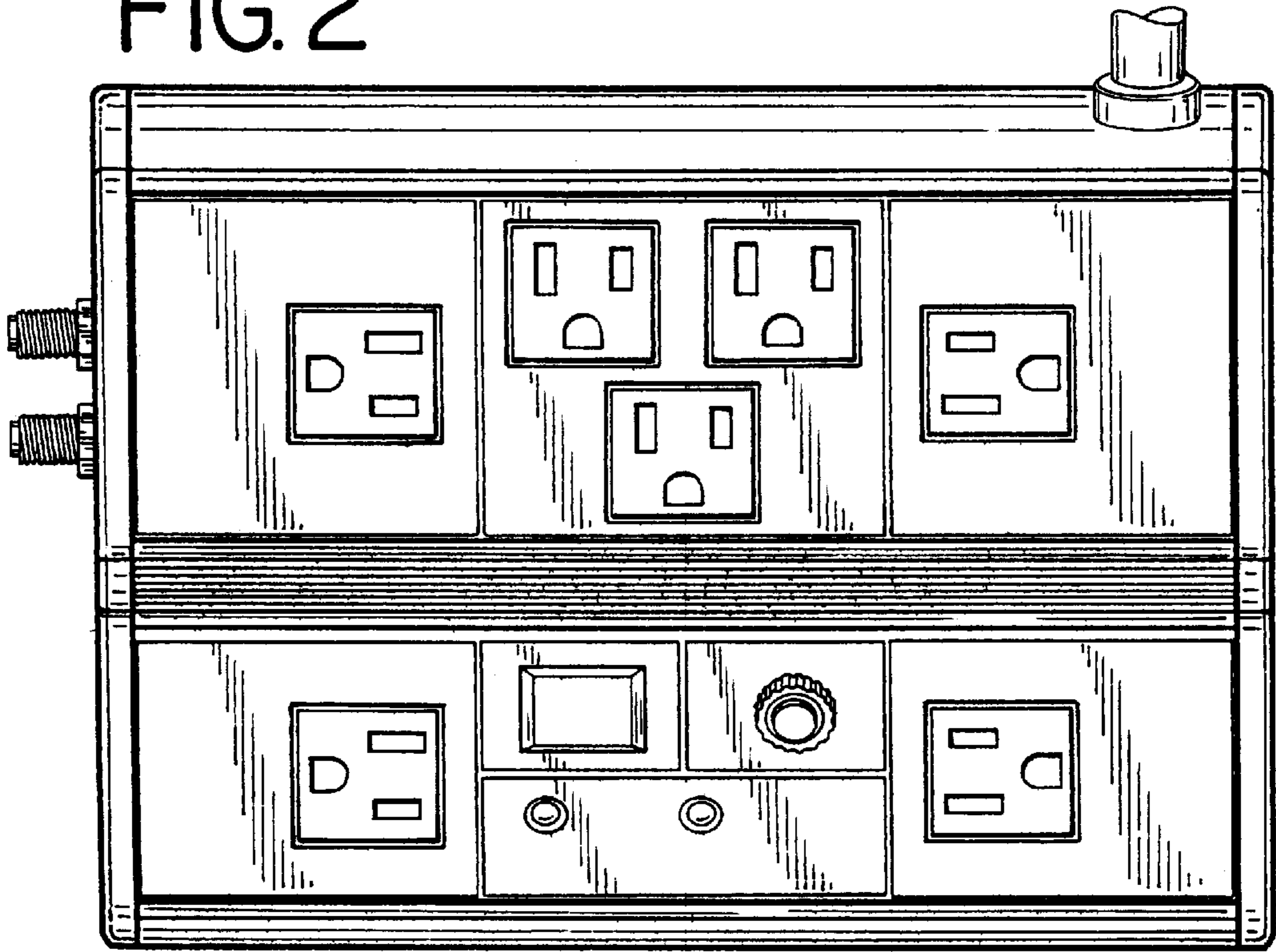


FIG. 3

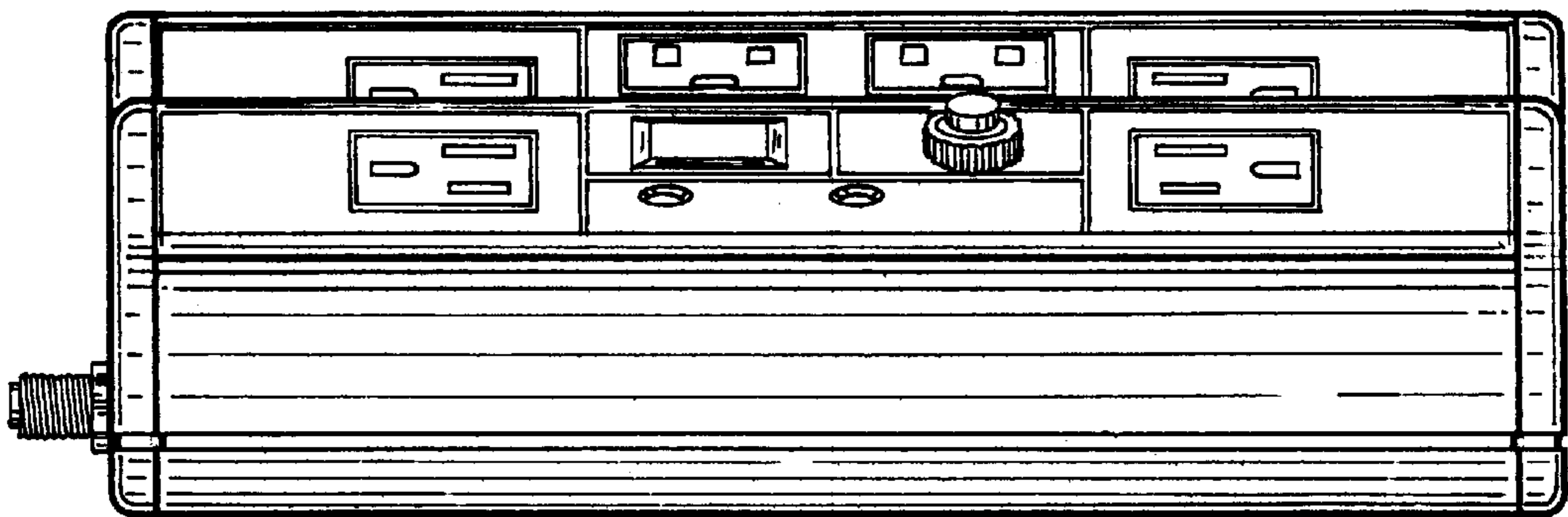


FIG. 4

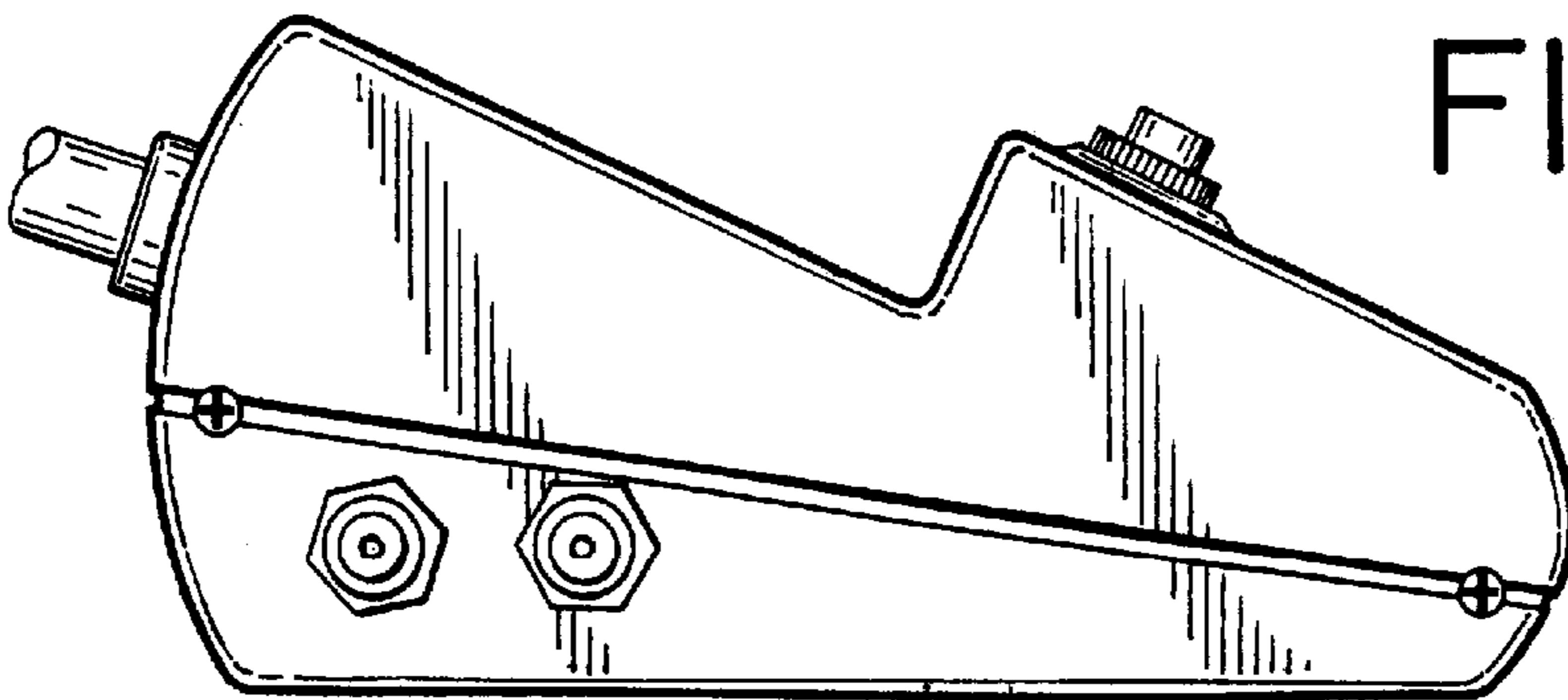


FIG. 5

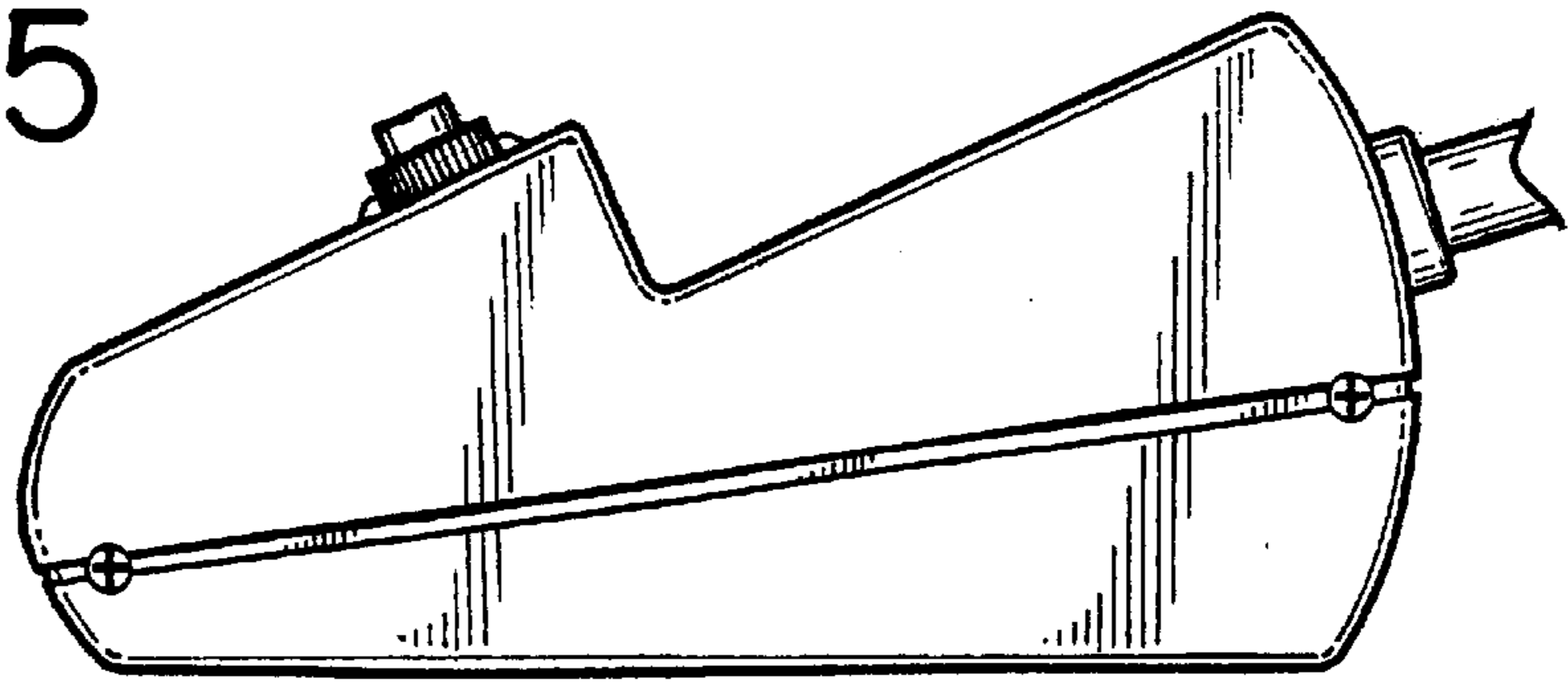


FIG. 6

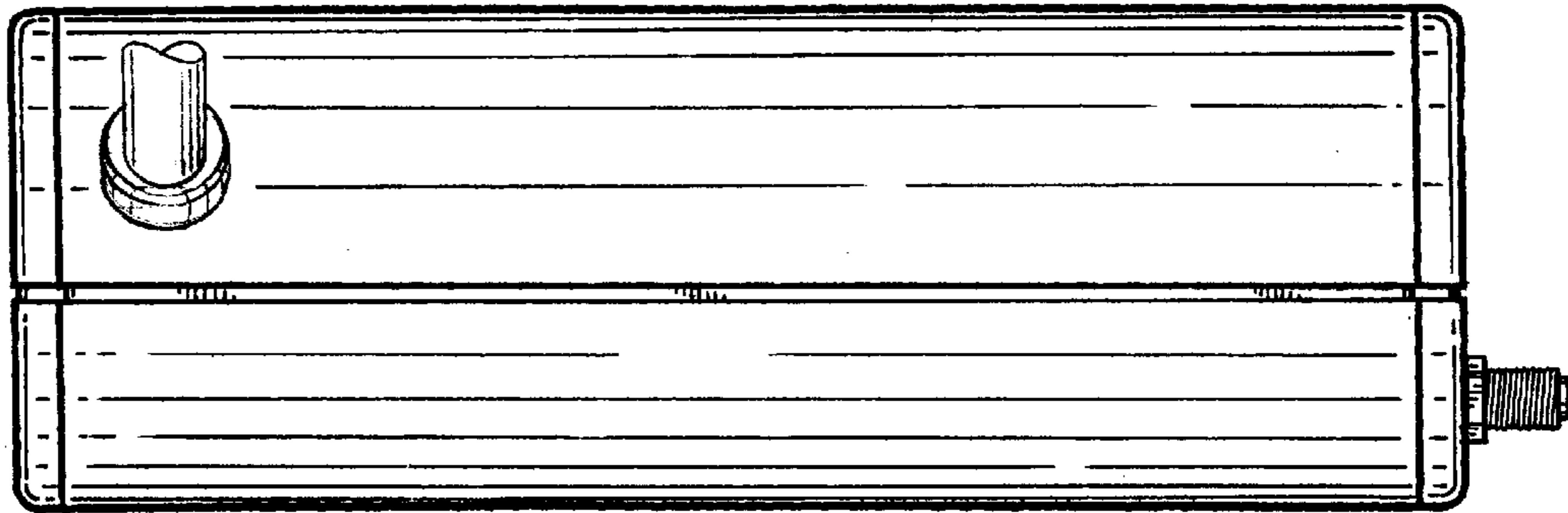


FIG. 7

