



US00D427971S

United States Patent [19]
Lee

[11] **Patent Number: Des. 427,971**

[45] **Date of Patent: ** Jul. 11, 2000**

[54] **BATTERY TERMINATION**

[75] Inventor: **Kendrew Lee**, Sunnyvale, Calif.

[73] Assignee: **Monster Cable Products, Inc.**,
Brisbane, Calif.

[**] Term: **14 Years**

[21] Appl. No.: **29/108,421**

[22] Filed: **Jul. 26, 1999**

[51] **LOC (7) Cl.** **13-03**

[52] **U.S. Cl.** **D13/120**

[58] **Field of Search** D13/120, 146;
439/623, 763, 766, 764, 796, 798; 429/178

[56] **References Cited**

U.S. PATENT DOCUMENTS

D. 301,243	5/1989	Chino	D14/217
2,021,399	11/1935	Becker, Sr. et al.	439/798
3,795,891	3/1974	Bailey	439/388
4,124,271	11/1978	Green	385/21
4,382,651	5/1983	Klosin et al.	439/359
4,659,166	4/1987	Morningstar et al.	439/580
5,171,169	12/1992	Butcher et al.	439/755
5,266,057	11/1993	Angel, Jr. et al.	439/724
5,358,422	10/1994	Schaffer	439/346

5,574,440	11/1996	Kurtz	340/825.57
5,599,210	2/1997	Green	439/763
5,707,258	1/1998	Pilotti	439/763

Primary Examiner—Joel Sincavage
Attorney, Agent, or Firm—LaRiviere, Grubman & Payne, LLP

[57] **CLAIM**

The ornamental design for a battery termination, as shown.

DESCRIPTION

FIG. 1 is a perspective view of the battery termination according to the present invention.

FIG. 2 is a top view of the battery termination shown in FIG. 1.

FIG. 3 is a side view of the battery termination shown in FIG. 1.

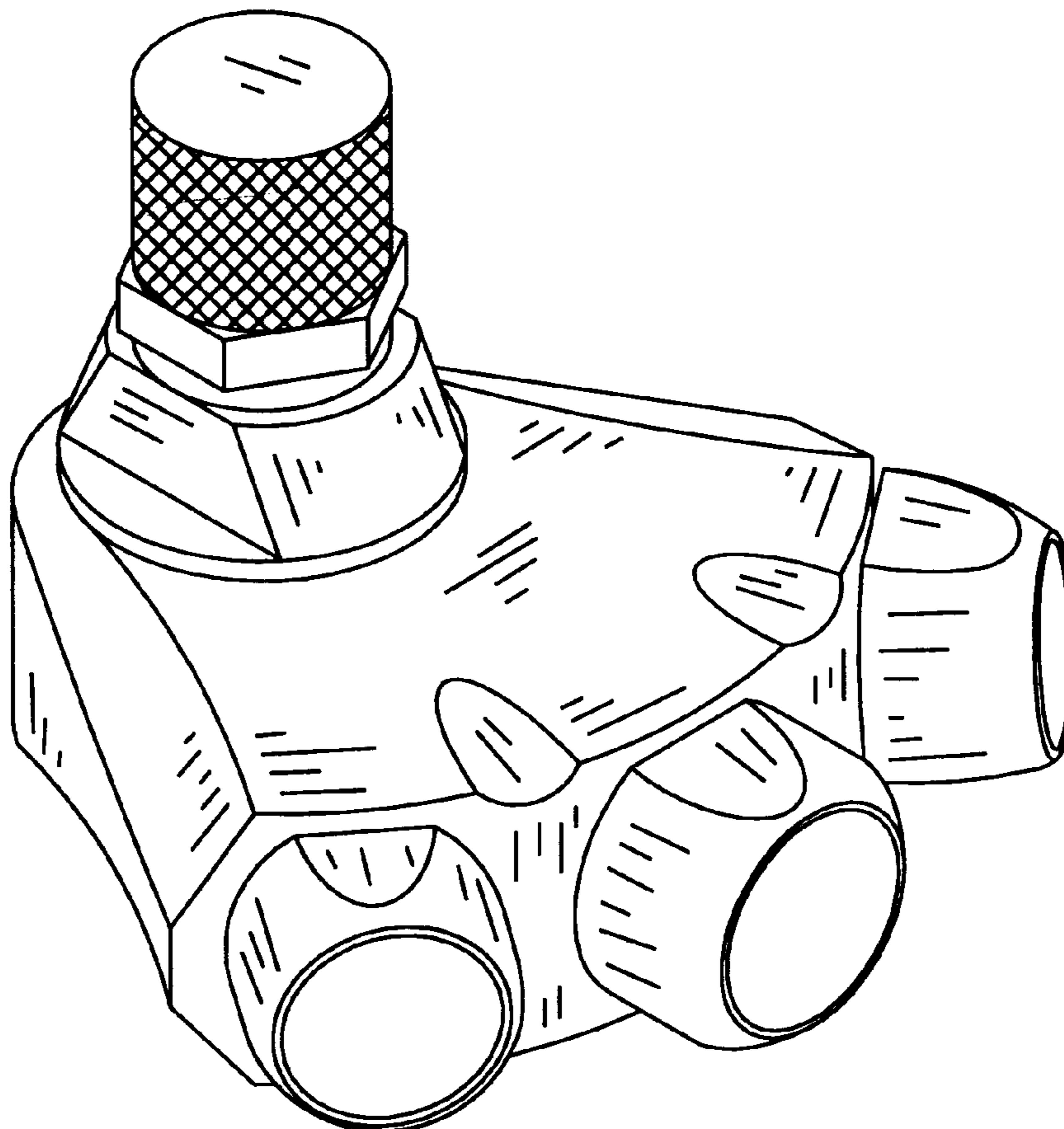
FIG. 4 is a rear view of the battery termination shown in FIG. 1.

FIG. 5 is a bottom view of the battery termination shown in FIG. 1.

FIG. 6 is a front view of the battery termination shown in FIG. 1; and,

FIG. 7 is a side view of the battery termination shown in FIG. 1.

1 Claim, 4 Drawing Sheets



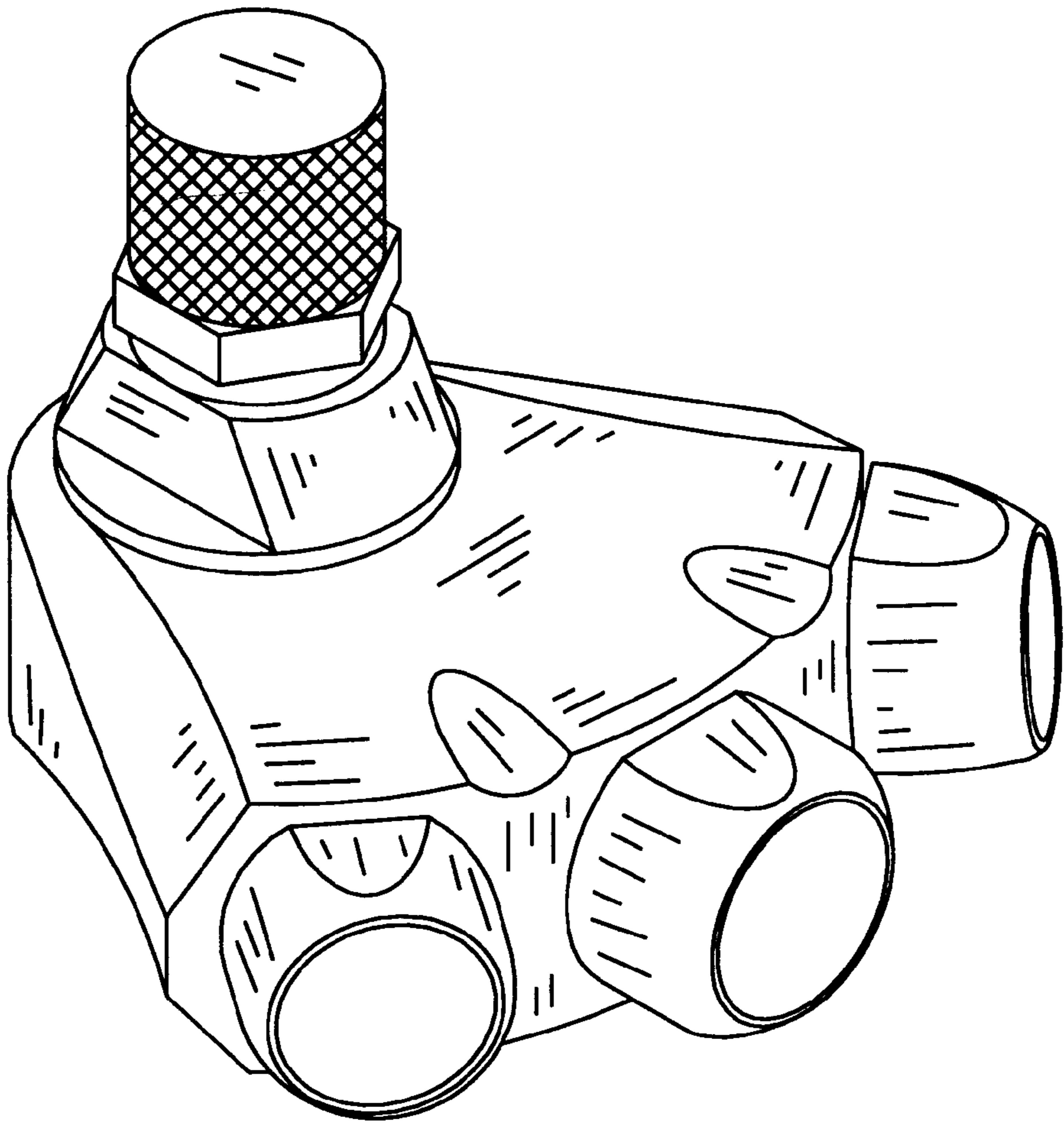


FIG. 1

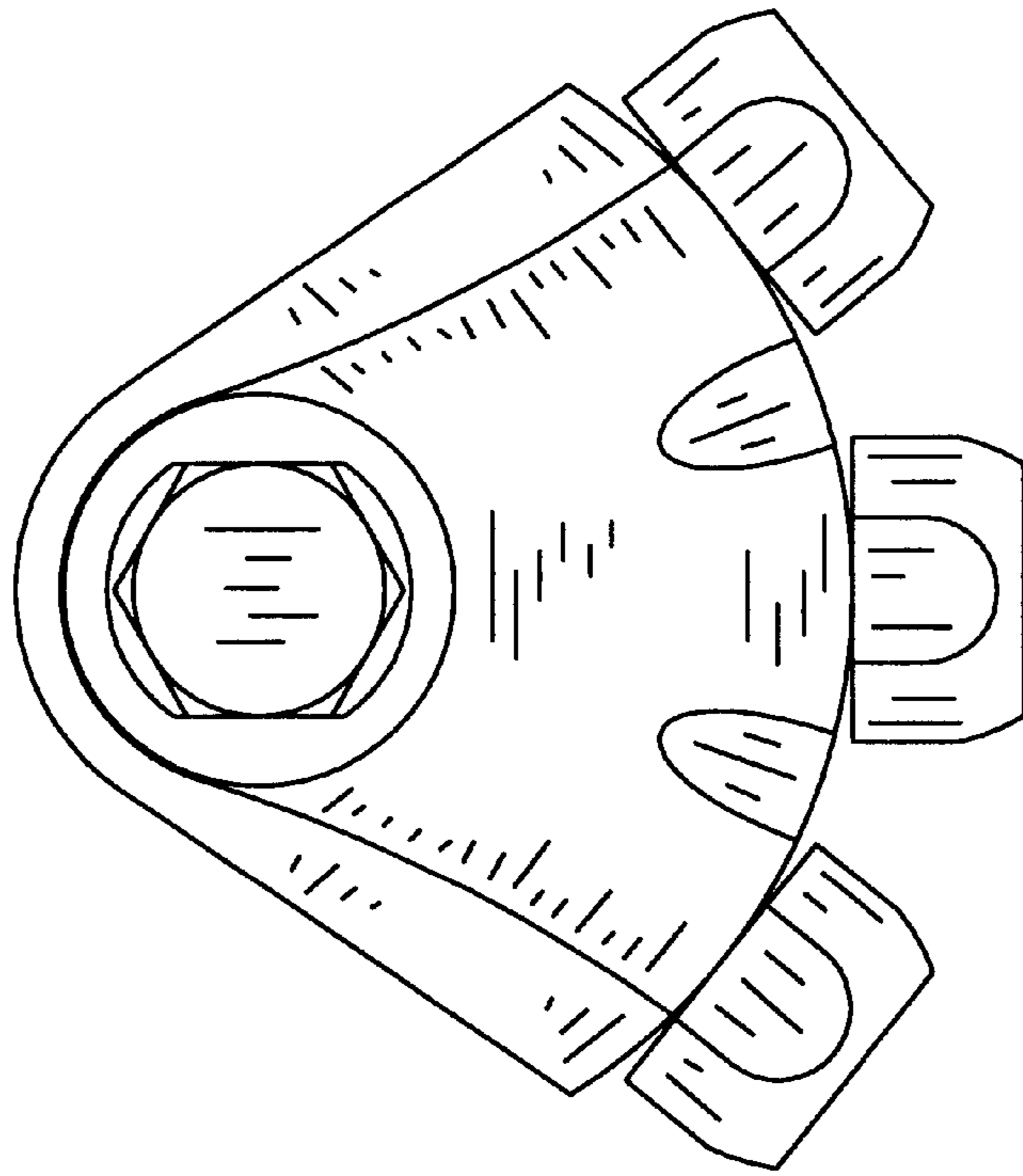


FIG. 2

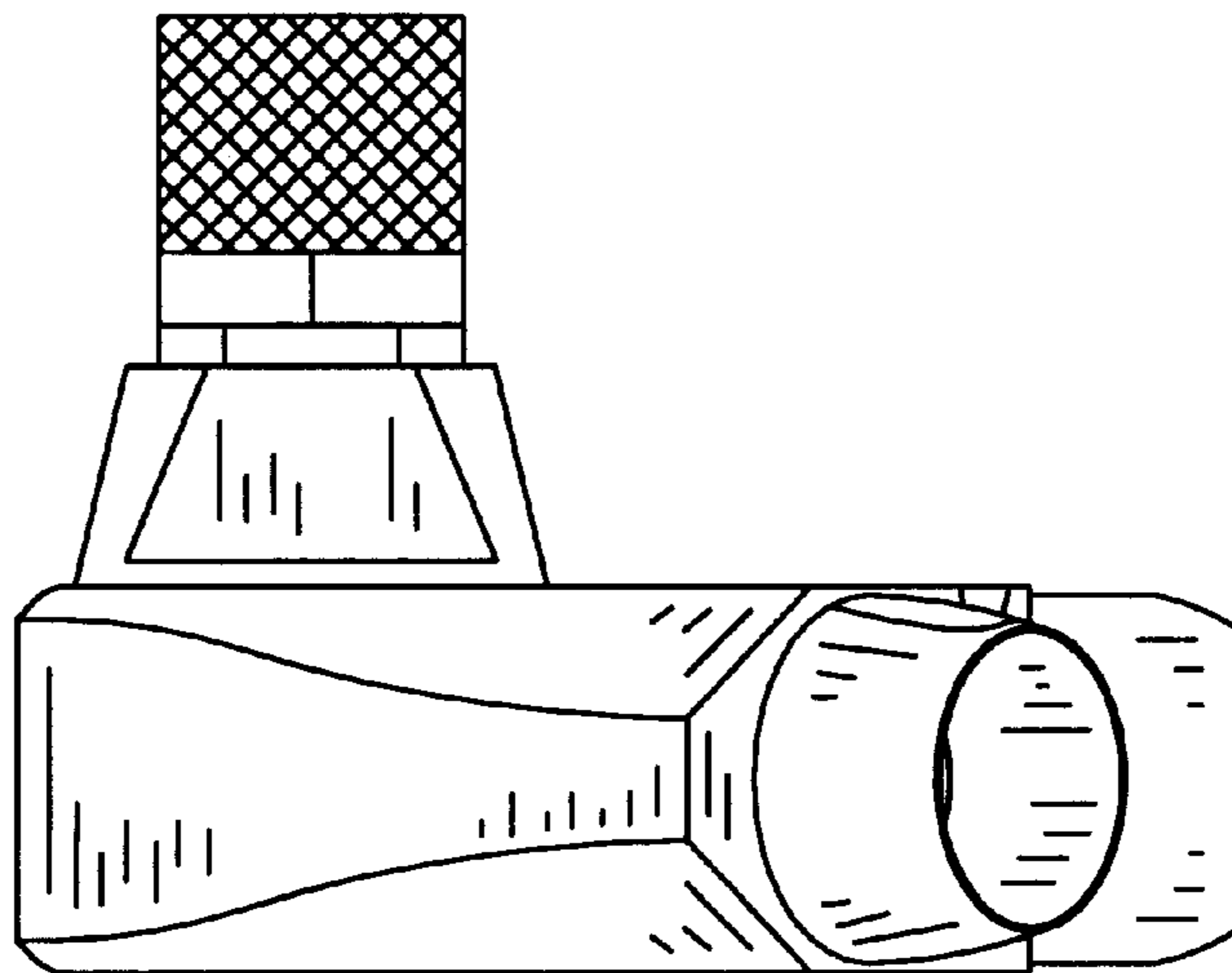


FIG. 3

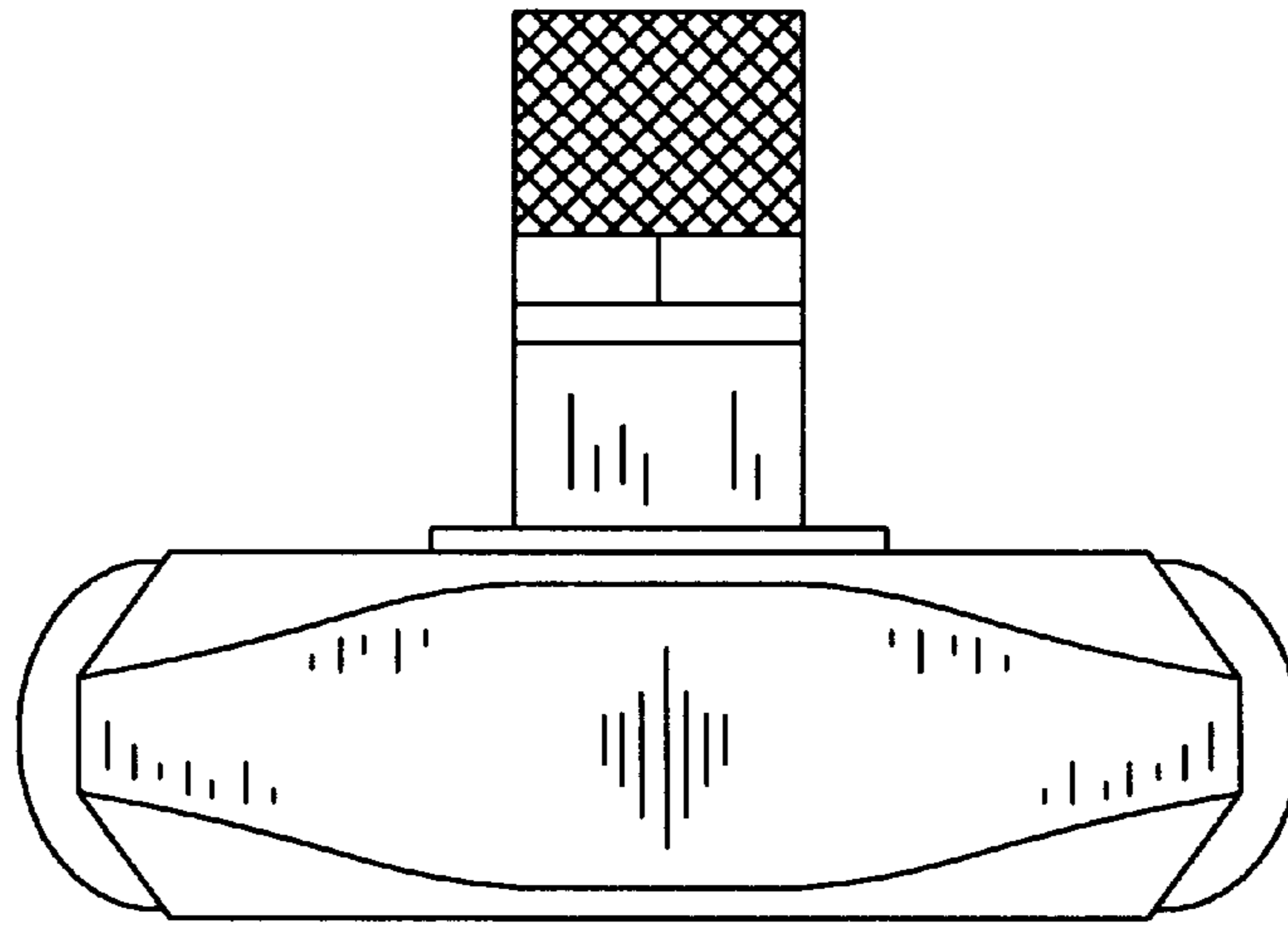


FIG. 4

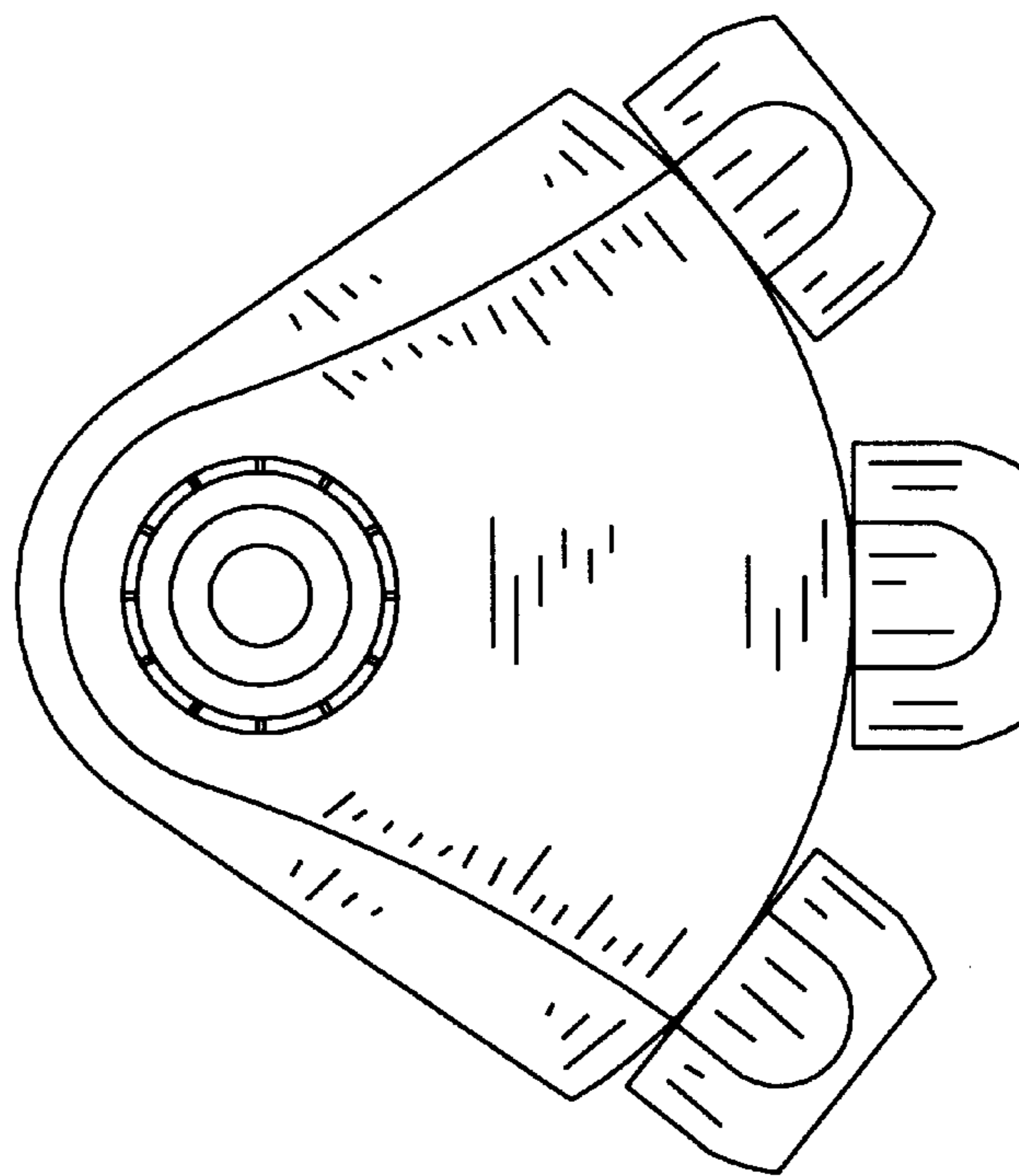


FIG. 5

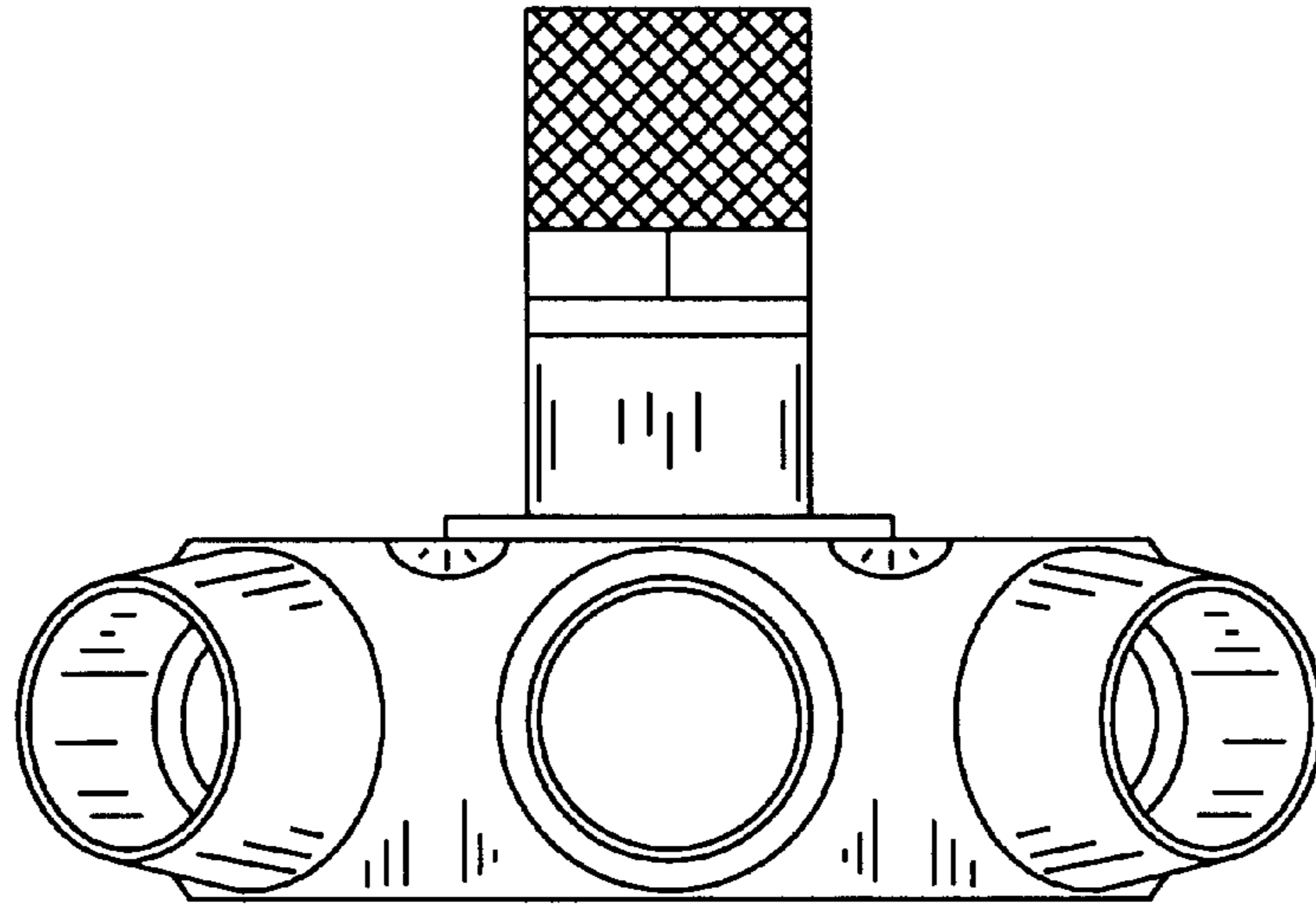


FIG. 6

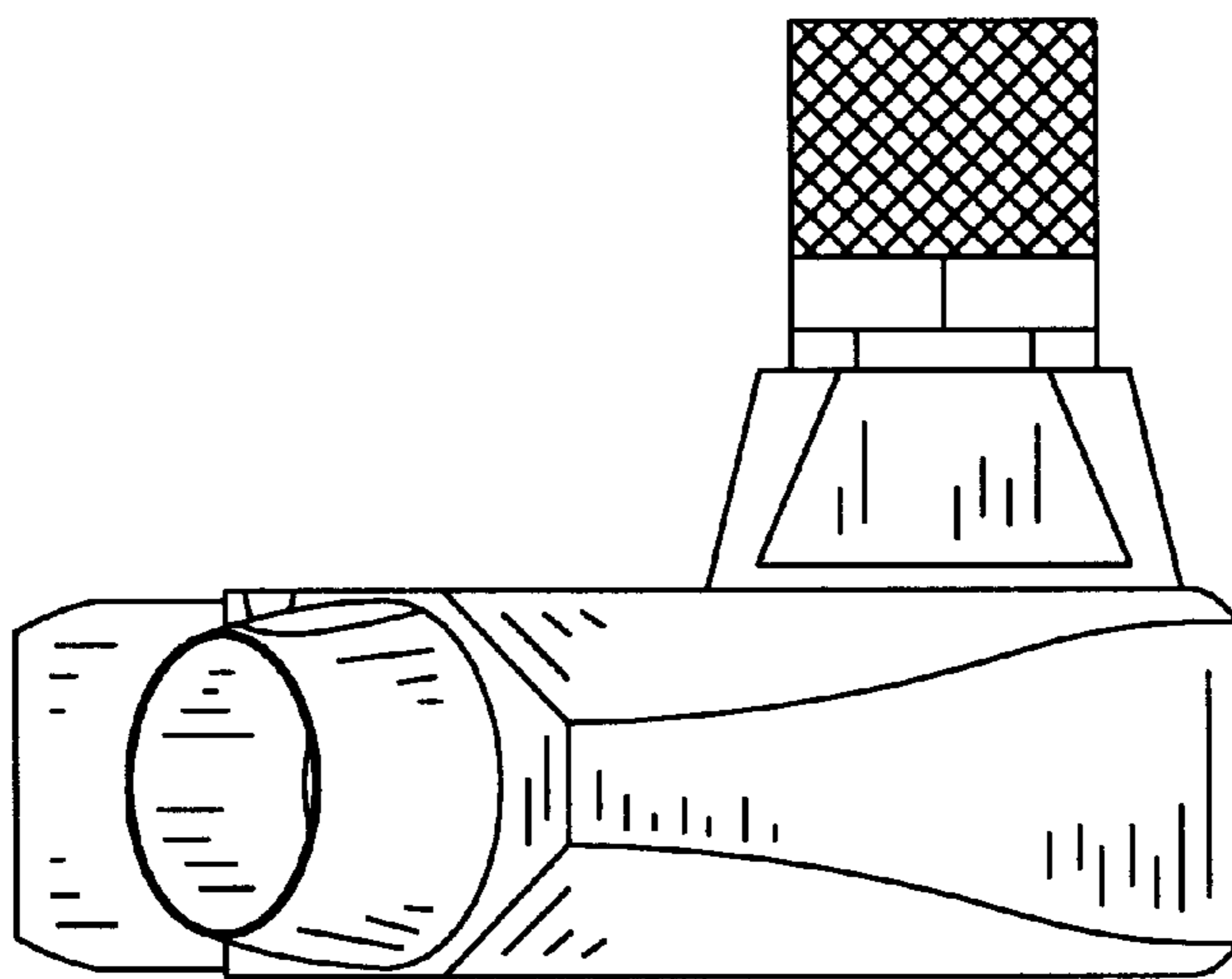


FIG. 7