



US00D427967S

United States Patent [19]

Lloyd et al.

[11] Patent Number: Des. 427,967

[45] Date of Patent: ** Jul. 11, 2000

[54] DESKTOP CHARGER

[75] Inventors: Grant Harries Lloyd; Willard Francis Amero, Jr., both of Lawrenceville, Ga.

[73] Assignee: Motorola, Inc., Schaumburg, Ill.

[**] Term: 14 Years

[21] Appl. No.: 29/114,190

[22] Filed: Nov. 19, 1999

[51] LOC (7) Cl. 13-02

[52] U.S. Cl. D13/107; D13/108

[58] Field of Search D13/107, 108, D13/118; D14/251, 253; 320/110-115

[56] References Cited

U.S. PATENT DOCUMENTS

D. 368,892	4/1996	Tanaka	D13/108
D. 385,252	10/1997	Snyder et al.	D13/108
D. 412,487	8/1999	Nagele et al.	D13/108
D. 413,097	8/1999	Chang	D13/107
D. 414,742	10/1999	Chang	D13/107
D. 417,430	12/1999	Ko	D13/107
D. 419,956	2/2000	Lucaci et al.	D13/108

Primary Examiner—Joel Sincavage

Attorney, Agent, or Firm—Felipe J. Farley; Philip H. Burrus, IV

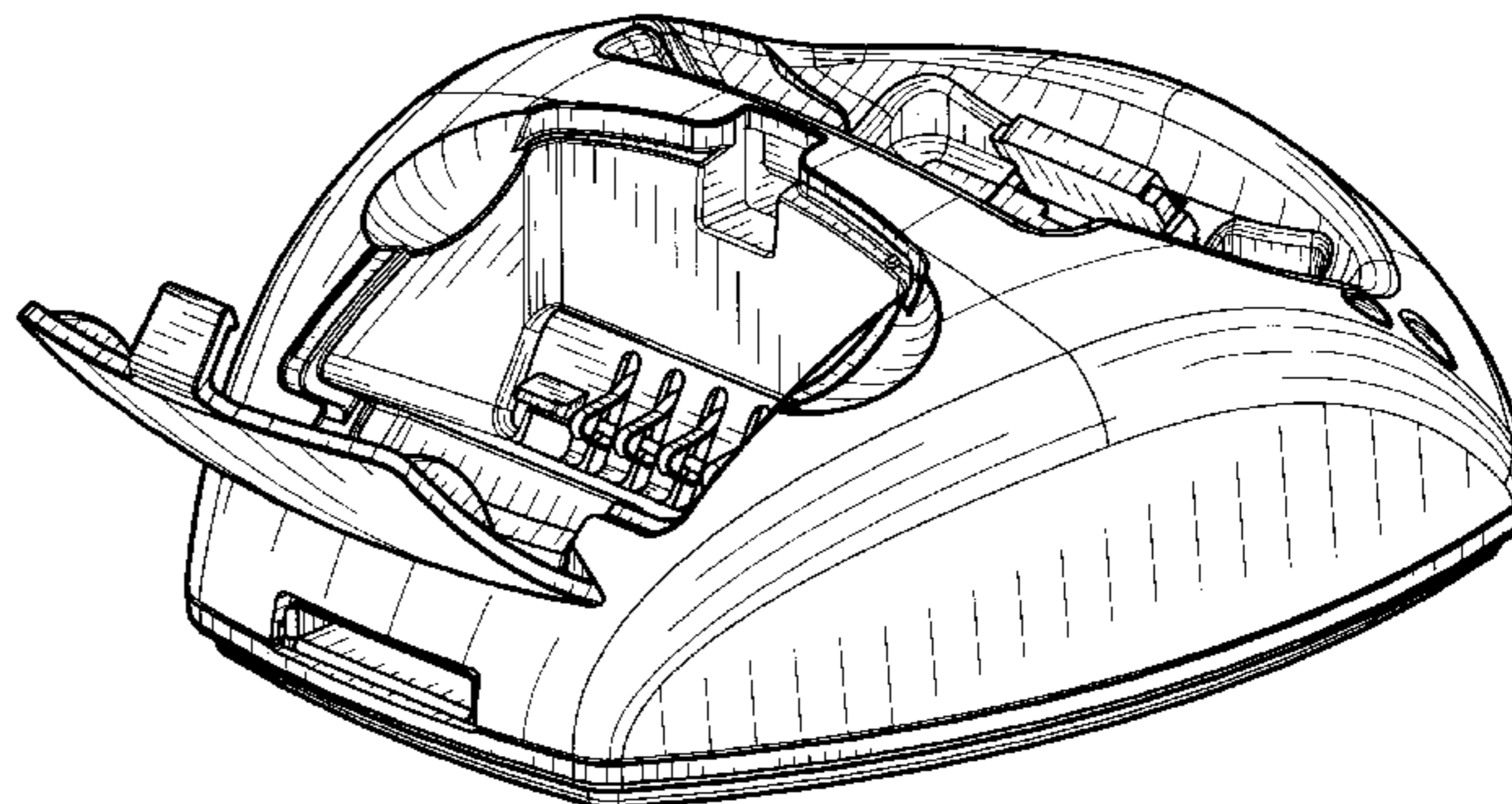
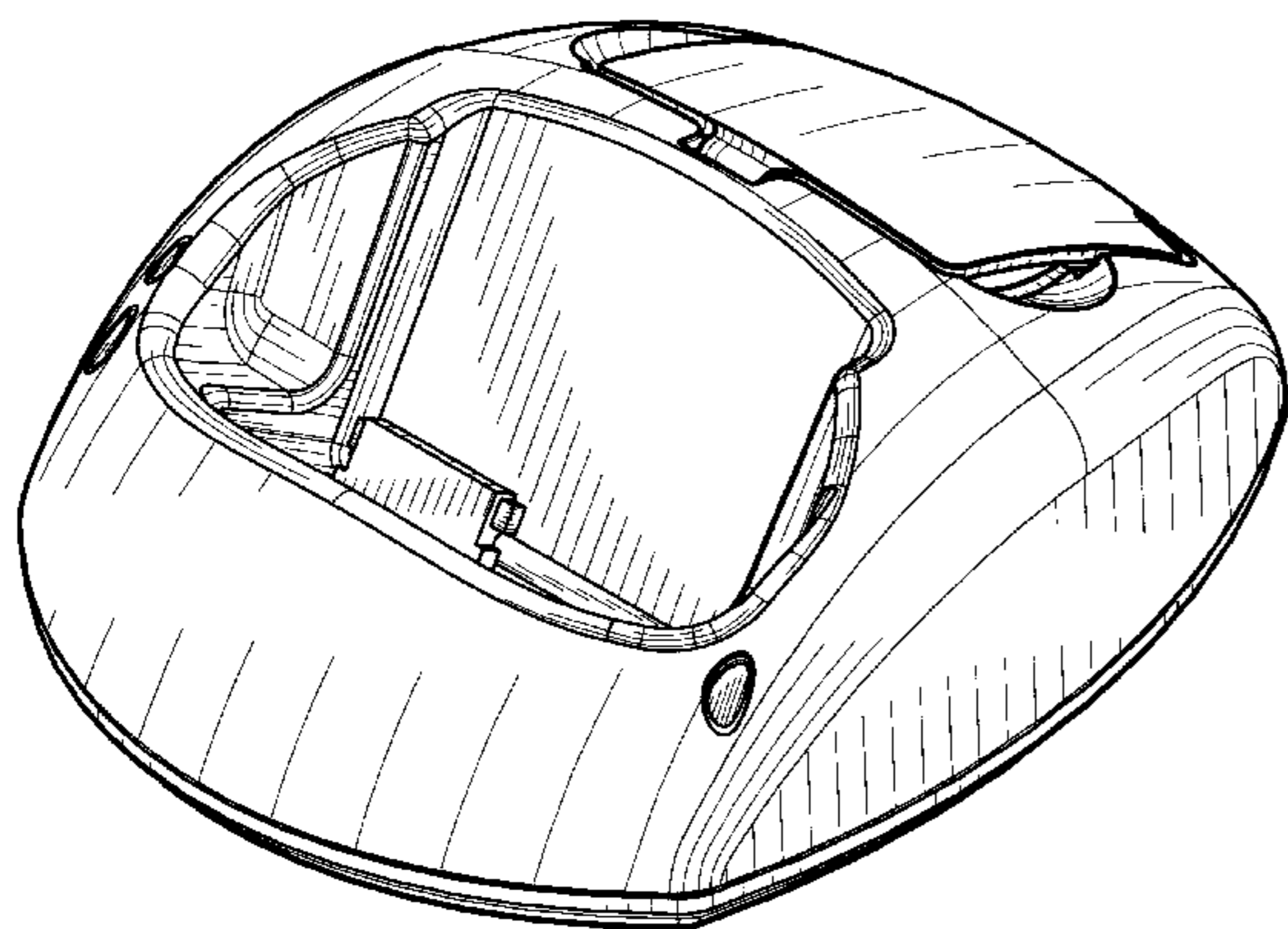
[57] CLAIM

The ornamental design for a/an desktop charger, as shown and described.

DESCRIPTION

FIG. 1 is a front, left, top isometric view of a desktop charger with battery door closed showing our new design;
 FIG. 2 is a rear, left, isometric view thereof;
 FIG. 3 is a right elevated view thereof;
 FIG. 4 is a left elevated view thereof;
 FIG. 5 is a front elevated view thereof;
 FIG. 6 is a rear elevated view thereof;
 FIG. 7 is a top plan view thereof; and
 FIG. 8 is a bottom plan view thereof.
 FIG. 9 is a front, left, top isometric view of a desktop charger with battery door open;
 FIG. 10 is a rear, left, isometric view thereof;
 FIG. 11 is a right elevated view thereof;
 FIG. 12 is a left elevated view thereof;
 FIG. 13 is a front elevated view thereof;
 FIG. 14 is a rear elevated view thereof;
 FIG. 15 is a top plan view thereof; and,
 FIG. 16 is a bottom plan view thereof.

1 Claim, 16 Drawing Sheets



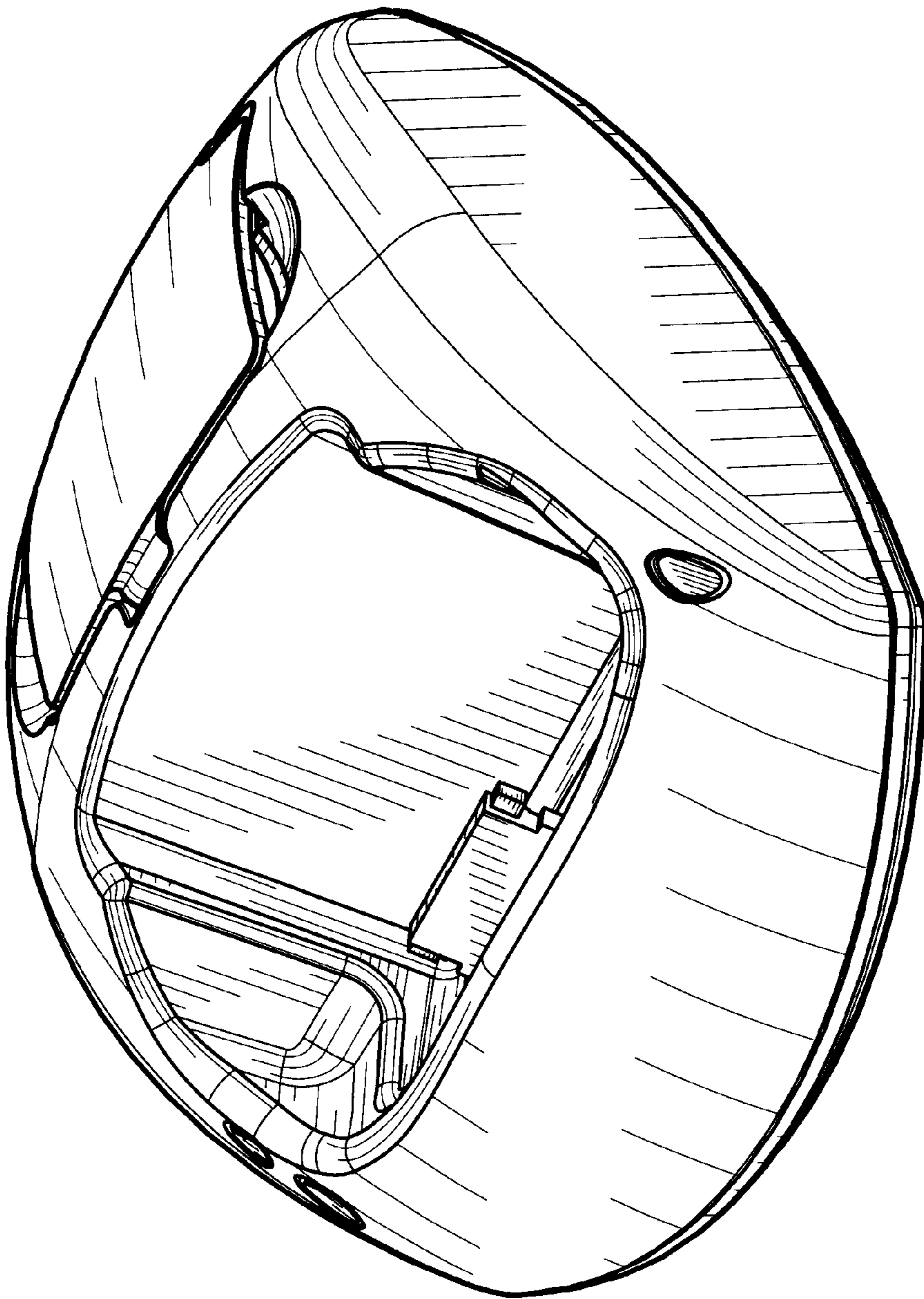


FIG. 1

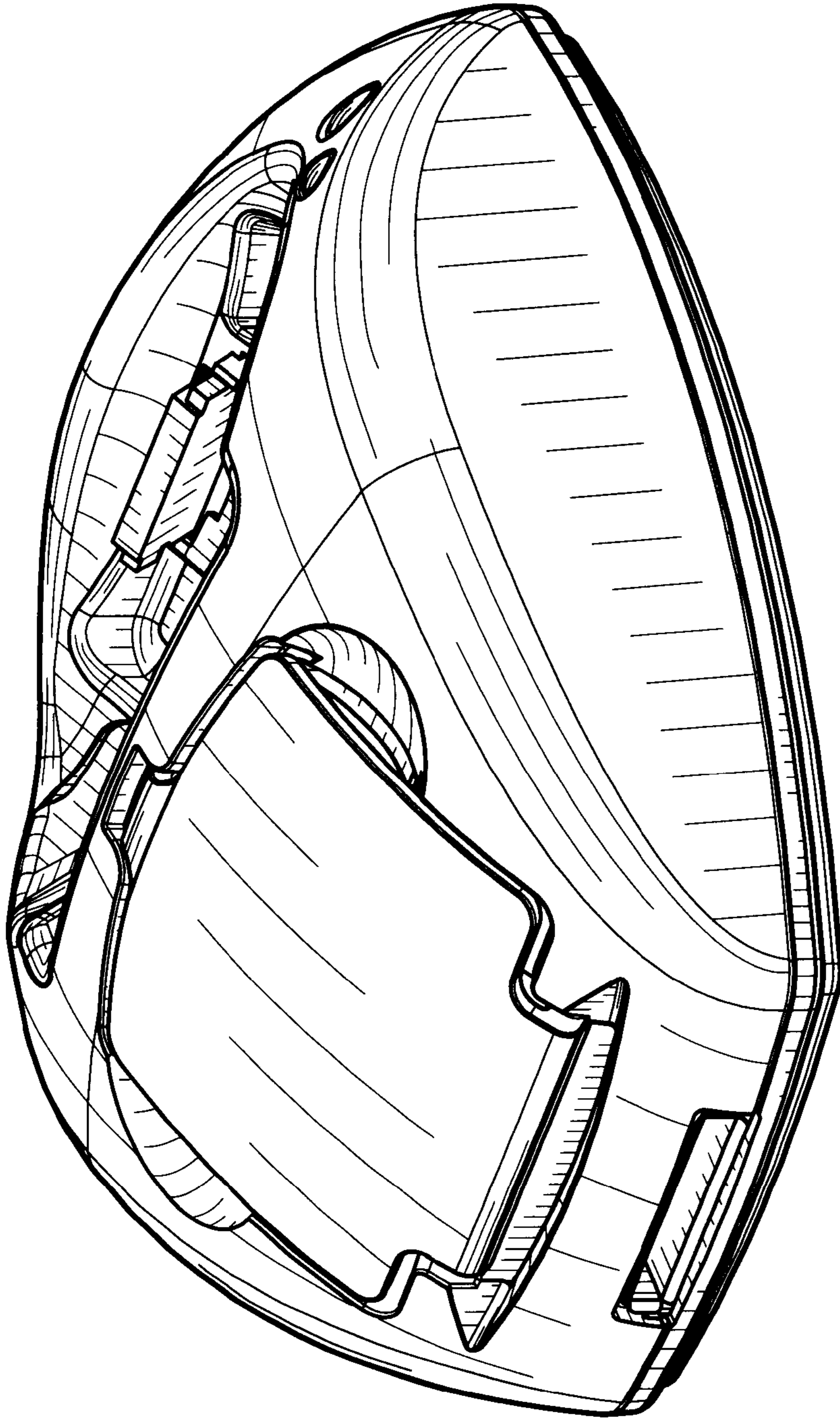


FIG. 2

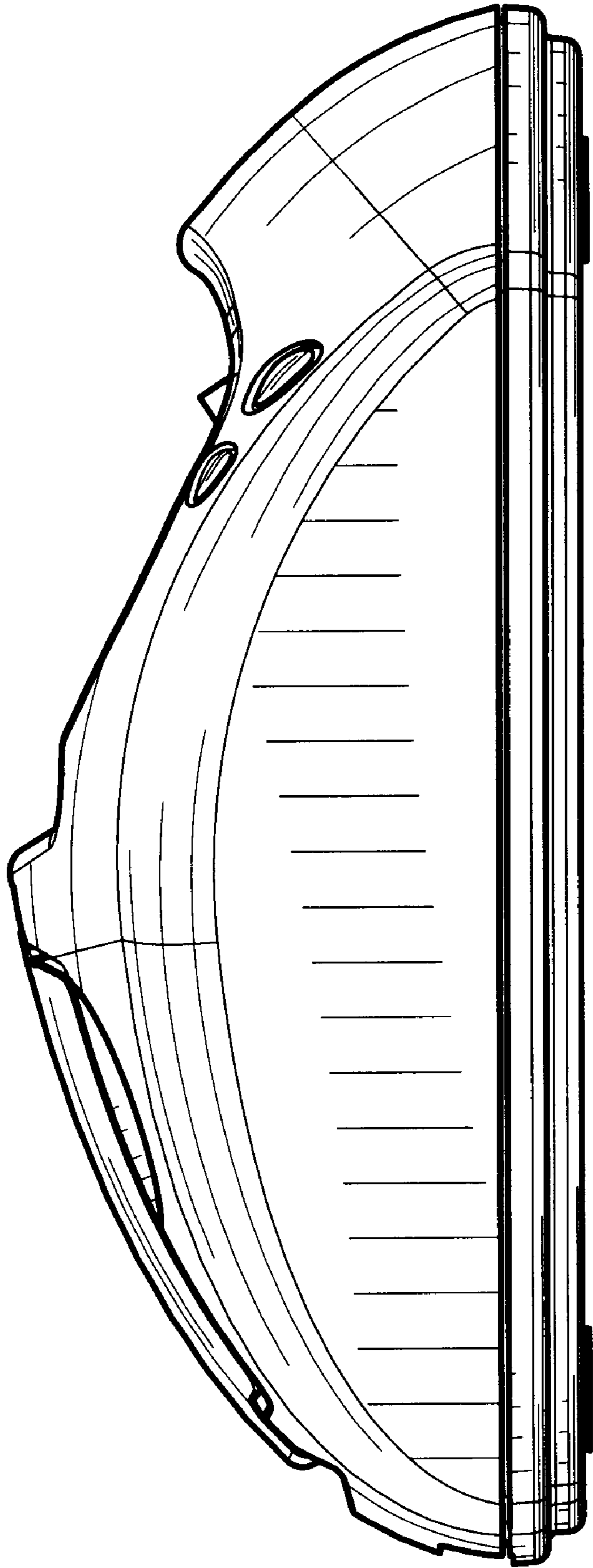


FIG. 3

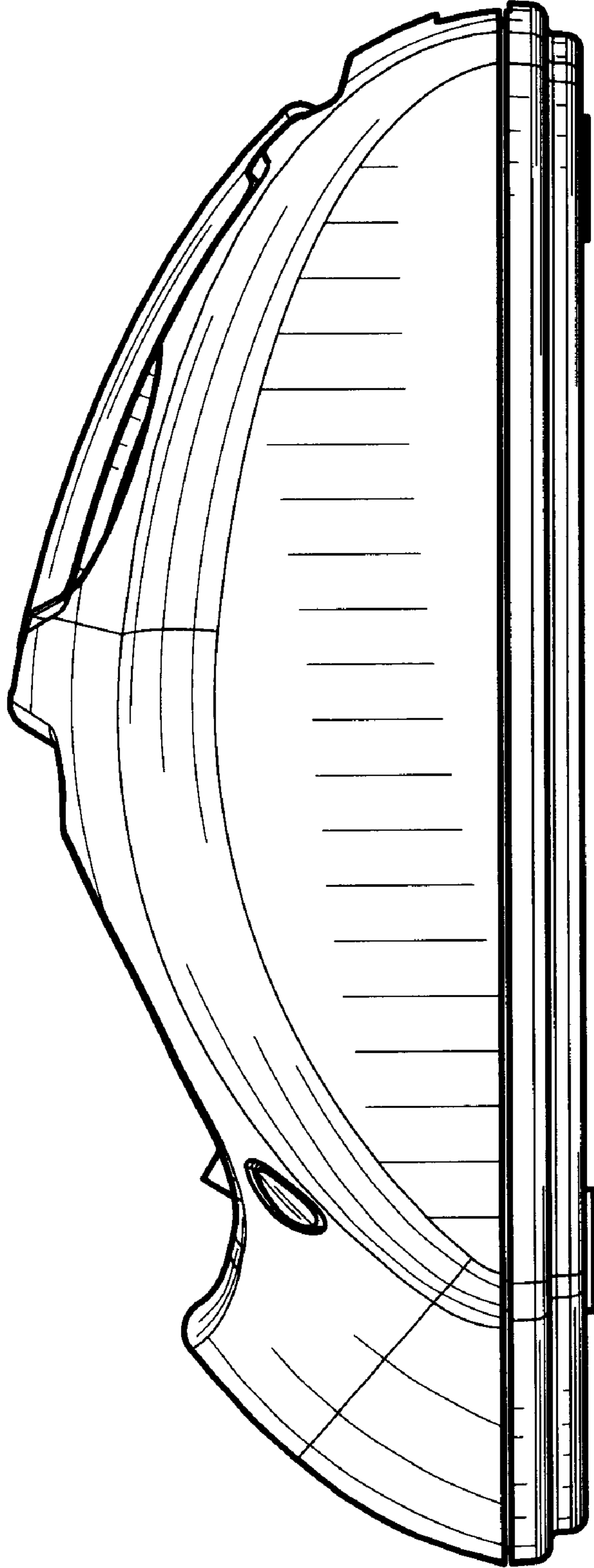


FIG. 4

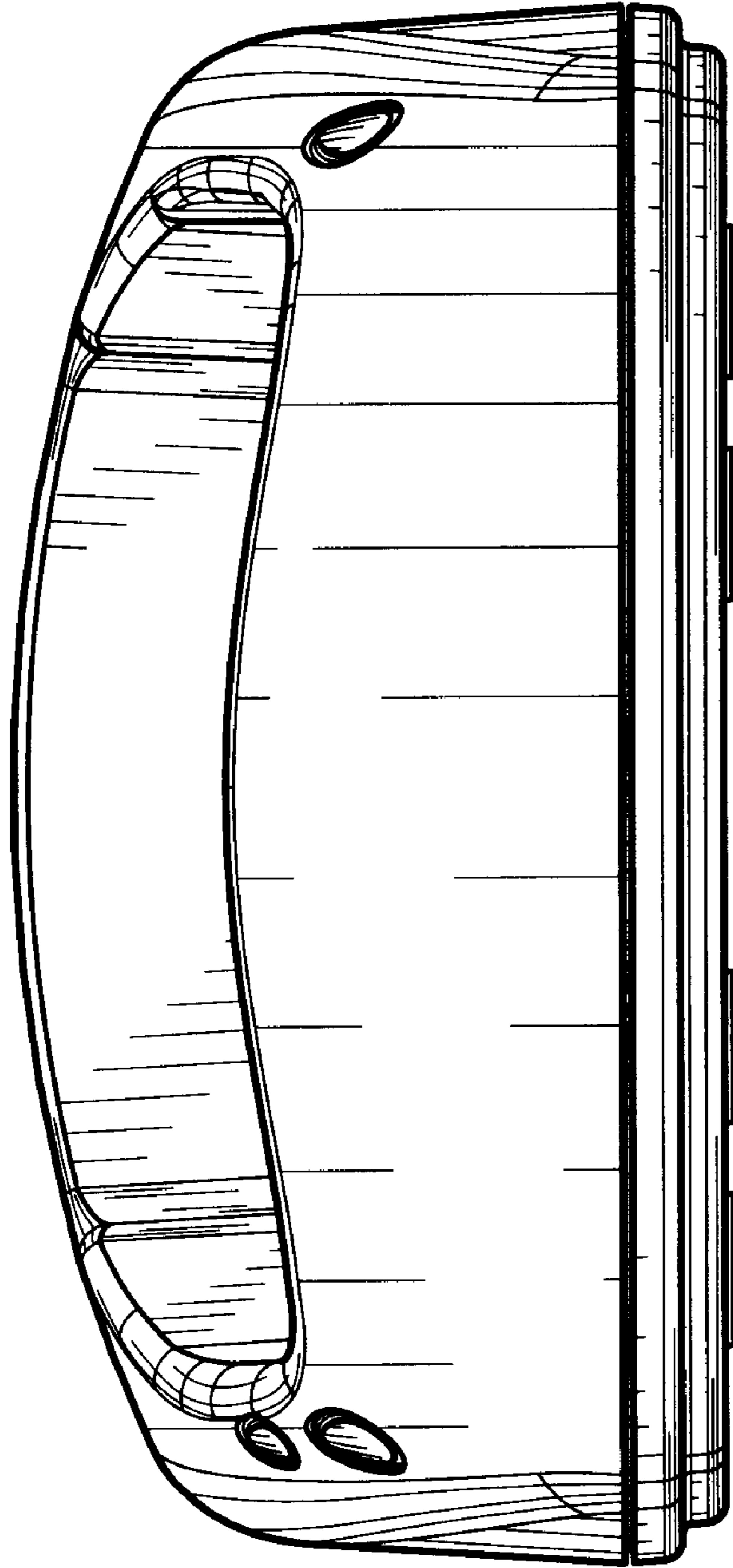


FIG. 5

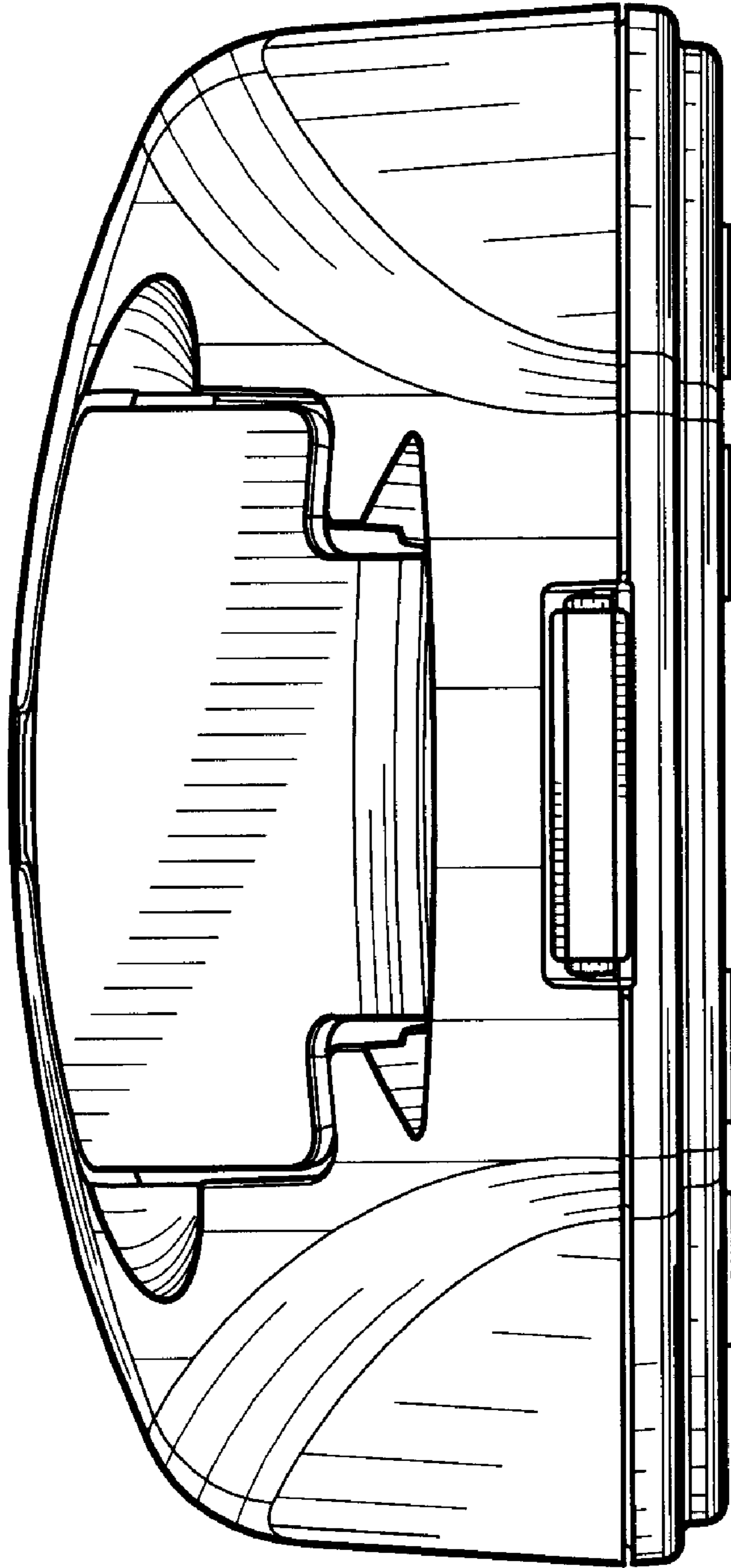


FIG. 6

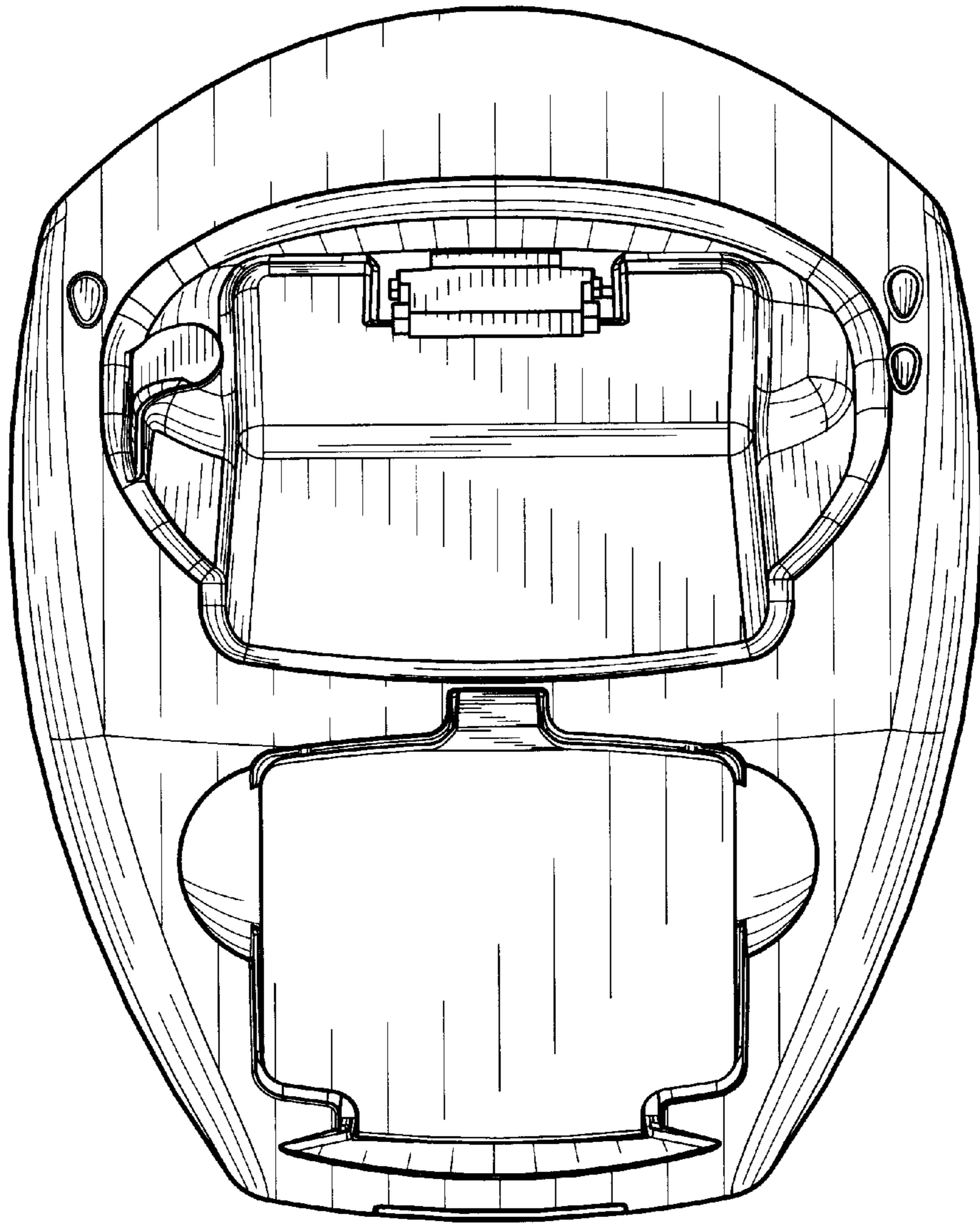


FIG. 7

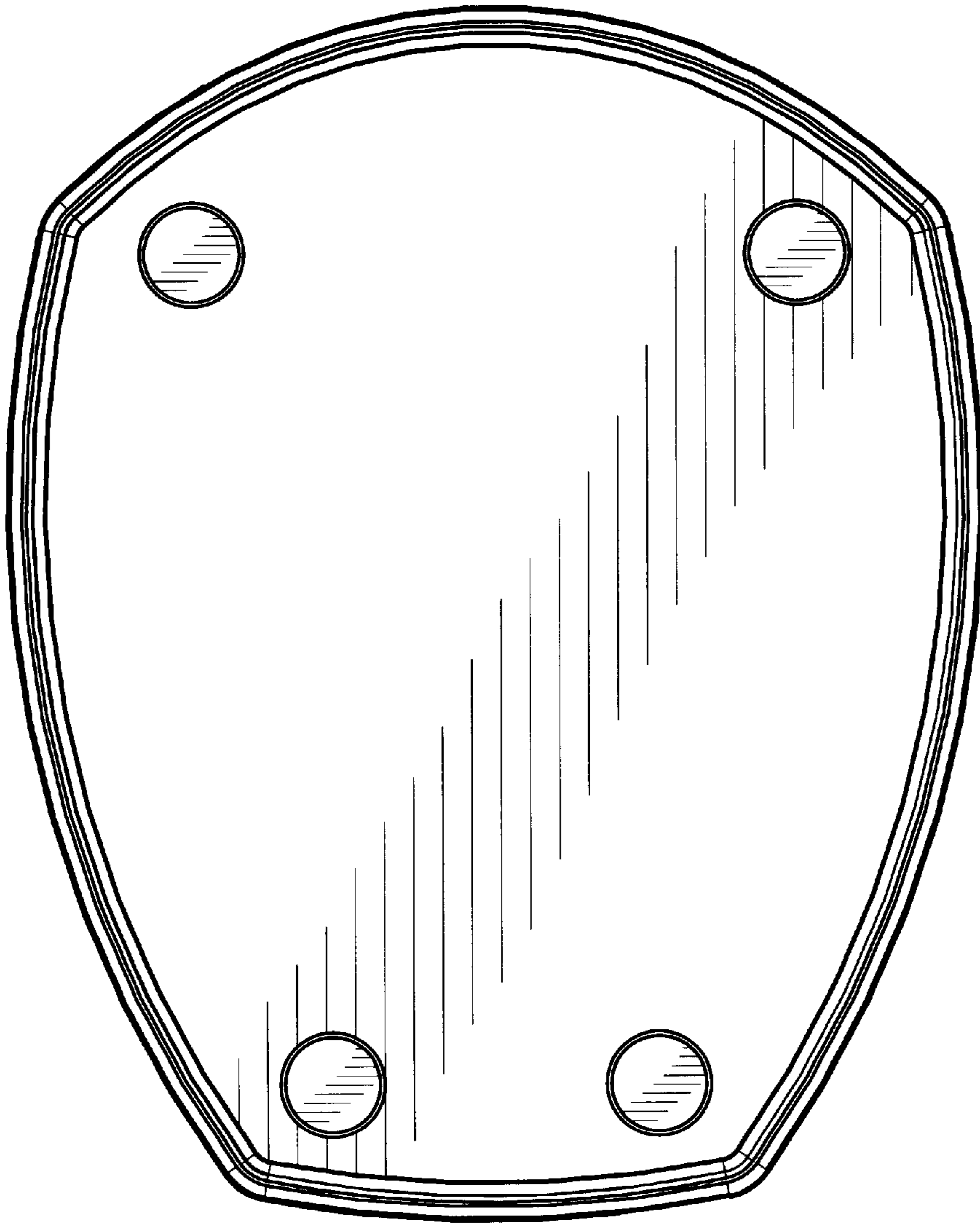


FIG. 8

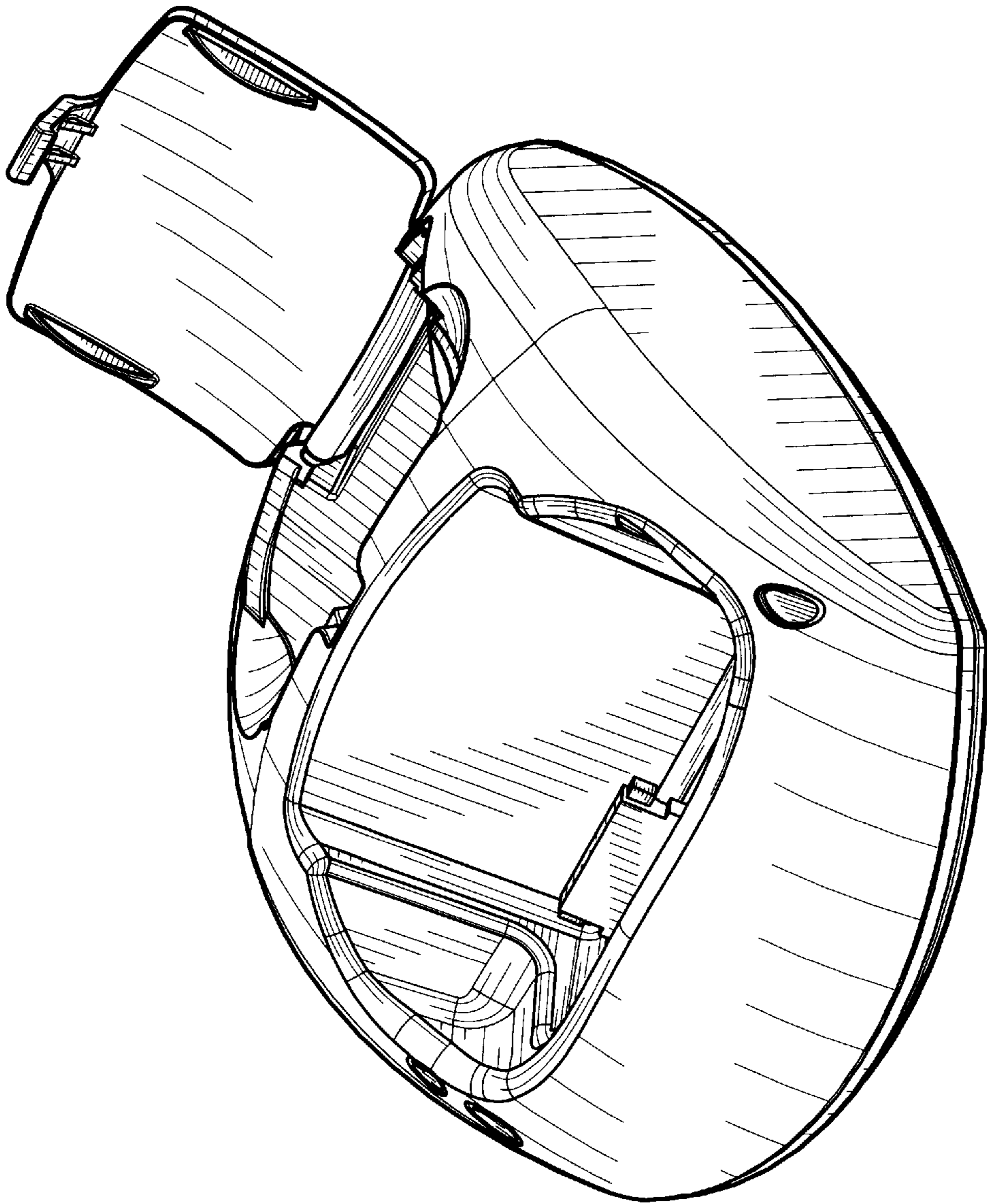


FIG. 9

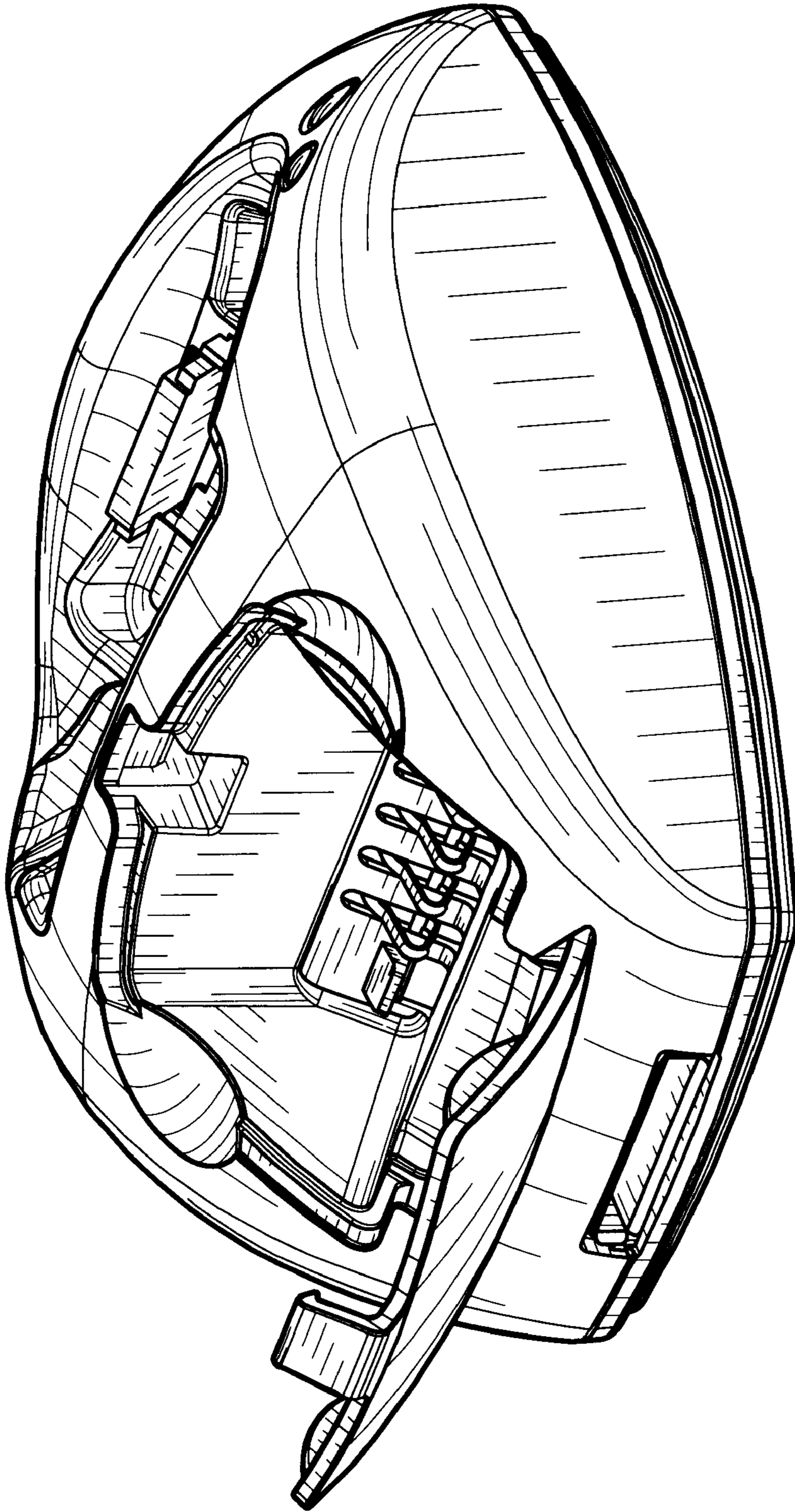


FIG. 10

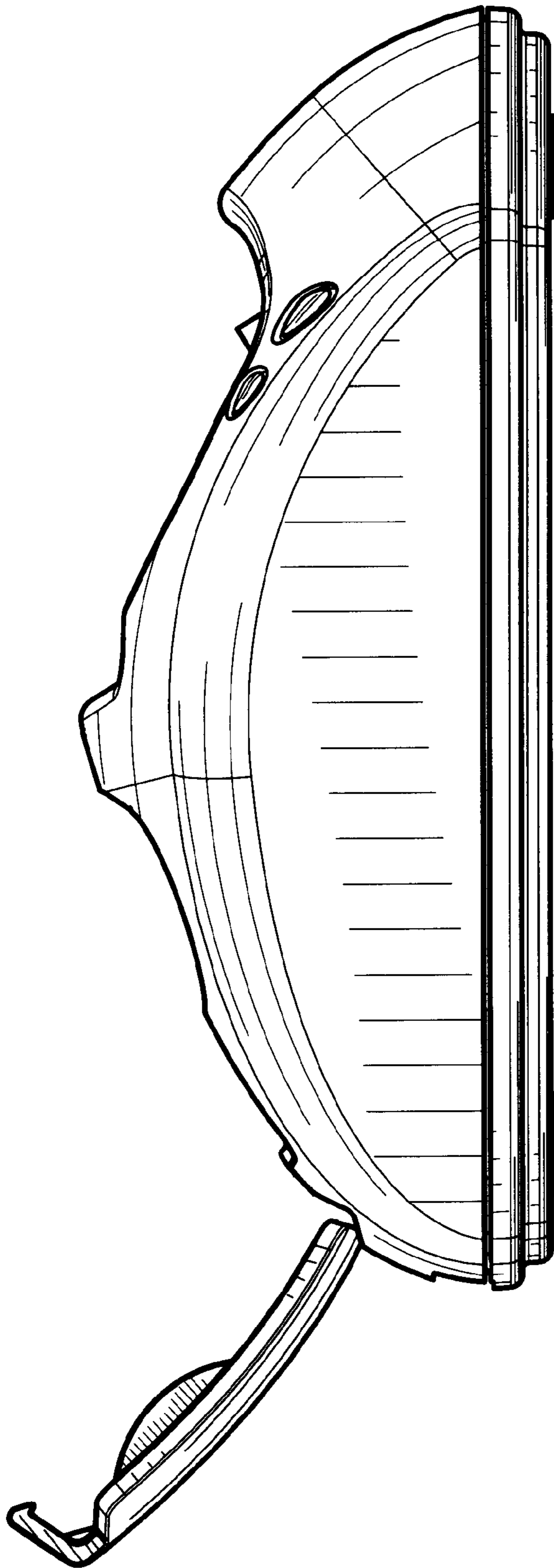


FIG. 11

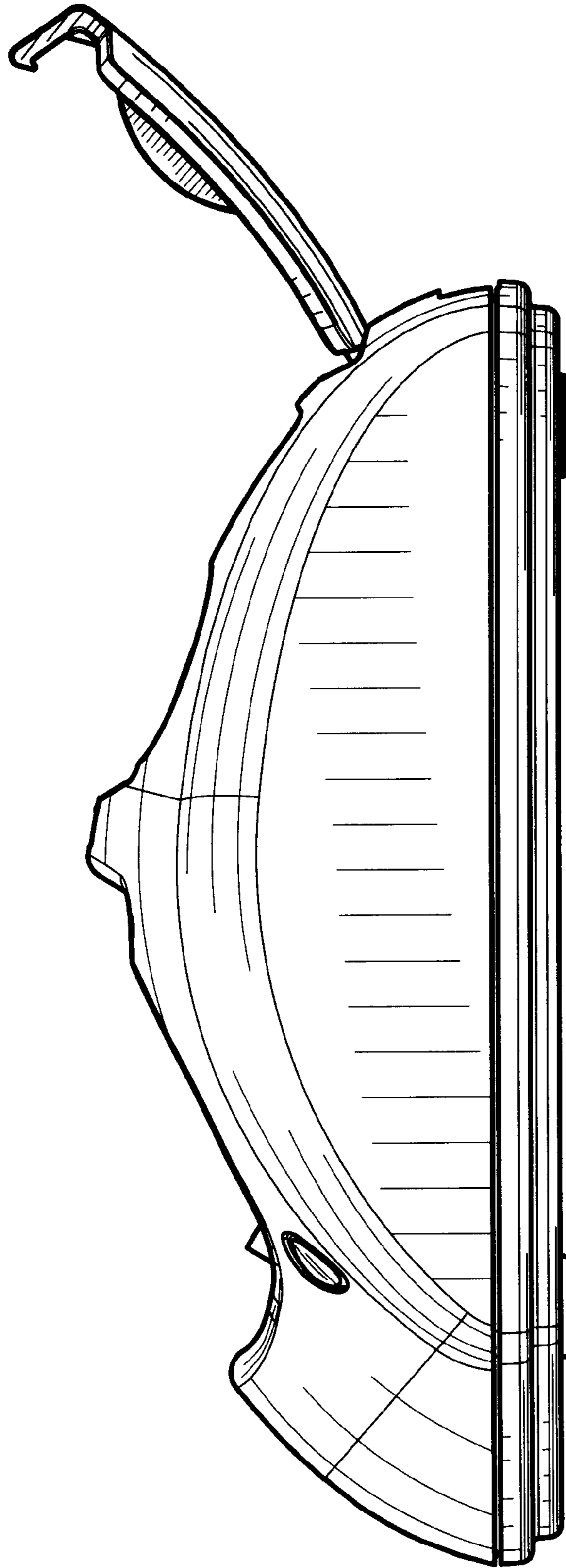


FIG. 12

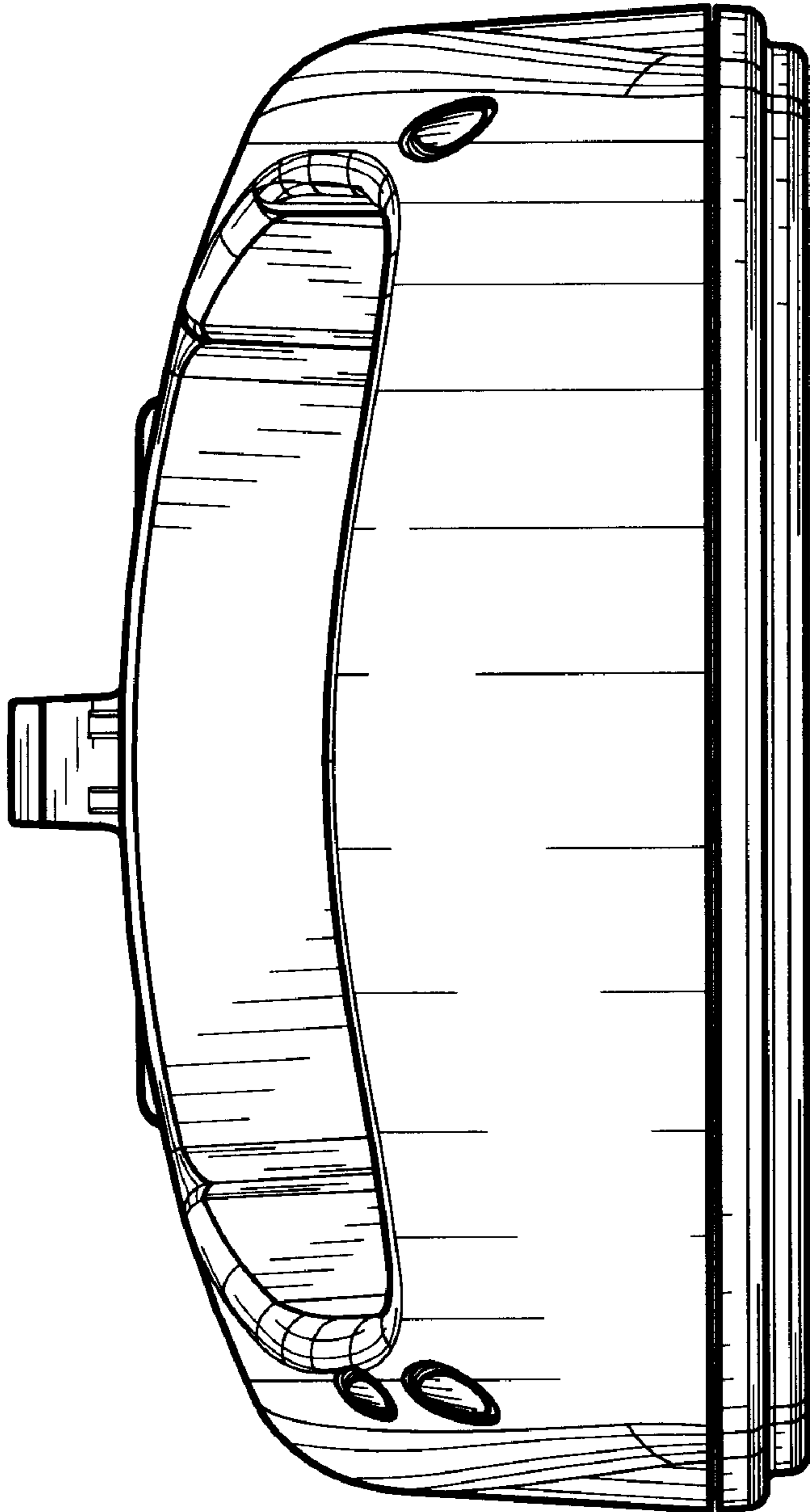


FIG. 13

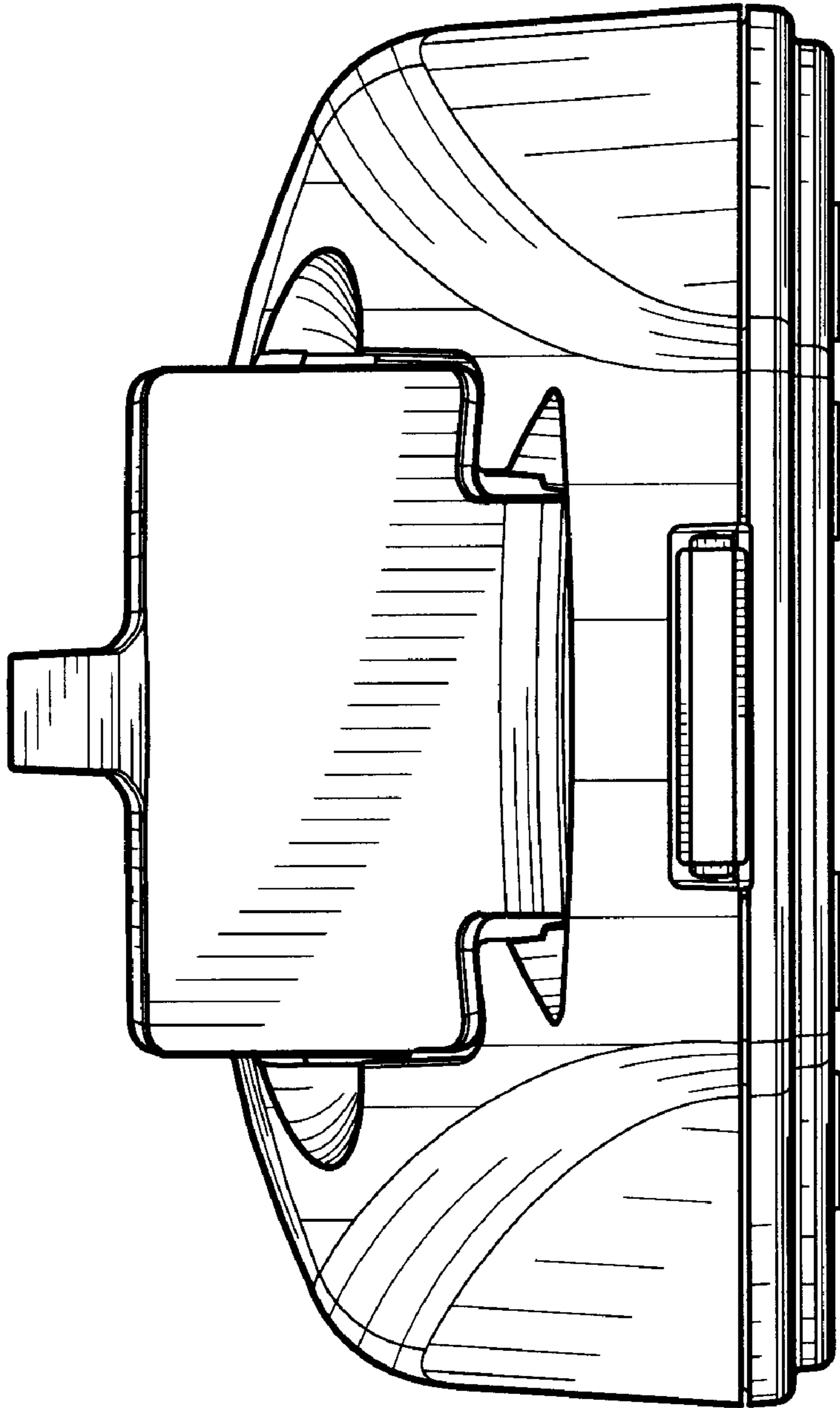


FIG. 14

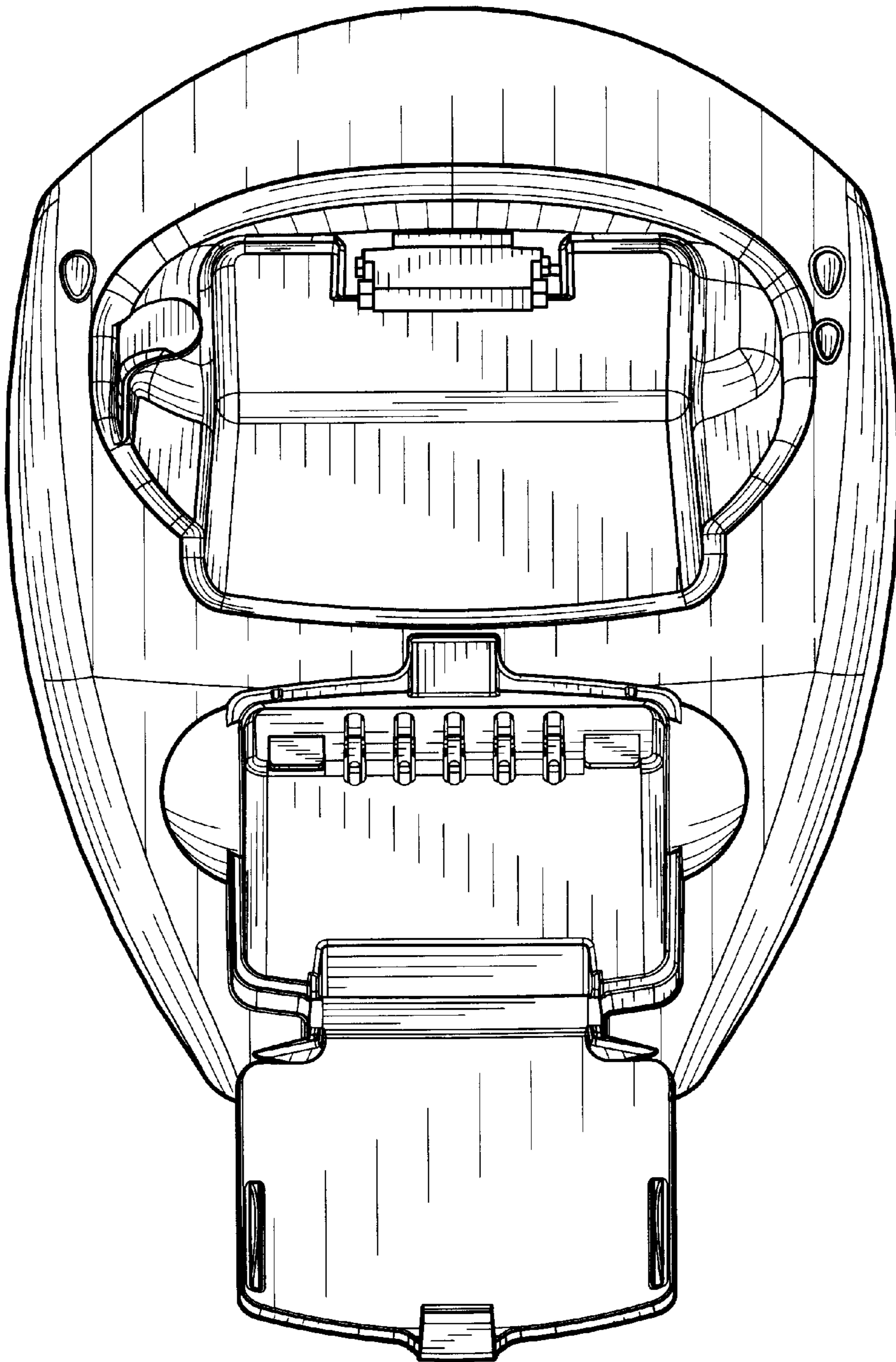


FIG. 15

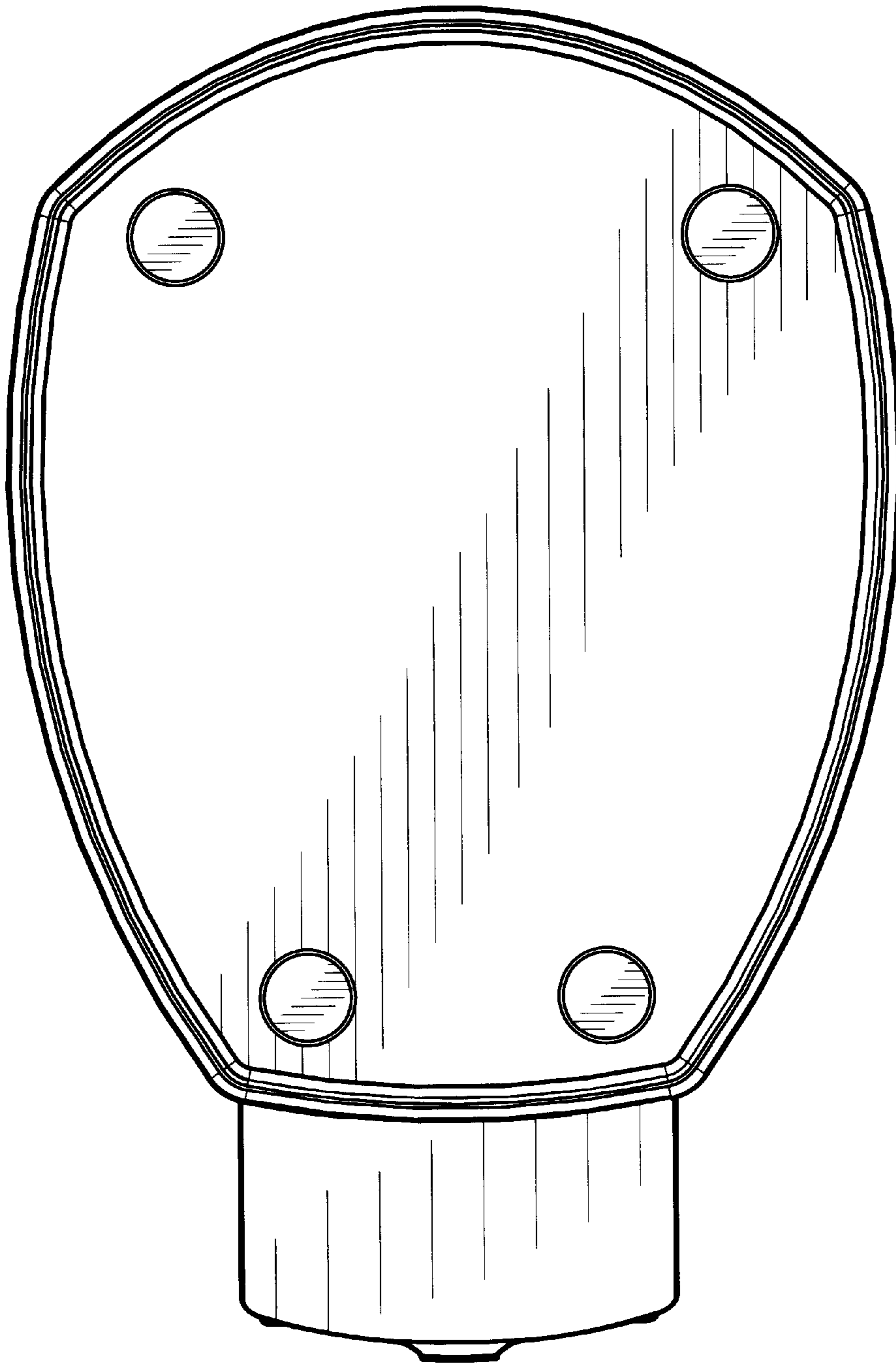


FIG. 16