



US00D427966S

United States Patent [19]

Foster et al.

[11] Patent Number: **Des. 427,966**

[45] Date of Patent: **** Jul. 11, 2000**

[54] **TWO POCKET DESKTOP CHARGER**

[75] Inventors: **Alan Lee Foster**, Lawrenceville; **John Edward Herrmann**, Dacula; **Grant Harries Lloyd**, Lawrenceville, all of Ga.

[73] Assignee: **Motorola, Inc.**, Schaumburg, Ill.

[**] Term: **14 Years**

[21] Appl. No.: **29/109,586**

[22] Filed: **Aug. 18, 1999**

[51] **LOC (7) Cl.** **13-02**

[52] **U.S. Cl.** **D13/107; D13/108**

[58] **Field of Search** **D13/107, 108, D13/118; D14/251, 253; 320/110-115**

[56] **References Cited**

U.S. PATENT DOCUMENTS

D. 368,892 4/1996 Tanaka D13/108

D. 385,252 10/1997 Snyder et al. D13/108
D. 413,097 8/1999 Chang D13/107
D. 414,742 10/1999 Chang D13/107
D. 417,430 12/1999 Ko D13/107
D. 419,956 2/2000 Lucaci et al. D13/108

Primary Examiner—Joel Sincavage
Attorney, Agent, or Firm—Felipe J. Farley; Philip Borrus

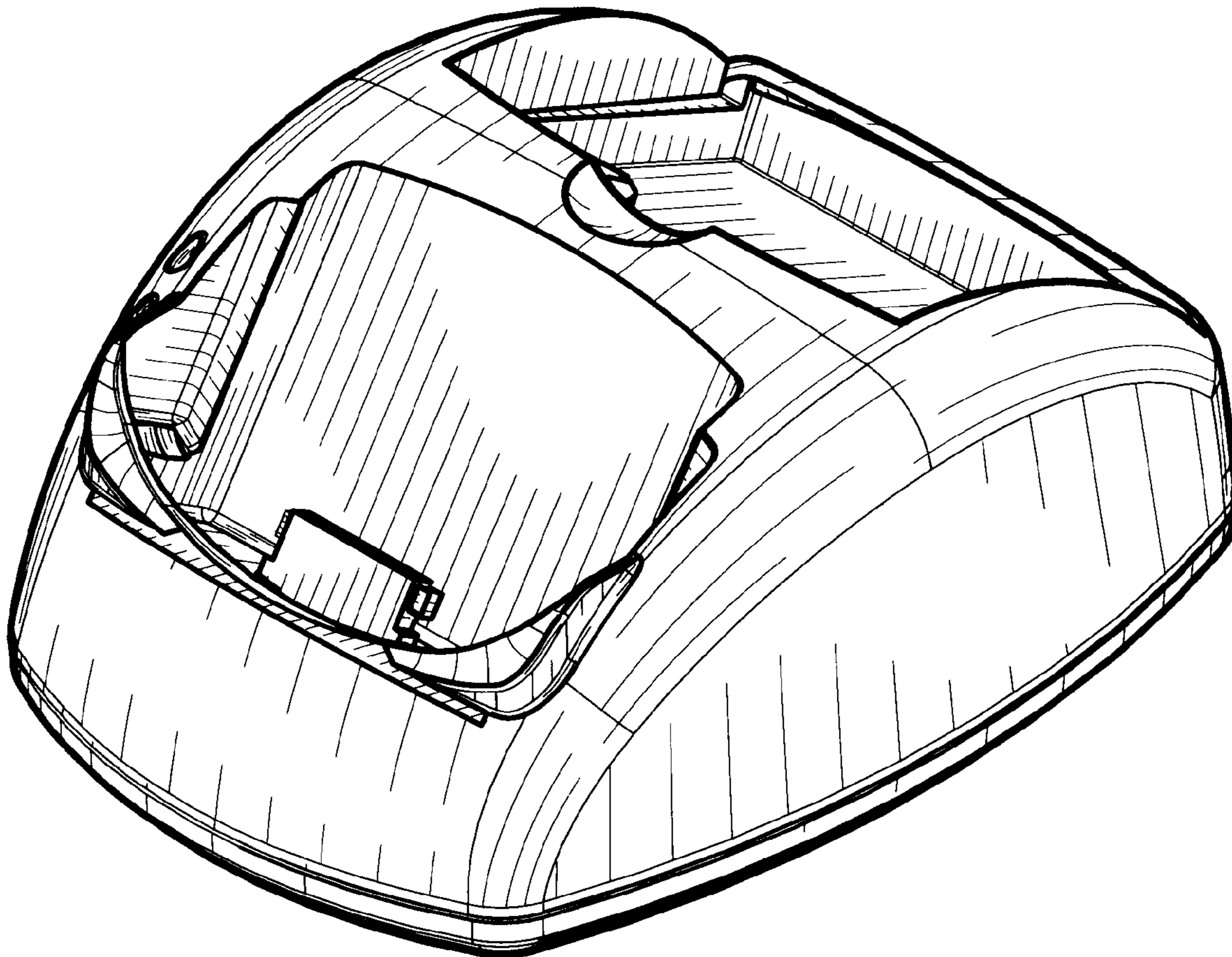
[57] **CLAIM**

The ornamental design for a/an two pocket desktop charger, as shown and described.

DESCRIPTION

FIG. 1 is an isometric view of a charger showing our new design;
FIG. 2 is a right side elevated view thereof;
FIG. 3 is a left side elevated view thereof;
FIG. 4 is a front elevated view thereof;
FIG. 5 is a rear elevated view thereof;
FIG. 6 is a top plan view thereof; and,
FIG. 7 is a bottom plan view thereof.

1 Claim, 5 Drawing Sheets



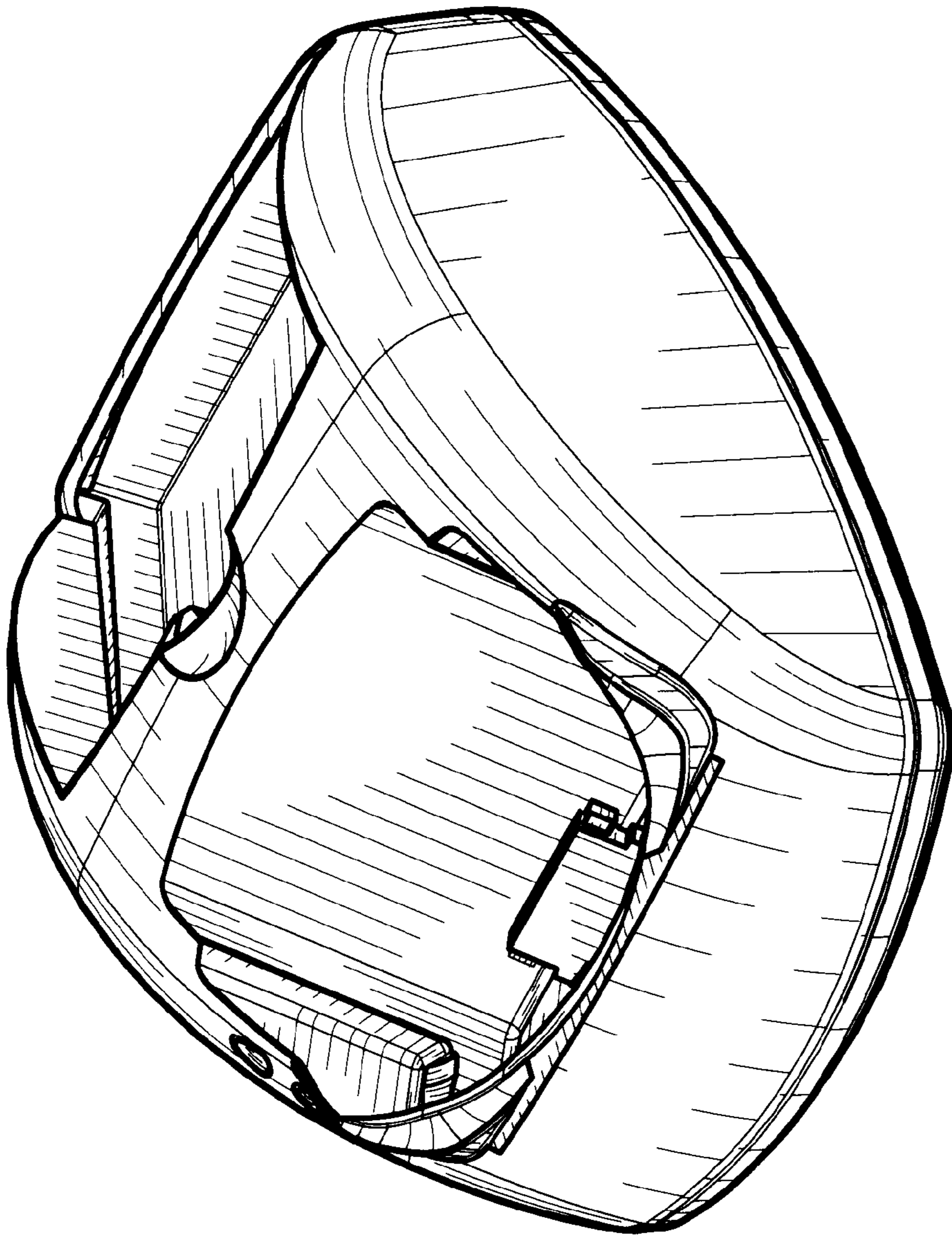


FIG. 1

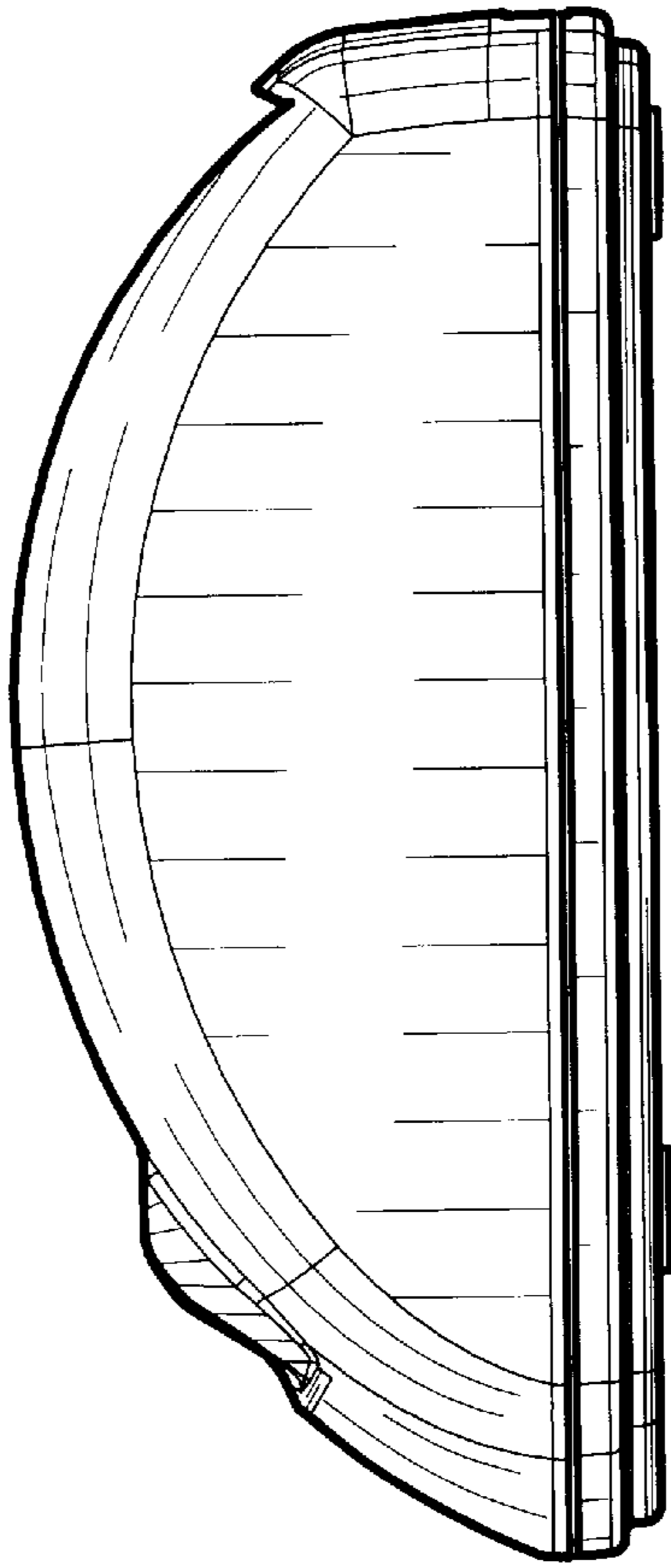


FIG. 3

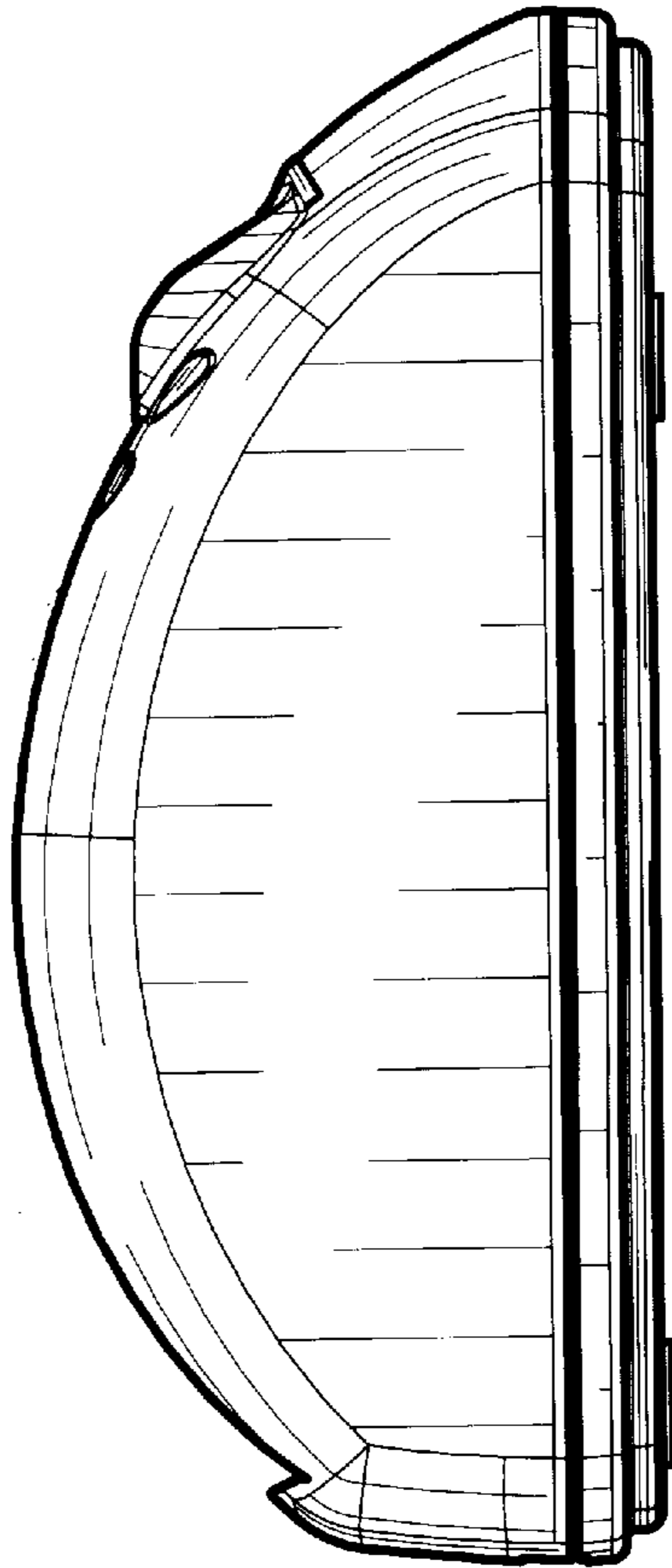


FIG. 2

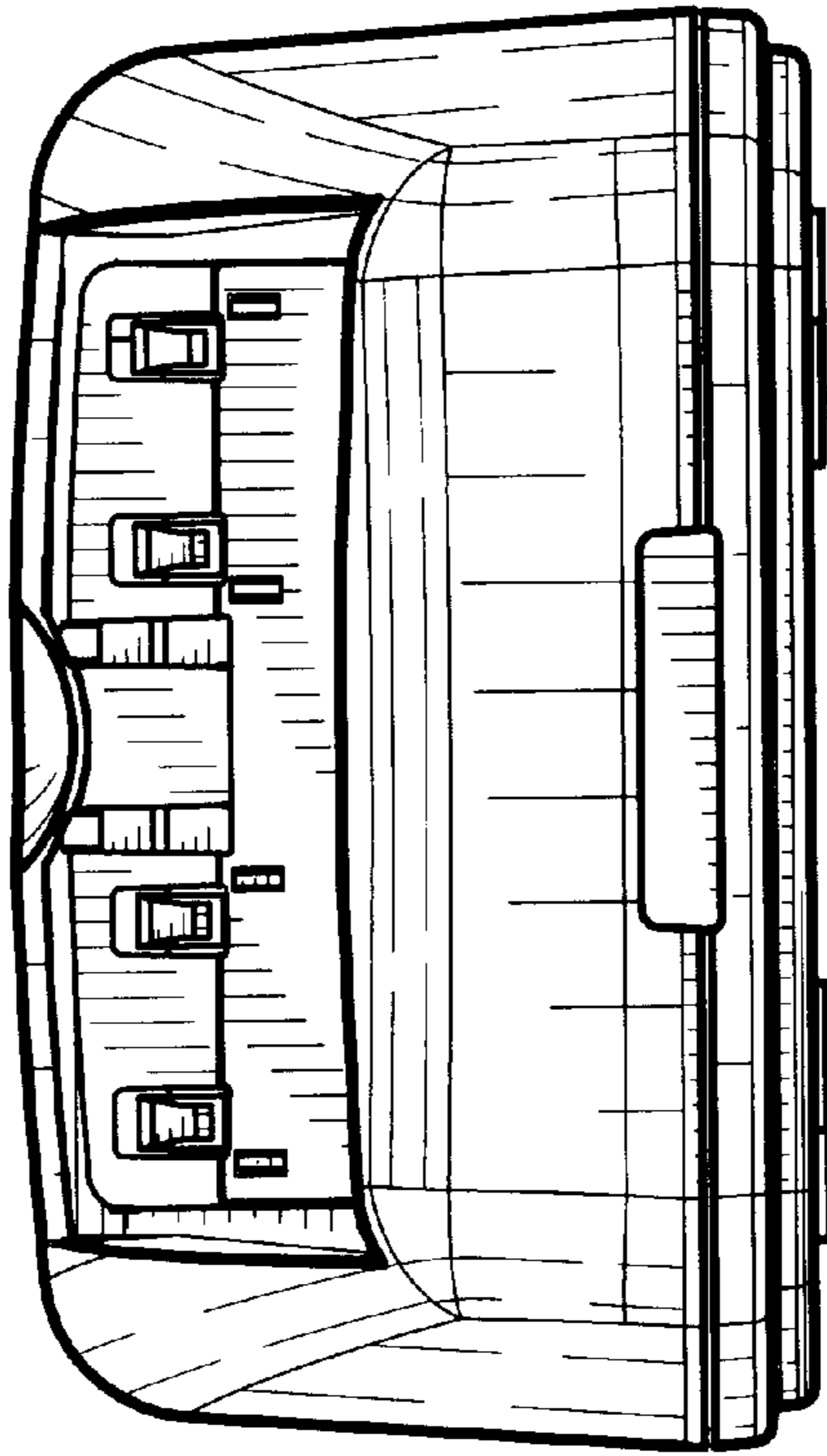


FIG. 5

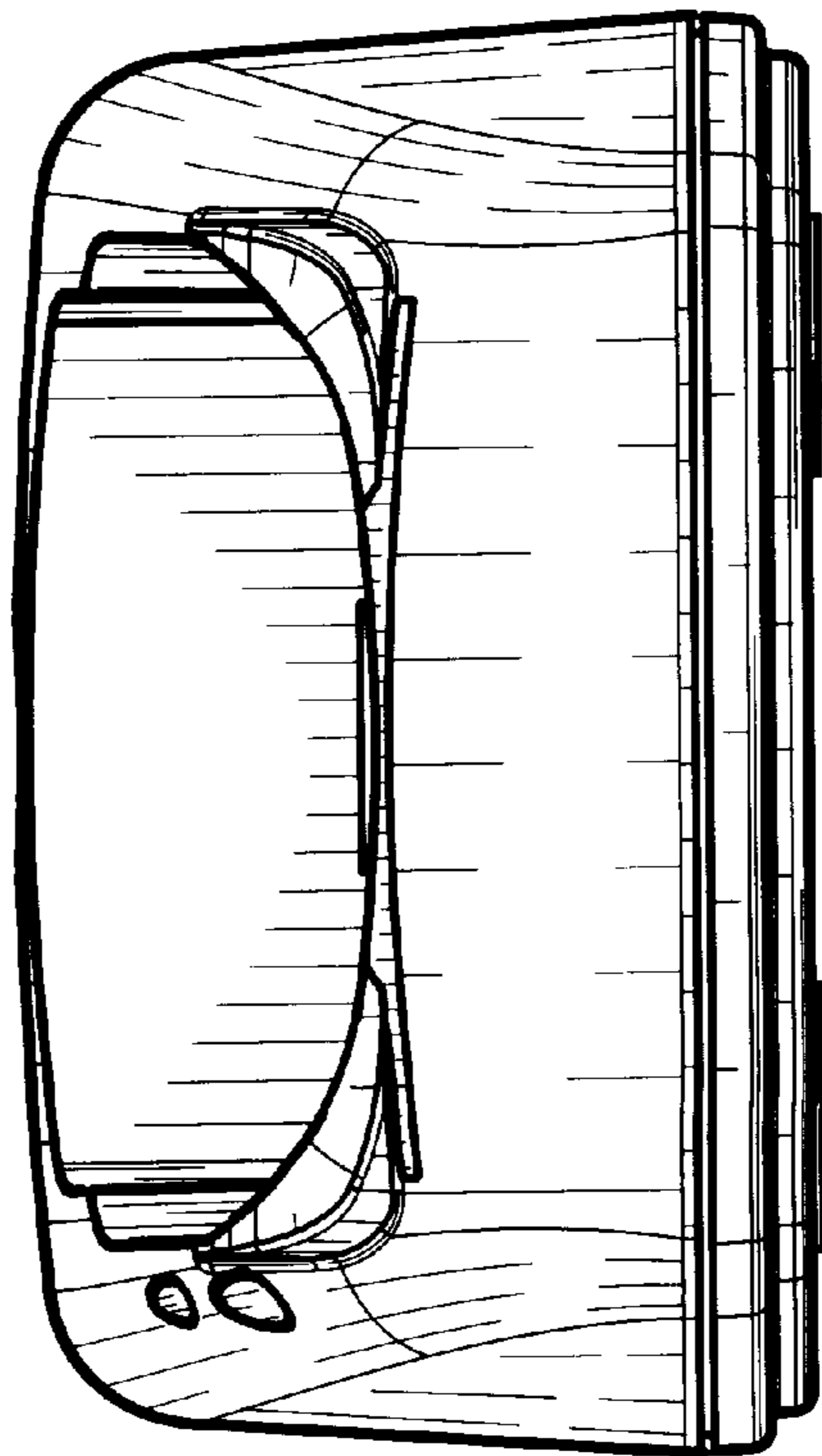


FIG. 4

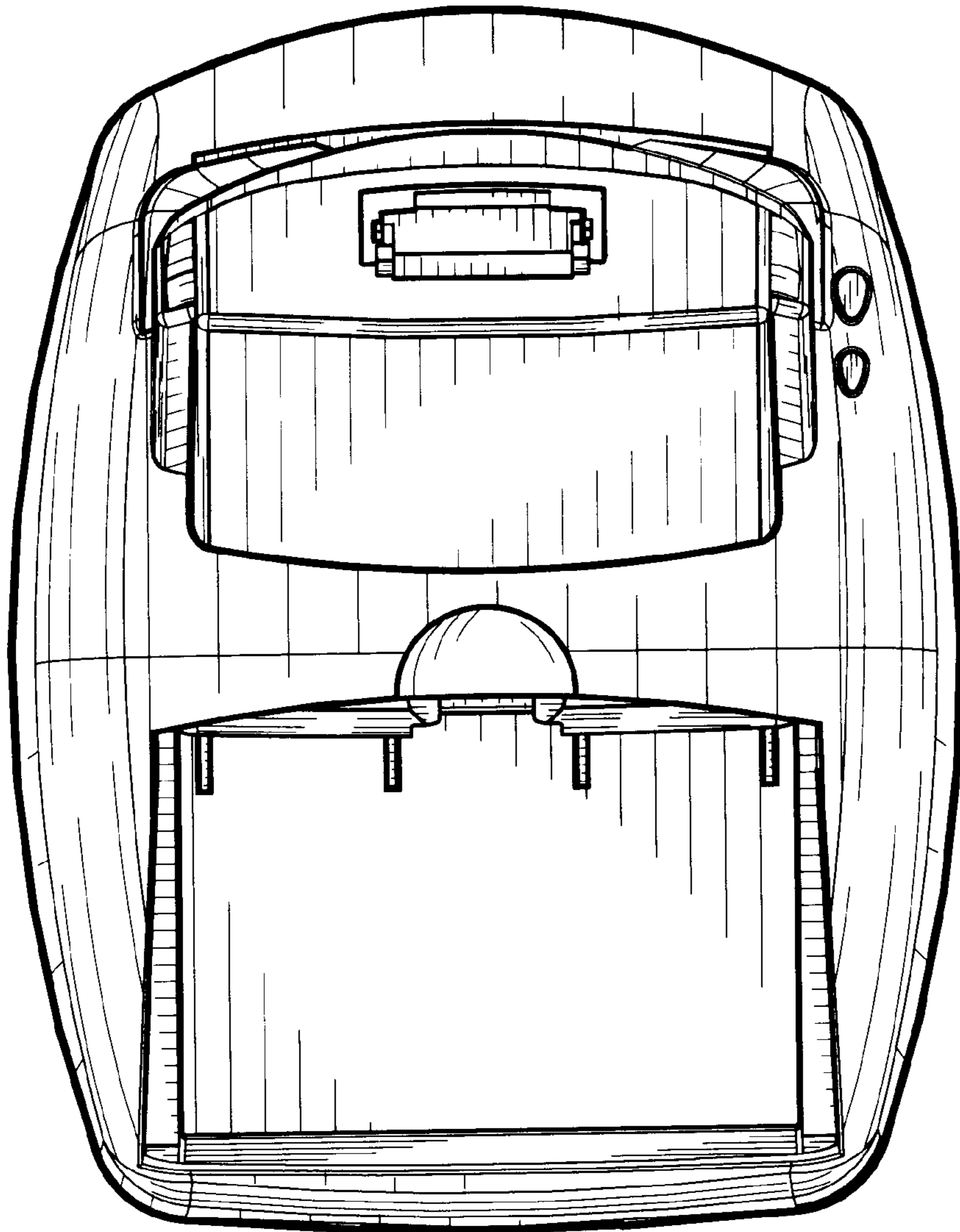


FIG. 6

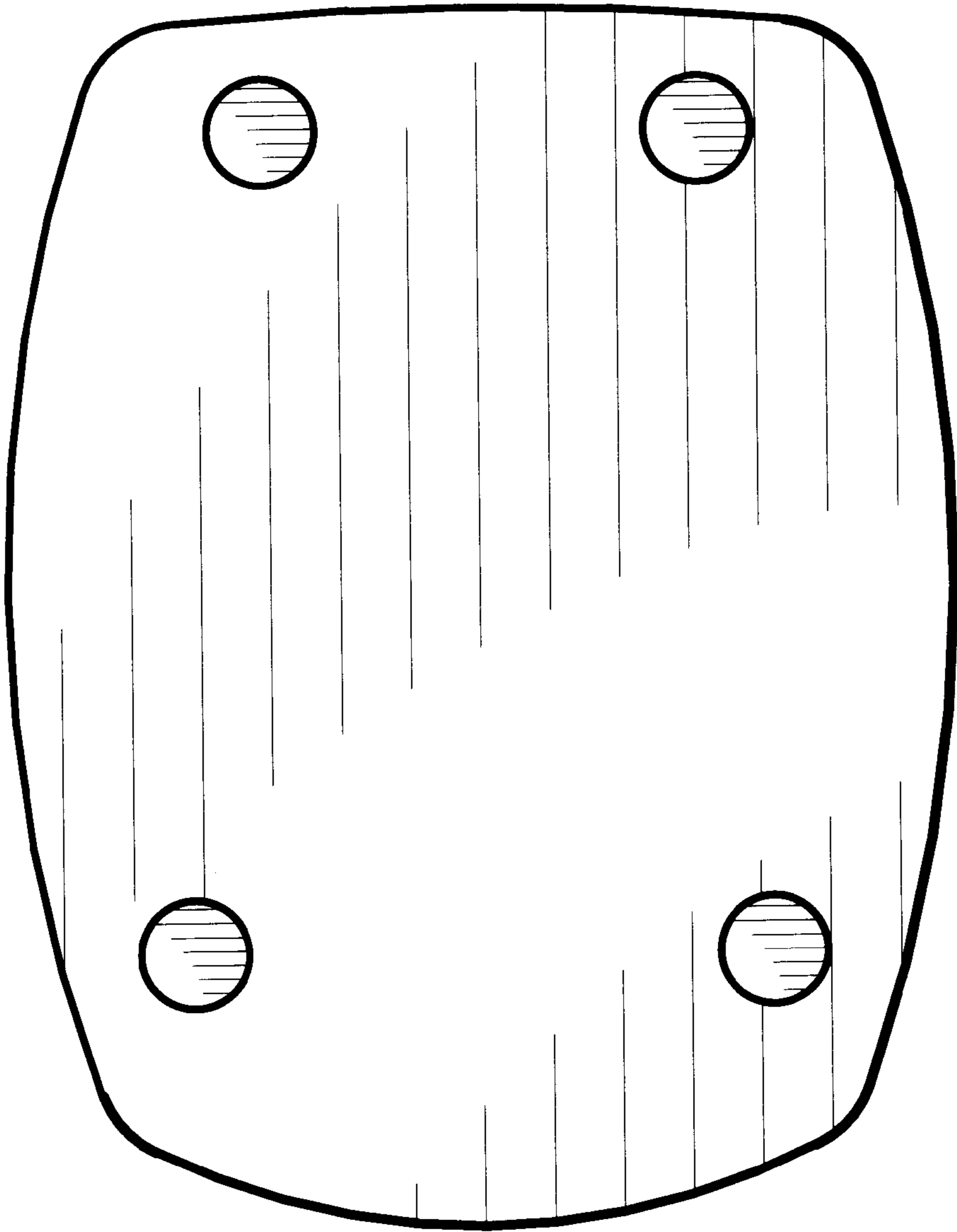


FIG. 7

UNITED STATES PATENT AND TRADEMARK OFFICE
CERTIFICATE OF CORRECTION

PATENT NO : Des. 427,966
DATED : July 11, 2000
INVENTOR(S): Foster et al.

It is certified that error appears in the above-identified patent and that said Letters Patent are hereby corrected as shown below:

Attorney, Agent or Firm column reads "Borrus" should be --Burrus,
IV--.

Signed and Sealed this
Twenty-ninth Day of May, 2001



Attest:

NICHOLAS P. GODICI

Attesting Officer

Acting Director of the United States Patent and Trademark Office