



US00D427961S

United States Patent [19]
Donikoglu

[11] **Patent Number: Des. 427,961**

[45] **Date of Patent: ** Jul. 11, 2000**

[54] **WHEEL**

[75] Inventor: **Melkon A. Donikoglu**, Southfield, Mich.

[73] Assignee: **Ultra Wheel Co.**, Buena Park, Calif.

[**] Term: **14 Years**

[21] Appl. No.: **29/119,221**

[22] Filed: **Feb. 25, 2000**

[51] **LOC (7) Cl.** **12-16**

[52] **U.S. Cl.** **D12/210**

[58] **Field of Search** D12/204-211;
301/37.1, 64.1, 65

D. 252,564	8/1979	Harty, Jr.	D12/210
D. 264,204	5/1982	Bauer	D12/210
D. 264,834	6/1982	Main	D12/210
D. 284,753	7/1986	Hedlund	D12/210
D. 288,312	2/1987	Envall	D12/210
D. 361,975	9/1995	Weld	D12/210

Primary Examiner—Stacia Cadmus
Attorney, Agent, or Firm—Pretty, Schroeder & Poplawski, P.C.

[57] **CLAIM**

The ornamental design for a wheel, as shown and described.

DESCRIPTION

FIG. 1 is a perspective view of a wheel showing my new design;

FIG. 2 is a reduced front elevational view thereof; and, FIG. 3 is a cross-sectional view thereof taken along the line 3—3 in FIG. 2.

The broken line disclosure in FIGS. 1-3 is for illustrative purposes only and forms no part of the claimed design.

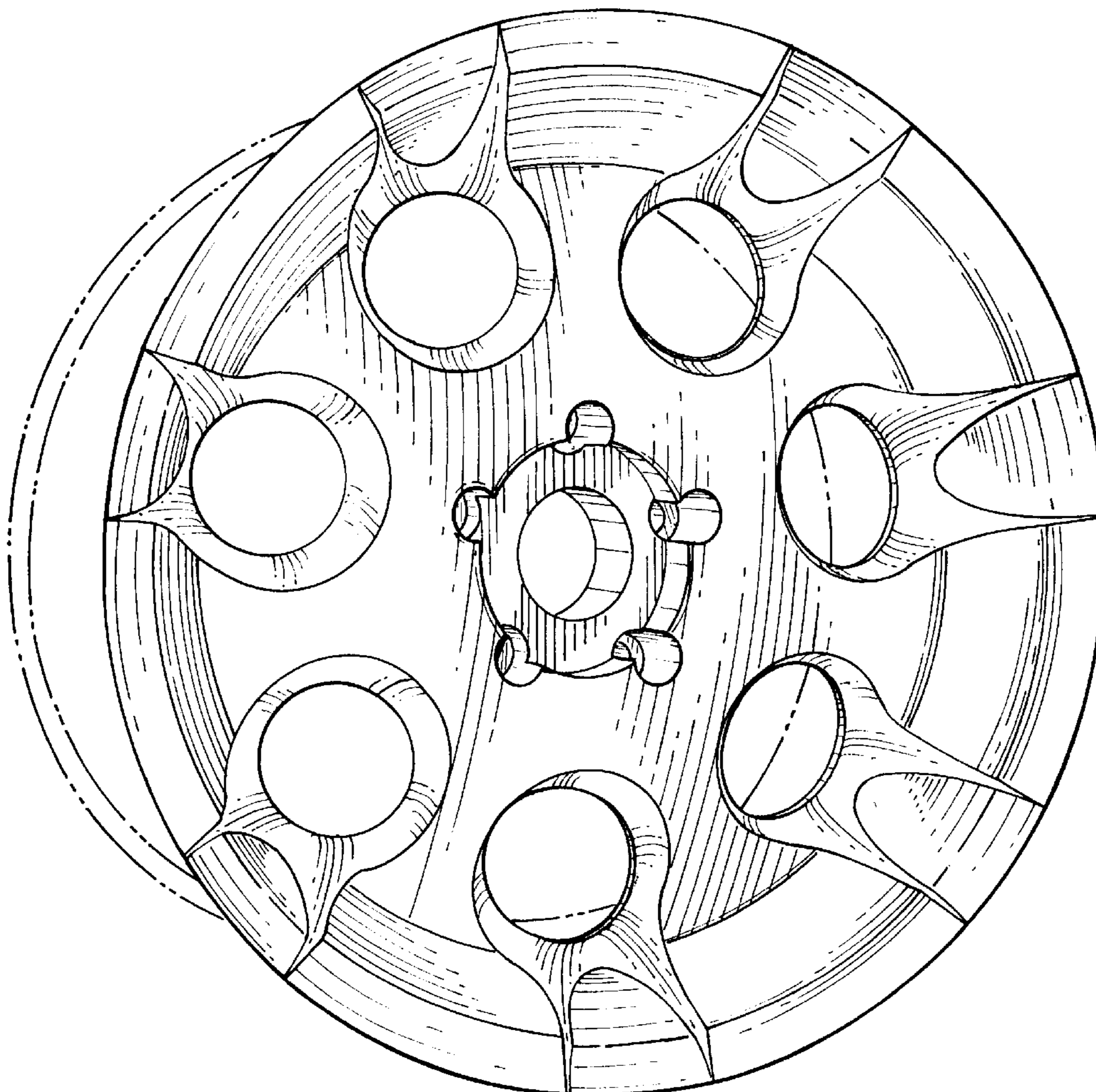
The rear of the wheel forms no part of the claimed design.

[56] **References Cited**

U.S. PATENT DOCUMENTS

D. 103,779	3/1937	Hunt	D12/210
D. 108,775	3/1938	Burger	D12/210
D. 194,099	11/1962	Walsh	D12/210
D. 196,789	11/1963	Pyshe	D12/210
D. 206,709	1/1967	Reid	D12/210
D. 214,243	5/1969	Reid	D12/210

1 Claim, 3 Drawing Sheets



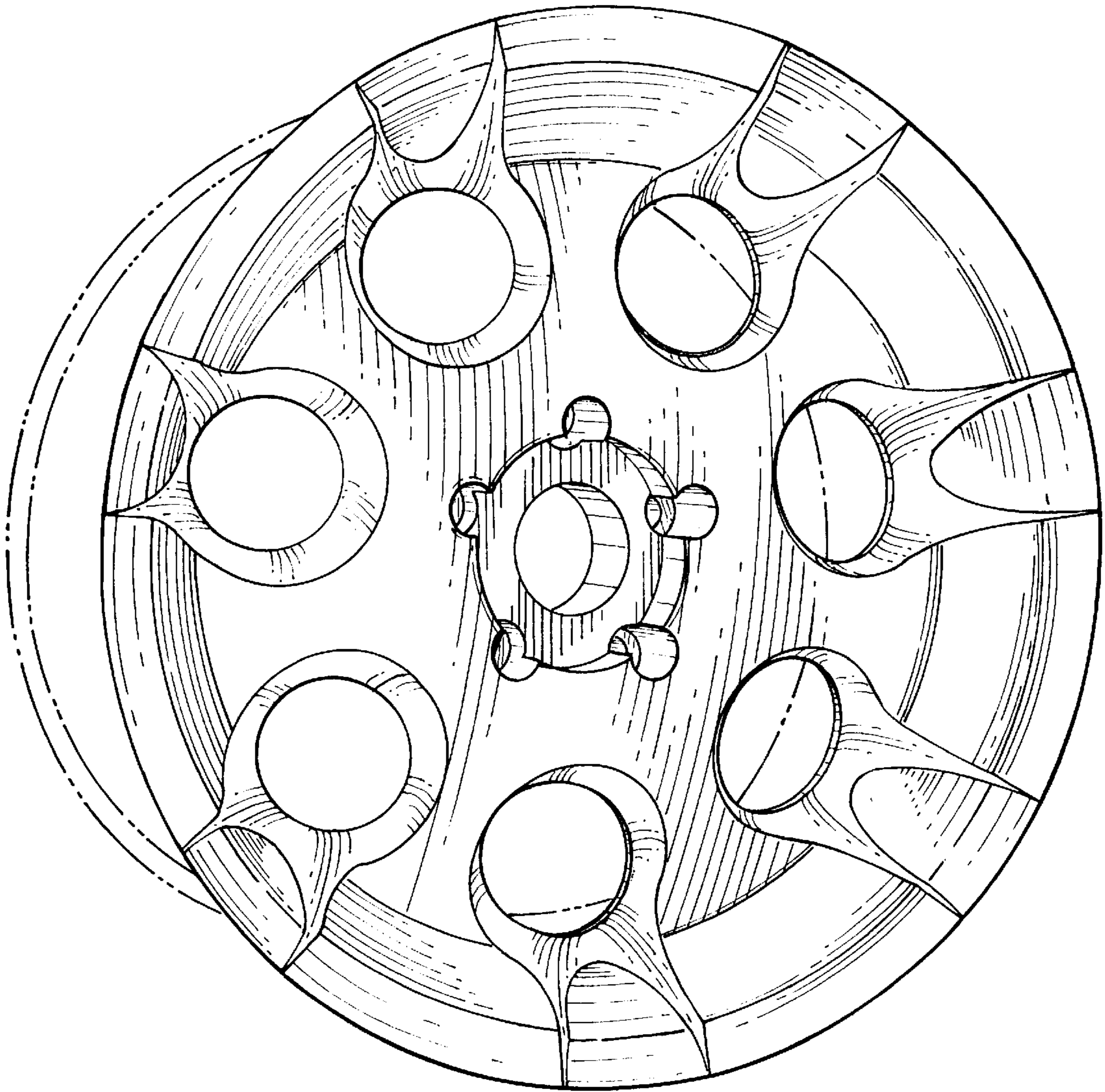
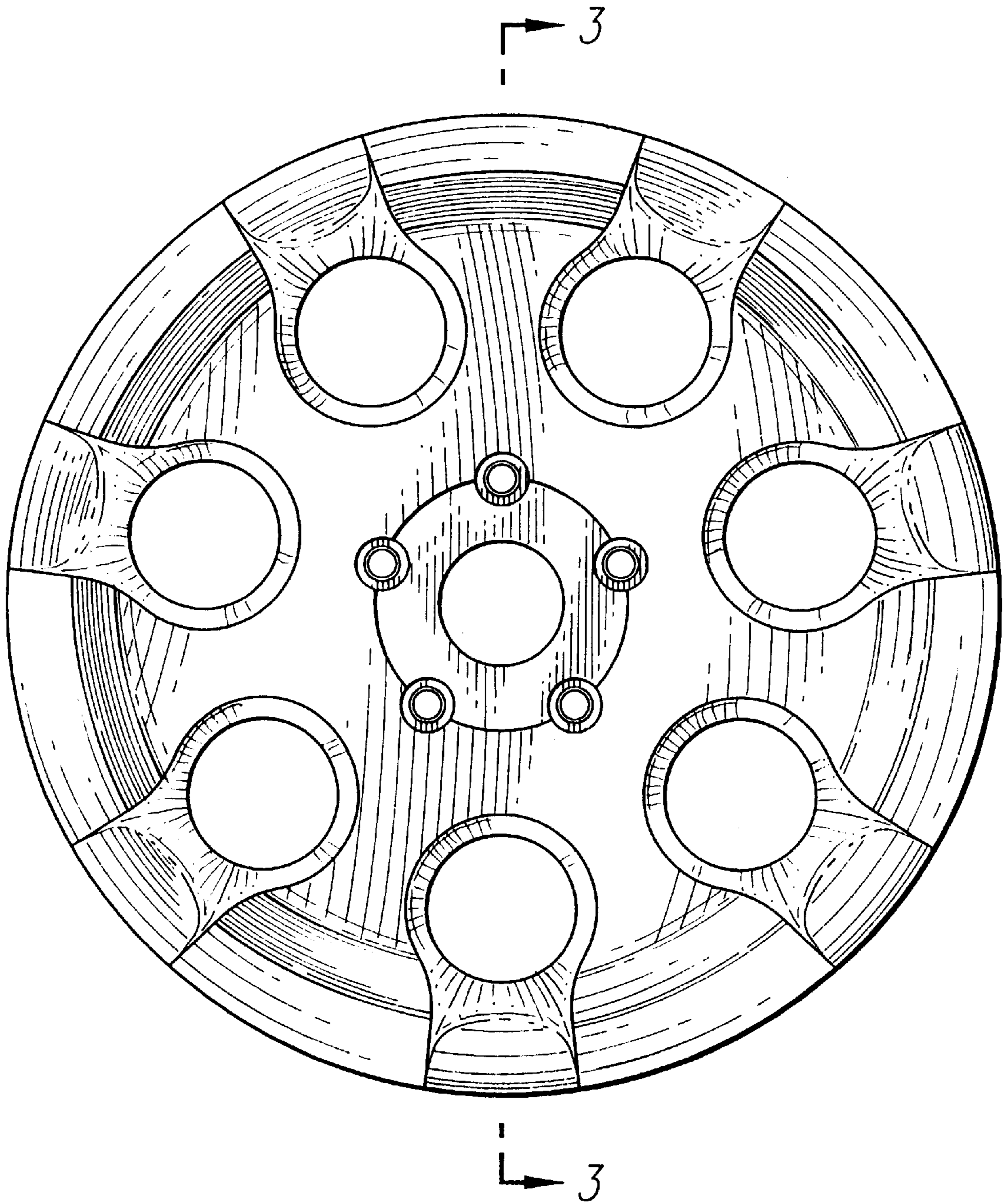


FIG. 1

FIG. 2



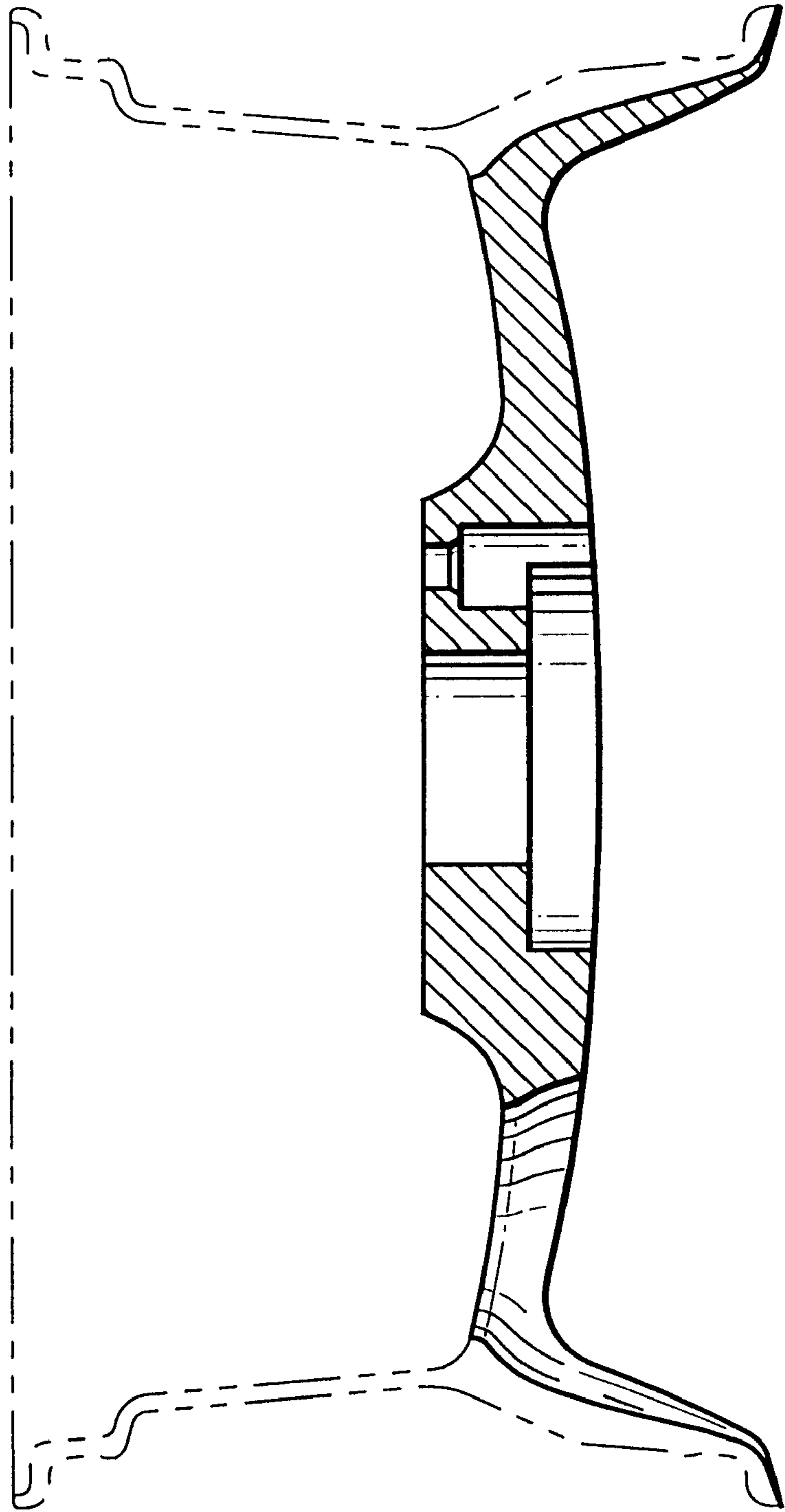


FIG. 3