



US00D427958S

United States Patent [19] Corner

[11] Patent Number: **Des. 427,958**

[45] Date of Patent: **** Jul. 11, 2000**

[54] AIR FLOW DIRECTOR

5,435,616	7/1995	Corner	296/180.1
5,498,058	3/1996	Kuo	296/180.1
5,743,589	4/1998	Felker	296/180.1

[75] Inventor: **Craig S. Corner**, Plymouth, Mass.

[73] Assignee: **Armatron International Inc.**, Melrose, Mass.

Primary Examiner—Mitchell Siegel
Attorney, Agent, or Firm—Samuels, Gauthier & Stevens

[**] Term: **14 Years**

[57] **CLAIM**

[21] Appl. No.: **29/103,975**

The ornamental design for an air flow director, as shown and described.

[22] Filed: **Apr. 26, 1999**

DESCRIPTION

[51] **LOC (7) Cl.** **12-16**

[52] **U.S. Cl.** **D12/181**

[58] **Field of Search** D23/387; D12/181,
D12/412, 413; 296/180.1, 37.6, 50

FIG. 1 is a front perspective view of an air flow director, showing my new design;

FIG. 2 is a front elevational view;

FIG. 3 is a right side view, the opposite side being the mirror image thereof;

FIG. 4 is a top plan view thereof;

FIG. 5 is a back view thereof; and,

FIG. 6 is a perspective view thereof on a reduced scale mounted at the rear of a pickup truck bed.

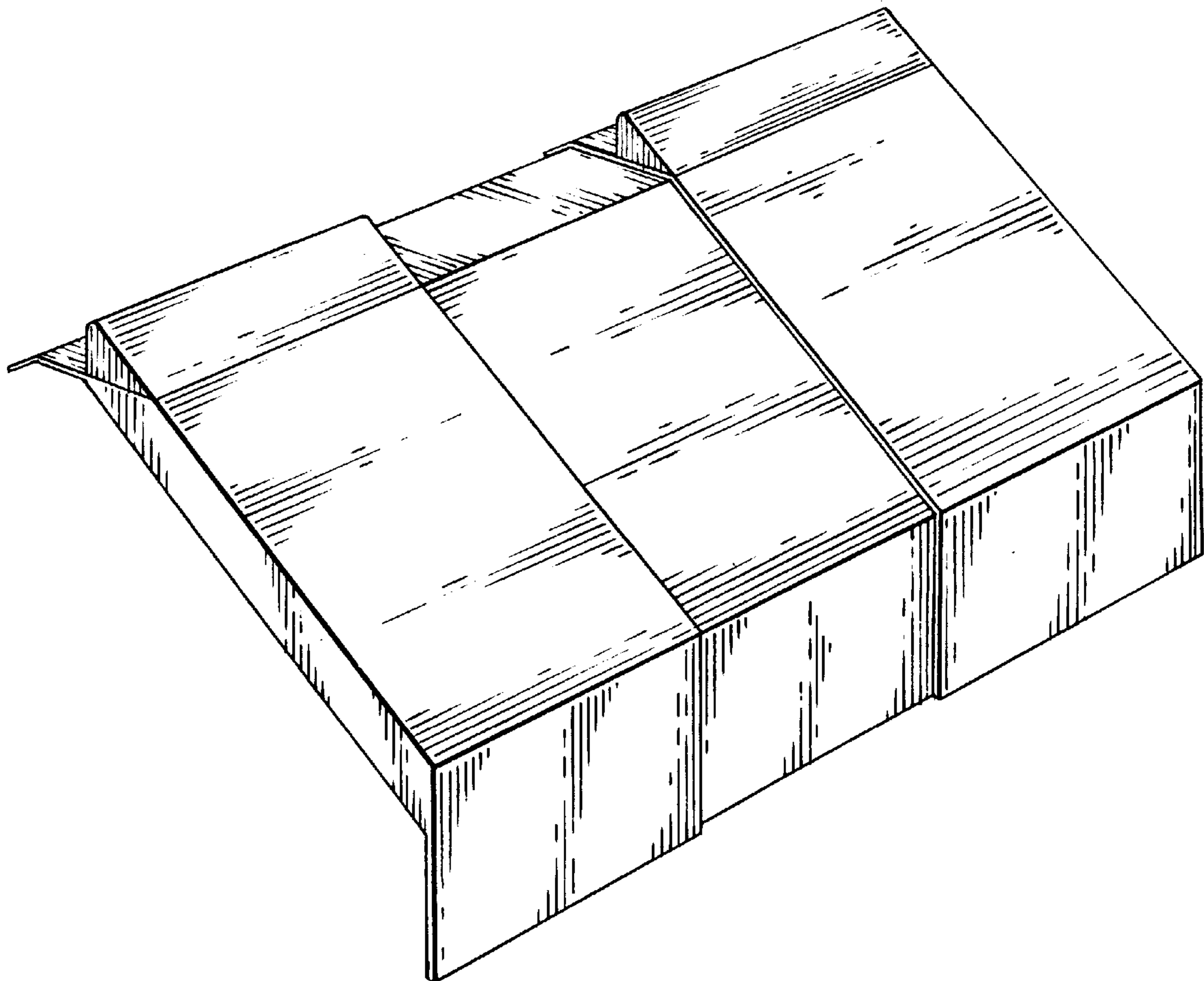
The broken lines in FIGS. 5 and 6 are for illustrative purposes only and form no part of the claimed design.

[56] **References Cited**

U.S. PATENT DOCUMENTS

D. 296,312	6/1988	Arnold	D12/181
D. 305,017	12/1989	Lund	D12/181
D. 382,843	8/1997	Drouin	D12/181
D. 384,317	9/1997	Jahnke	D12/181
D. 415,085	10/1999	Fitzgerald et al.	D12/181
4,506,870	3/1985	Penn	296/180.1

1 Claim, 4 Drawing Sheets



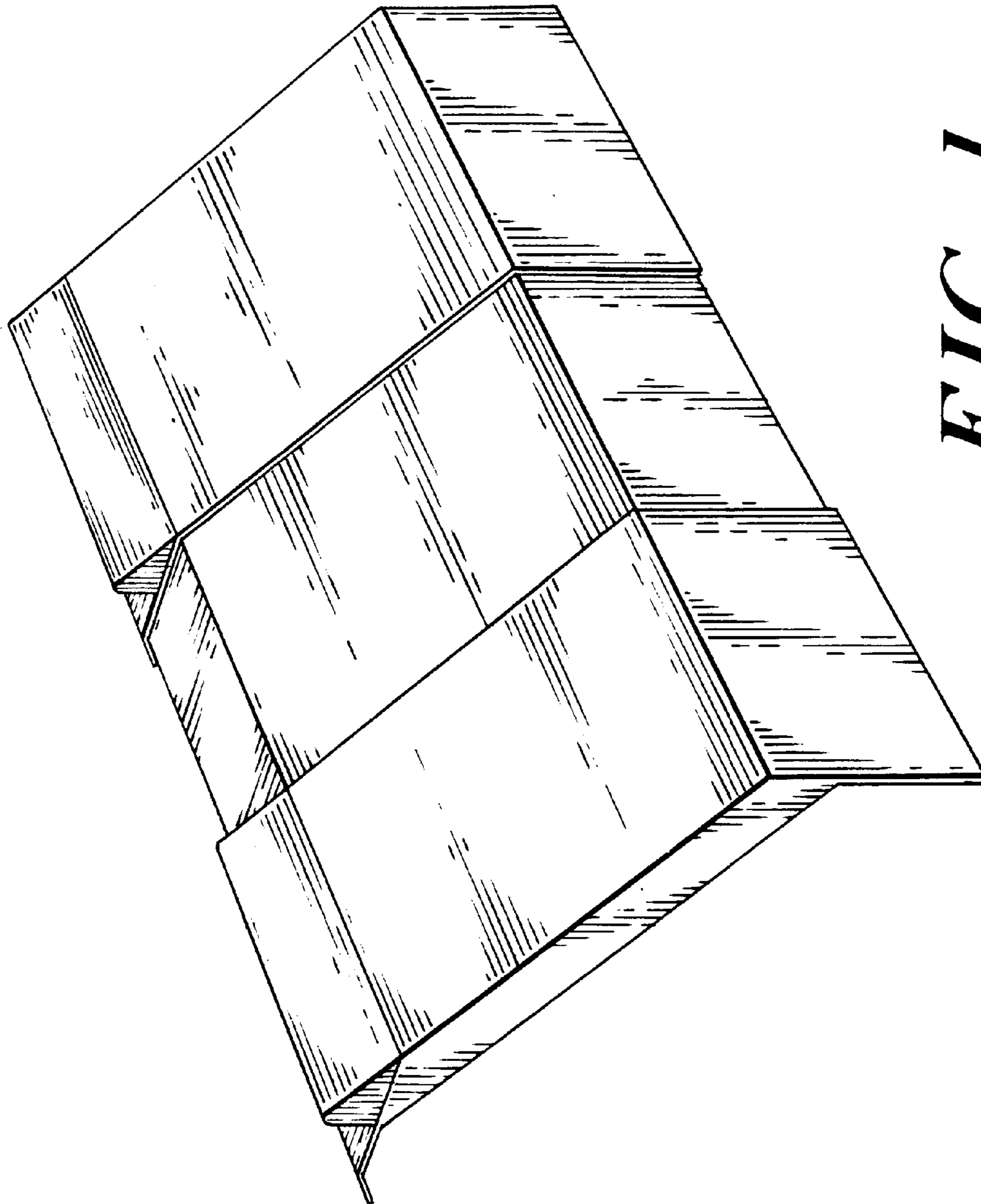


FIG. 1

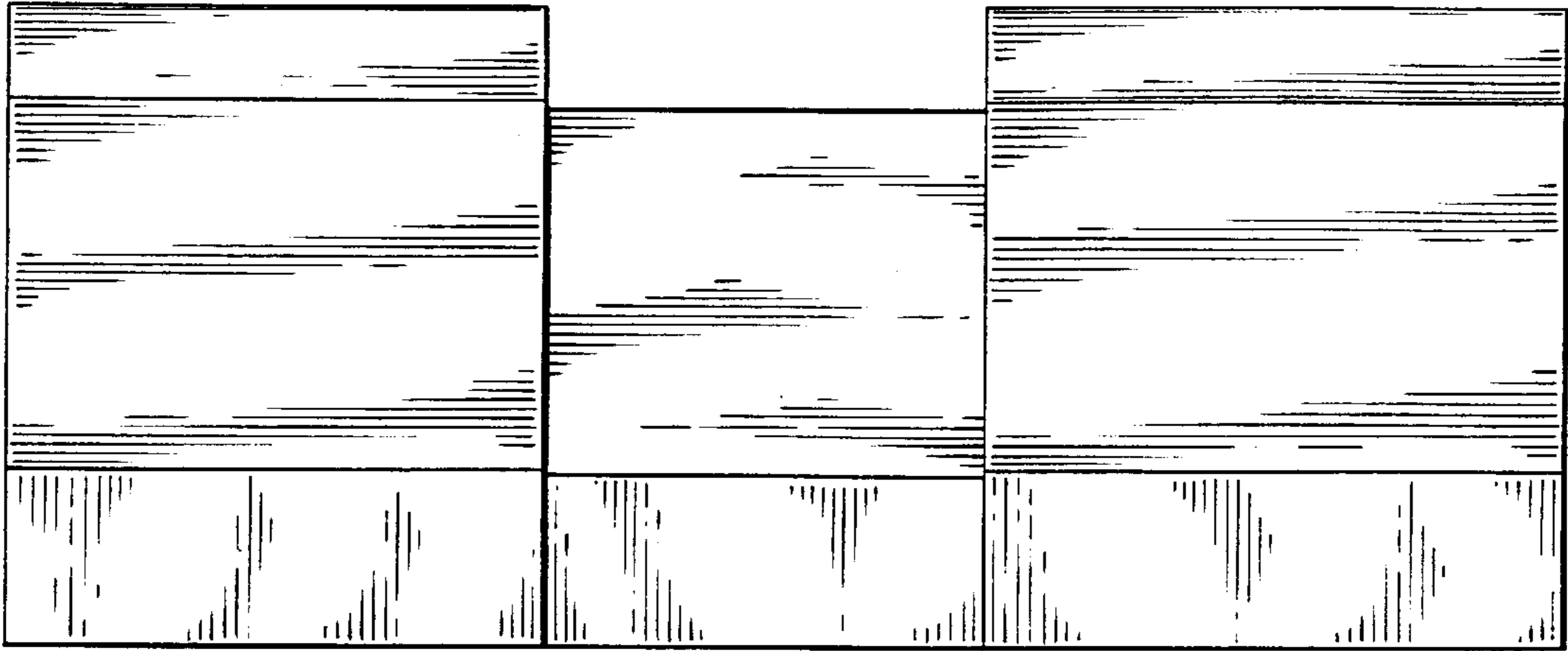


FIG. 2

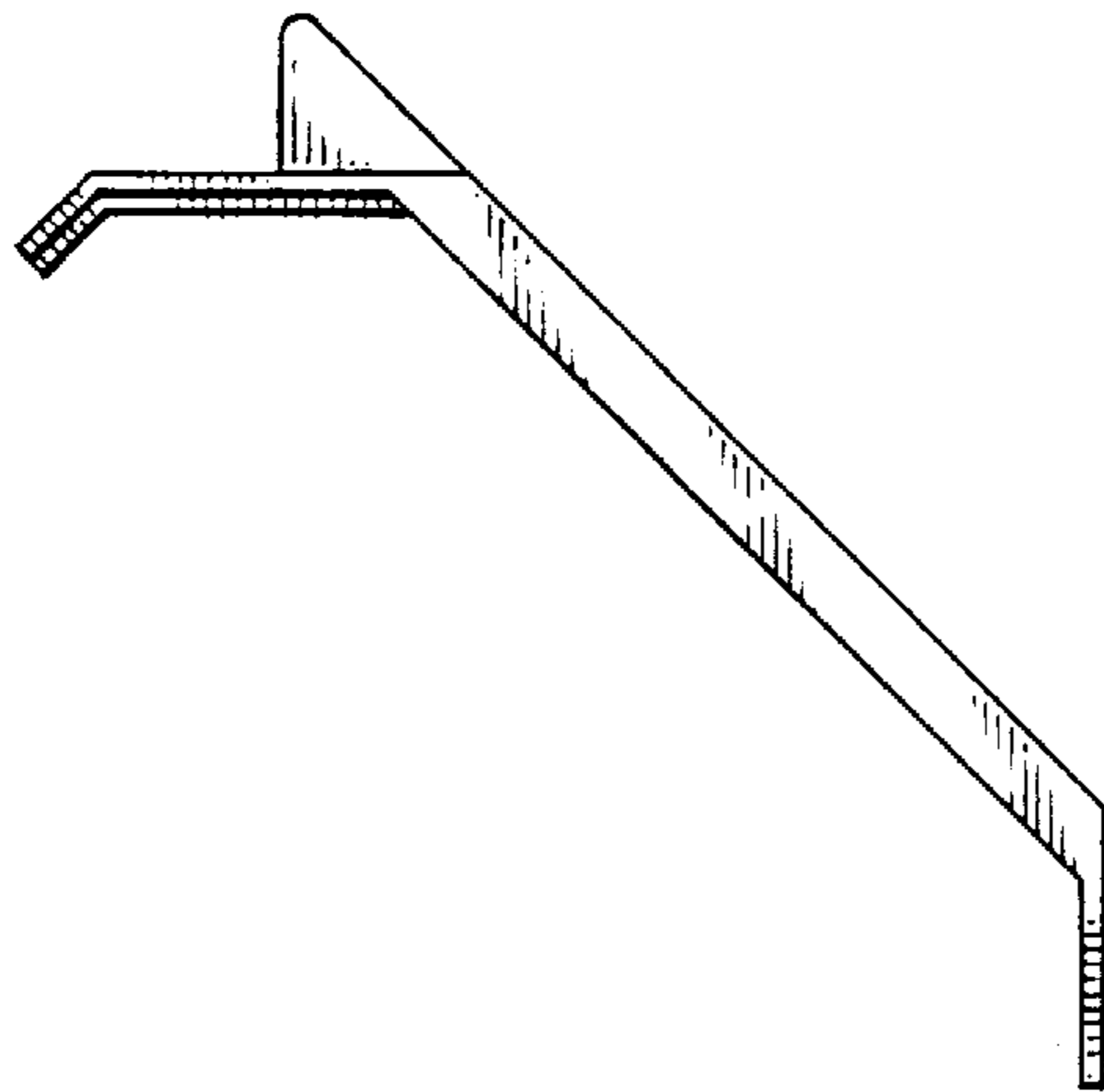


FIG. 3

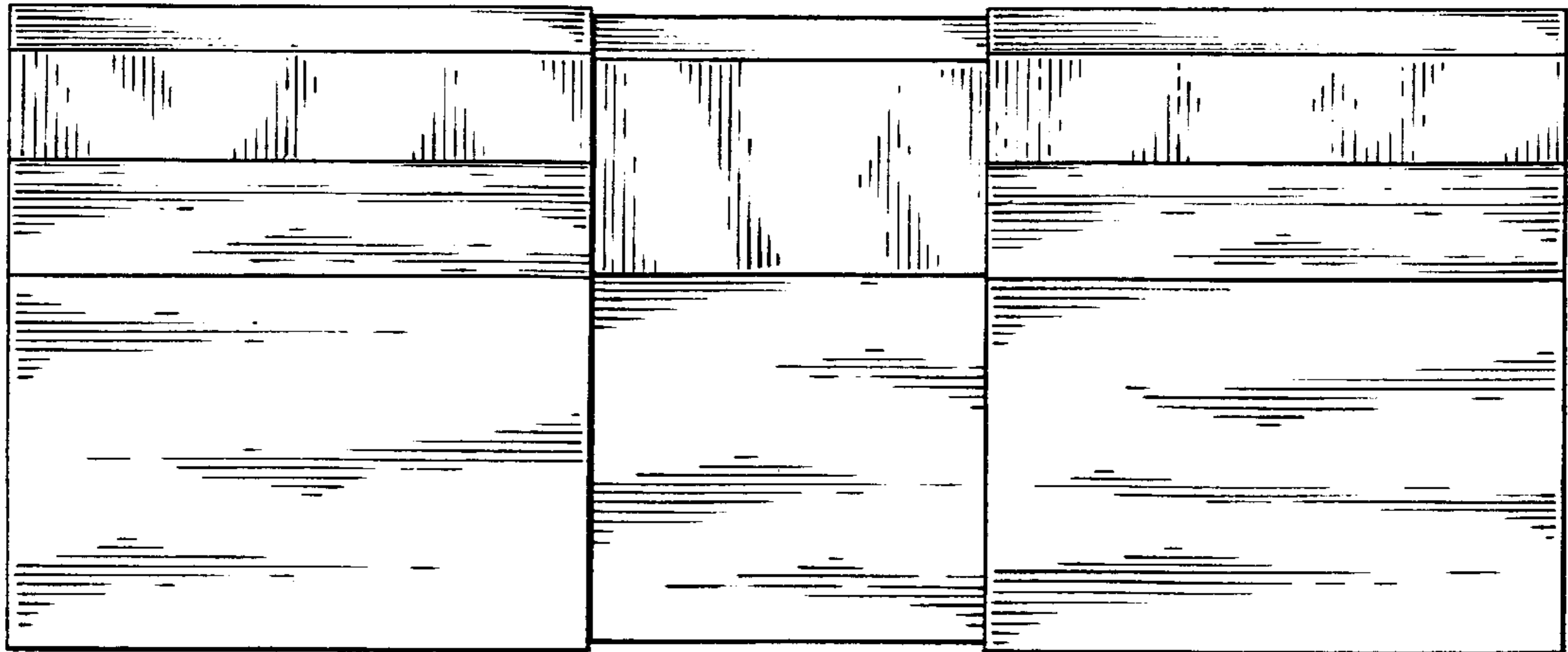


FIG. 4

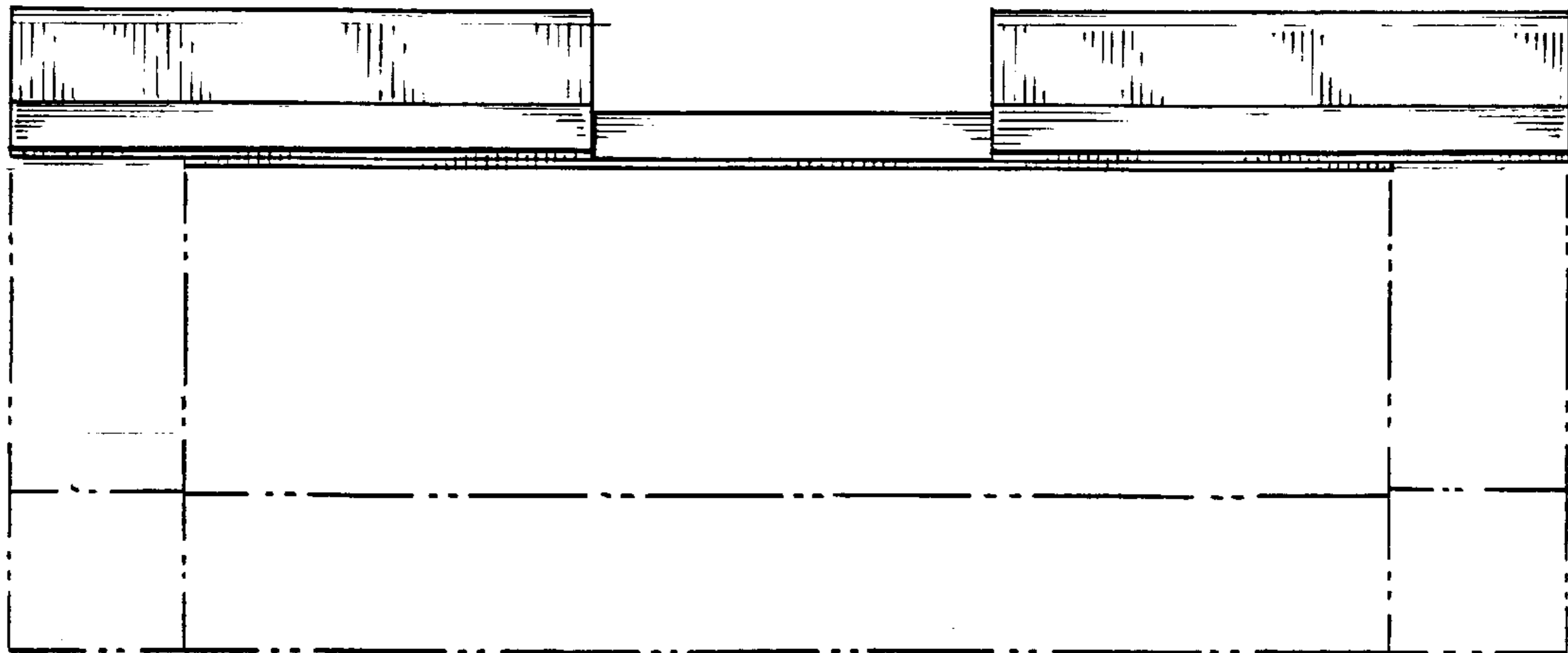


FIG. 5

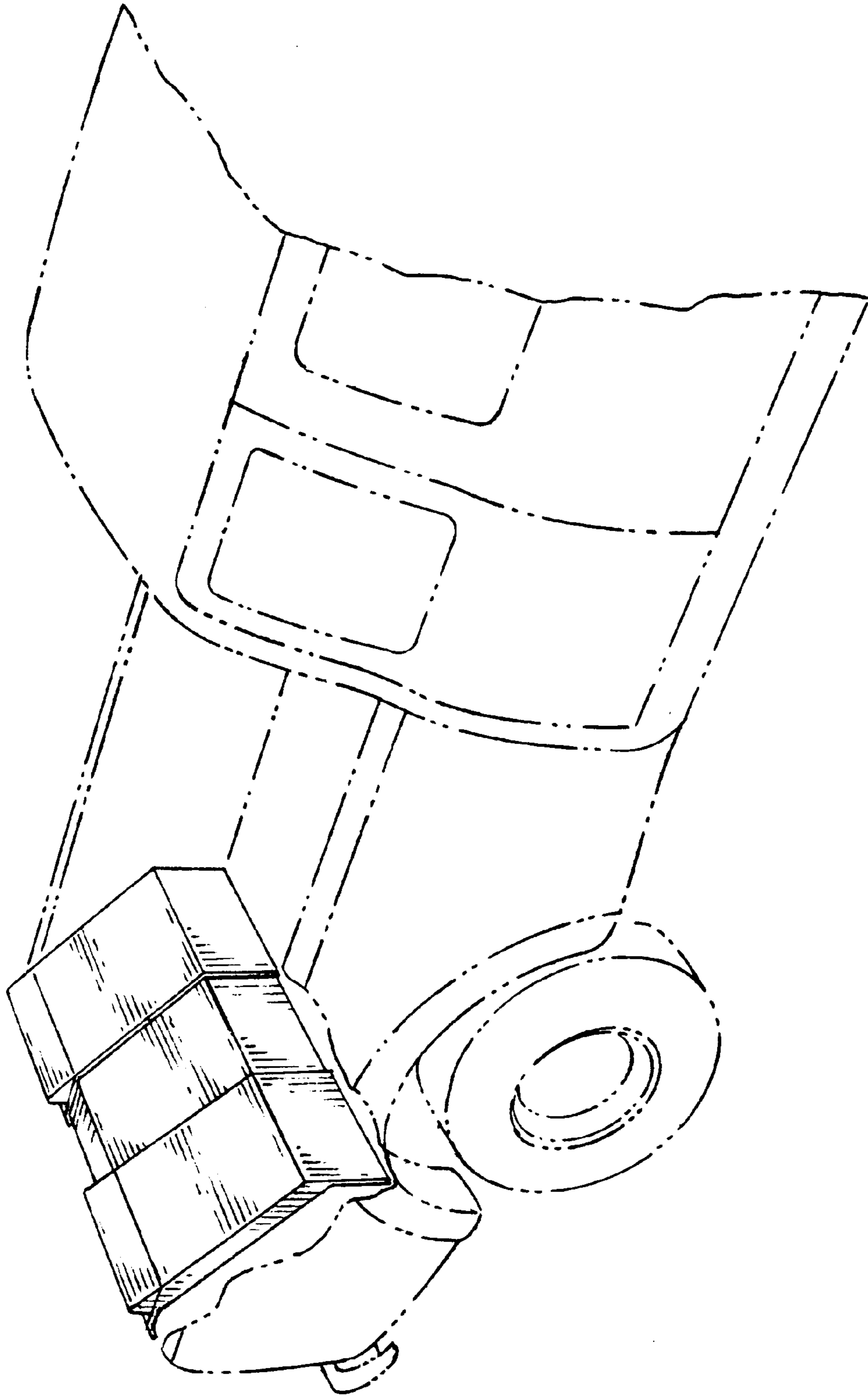


FIG. 6